



US00D719003S

(12) **United States Design Patent**
Neeley

(10) **Patent No.:** **US D719,003 S**
(45) **Date of Patent:** **** Dec. 9, 2014**

- (54) **PRYBAR**
- (76) Inventor: **C. Milton Neeley**, Hooper, UT (US)
- (**) Term: **14 Years**
- (21) Appl. No.: **29/429,852**
- (22) Filed: **Aug. 17, 2012**
- (51) **LOC (10) Cl.** **08-05**
- (52) **U.S. Cl.**
USPC **D8/89**
- (58) **Field of Classification Search**
CPC B66F 15/00
USPC 254/21, 22, 25, 131; 30/167, 168;
7/147, 146, 166; D8/14, 47, 81, 88, 89
See application file for complete search history.

6,676,111	B2	1/2004	Bigham	
6,820,457	B2	11/2004	Luebke et al.	
6,988,711	B2	1/2006	Skach	
D593,837	S	6/2009	Lindskog	
7,634,845	B1	12/2009	Sim	
D644,084	S	8/2011	Canavan et al.	
8,434,739	B1 *	5/2013	Connolly	254/130
2006/0213057	A1 *	9/2006	Pruitt	29/759
2009/0139035	A1 *	6/2009	Kang	7/100
2011/0113566	A1 *	5/2011	Holbrook	7/146

* cited by examiner

Primary Examiner — Adir Aronovich
Assistant Examiner — Ethiene Salgado-Rodriguez
(74) *Attorney, Agent, or Firm* — TraskBritt

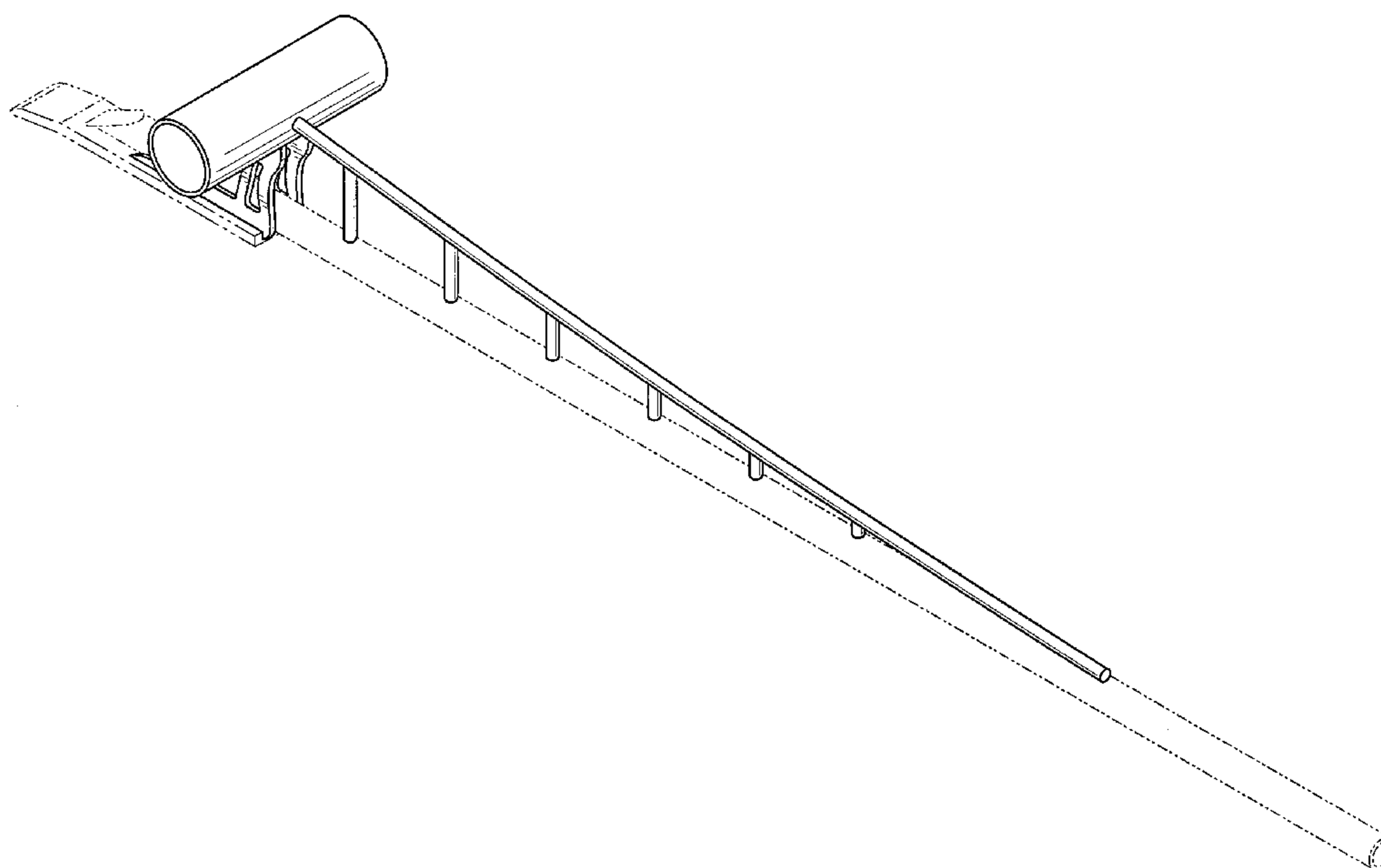
(57) **CLAIM**
The ornamental design for a prybar, as shown and described.

- (56) **References Cited**
U.S. PATENT DOCUMENTS
- | | | | | |
|-----------|-----|---------|-------------|---------|
| 1,356,431 | A | 10/1920 | Eddy | |
| 1,570,192 | A * | 1/1926 | Younick | 254/131 |
| 1,719,311 | A * | 7/1929 | Sargent | 81/485 |
| 2,446,410 | A | 8/1948 | Couse | |
| D168,586 | S * | 1/1953 | Oros et al. | D8/14 |
| 2,716,274 | A * | 8/1955 | Smith | 29/280 |
| 4,183,503 | A * | 1/1980 | Ward | 254/131 |
| 4,488,706 | A * | 12/1984 | Kono | 254/131 |
| D277,359 | S | 1/1985 | Schiller | |
| 4,650,232 | A | 3/1987 | Perry | |
| D332,382 | S * | 1/1993 | Westcott | D8/89 |
| D344,665 | S | 3/1994 | Baker | |
| 5,782,600 | A | 7/1998 | Walsh | |
| D398,821 | S * | 9/1998 | Jones | D8/14 |

DESCRIPTION

FIG. 1 is a left side elevational view of a prybar showing my new design;
FIG. 2 is a right side elevational view thereof;
FIG. 3 is a front elevational view thereof;
FIG. 4 is a rear elevational view thereof;
FIG. 5 is a top plan view thereof;
FIG. 6 is a bottom plan view thereof; and,
FIG. 7 is a perspective view thereof.
The broken lines in the figures are for the purpose of illustrating environment and form no part of the claimed design.

1 Claim, 3 Drawing Sheets



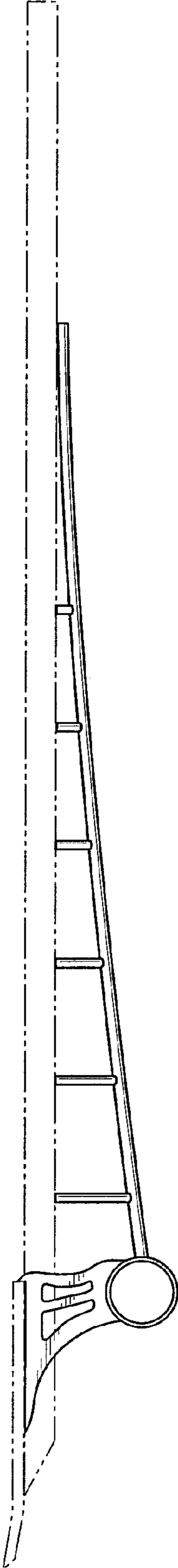


FIG. 1

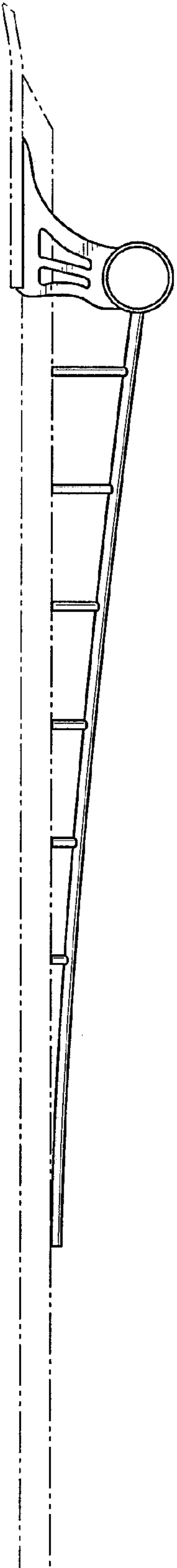


FIG. 2

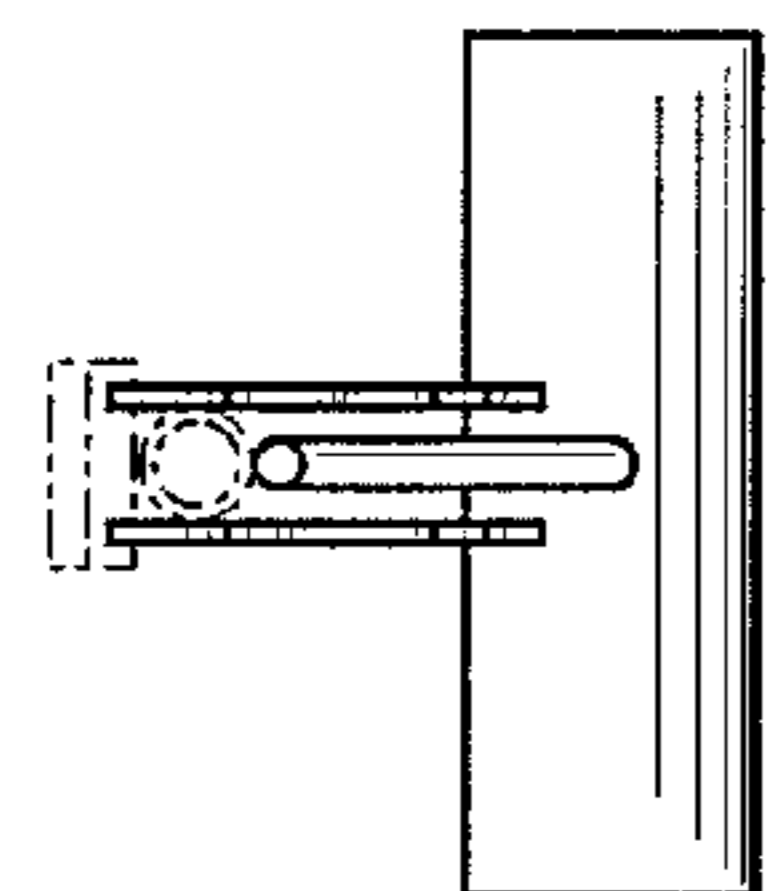


FIG. 3

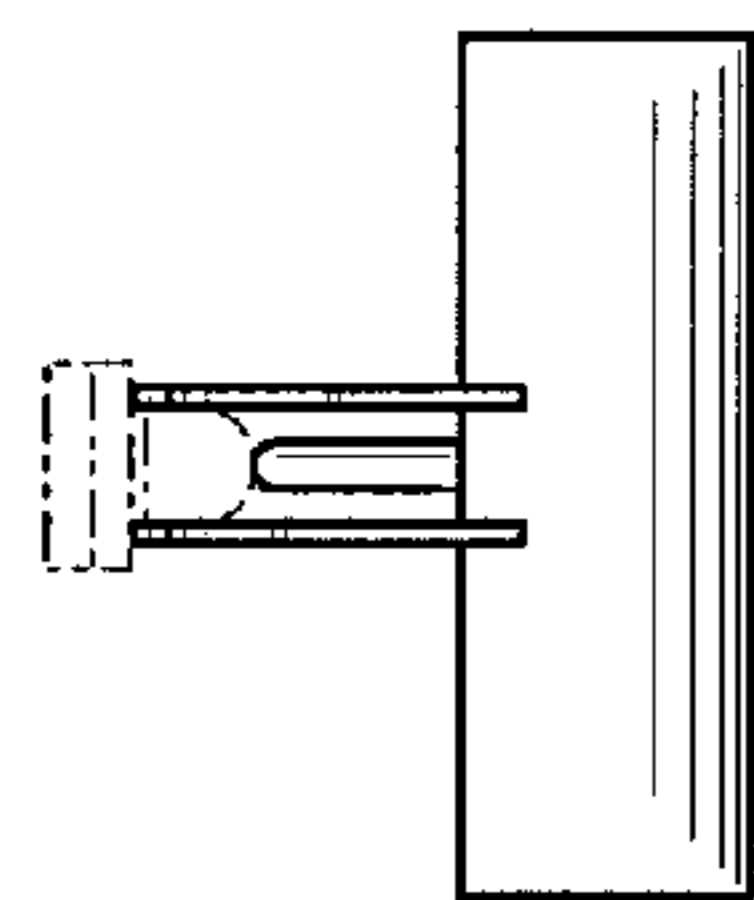


FIG. 4

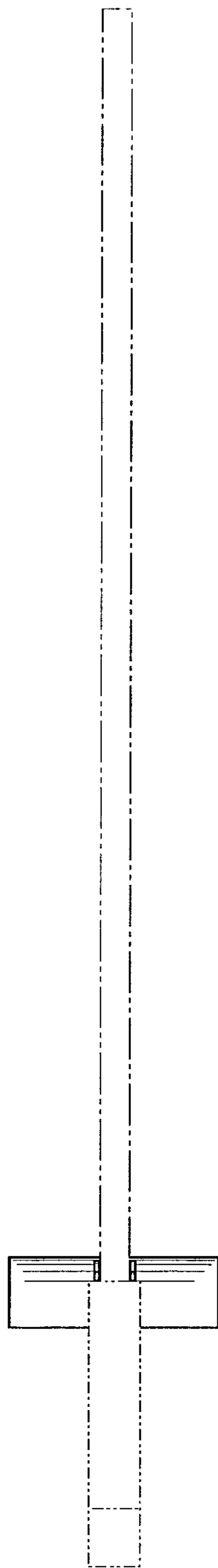


FIG. 5

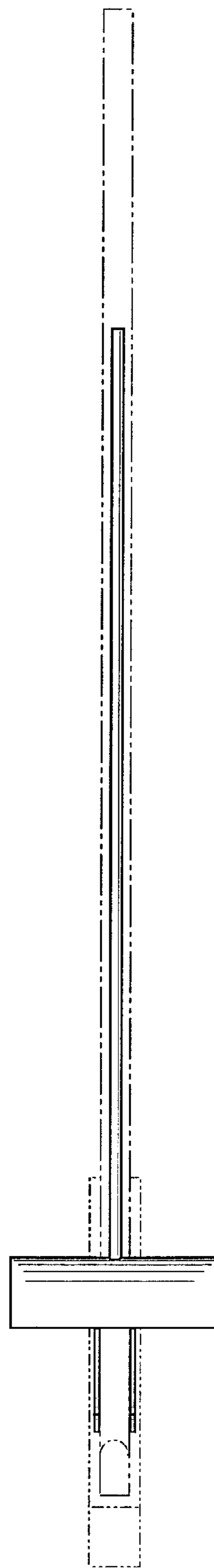


FIG. 6

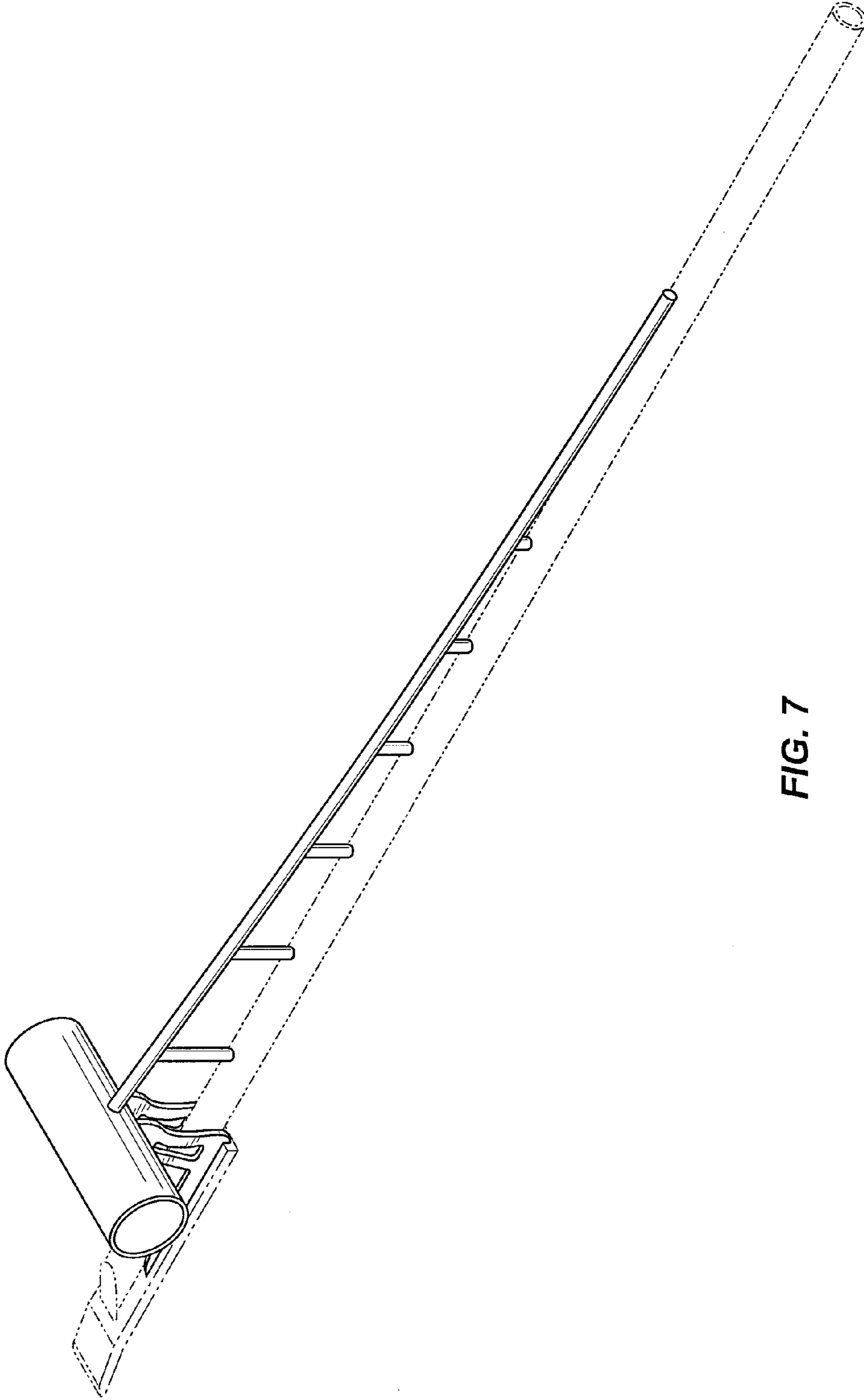


FIG. 7