



US00D719002S

(12) **United States Design Patent**
Robinson et al.

(10) **Patent No.:** **US D719,002 S**
(45) **Date of Patent:** **** Dec. 9, 2014**

(54) **CLAMP**

- (71) Applicants: **Glenn Robinson**, Parkland, FL (US);
Francisco Molina, Sunrise, FL (US)
- (72) Inventors: **Glenn Robinson**, Parkland, FL (US);
Francisco Molina, Sunrise, FL (US)
- (73) Assignee: **IBT Holdings, LLC**, Deerfield Beach,
FL (US)
- (**) Term: **14 Years**

(21) Appl. No.: **29/442,567**

(22) Filed: **Mar. 25, 2013**

(51) **LOC (10) Cl.** **08-05**

(52) **U.S. Cl.**
USPC **D8/73**

(58) **Field of Classification Search**
USPC D8/71-74, 394-399, 59; 248/63, 72,
248/74.1, 689, 124.2; 81/487, 385, 386,
81/388-390; 269/3, 4, 6, 143, 165, 240,
269/243, 246-249, 254 R, 147-149; 29/256,
29/257, 276

See application file for complete search history.

(56) **References Cited**

U.S. PATENT DOCUMENTS

3,589,708	A *	6/1971	Cosner	D8/73
4,747,590	A *	5/1988	Yang	D8/73
D296,515	S *	7/1988	Cors	D8/59
4,903,929	A *	2/1990	Hoffman	D8/73
D317,394	S *	6/1991	Goldstein	D8/71
D342,659	S *	12/1993	Glynn	D8/73
D344,226	S *	2/1994	Glynn	D8/73
D348,816	S *	7/1994	Degen	D8/73
D375,239	S *	11/1996	Hall et al.	D8/73
D480,617	S *	10/2003	Varzino	D8/73
D487,689	S *	3/2004	Brass et al.	D8/73
D489,241	S *	5/2004	Parham et al.	D8/73
8,727,291	B2 *	5/2014	Scoggins et al.	29/276

* cited by examiner

Primary Examiner — David Muller

(74) *Attorney, Agent, or Firm* — Dan DeLaRosa

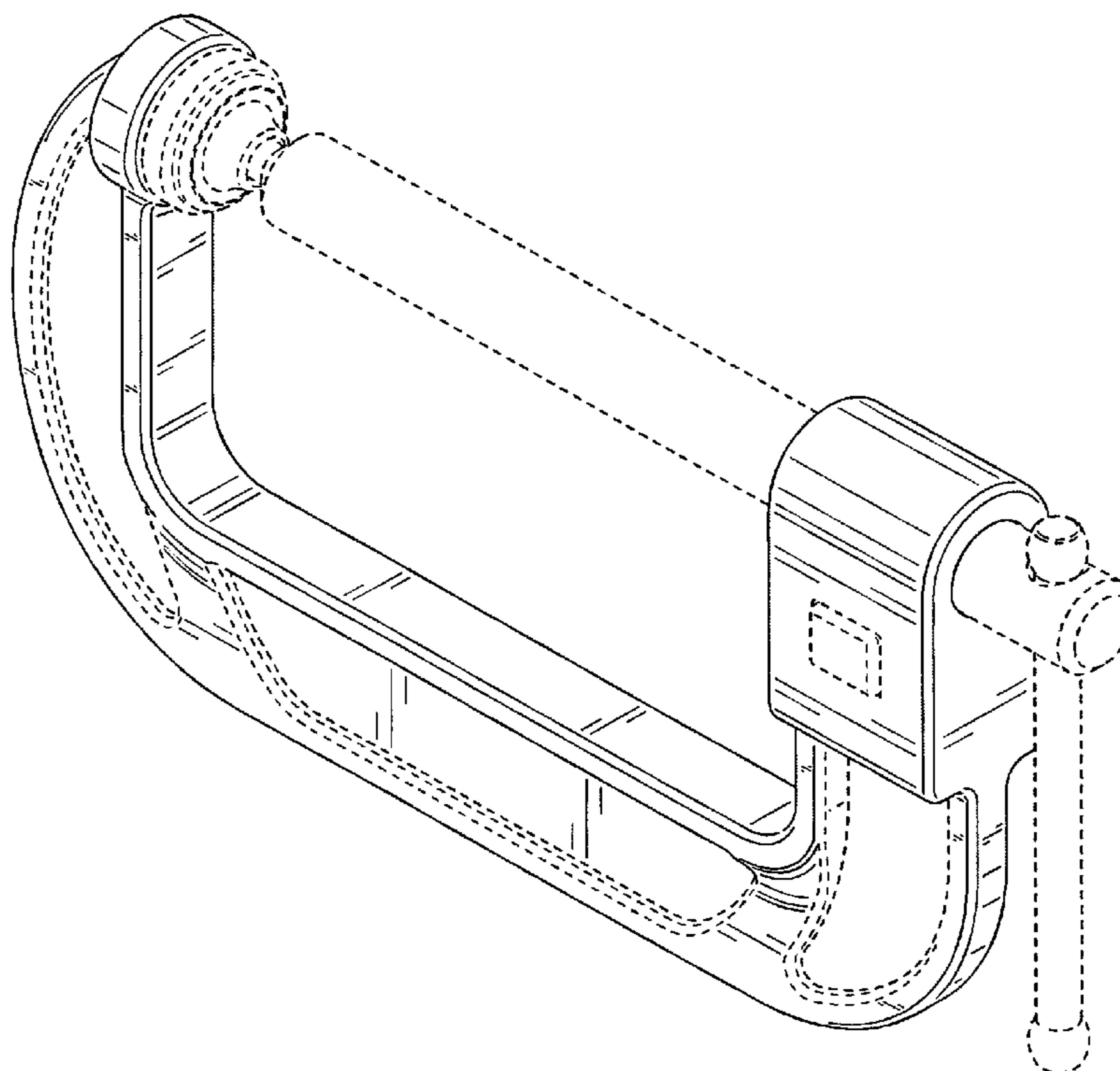
(57) **CLAIM**

The ornamental design for a clamp, as shown and described.

DESCRIPTION

FIG. 1 is a front perspective view of the clamp of the present invention showing my new design; FIG. 2 is a front elevation view thereof; FIG. 3 is a rear elevation view thereof; FIG. 4 is a side elevation view thereof; FIG. 5 is an opposite side elevation view thereof; FIG. 6 is a bottom plan view thereof; and, FIG. 7 is a top plan view thereof.

1 Claim, 5 Drawing Sheets



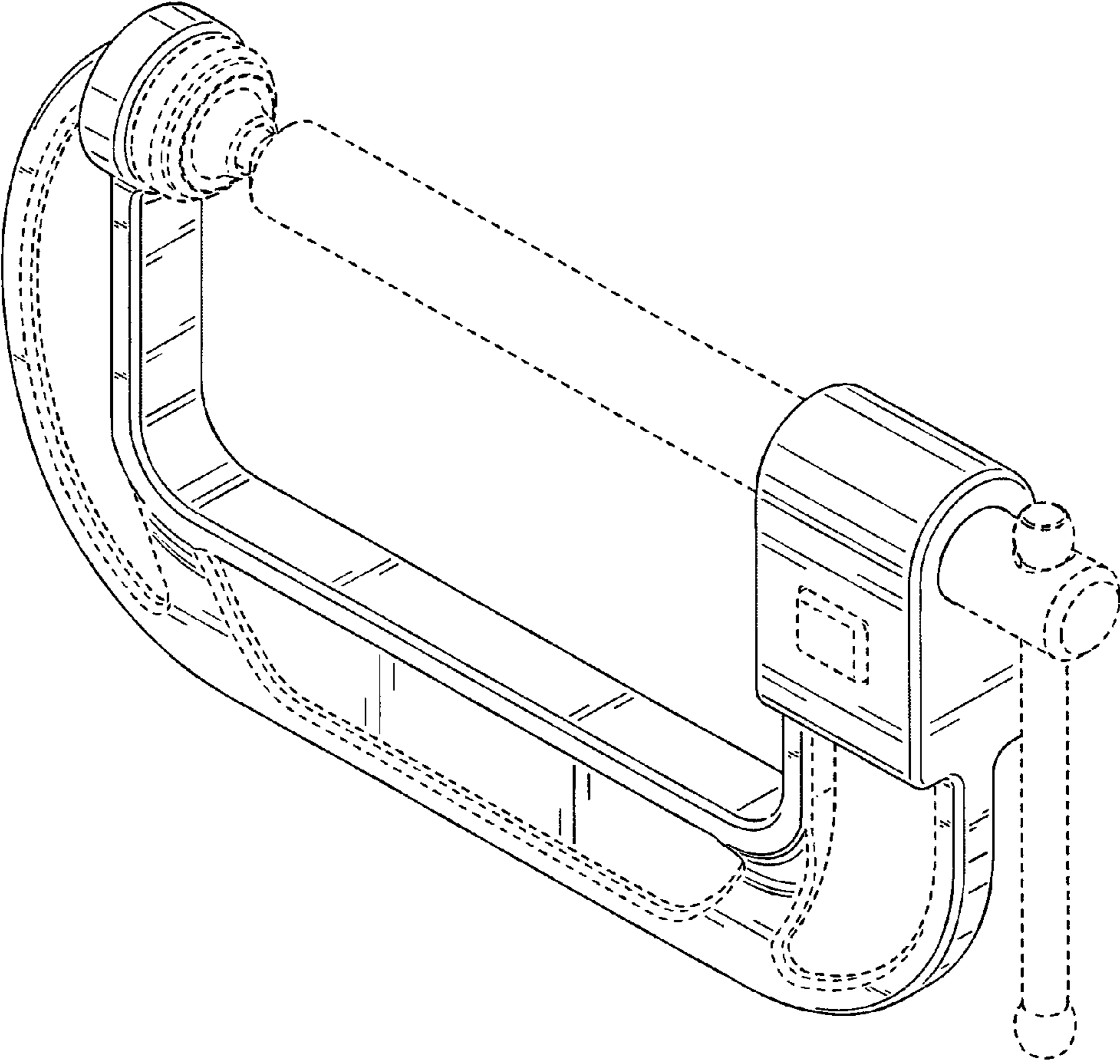


FIG. 1

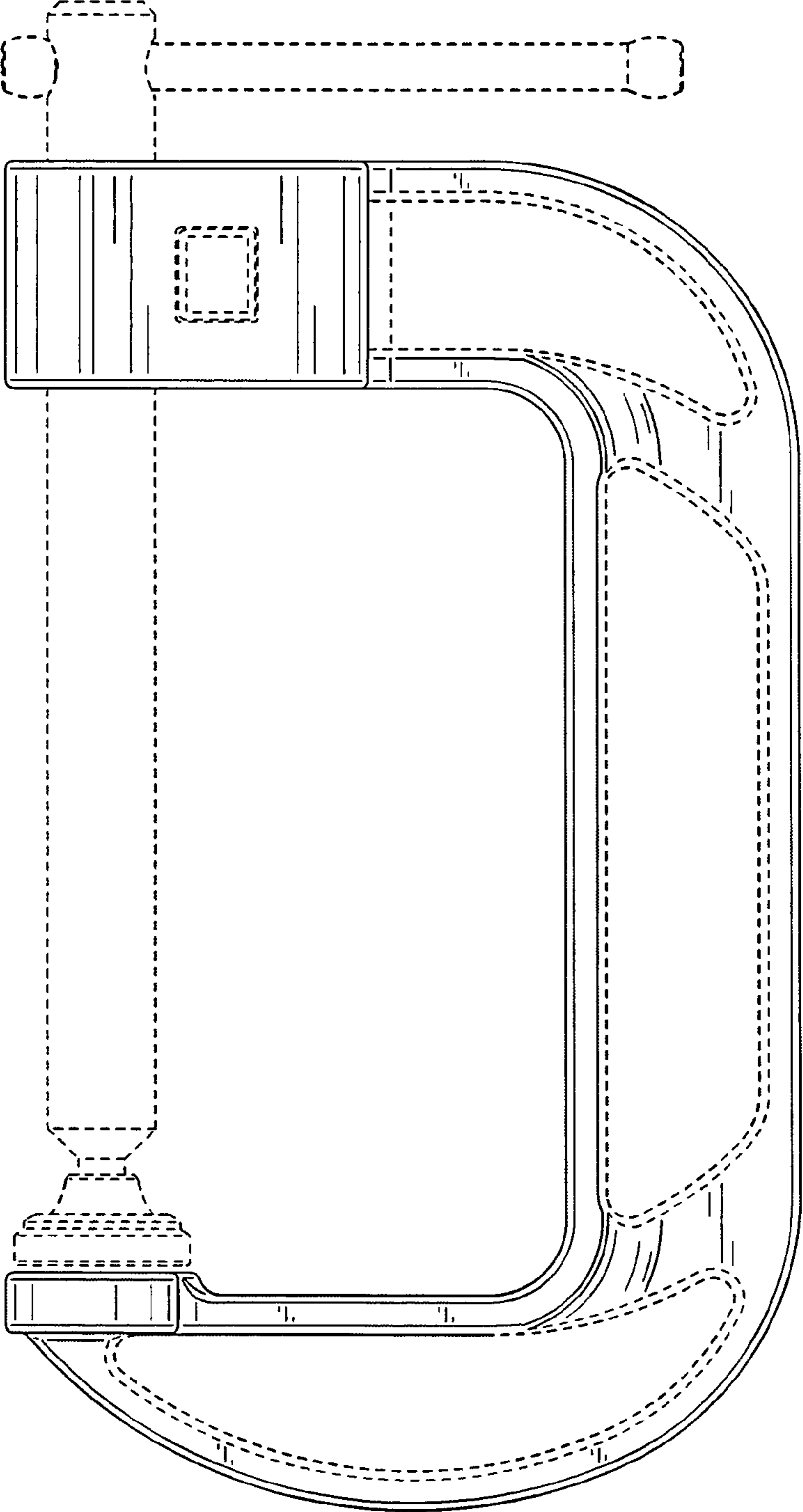


FIG. 2

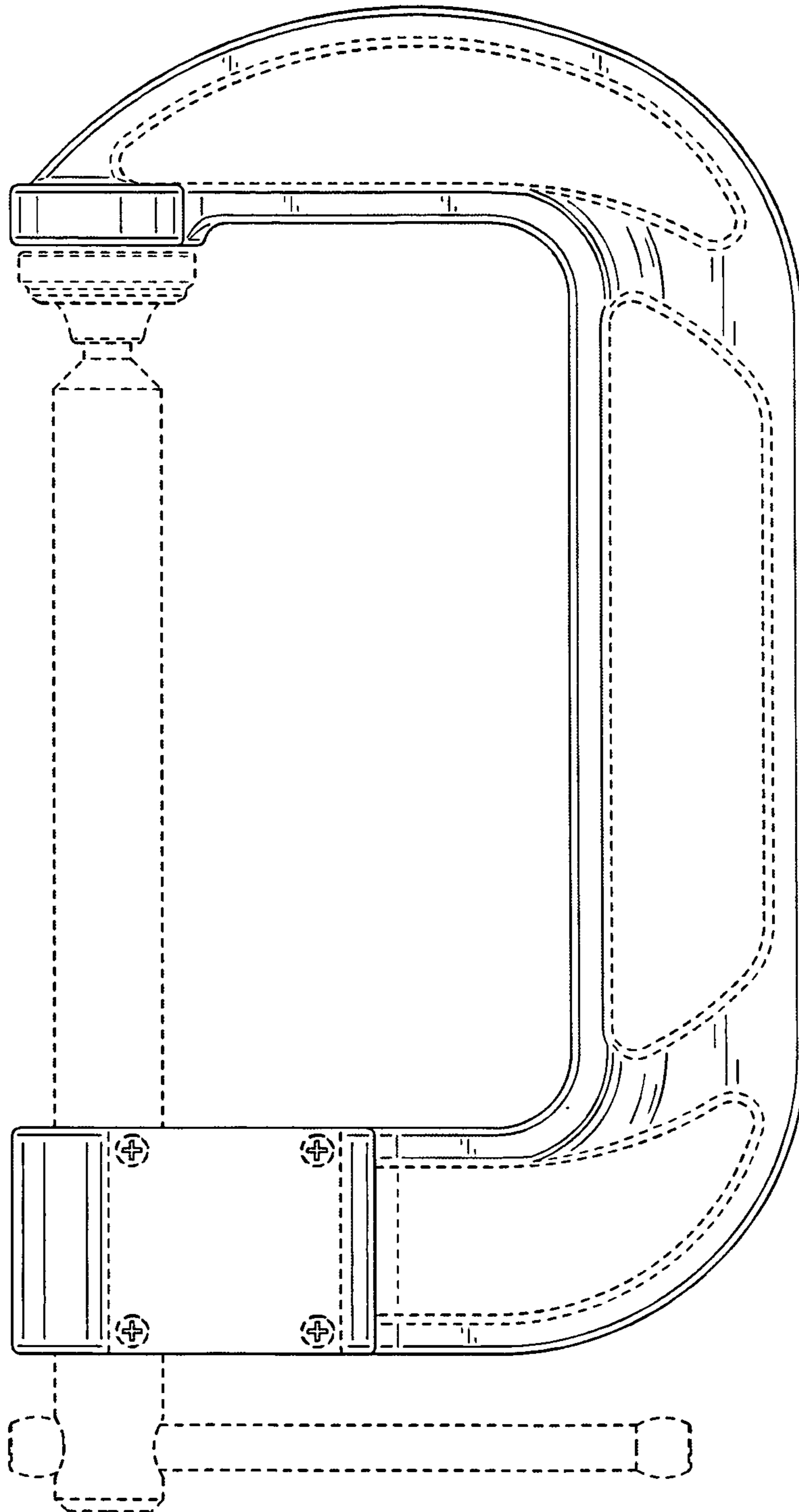


FIG. 3

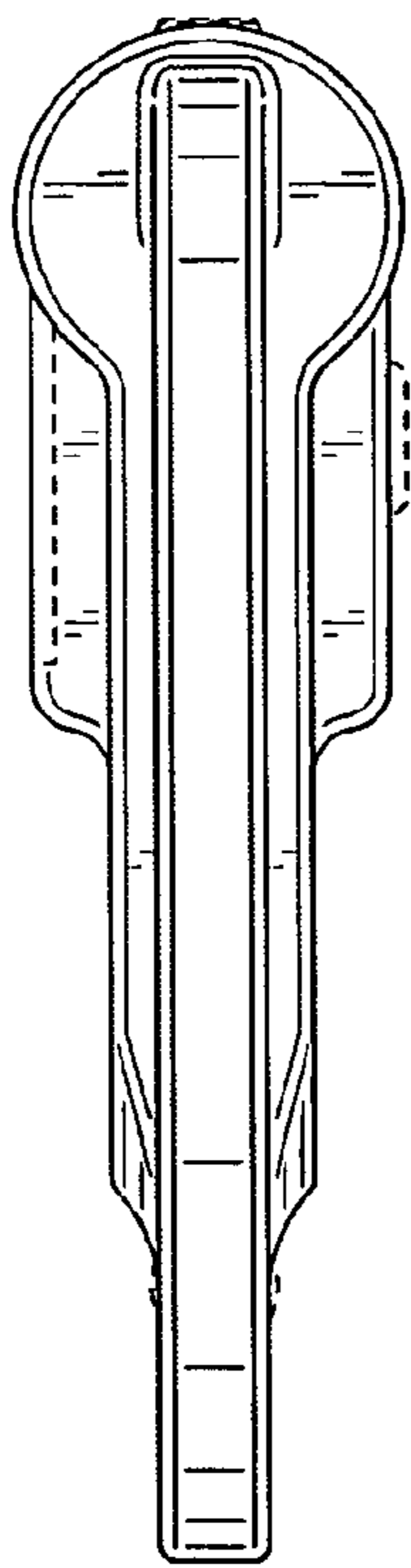


FIG. 4

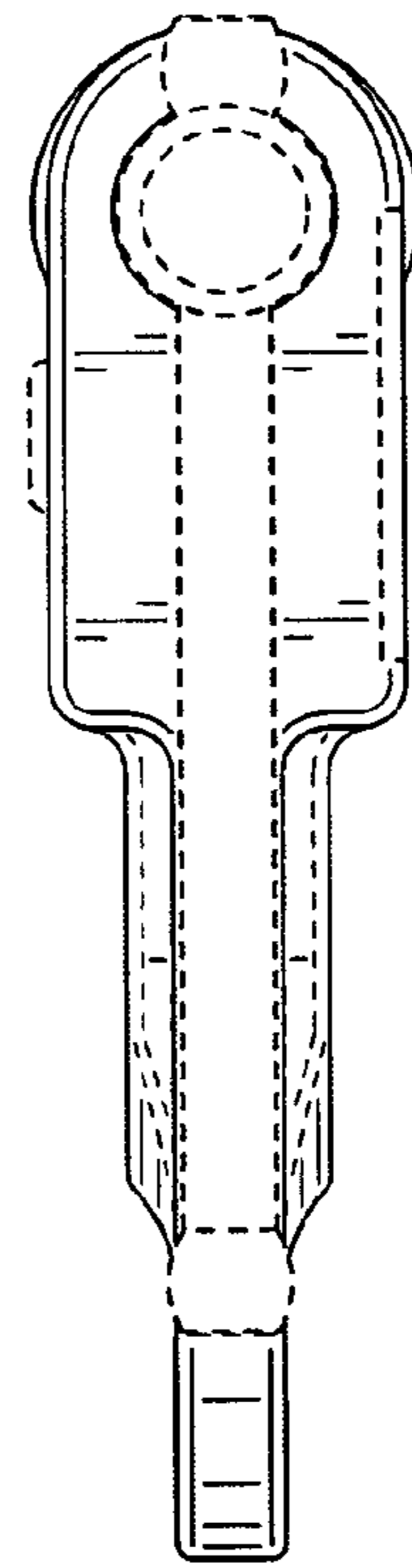


FIG. 5

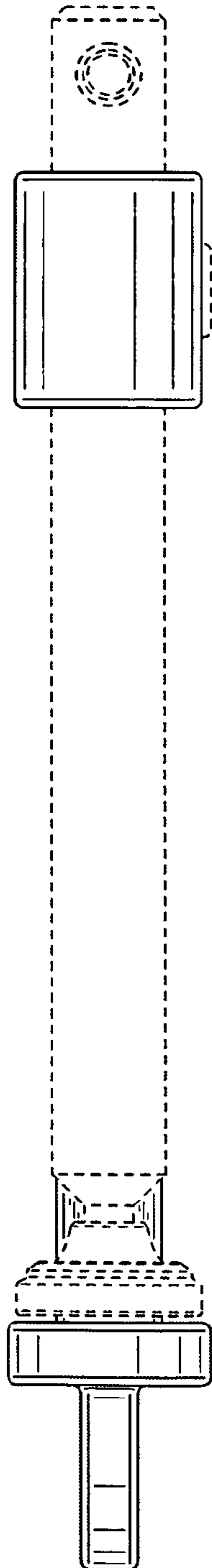


FIG. 6

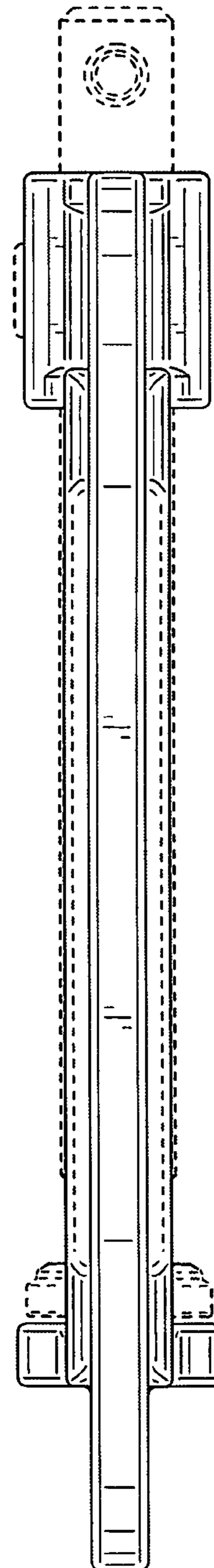


FIG. 7