



US00D719000S

(12) **United States Design Patent**
Palmer

(10) **Patent No.:** **US D719,000 S**

(45) **Date of Patent:** **** Dec. 9, 2014**

(54) **CLAMP**

(75) Inventor: **John Palmer**, Torrington, CT (US)

(73) Assignee: **On The Level Billiards, LLC**,
Torrington, CT (US)

(**) Term: **14 Years**

(21) Appl. No.: **29/432,314**

(22) Filed: **Sep. 14, 2012**

Related U.S. Application Data

(63) Continuation of application No. 13/112,082, filed on
May 20, 2011, now Pat. No. 8,312,598.

(51) **LOC (10) Cl.** **08-05**

(52) **U.S. Cl.**
USPC **D8/73**

(58) **Field of Classification Search**

USPC D8/71-74, 394-399, 59; 248/62, 63,
248/72, 74.1, 689, 124.2; 81/487; 269/3, 4,
269/6, 143, 165, 240, 243, 246-249, 254 R,
269/147-149; 29/256, 257, 276; D15/140;
D24/140, 143; 408/103, 104-109
See application file for complete search history.

(56) **References Cited**

U.S. PATENT DOCUMENTS

D296,517 S * 7/1988 Martin D8/71
D342,434 S * 12/1993 Glynn D8/73
D344,226 S * 2/1994 Glynn D8/73

D356,722 S * 3/1995 Tessman D8/72
D358,971 S * 6/1995 Glynn D8/73
D375,239 S * 11/1996 Hall et al. D8/73
D393,998 S * 5/1998 Anderson D8/394
D413,429 S * 9/1999 Carson D3/10
D443,493 S * 6/2001 Skeem D8/72
D481,402 S * 10/2003 Jenkins et al. D15/140
D551,528 S * 9/2007 Vautour et al. D8/72
7,287,728 B2 * 10/2007 Shuey 248/72
D628,693 S * 12/2010 Thuenker D24/133

* cited by examiner

Primary Examiner — David Muller

(74) *Attorney, Agent, or Firm* — Cantor Colburn LLP

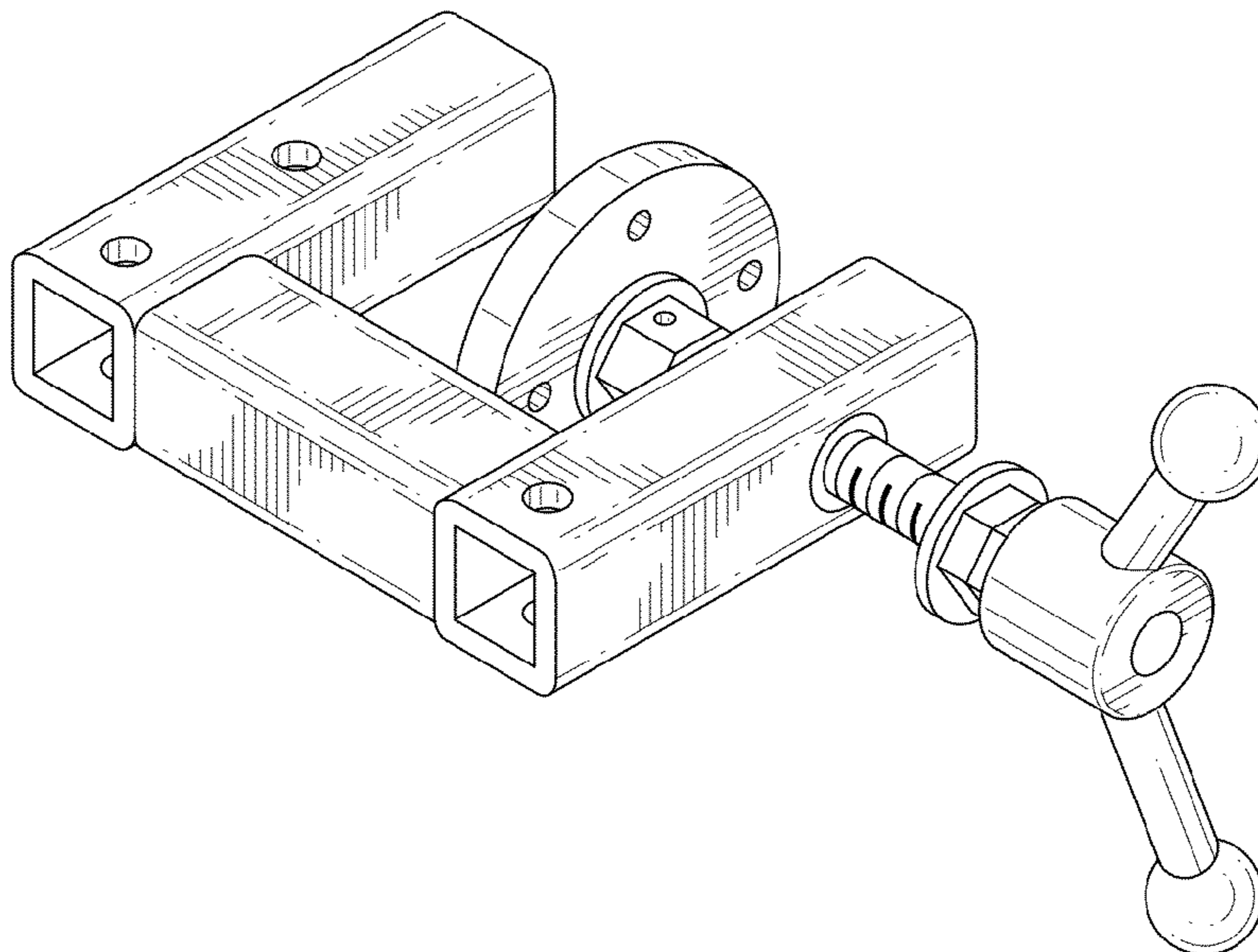
(57) **CLAIM**

I claim, an ornamental design for a clamp, as shown and
described.

DESCRIPTION

FIG. 1 is a top perspective view of a clamp, showing my new
design;
FIG. 2 is a bottom perspective view thereof;
FIG. 3 is a front elevation view thereof;
FIG. 4 is a rear elevation view thereof;
FIG. 5 is a side elevation view thereof;
FIG. 6 is a side elevation view thereof;
FIG. 7 is a top plan view thereof; and,
FIG. 8 is a bottom plan view thereof.

1 Claim, 4 Drawing Sheets



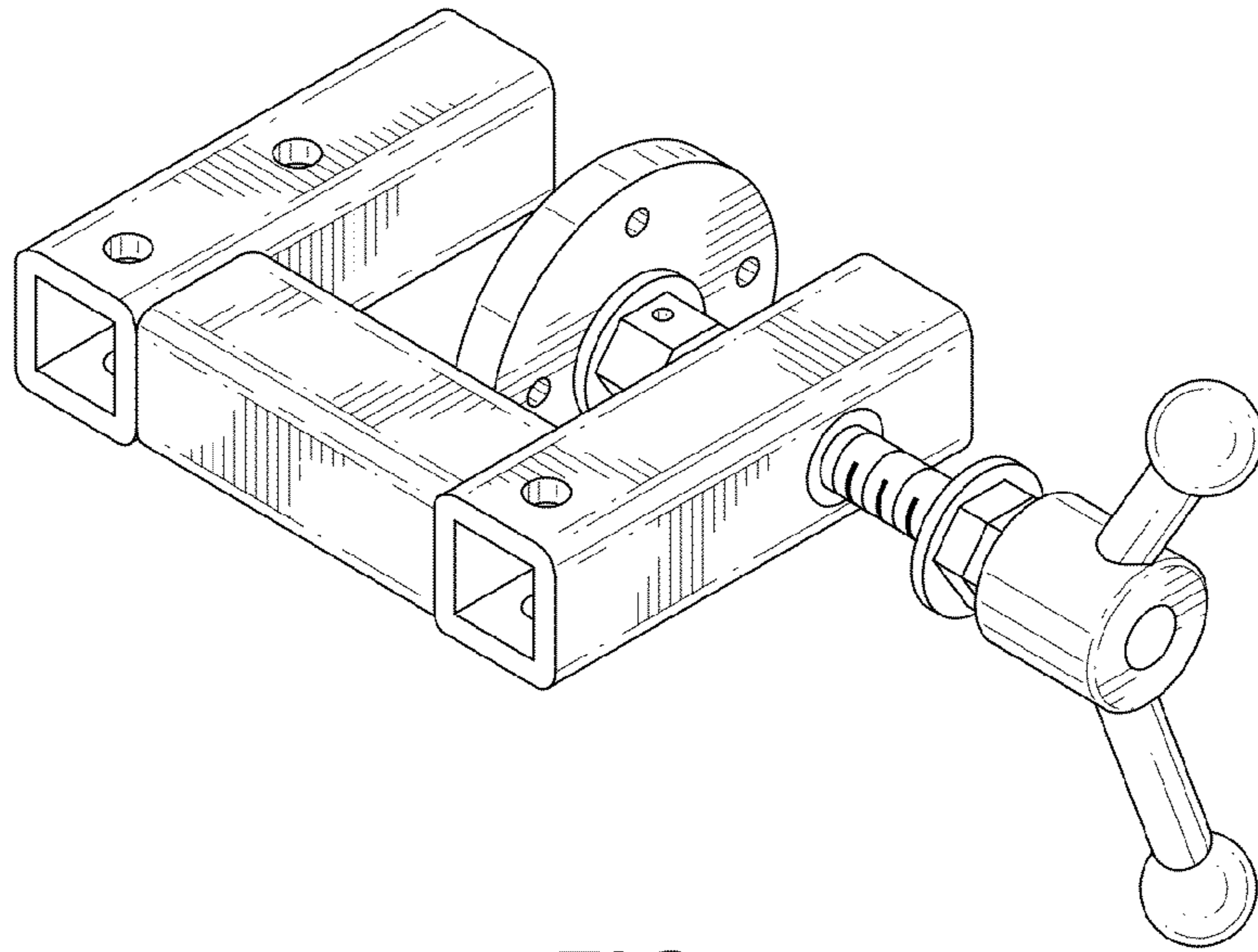


FIG. 1

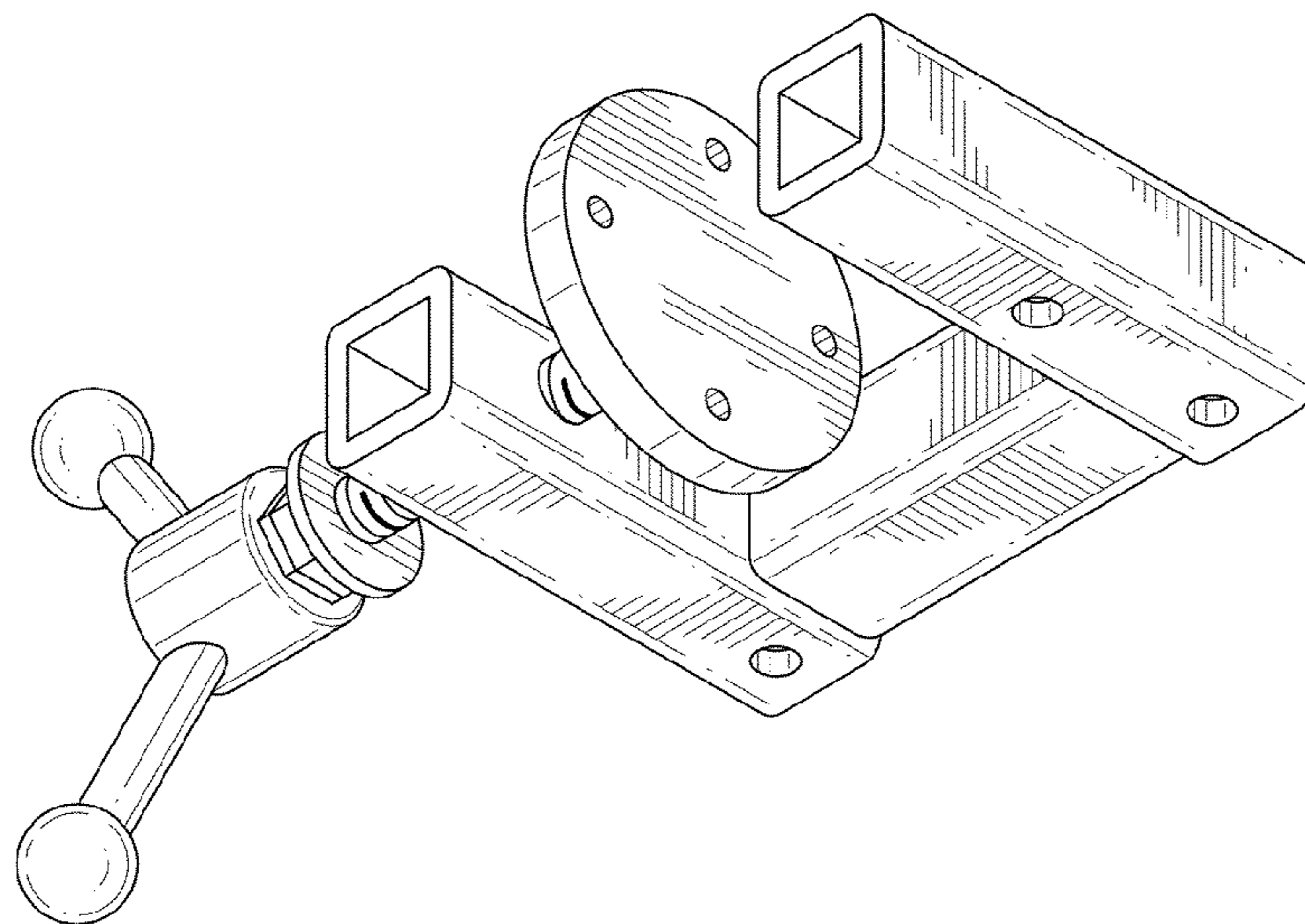


FIG. 2

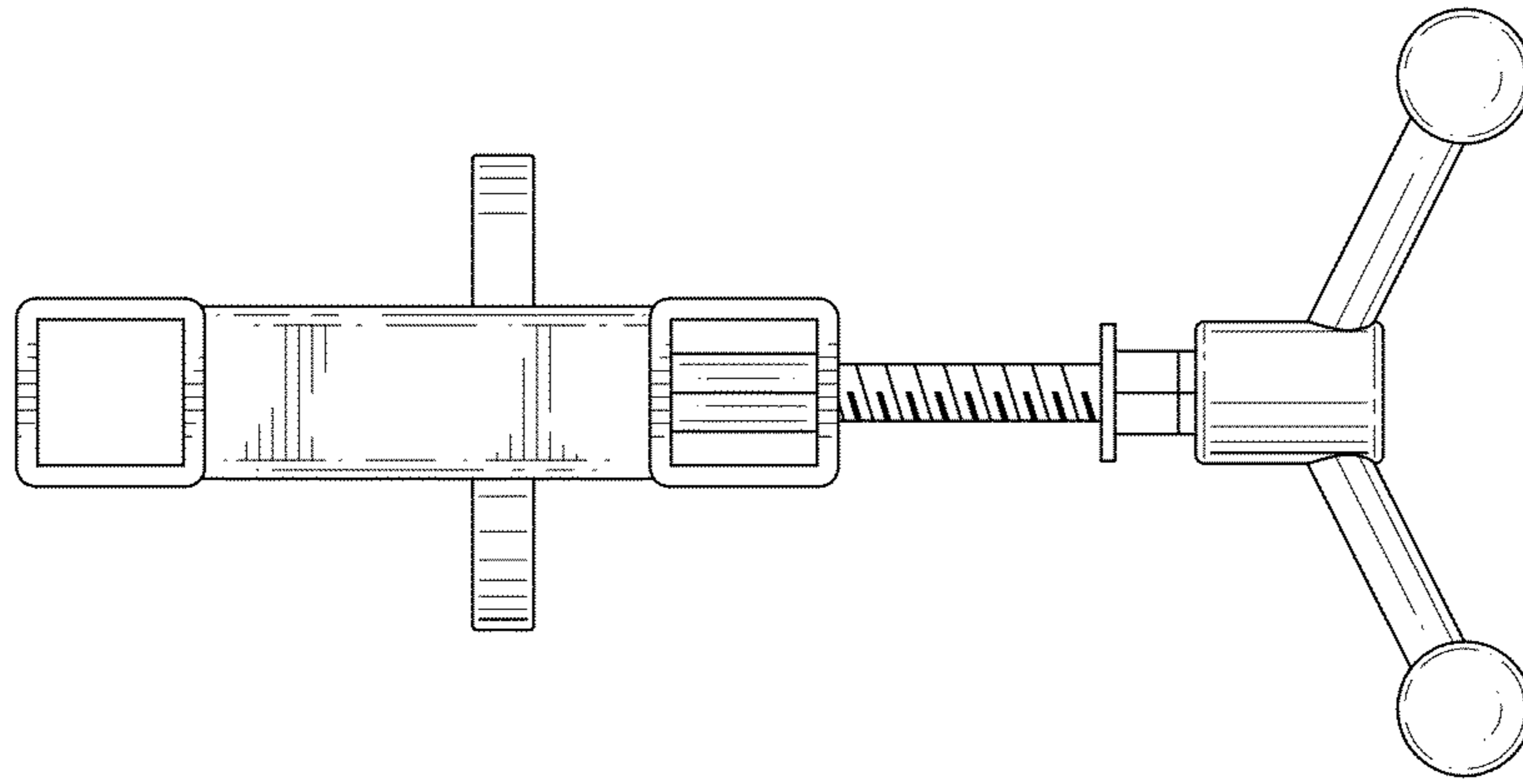


FIG. 3

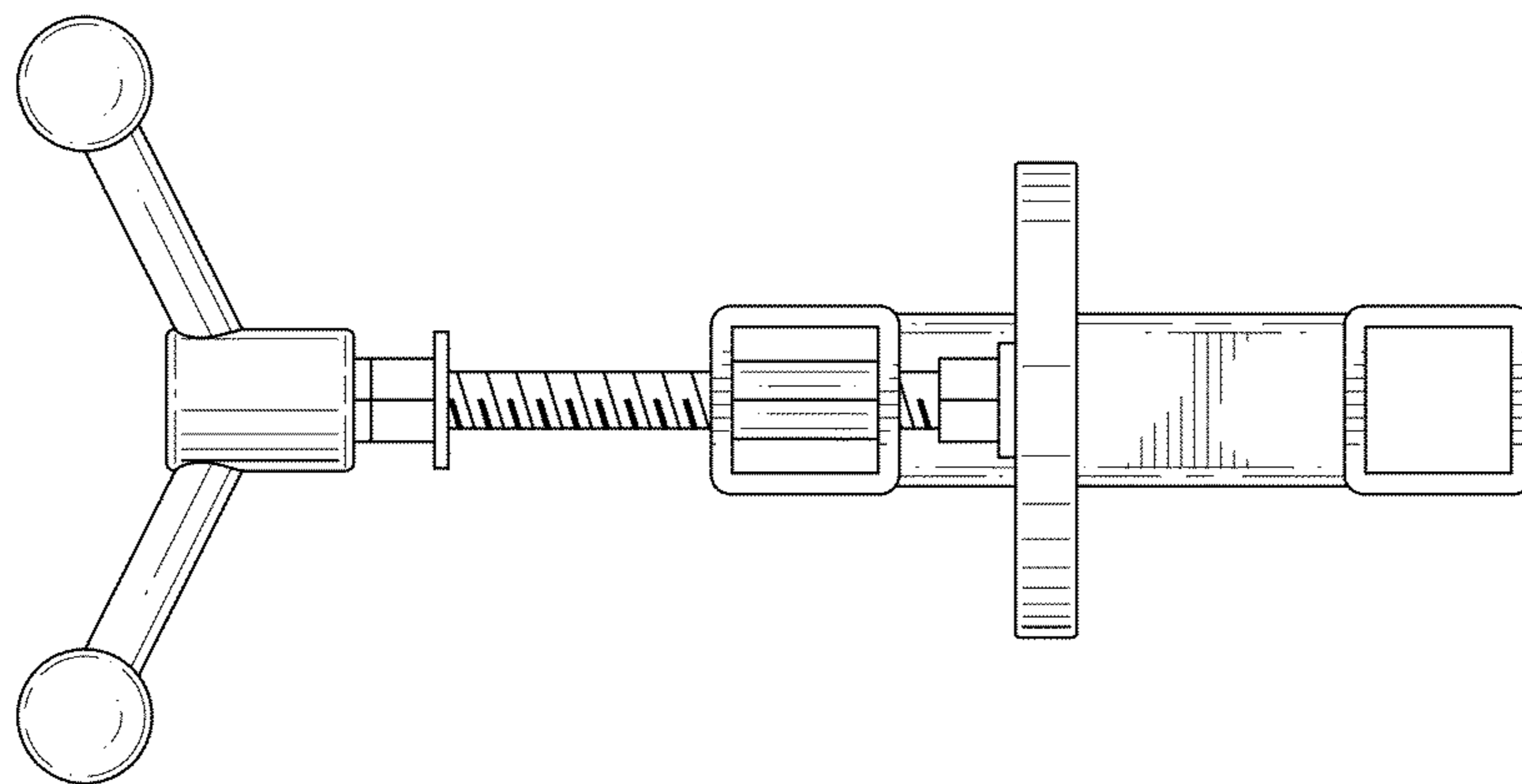


FIG. 4

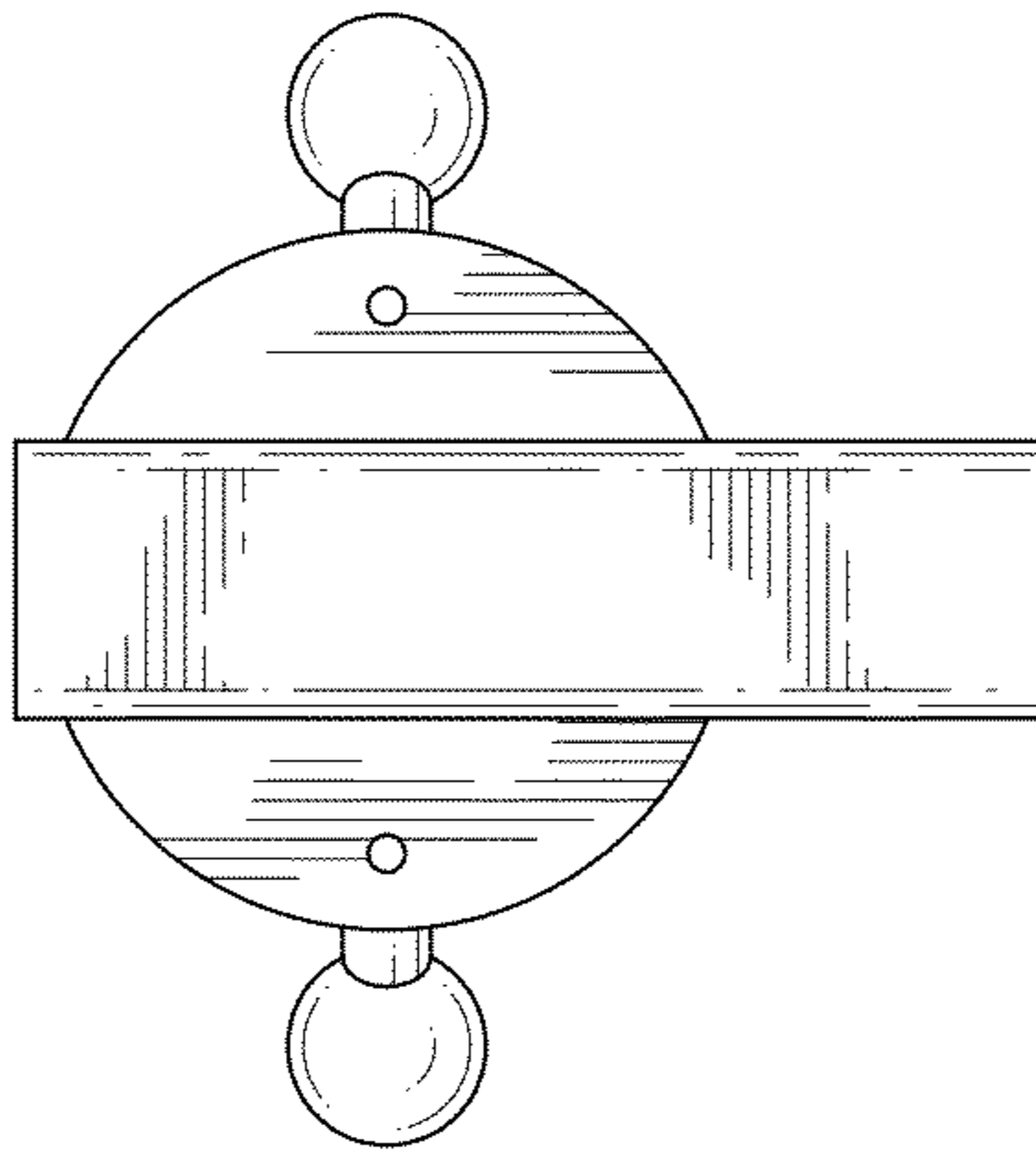


FIG. 5

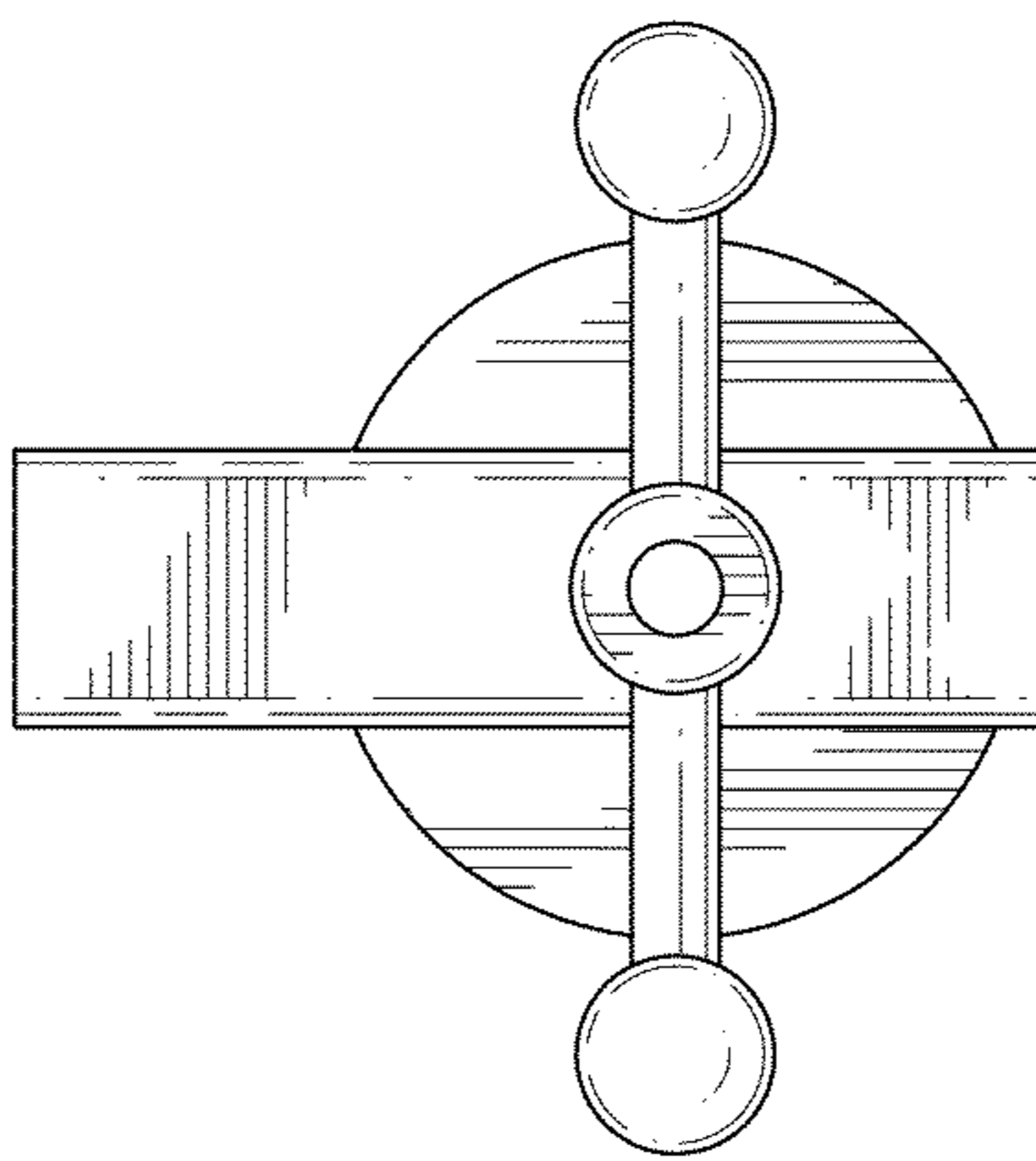


FIG. 6

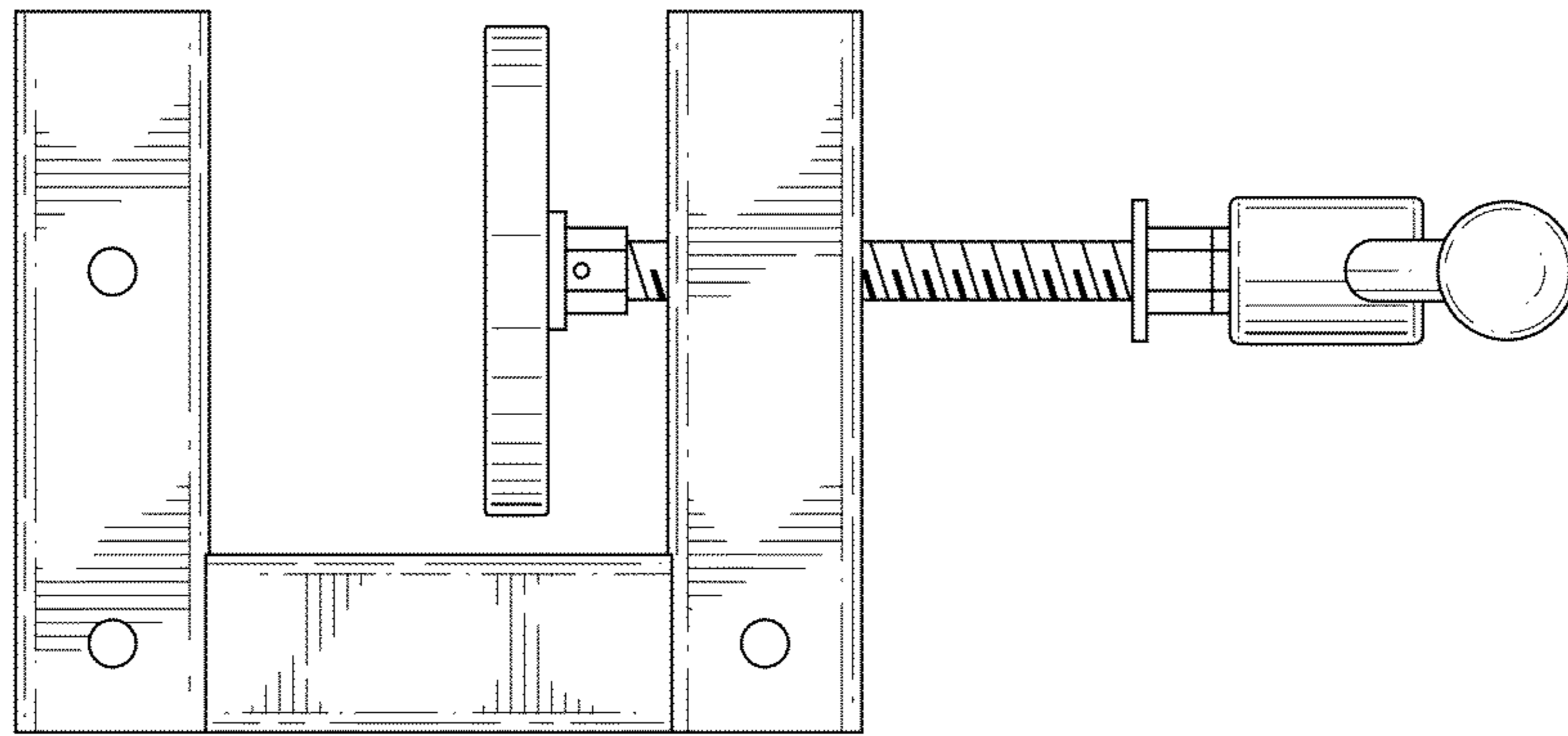


FIG. 7

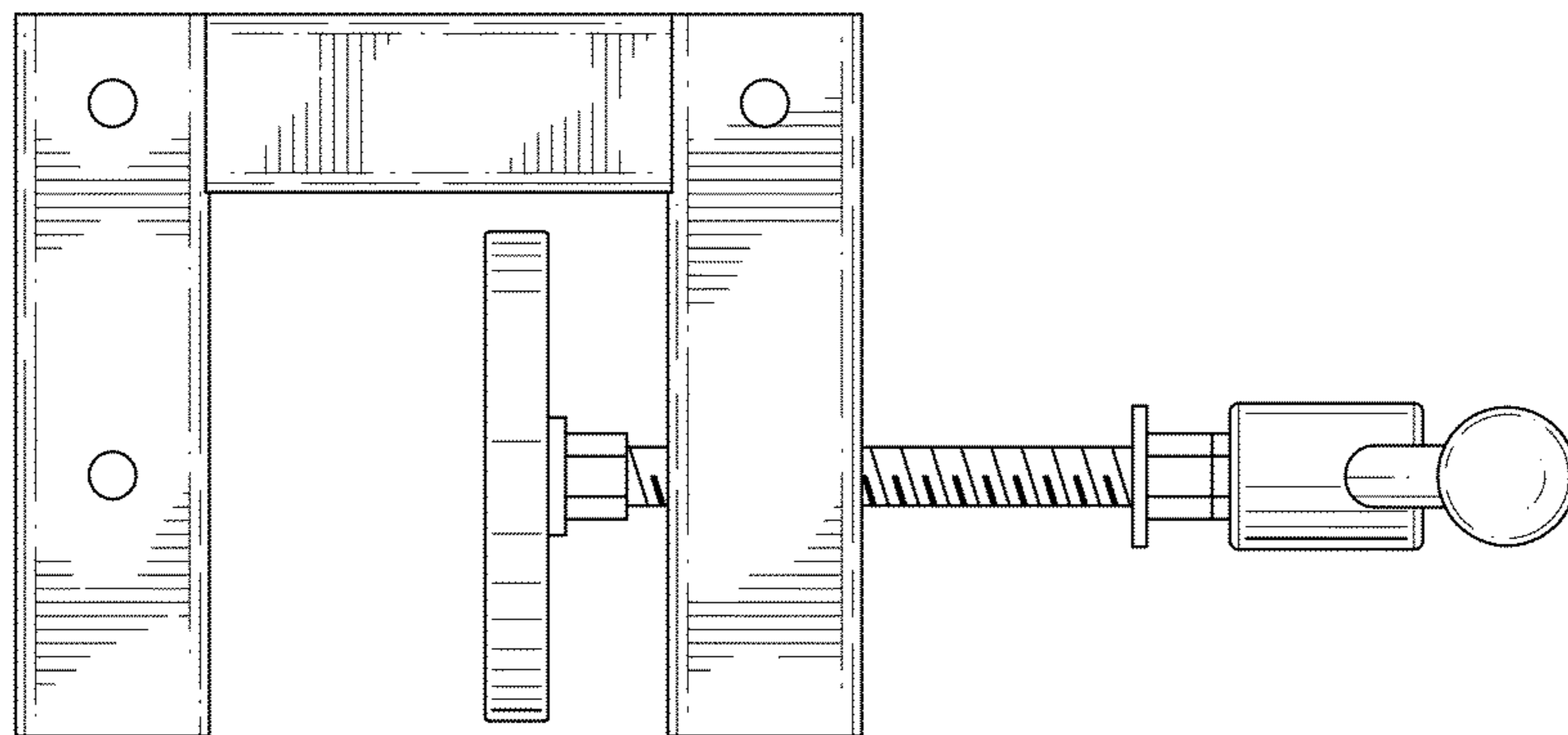


FIG. 8