

US00D718998S

(12) **United States Design Patent**
Tirone et al.

(10) **Patent No.:** **US D718,998 S**
(45) **Date of Patent:** **** Dec. 9, 2014**

(54) **ELECTRIC HAND-HELD SANDER**
(71) Applicant: **Black & Decker Inc.**, Newark, DE (US)
(72) Inventors: **James C. Tirone**, Baltimore, MD (US);
Donald W. Vetter, White Marsh, MD (US)
(73) Assignee: **Black & Decker Inc.**, Newark, DE (US)
(**) Term: **14 Years**

(21) Appl. No.: **29/480,758**

(22) Filed: **Jan. 29, 2014**

(51) **LOC (10) Cl.** **08-01**

(52) **U.S. Cl.**
USPC **D8/62**

(58) **Field of Classification Search**
CPC B24B 29/00; B24B 5/00; B24D 5/00;
B24D 9/00; B25F 5/00
USPC D8/67, 62, 61, 70; D32/15, 17, 19;
D4/102; 451/456, 451, 359, 358, 357,
451/356, 355, 364, 344; 144/154.5, 373;
30/475

See application file for complete search history.

(56) **References Cited**

U.S. PATENT DOCUMENTS

3,555,743 A 1/1971 Geiger
3,847,233 A 11/1974 Glover et al.
4,071,981 A 2/1978 Champayne
4,334,390 A 6/1982 Sumerau
4,660,329 A 4/1987 Hutchins
4,879,438 A 11/1989 Winchester
4,879,847 A 11/1989 Butzen et al.
5,022,190 A 6/1991 Hutchins
D347,561 S 6/1994 Huber et al.
5,319,888 A 6/1994 Huber et al.
5,365,155 A 11/1994 Zimmermann
D353,757 S 12/1994 Izumisawa
D354,425 S 1/1995 Izumisawa

D356,017 S 3/1995 Izumisawa
5,419,737 A 5/1995 Brazell et al.
5,445,558 A 8/1995 Hutchins
5,538,040 A 7/1996 Huber et al.
5,595,530 A 1/1997 Heidelberger
5,879,228 A 3/1999 Sun
6,004,197 A 12/1999 Huber
6,007,412 A 12/1999 Hutchins
6,149,511 A 11/2000 Huber
D436,817 S 1/2001 Leu
D438,078 S 2/2001 Leu
6,190,245 B1 2/2001 Heidelberger

(Continued)

Primary Examiner — Austin Murphy

(74) *Attorney, Agent, or Firm* — Stephen R. Valancius

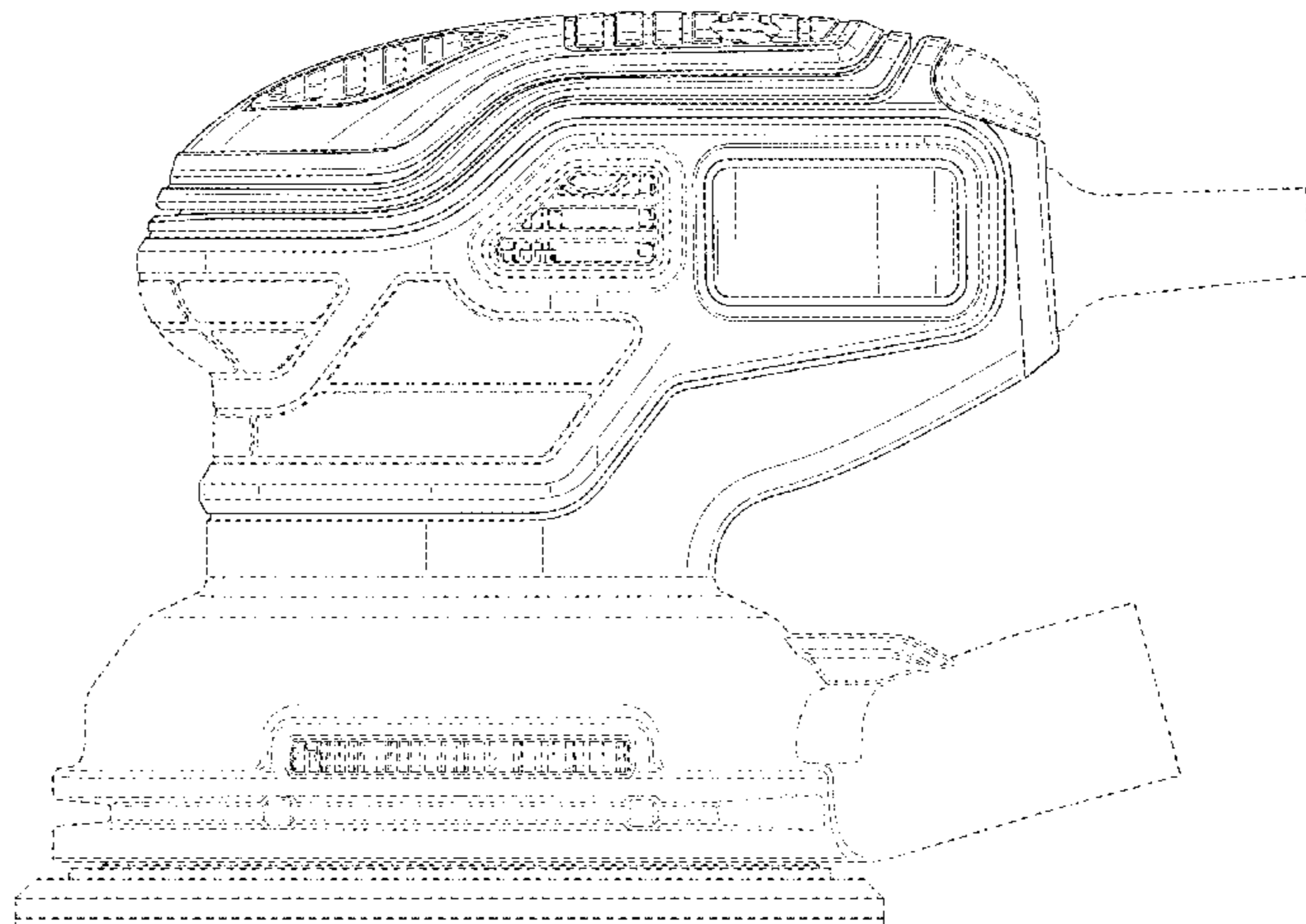
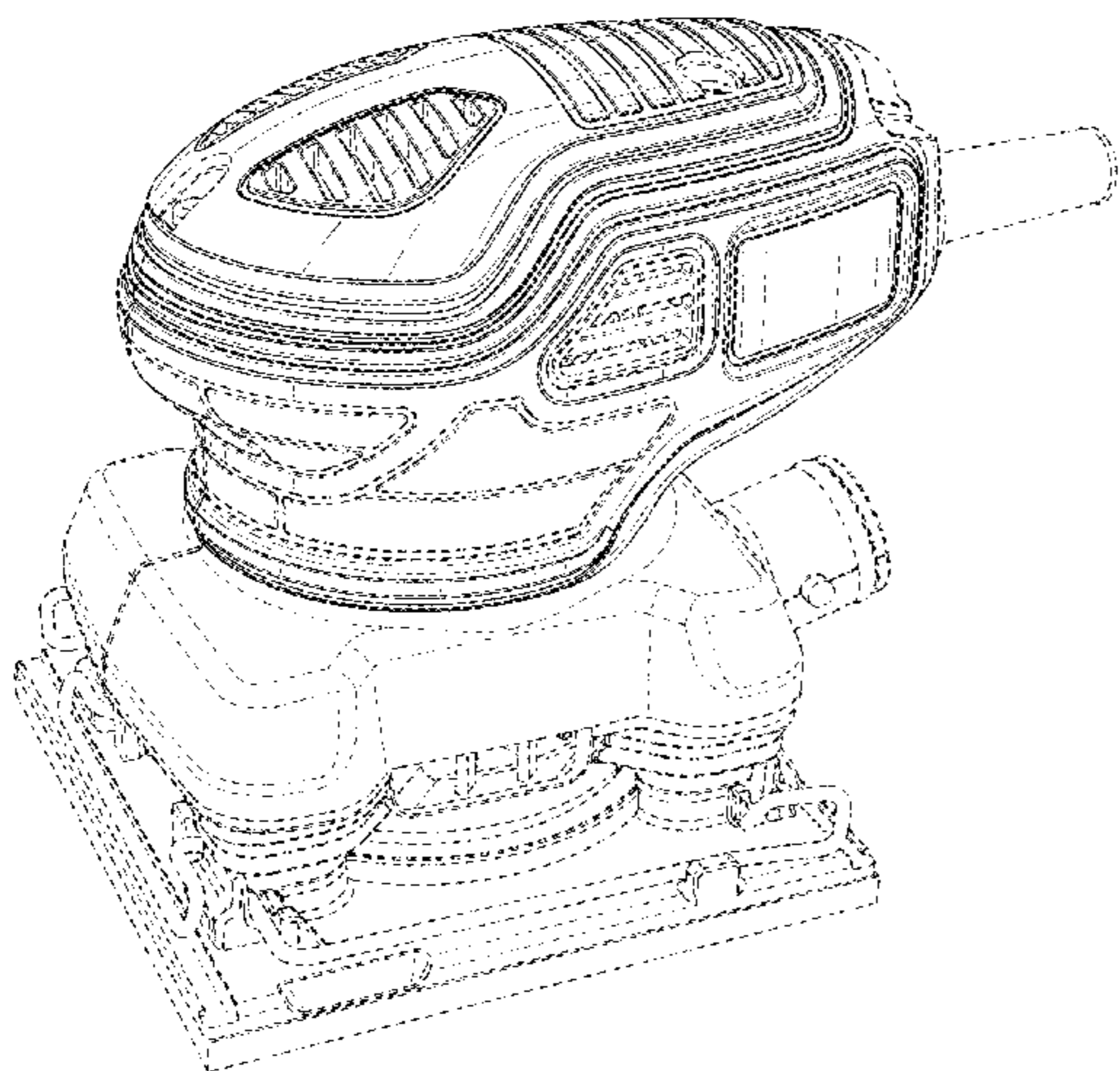
(57) **CLAIM**

The ornamental design for an electric hand-held sander, as shown and described.

DESCRIPTION

FIG. 1 is a perspective view of a first embodiment of an electric hand-held sander showing our new design;
FIG. 2 is a front view thereof;
FIG. 3 is a rear view thereof;
FIG. 4 is a right side view thereof;
FIG. 5 is a left side view thereof;
FIG. 6 is a top plan view thereof; and
FIG. 7 is a bottom plan view thereof.
FIG. 8 is a perspective view of a second embodiment of an electric hand-held sander showing our new design;
FIG. 9 is a front view thereof;
FIG. 10 is a rear view thereof;
FIG. 11 is a right side view thereof;
FIG. 12 is a left side view thereof;
FIG. 13 is a top plan view thereof; and,
FIG. 14 is a bottom plan view thereof.
In the above drawings, the broken lines and the areas within the broken lines form no part of the claimed design.

1 Claim, 14 Drawing Sheets



(56)

References Cited

U.S. PATENT DOCUMENTS

D438,771 S	3/2001	Hutchins	
6,257,970 B1	7/2001	Huber	
6,328,643 B1	12/2001	Huber	
6,343,982 B1	2/2002	Sun	
6,394,885 B2	5/2002	Georgiou	
D458,102 S	6/2002	Tseng	
6,485,360 B1	11/2002	Hutchins	
6,555,773 B1	4/2003	Broghammer et al.	
6,610,946 B2	8/2003	Covell et al.	
6,669,543 B2	12/2003	Price et al.	
6,752,705 B1	6/2004	Lin	
6,793,568 B2	9/2004	Dotta	
6,794,593 B2	9/2004	Kraenzler et al.	
D498,399 S *	11/2004	Wu	D8/62
6,855,040 B2	2/2005	Huber	
D504,602 S	5/2005	Aglassinger et al.	
D509,417 S *	9/2005	Wikle et al.	D8/62
D509,722 S *	9/2005	Wikle et al.	D8/62
6,974,370 B2	12/2005	Hutchins	
6,979,254 B1	12/2005	Huber	
7,044,235 B2	5/2006	Lin	
D527,594 S	9/2006	Wikle	
D527,595 S	9/2006	Wikle	
D527,965 S	9/2006	Aglassinger	
7,118,467 B2	10/2006	Sun et al.	
D538,122 S	3/2007	Etter et al.	
7,222,679 B1	5/2007	Dohogne	
D548,556 S *	8/2007	Stratford	D8/62
7,270,591 B2	9/2007	Deshpande et al.	
D559,640 S *	1/2008	Kraus et al.	D8/62
7,318,768 B2	1/2008	Deshpande et al.	
D566,503 S *	4/2008	Leasure	D8/62
D567,047 S *	4/2008	Okuda et al.	D8/62
7,371,150 B2	5/2008	Deshpande et al.	
D573,857 S *	7/2008	Stratford et al.	D8/62
7,411,144 B2	8/2008	Broghammer	
D585,258 S *	1/2009	Nojiri et al.	D8/62
7,476,821 B1	1/2009	Knuppel	
7,485,026 B2	2/2009	King	
7,497,152 B2	3/2009	Zeiler et al.	
7,662,027 B2	2/2010	Hutchins	
7,699,687 B2	4/2010	Nordstrom	
7,722,435 B2	5/2010	King	
D618,867 S *	6/2010	Schouten	D32/19
D621,676 S *	8/2010	Baxter	D8/62
7,791,232 B2	9/2010	Purohit et al.	
D636,243 S *	4/2011	Liu et al.	D8/62
D636,244 S *	4/2011	Keller	D8/62
D640,109 S *	6/2011	Ng	D8/62
7,989,718 B1	8/2011	Weber	
7,997,959 B2	8/2011	Hutchins et al.	
8,057,285 B2	11/2011	Lampka et al.	
8,087,976 B2	1/2012	Gallagher et al.	
8,100,745 B2	1/2012	Zhang et al.	
D658,023 S *	4/2012	Yamamoto et al.	D8/62
D664,411 S *	7/2012	Aglassinger	D8/62
D666,071 S *	8/2012	Aglassinger	D8/62
D671,386 S *	11/2012	Ni	D8/64
8,382,559 B2	2/2013	Chen	
D677,541 S *	3/2013	Waldron	D8/62
D679,159 S *	4/2013	Waldron	D8/62
2003/0143935 A1	7/2003	Huber	
2003/0228833 A1	12/2003	Boyer	
2006/0060365 A1	3/2006	Kunz	
2007/0287365 A1	12/2007	Deshpande et al.	
2009/0104861 A1	4/2009	Van Der Linde et al.	
2009/0239453 A1	9/2009	Nordstrom	
2010/0099341 A1	4/2010	Huber et al.	
2010/0105287 A1	4/2010	Nordstrom	
2010/0300641 A1	12/2010	Purohit et al.	
2012/0302143 A1	11/2012	Nordstrom	
2013/0023189 A1	1/2013	Numata	

* cited by examiner

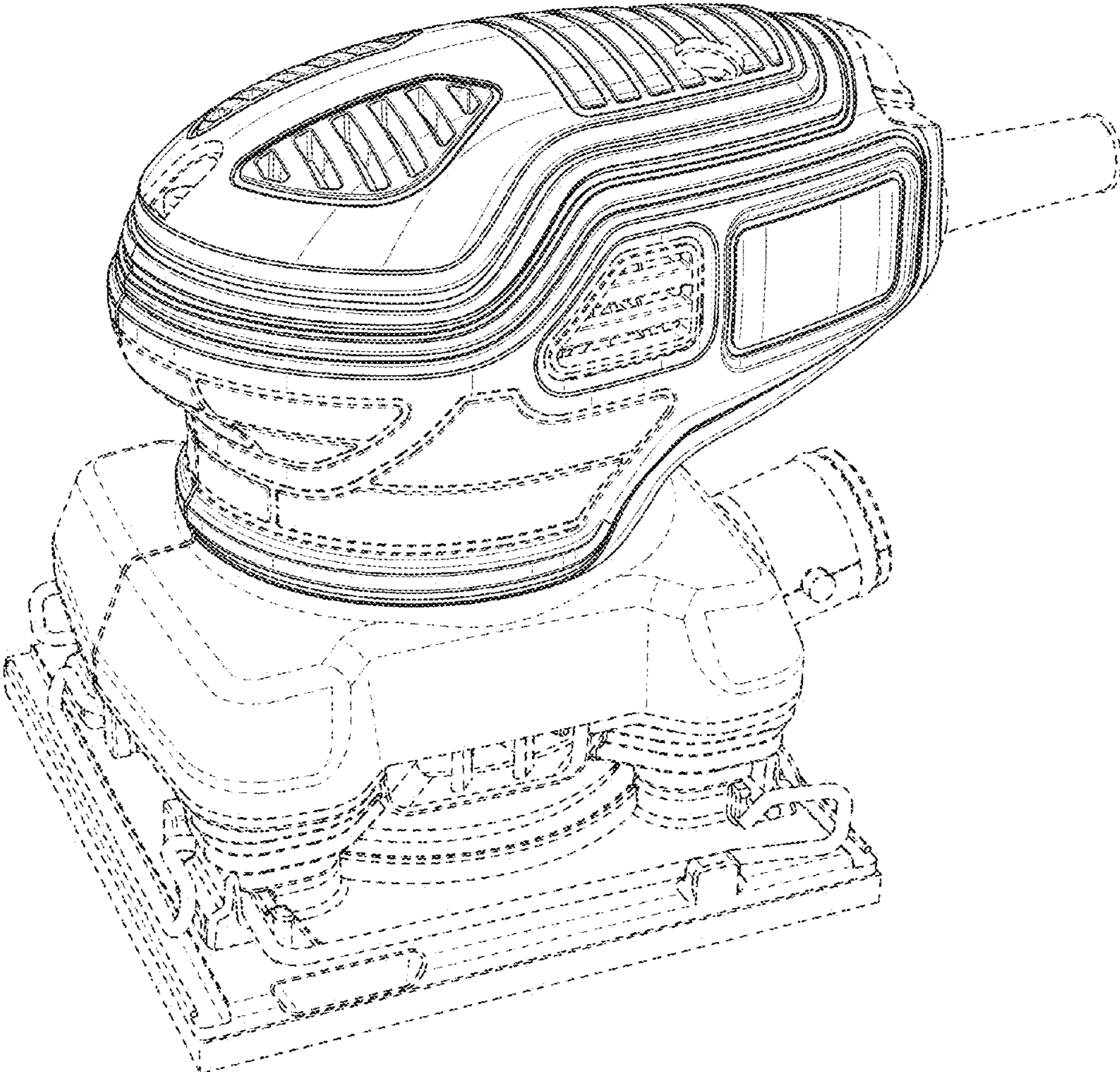


FIG. 1

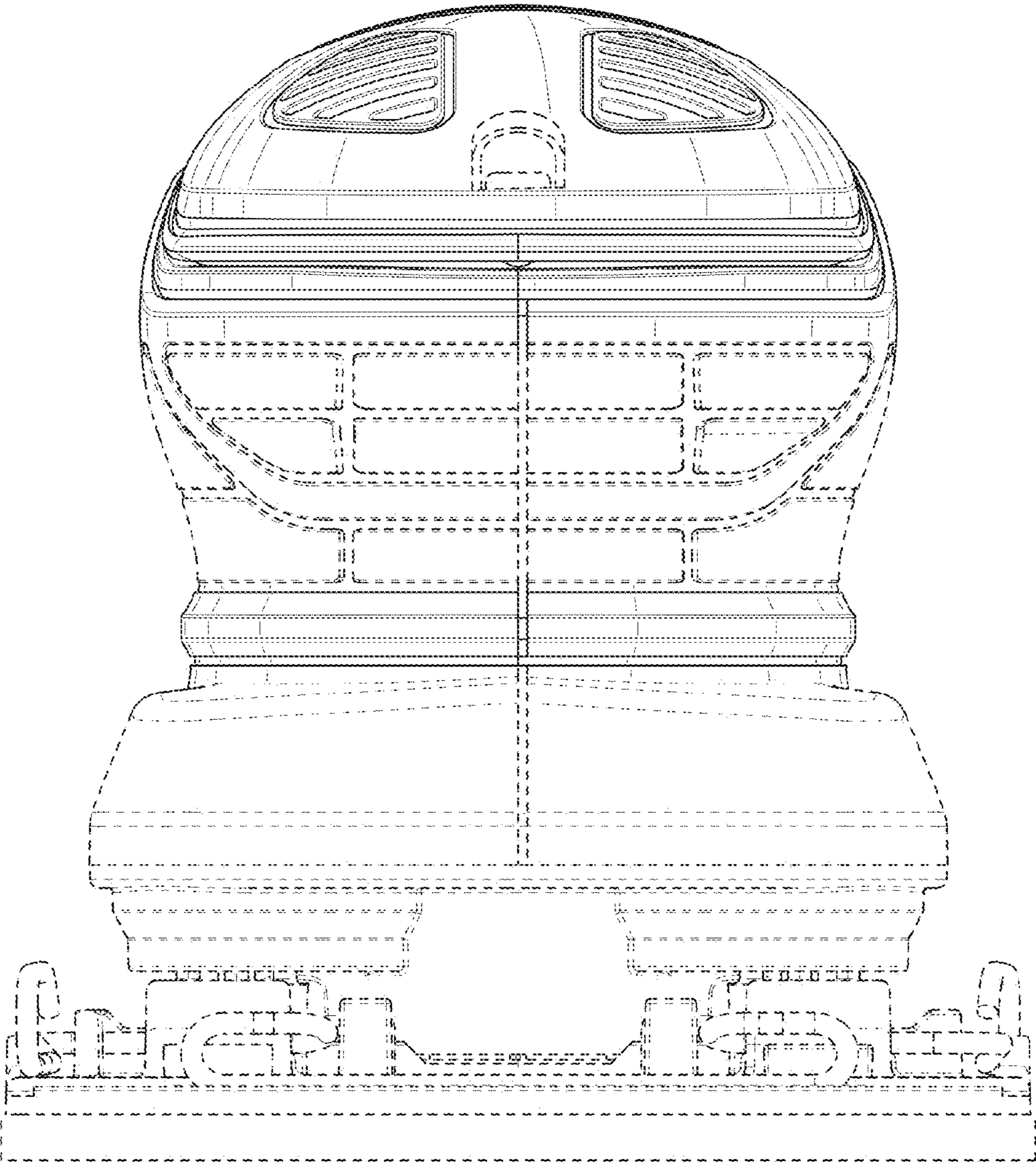


FIG. 2

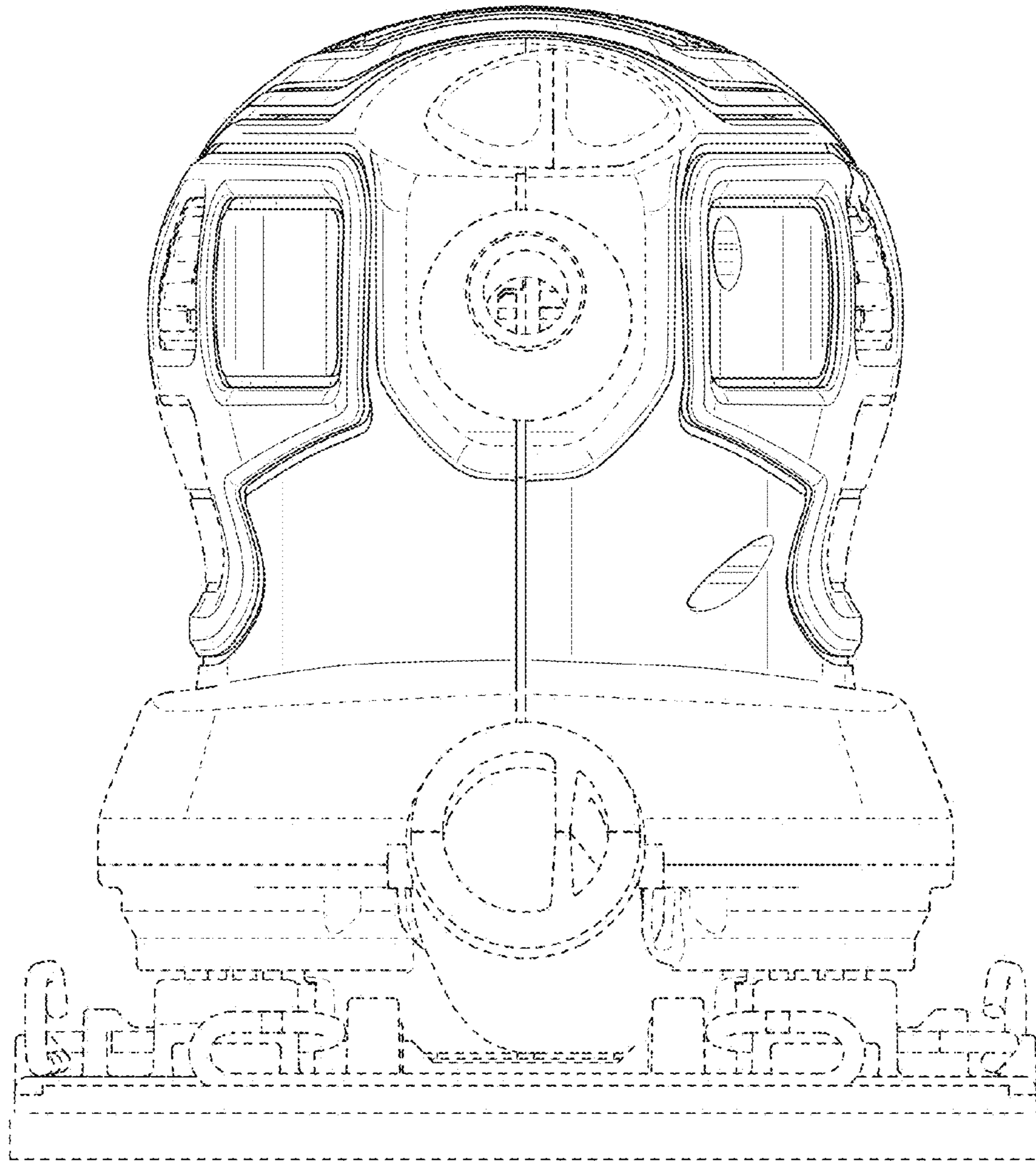


FIG. 3

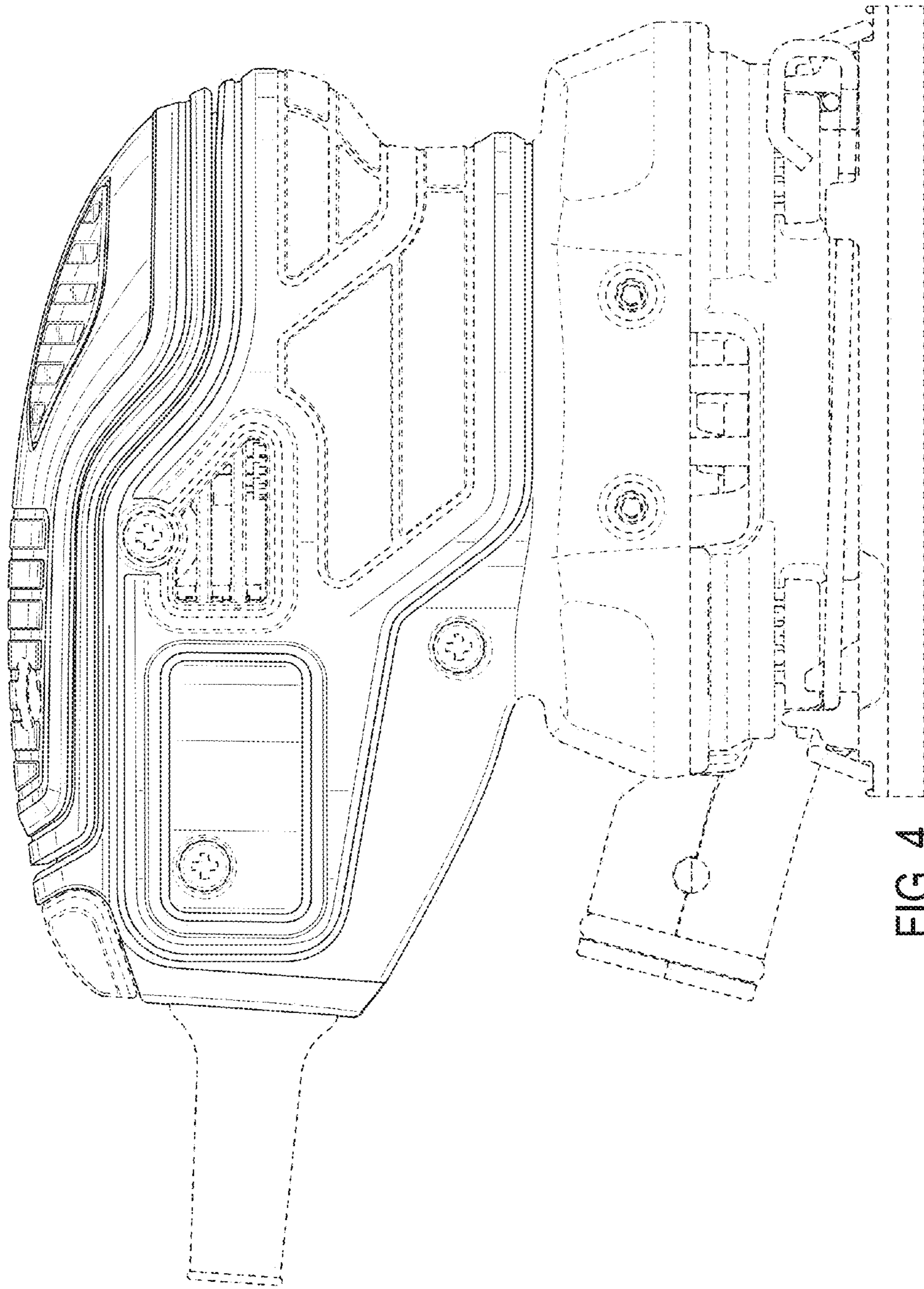


FIG. 4

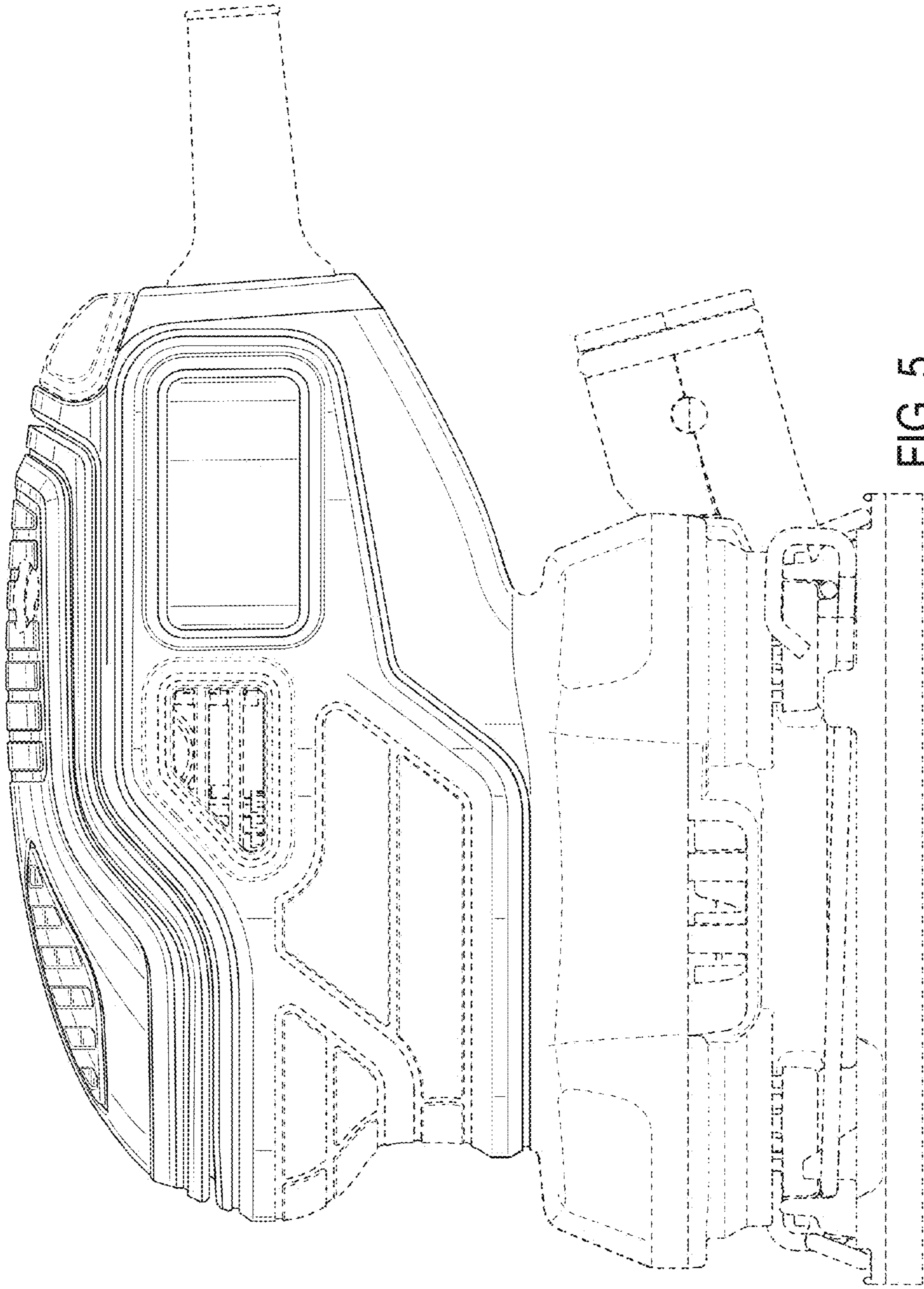


FIG. 5

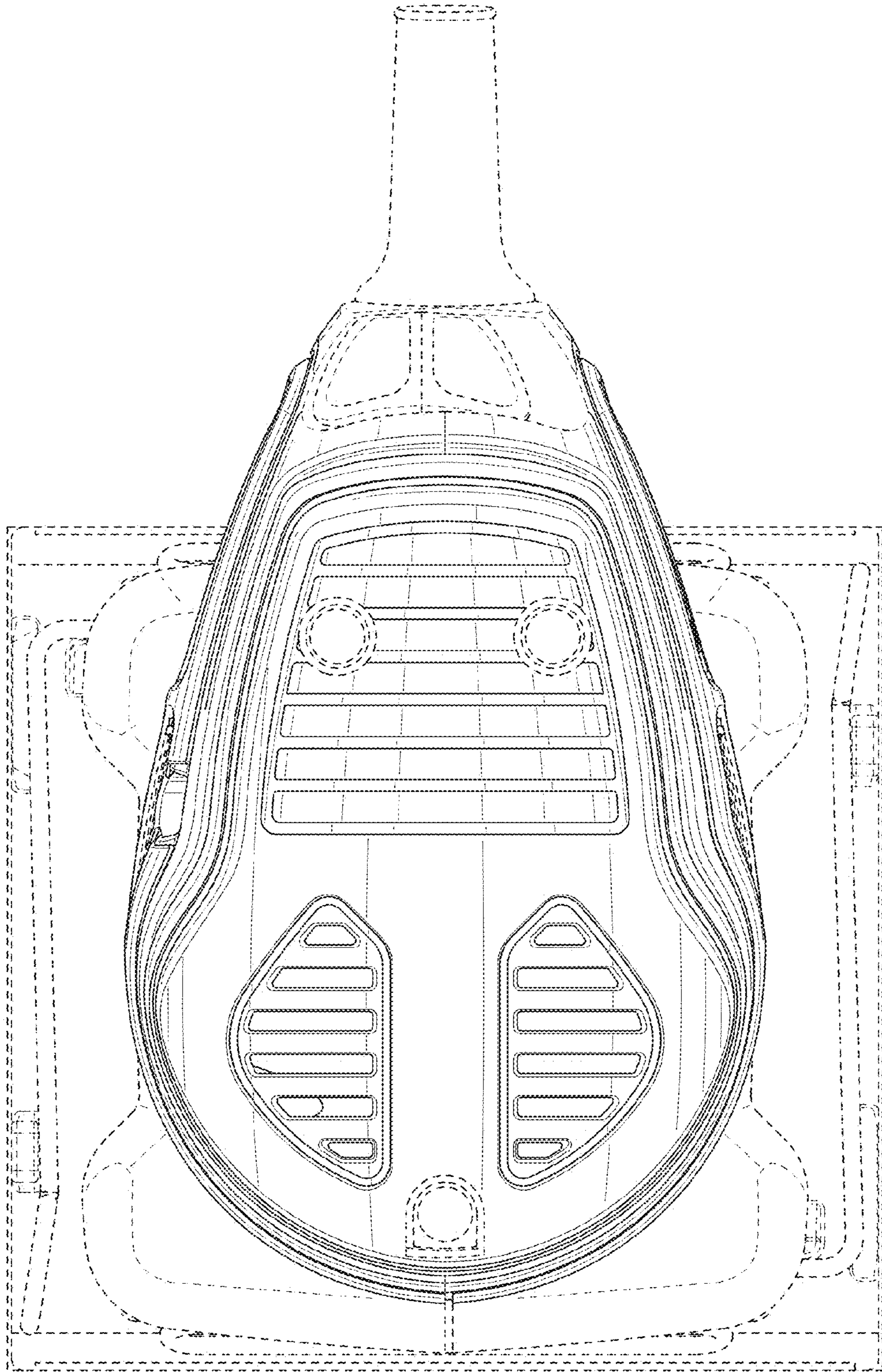


FIG. 6

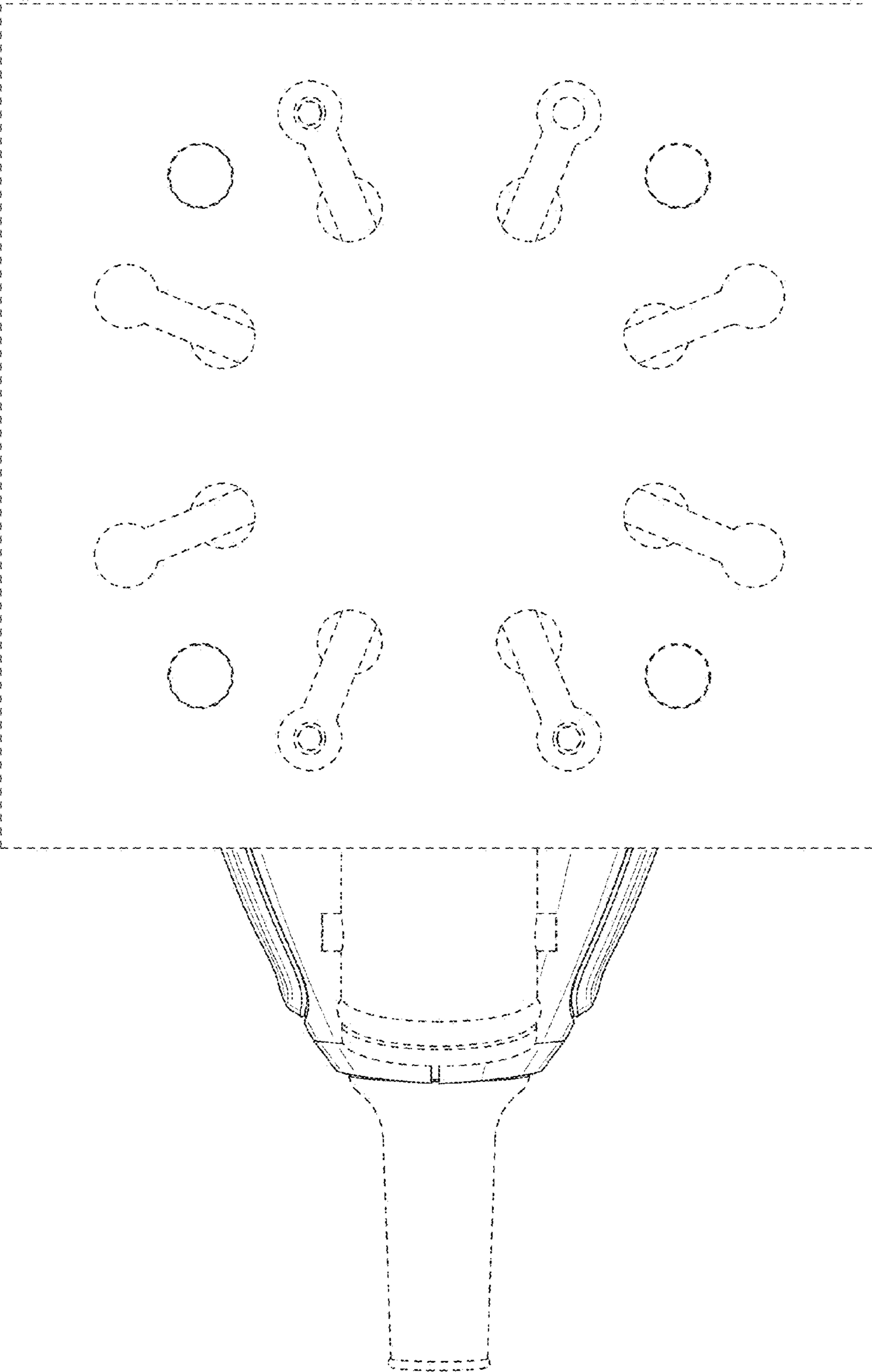


FIG. 7

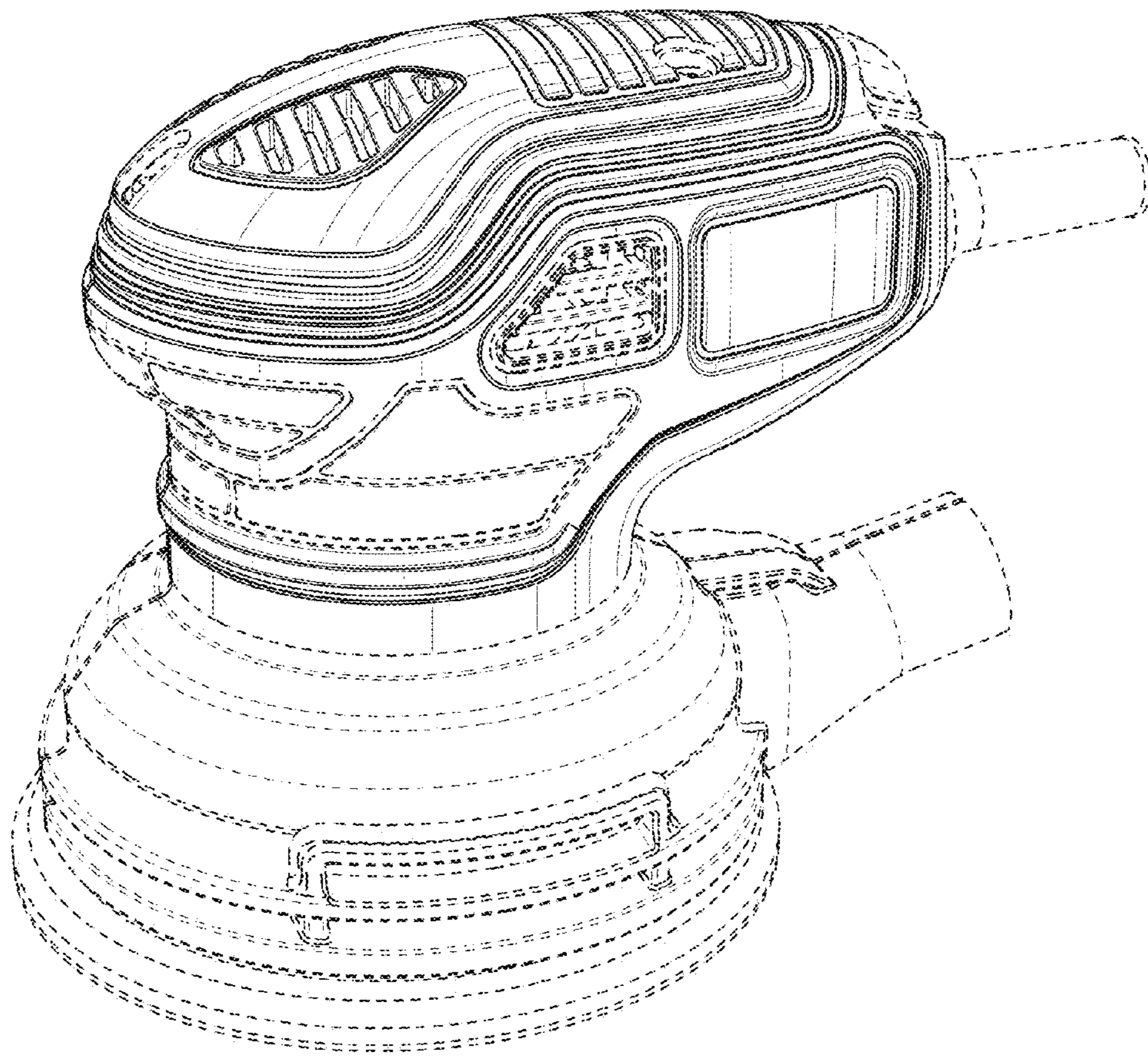


FIG. 8

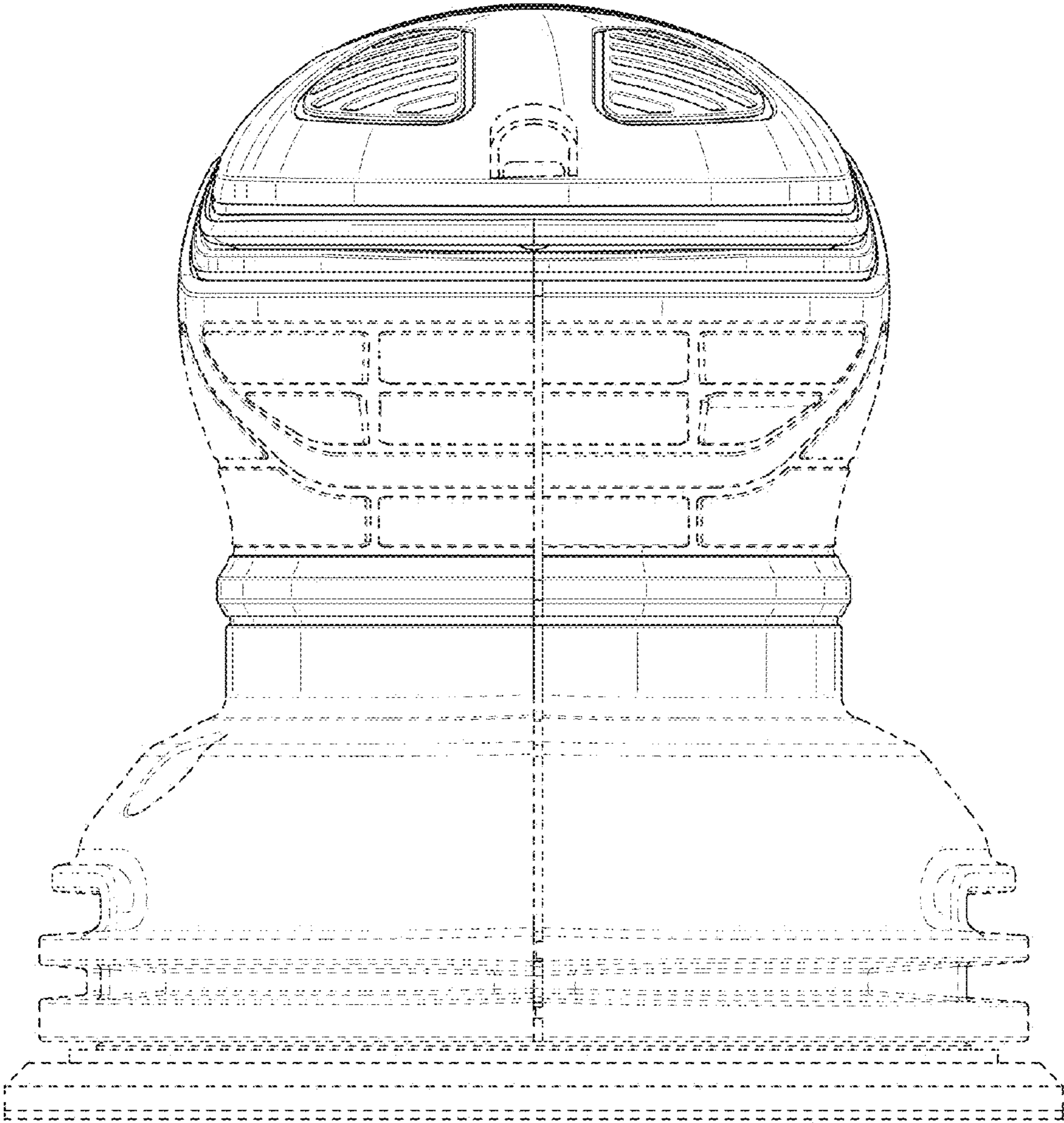


FIG. 9

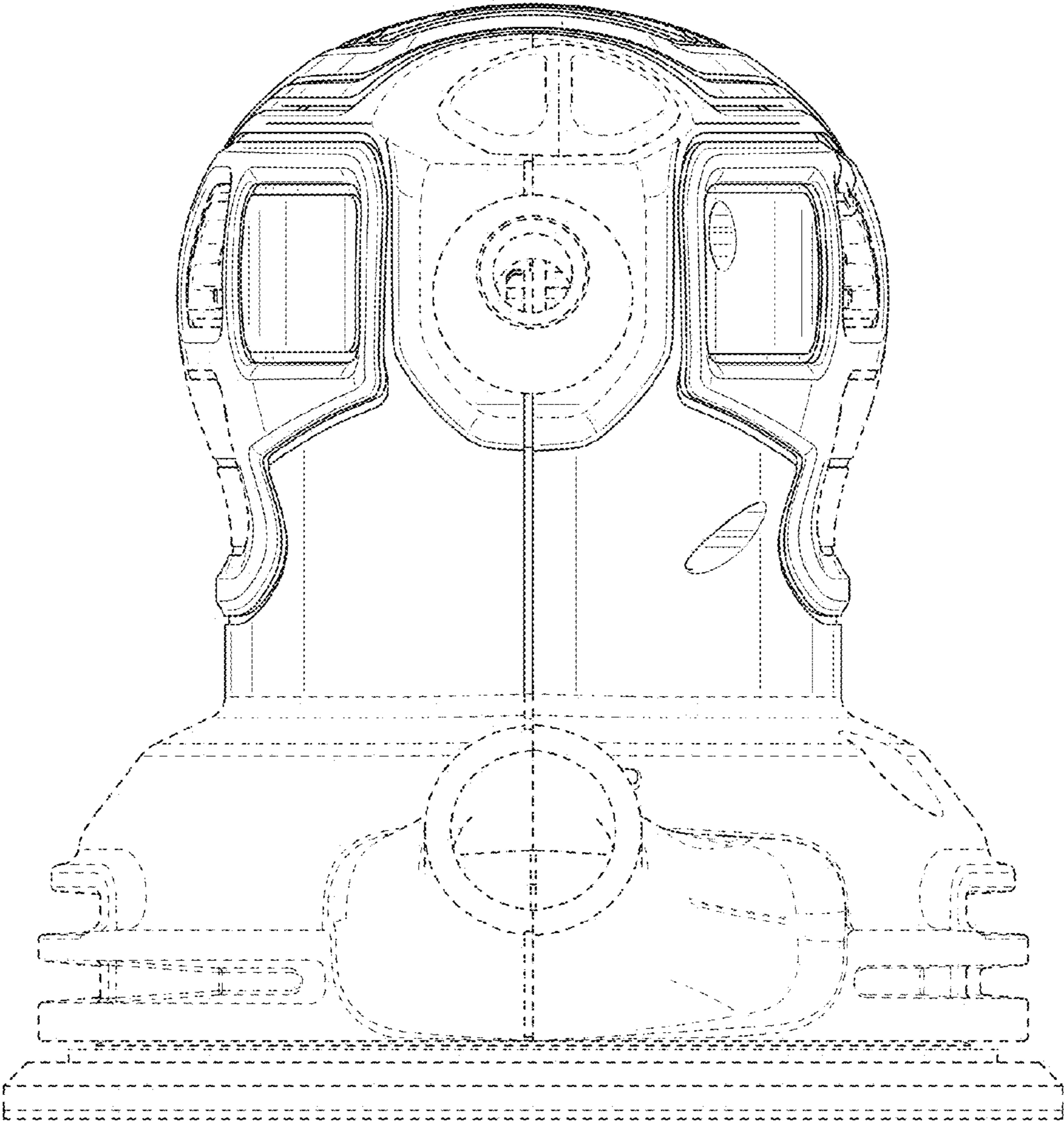


FIG. 10

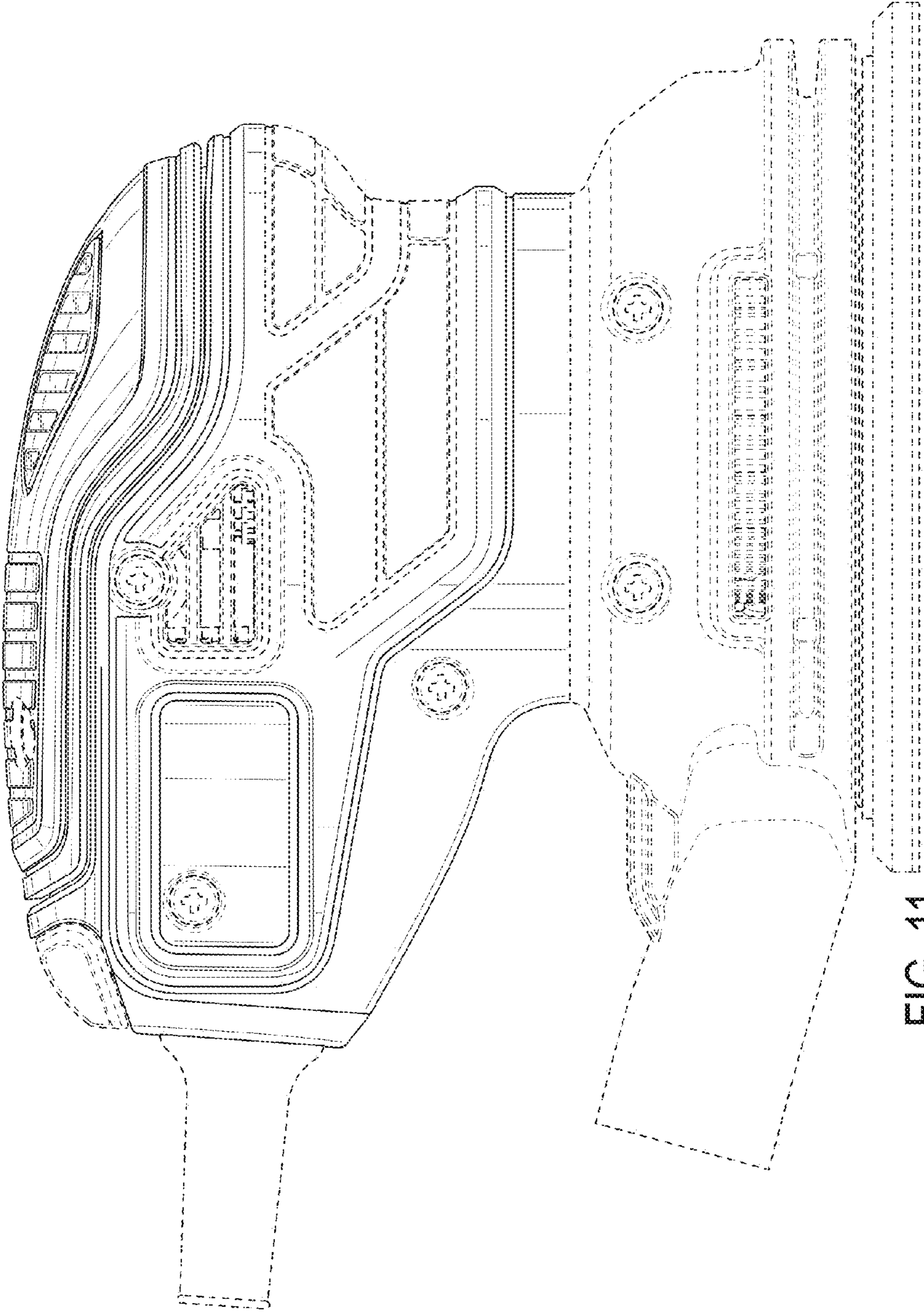


FIG. 11

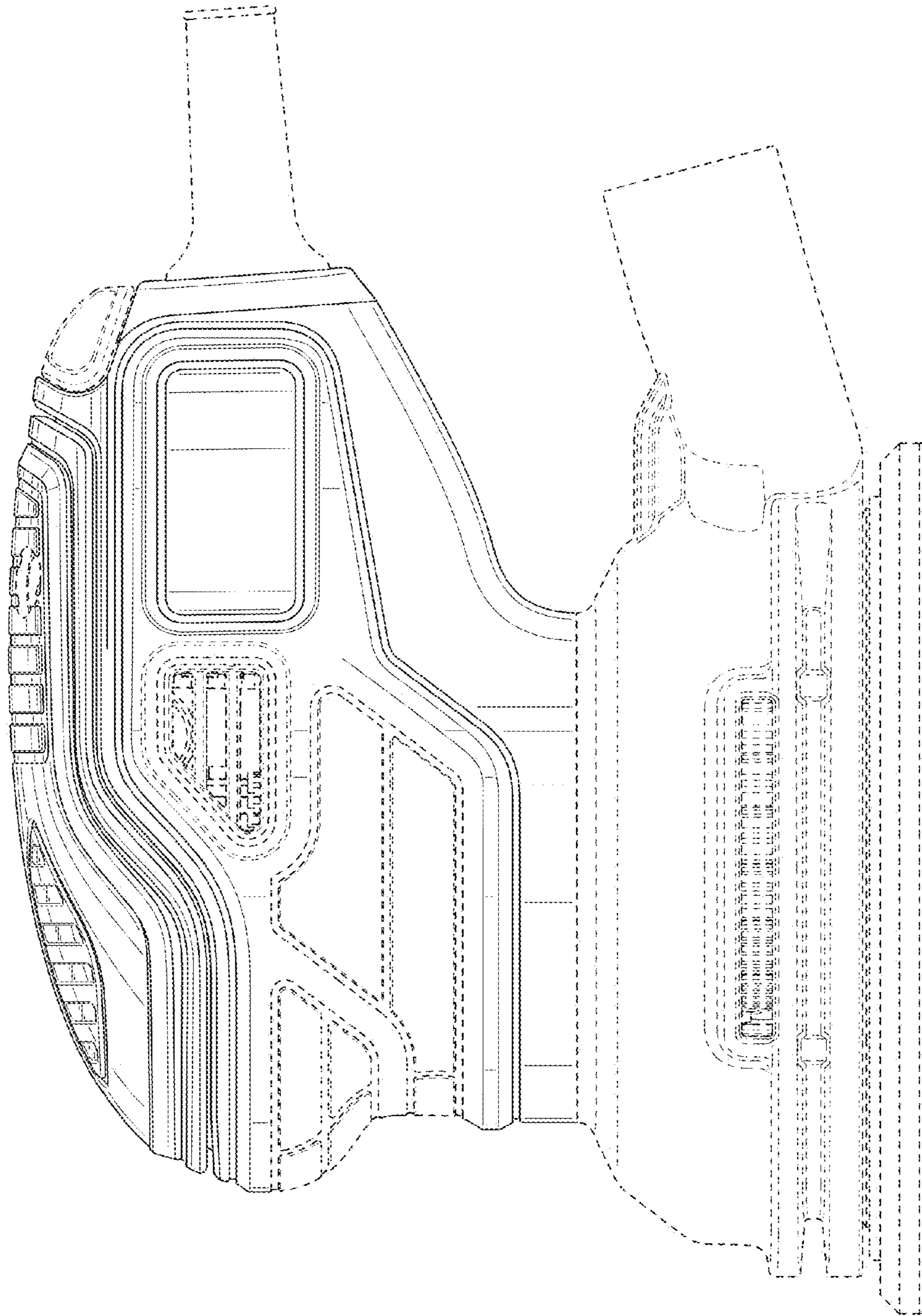


FIG. 12

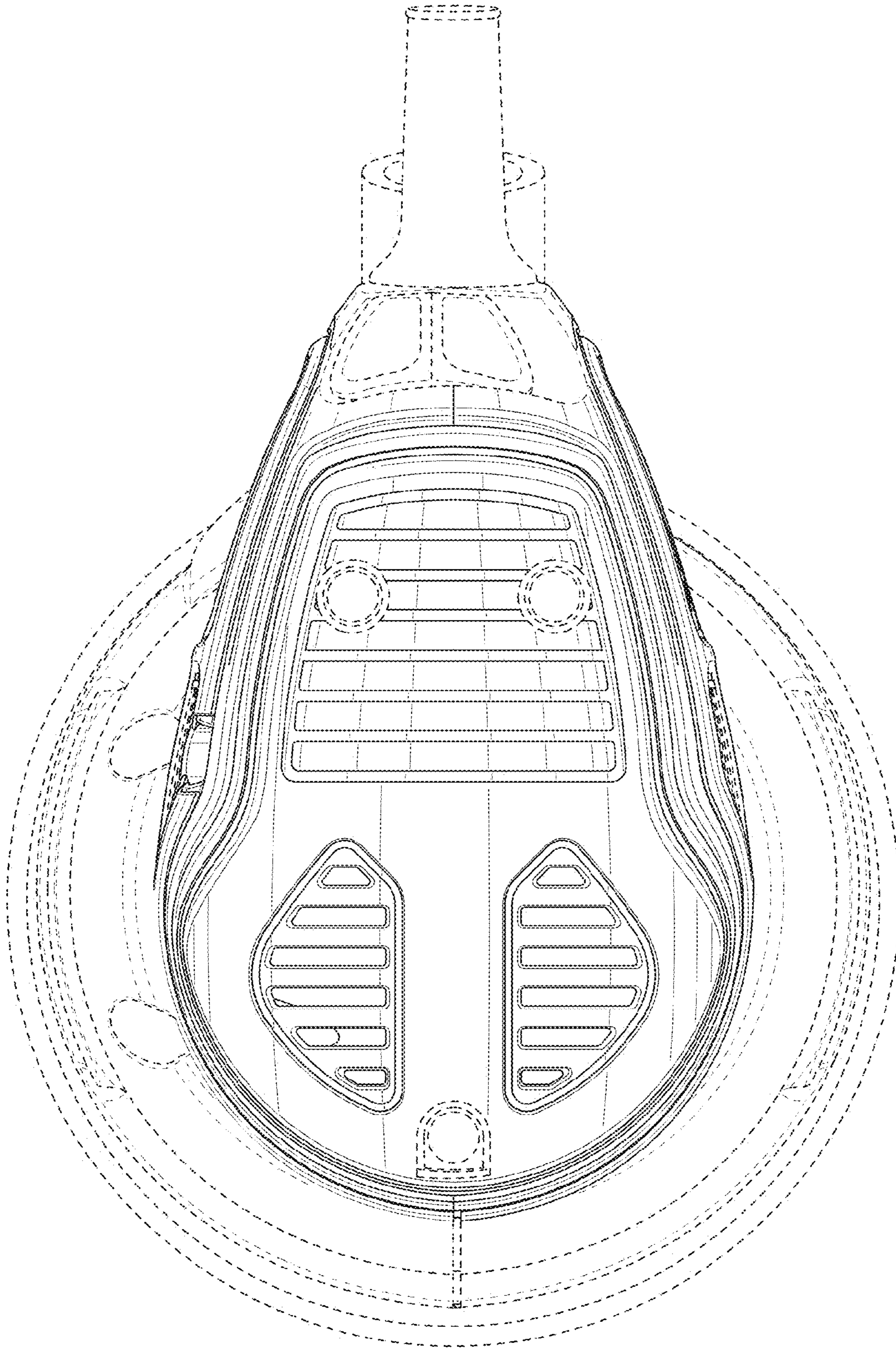


FIG. 13

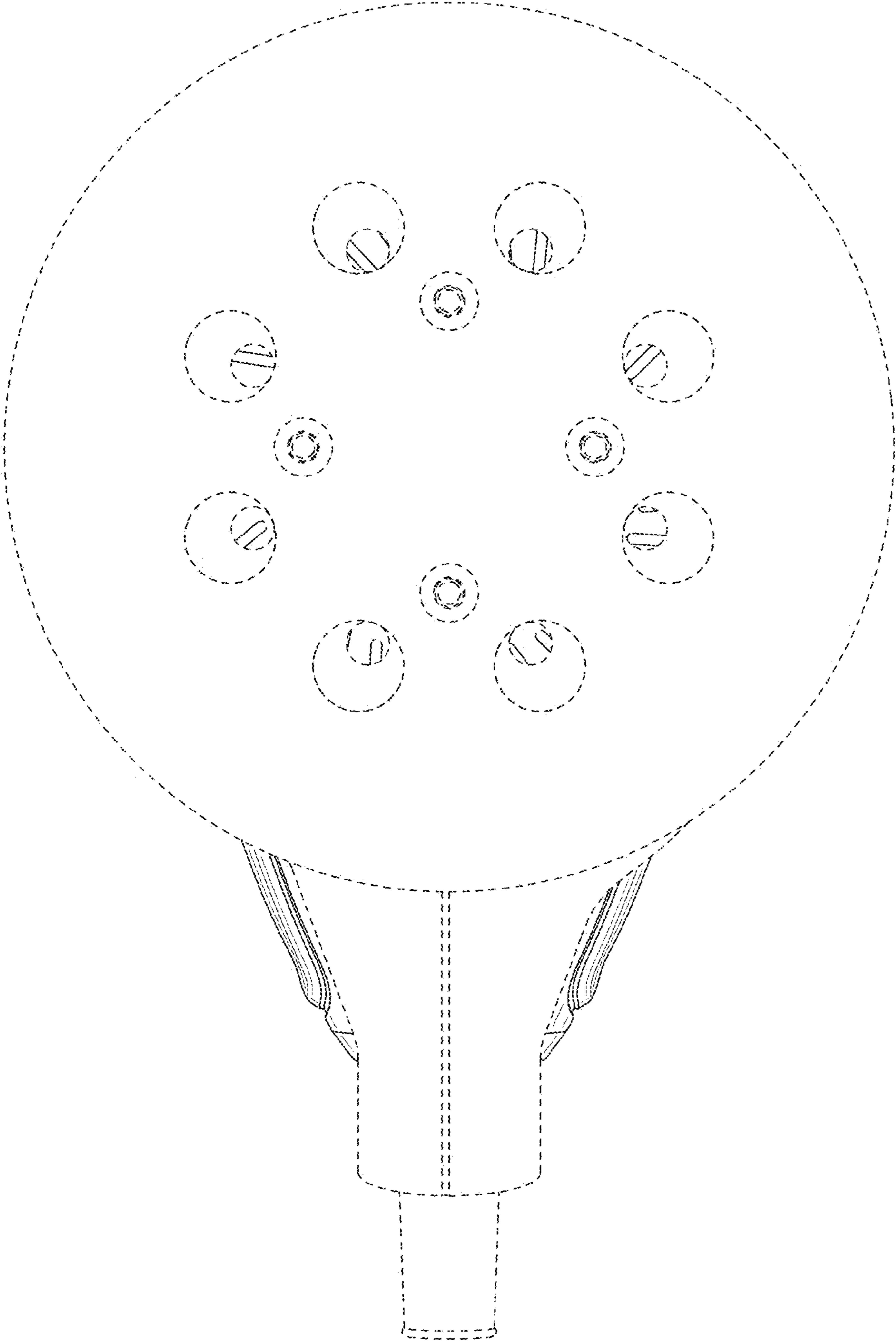


FIG. 14