



US00D718995S

(12) **United States Design Patent**  
**Robinson**

(10) **Patent No.:** **US D718,995 S**  
(45) **Date of Patent:** **\*\* Dec. 9, 2014**

- (54) **WRENCH**
- (71) Applicant: **Glenn Robinson**, Parkland, FL (US)
- (72) Inventor: **Glenn Robinson**, Parkland, FL (US)
- (73) Assignee: **IBT Holdings, LLC**, Deerfield Beach, FL (US)

D313,925	S	*	1/1991	Cone	.....	D8/22
5,415,064	A	*	5/1995	Chang	.....	81/166
D390,764	S	*	2/1998	Boyd et al.	.....	D8/22
D394,793	S	*	6/1998	Ma	.....	D8/105
D409,462	S	*	5/1999	Neff	.....	D8/22
6,240,814	B1	*	6/2001	Boyd et al.	.....	81/170
6,334,373	B1	*	1/2002	Hsieh	.....	81/60
7,197,966	B1	*	4/2007	Hsieh	.....	81/177.9
D580,721	S	*	11/2008	Chen	.....	D8/25
8,459,151	B2	*	6/2013	Wang et al.	.....	81/63.2

(\*\*) Term: **14 Years**

\* cited by examiner

(21) Appl. No.: **29/463,916**

*Primary Examiner* — Randall Gholson

(22) Filed: **Apr. 7, 2014**

(74) *Attorney, Agent, or Firm* — Dan DeLaRosa

(51) **LOC (10) Cl.** ..... **08-05**

(57) **CLAIM**

(52) **U.S. Cl.**

The ornamental design for a wrench, as shown and described.

USPC ..... **D8/22**

(58) **Field of Classification Search**

**DESCRIPTION**

USPC ..... D8/17, 21–29, 354, 107; 81/60, 177.1, 81/177.85, 121.1, 124.3, 165–170, 110.1, 81/176.2, 124.6, 176.1, 176.15, 177.2, 81/186; 16/110.1; D15/144.1, 143; 219/75, 227, 229, 121.16, 121.18

FIG. 1 is a front perspective view of the wrench of the present invention showing my new design;  
FIG. 2 is a front side elevational view thereof;  
FIG. 3 is a back side elevational view thereof;  
FIG. 4 is a side elevational view thereof;  
FIG. 5 is another side elevational view thereof;  
FIG. 6 is a top plan view thereof; and,  
FIG. 7 is a bottom plan view thereof.

See application file for complete search history.

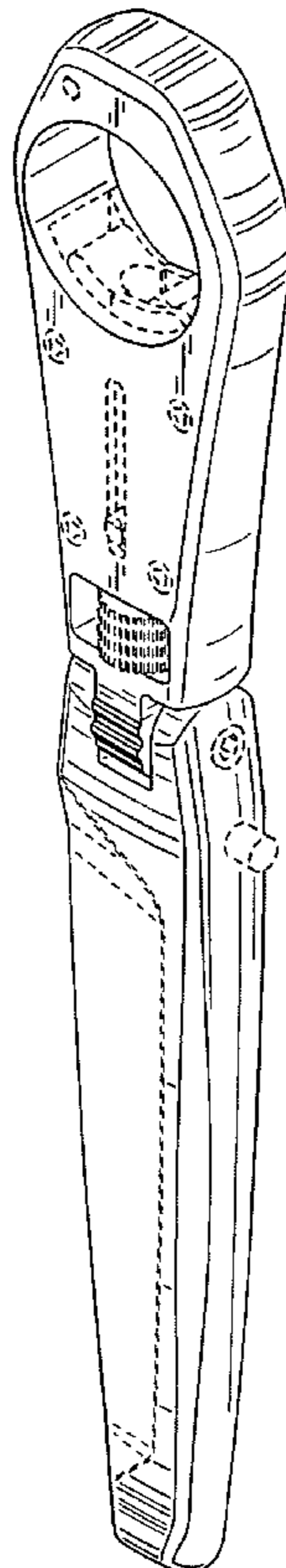
The broken lines shown in the drawings show unclaimed subject matter only and form no part of the claimed design.

(56) **References Cited**

U.S. PATENT DOCUMENTS

2,912,891	A	*	11/1959	Neff	.....	81/167
4,787,275	A	*	11/1988	Colvin	.....	81/77
D303,916	S	*	10/1989	Colvin	.....	D8/22

**1 Claim, 4 Drawing Sheets**



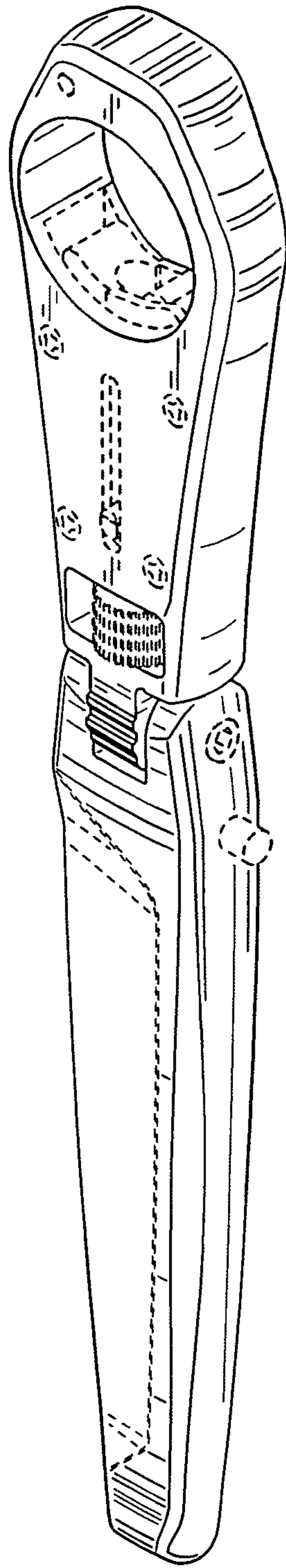


FIG. 1

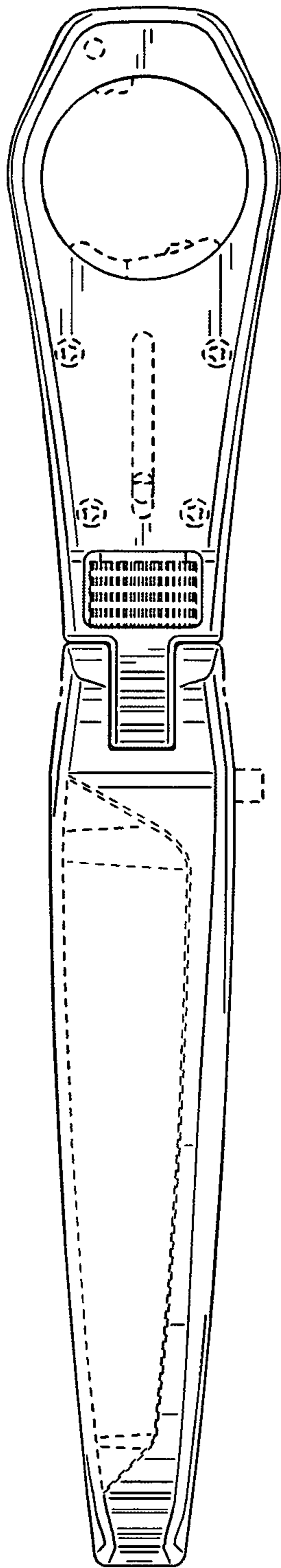


FIG. 2

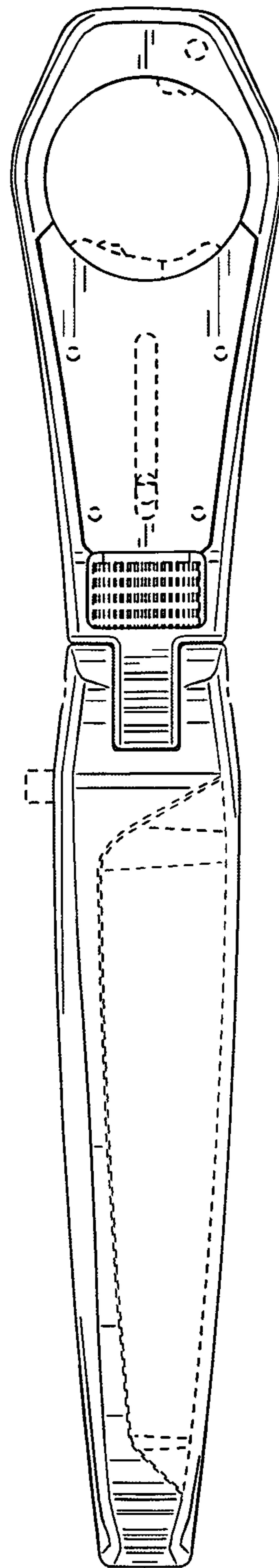


FIG. 3

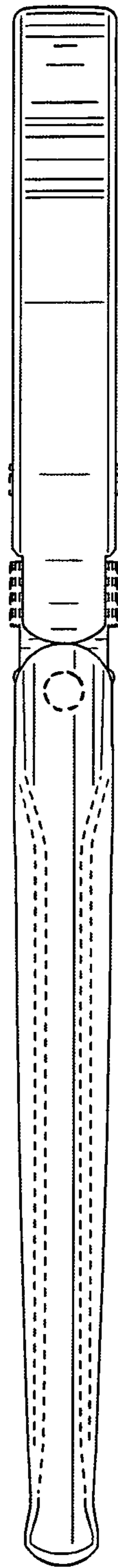


FIG. 4

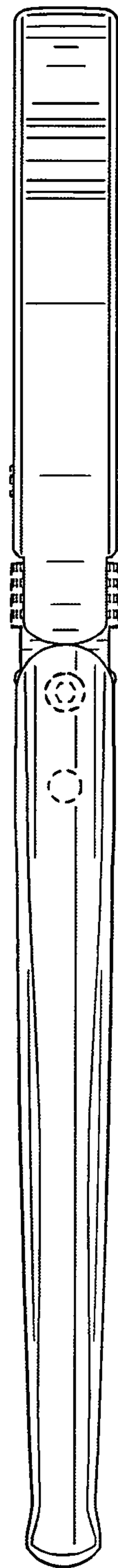


FIG. 5



FIG. 6

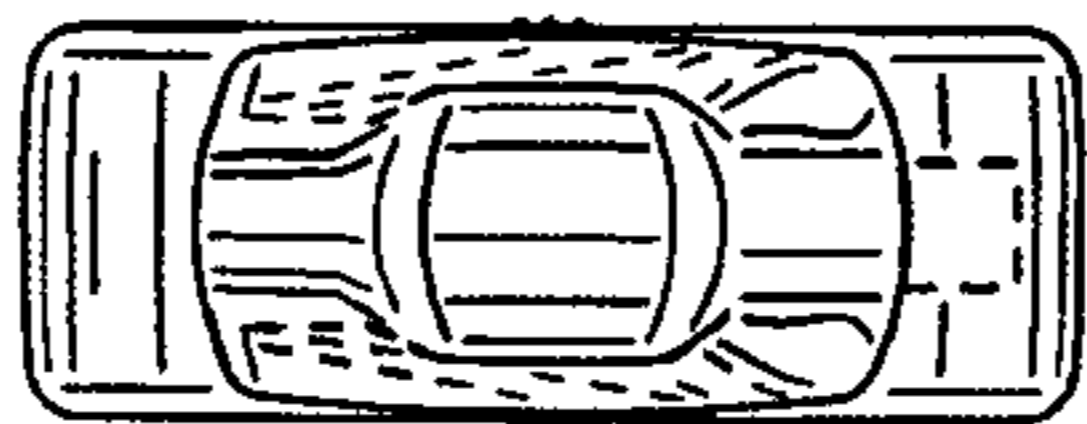


FIG. 7