



US00D718991S

(12) **United States Design Patent**
Jaskiewicz

(10) **Patent No.:** **US D718,991 S**

(45) **Date of Patent:** **** *Dec. 9, 2014**

(54) **SOD REPAIR TOOL**

(76) Inventor: **Gregory Jaskiewicz**, Rocklin, CA (US)

(*) Notice: This patent is subject to a terminal disclaimer.

(**) Term: **14 Years**

(21) Appl. No.: **29/374,043**

(22) Filed: **Jun. 27, 2011**

(51) **LOC (10) Cl.** **08-01**

(52) **U.S. Cl.**
USPC **D8/1**

(58) **Field of Classification Search**
USPC D8/1; 47/47; 172/21-22; 294/49, 50.6,
294/50.8

See application file for complete search history.

(56) **References Cited**

U.S. PATENT DOCUMENTS

1,866,073	A *	7/1932	Aberle	172/13
3,534,994	A *	10/1970	Sterk	111/101
D251,698	S *	5/1979	Bartholomew, Jr.	D8/5
D302,512	S *	8/1989	Slayton	D8/7
D306,247	S *	2/1990	Shields	D8/8
4,932,339	A *	6/1990	List	111/106
D342,651	S *	12/1993	Manos	D8/1
D411,944	S *	7/1999	Lanz	D8/7
D423,889	S *	5/2000	Heffner	D8/1
D427,029	S *	6/2000	Pottmeyer	D8/1
6,386,294	B1 *	5/2002	Best	172/22
6,662,879	B1 *	12/2003	Costa	172/22

7,198,113	B1 *	4/2007	Schoppe	172/22
D541,606	S *	5/2007	Griffin et	D8/1
D560,982	S *	2/2008	Hammond, Sr.	D8/7
D569,695	S *	5/2008	Zimmer	D8/1
8,087,469	B1 *	1/2012	Bugeja	172/22

* cited by examiner

Primary Examiner — Sheryl Lane

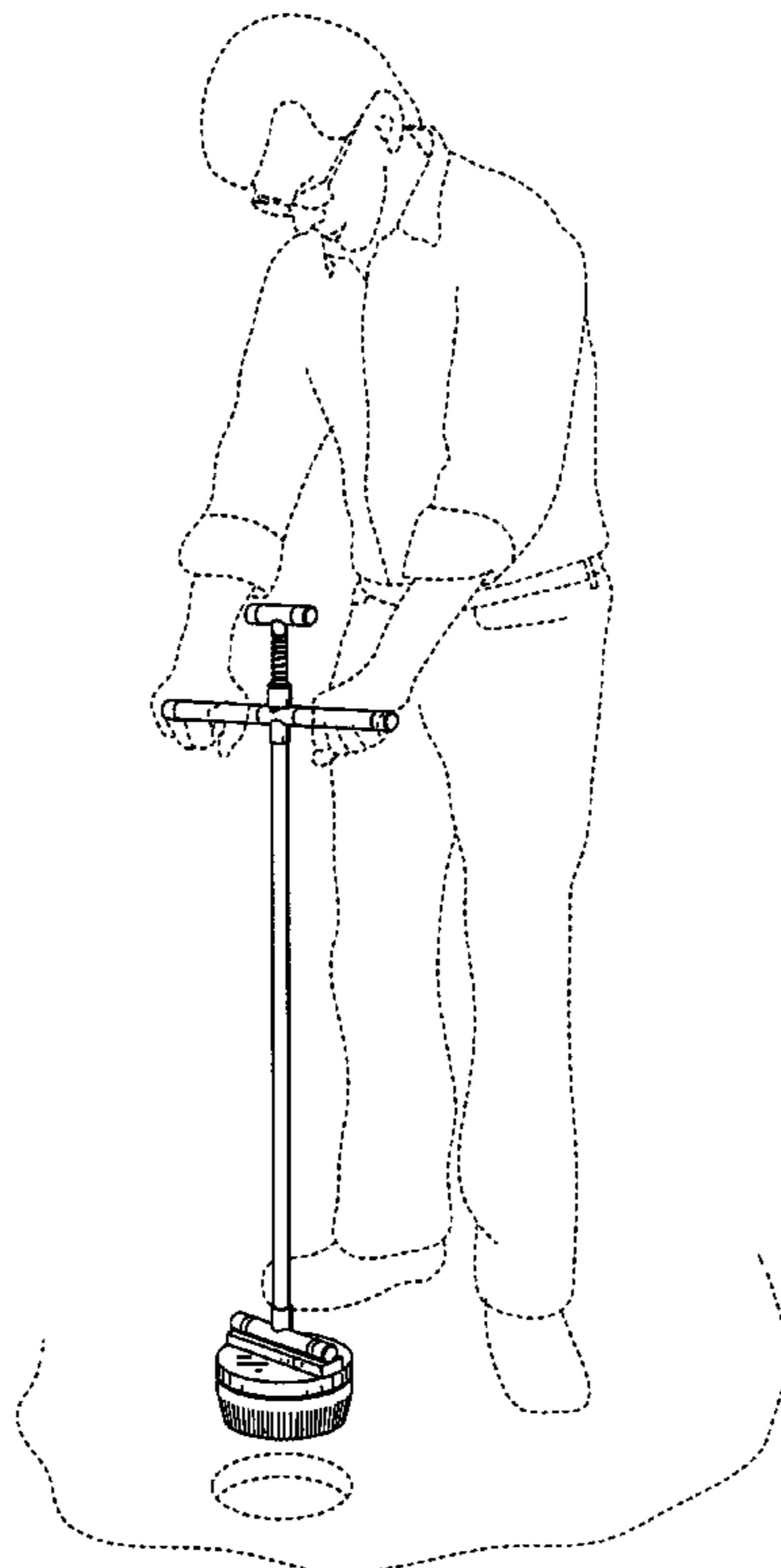
(57) **CLAIM**

The ornamental design for sod repair tool, as shown & described.

DESCRIPTION

FIG. 1 is an environmental perspective view of a sod repair tool showing my new design;
 FIG. 2 is a front elevation view. The rear elevation view is being a mirror image thereof;
 FIG. 3 is a top plan view thereof;
 FIG. 4 is a bottom view thereof, and;
 FIG. 5 is a right side elevation view. The left side elevation view is being a mirror image.
 FIG. 6 is a front elevation view of second embodiment of present invention. The rear elevation view is being a mirror image thereof;
 FIG. 7 is a top plan view thereof;
 FIG. 8 is a bottom plan view thereof; and,
 FIG. 9 is a right side elevation view. The left side elevation view is being a mirror image.
 The broken lines represent portions of the article and form no part of the claimed design.

1 Claim, 3 Drawing Sheets



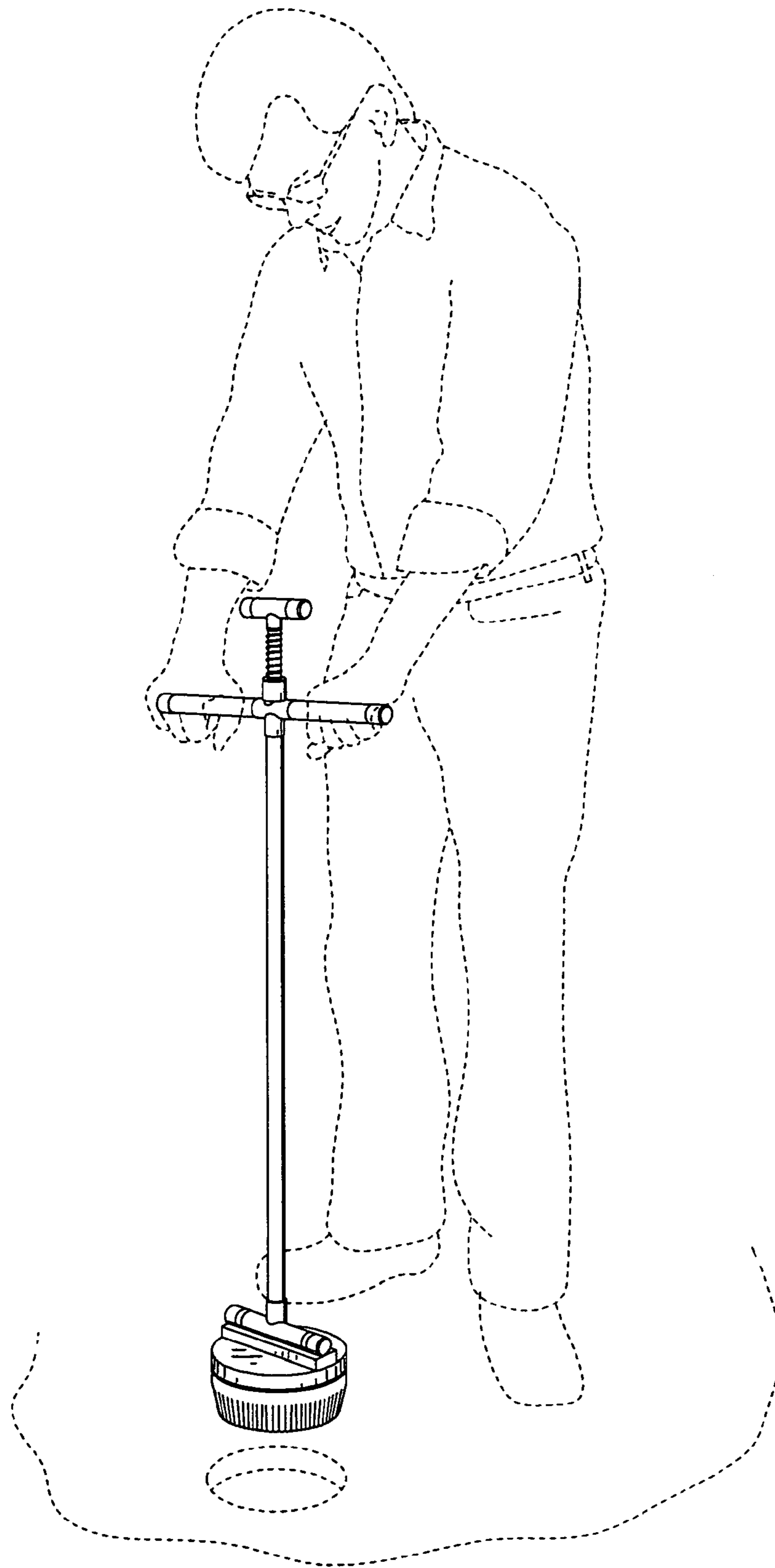


Fig. 1

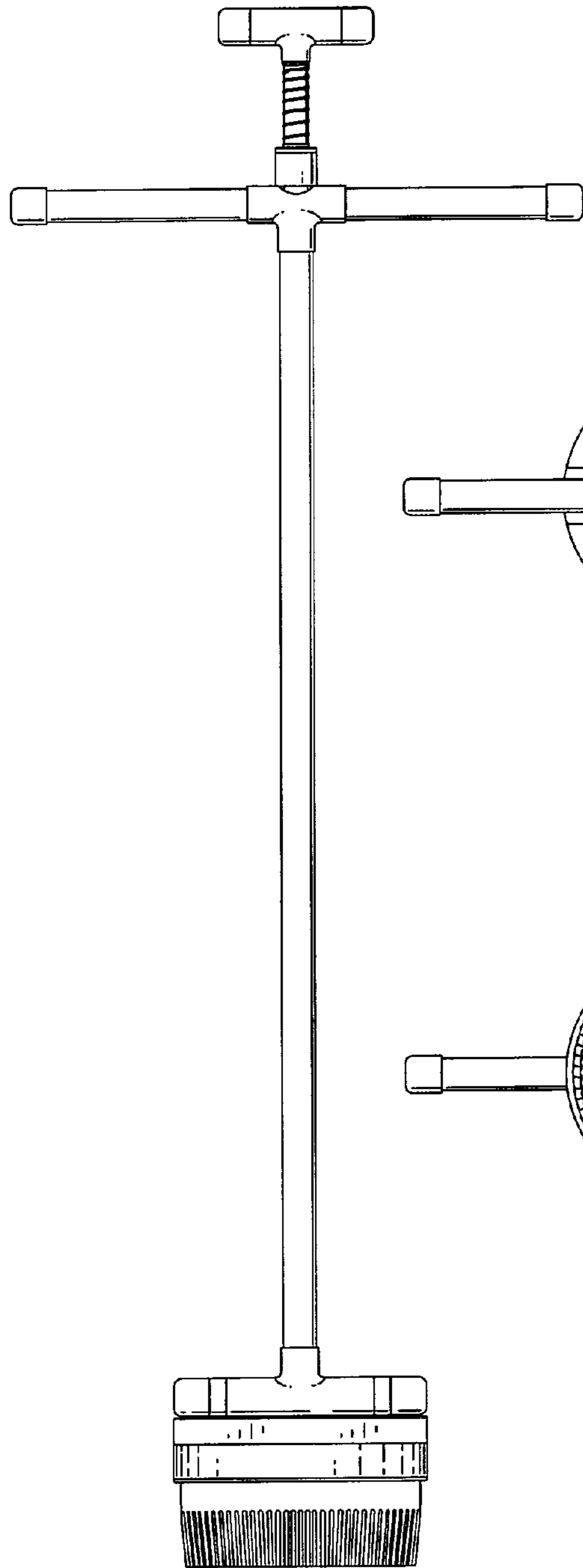


Fig. 2

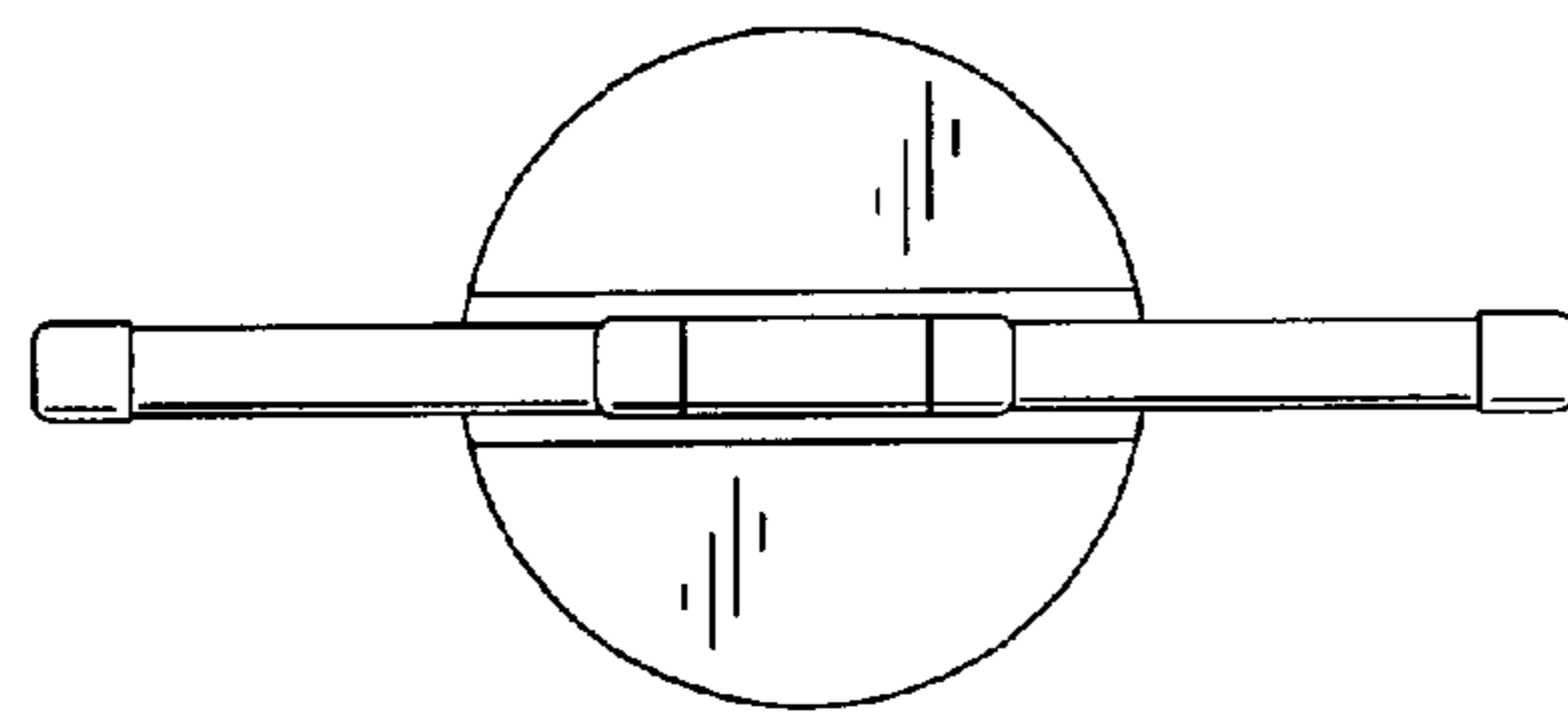


Fig. 3

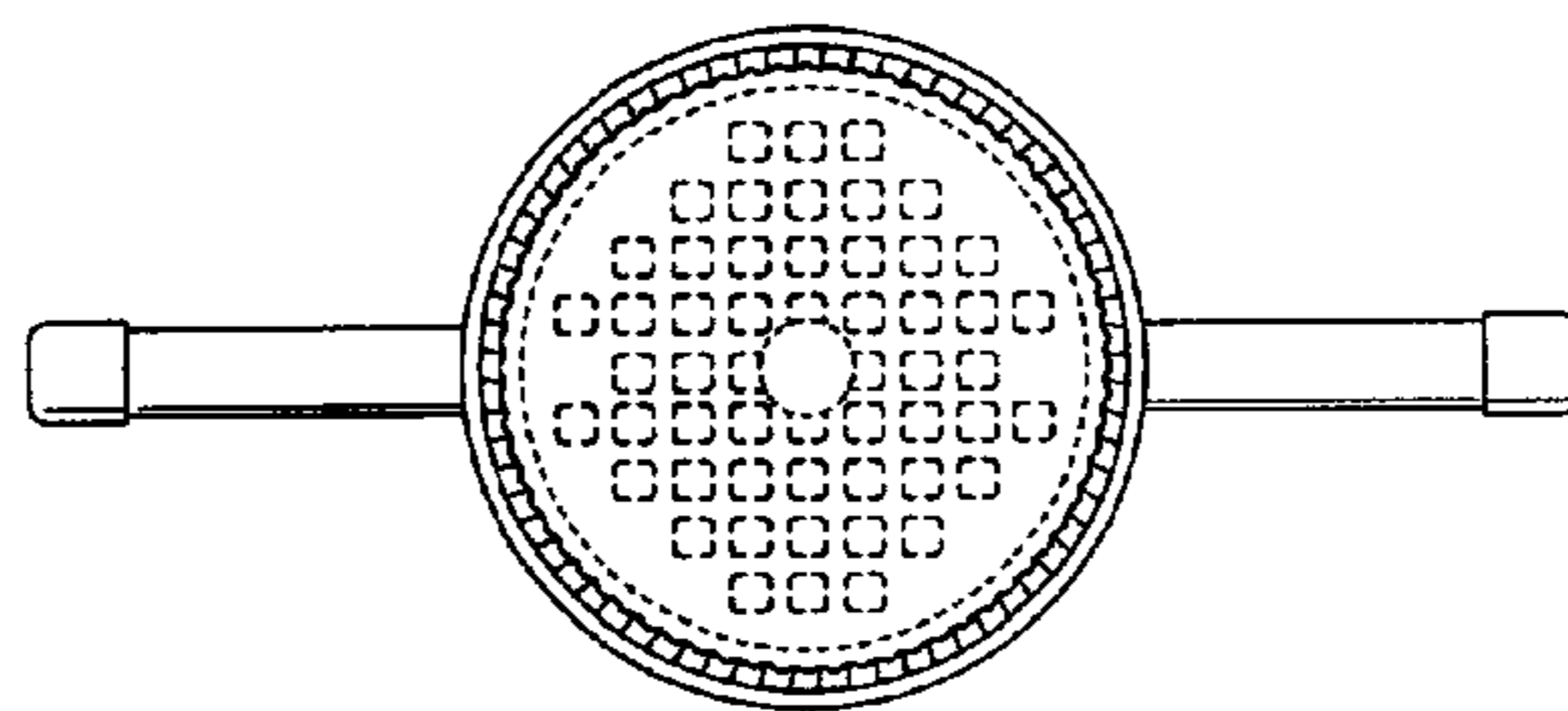


Fig. 4

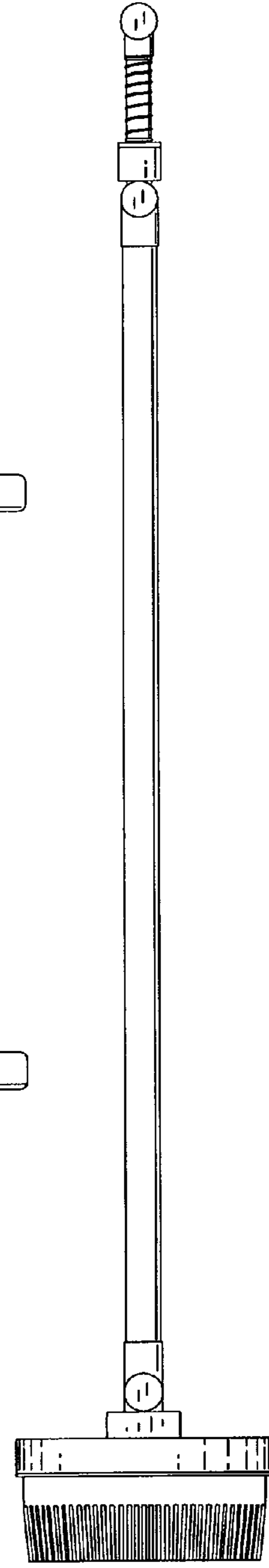


Fig. 5

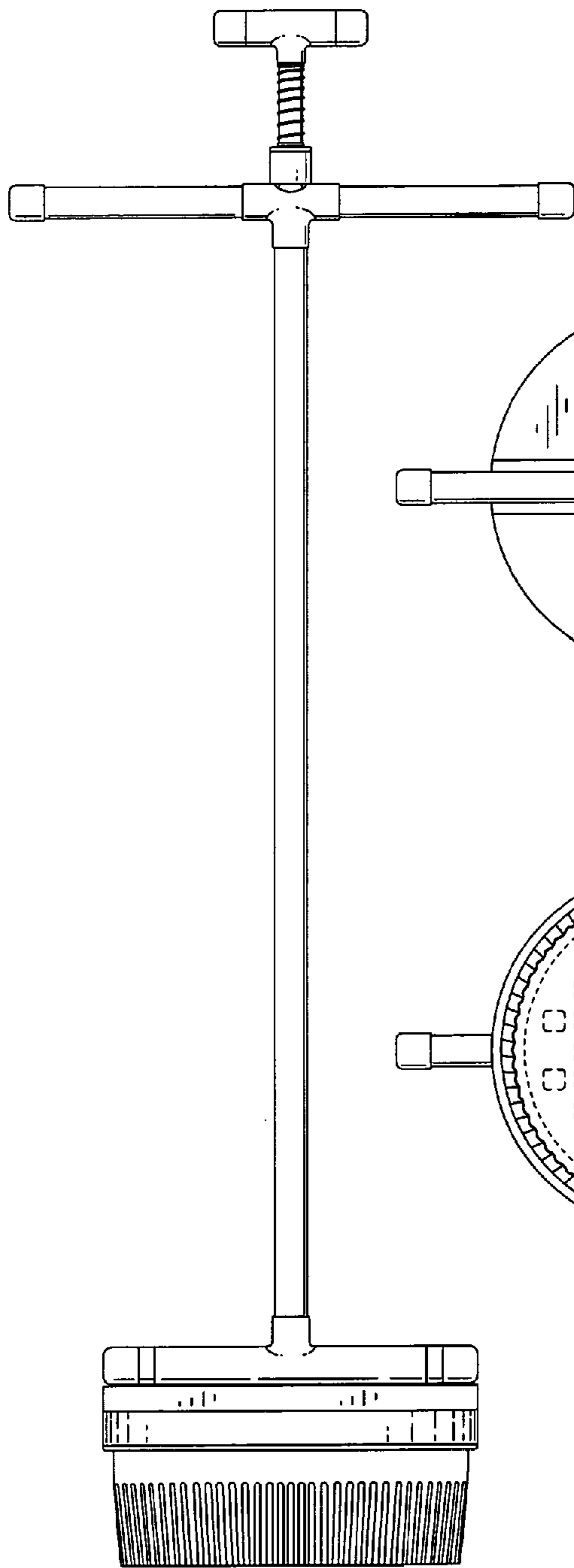


Fig. 6

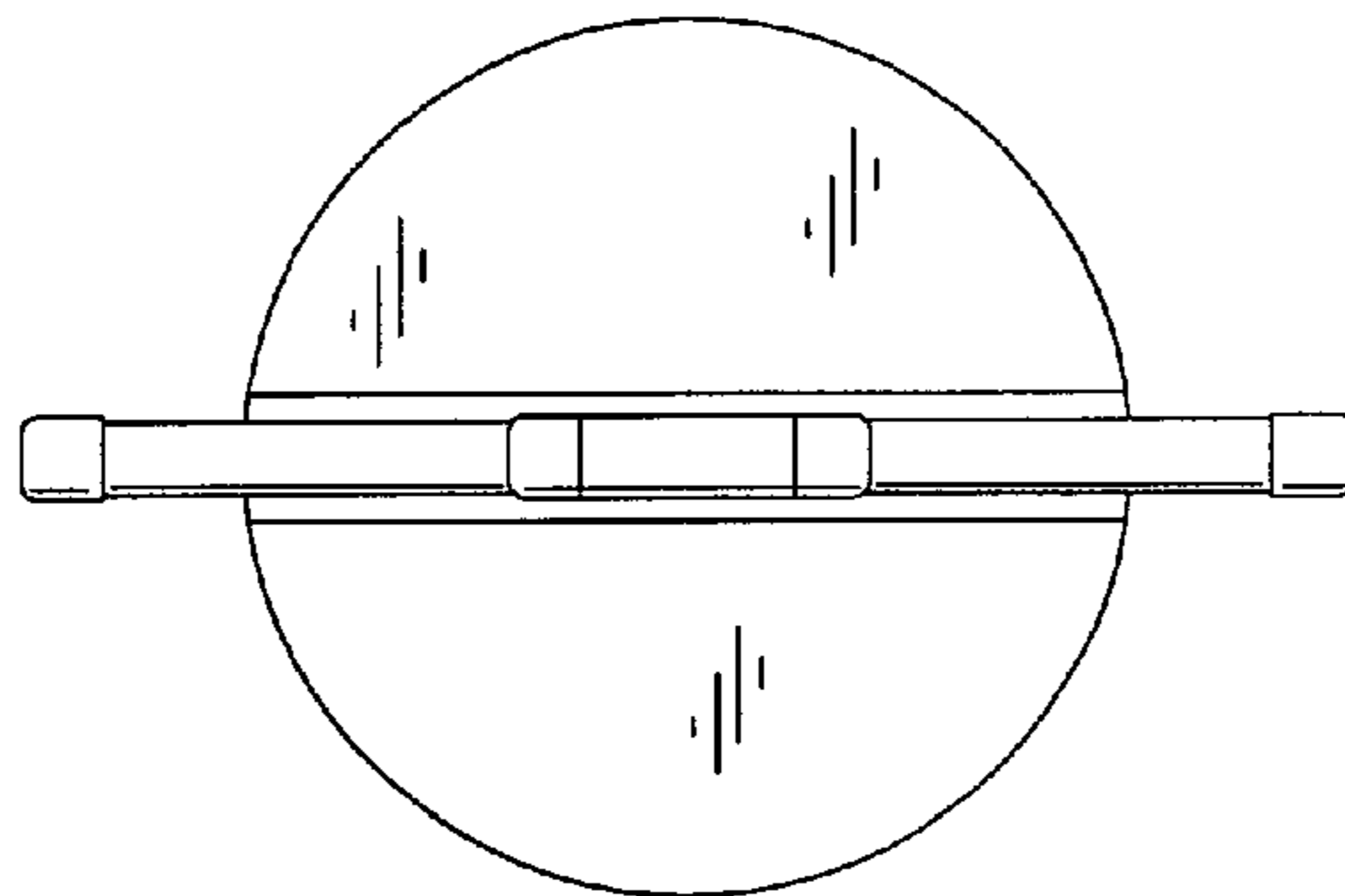


Fig. 7

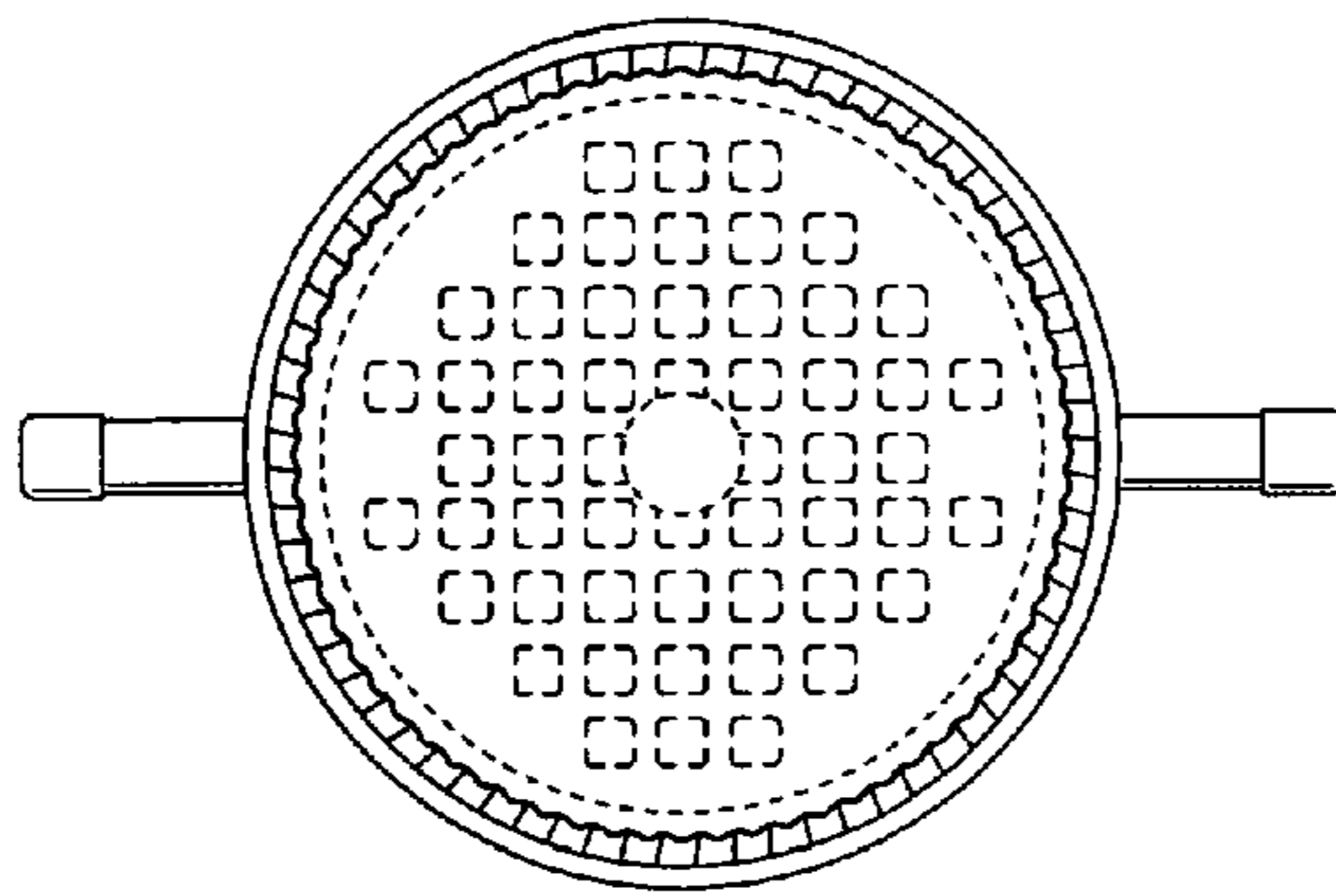


Fig. 8

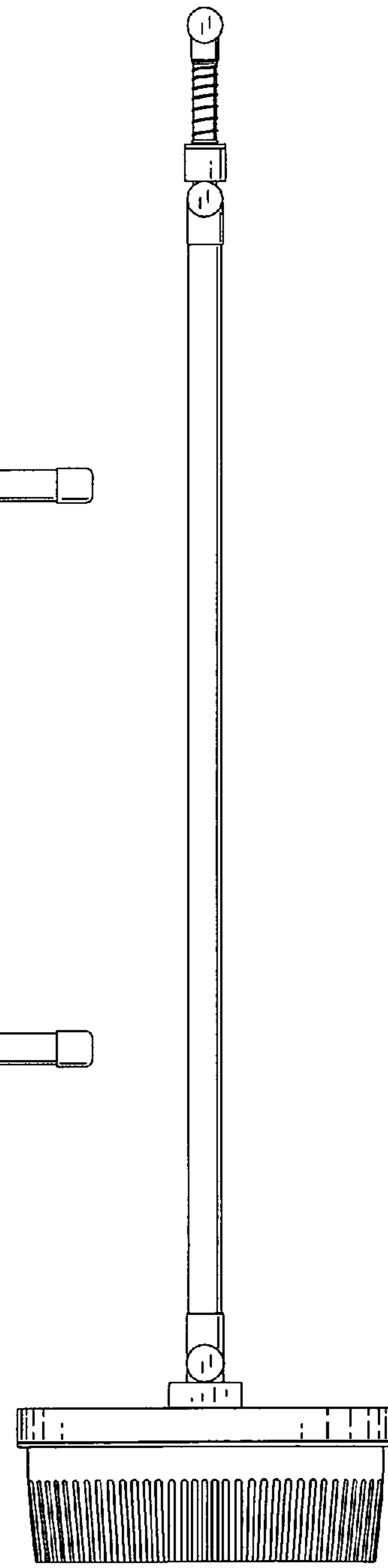


Fig. 9