



US00D718989S

(12) **United States Design Patent**  
**Hoffstadt**

(10) **Patent No.:** **US D718,989 S**

(45) **Date of Patent:** **\*\* Dec. 9, 2014**

(54) **CUTTING BOARD CONNECTOR**

(71) Applicant: **Ronald A. Hoffstadt**, Jacksonville, IL  
(US)

(72) Inventor: **Ronald A. Hoffstadt**, Jacksonville, IL  
(US)

(\*\*) Term: **14 Years**

(21) Appl. No.: **29/460,314**

(22) Filed: **Jul. 9, 2013**

(51) **LOC (10) Cl.** ..... **07-04**

(52) **U.S. Cl.**

USPC ..... **D7/698**

(58) **Field of Classification Search**

CPC ..... A21C 9/08; A47J 47/00; A47J 47/005;  
A47J 47/20; B08B 11/02; B26D 7/0006;  
B26D 7/018; B26D 7/20; B23D 21/00;  
B23K 37/04; B23K 37/053; B23Q 16/001;  
B24D 15/08

USPC ..... D7/543, 549, 550.1, 586, 698-699;  
D10/70; D32/55-57; 76/88; 99/444,  
99/446, 449; 269/13-15, 289 R, 291,  
269/297-298, 302.1, 315

See application file for complete search history.

(56) **References Cited**

**U.S. PATENT DOCUMENTS**

3,797,334 A \* 3/1974 Sinclair ..... 76/88  
5,984,294 A \* 11/1999 Bogomolny ..... 269/289 R  
6,651,970 B2 \* 11/2003 Scott ..... 269/289 R  
D570,166 S \* 6/2008 Brownlee ..... D7/698

D587,539 S \* 3/2009 Almeda et al. .... D7/698  
7,637,488 B2 \* 12/2009 Zeng ..... 269/302.1  
7,753,352 B2 \* 7/2010 Yu et al. .... 269/289 R  
D630,914 S \* 1/2011 Aviles ..... D7/698  
8,328,175 B2 \* 12/2012 O'Shea ..... 269/302.1  
D697,770 S \* 1/2014 Khuu ..... D7/698  
D712,287 S \* 9/2014 Michaelian ..... D10/70  
2002/0195763 A1 \* 12/2002 Benjamin ..... 269/289 R  
2004/0046301 A1 \* 3/2004 Thompson et al. .... 269/289 R

**OTHER PUBLICATIONS**

U.S. Appl. No. 10/687,719, filed Apr. 17, 2005, Ronald Hoffstadt,  
Front Page.

\* cited by examiner

*Primary Examiner* — Ricky Pham

(74) *Attorney, Agent, or Firm* — Law Office of Robert M.  
Patino

(57) **CLAIM**

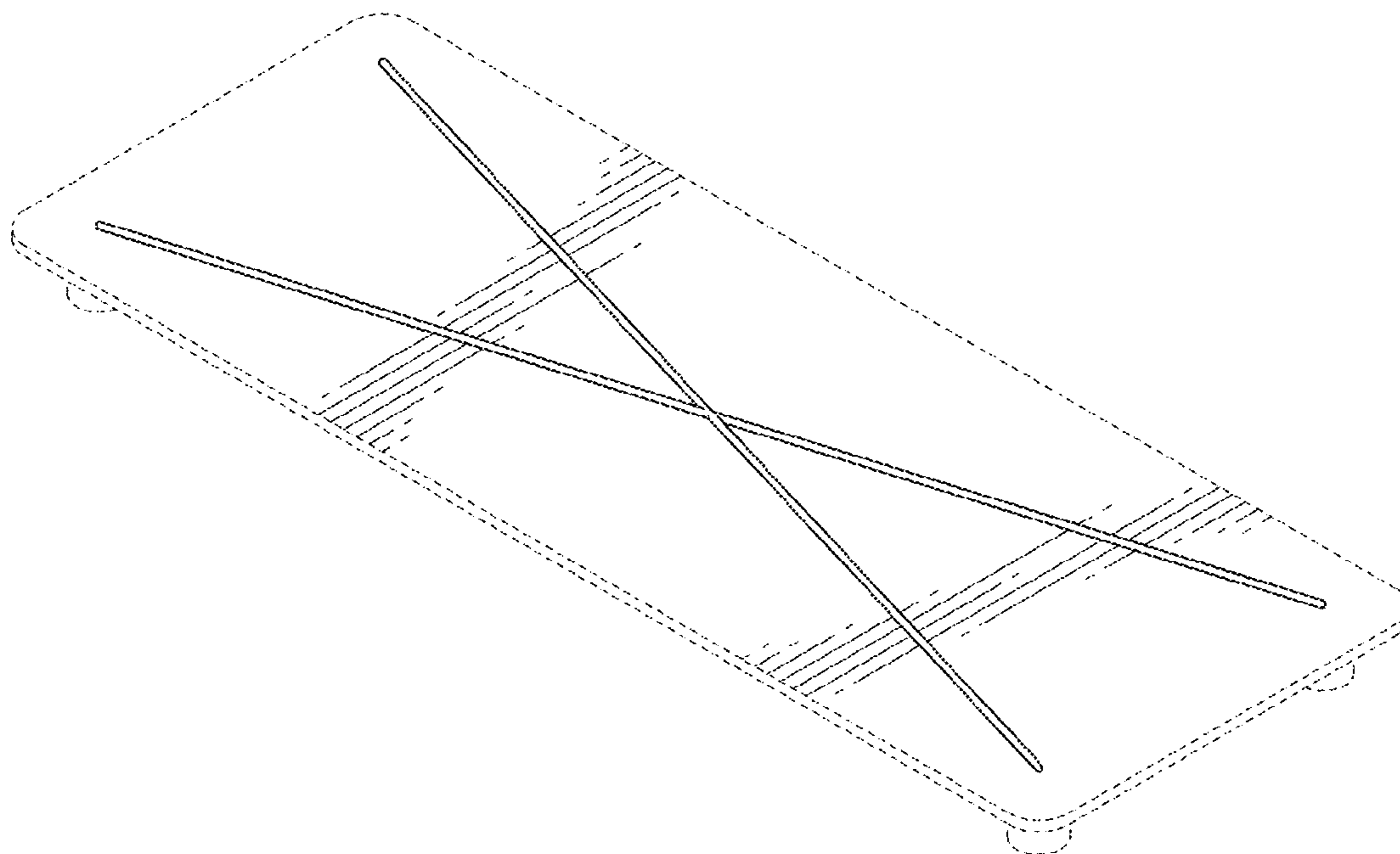
The ornamental design for a cutting board connector, as  
shown and described.

**DESCRIPTION**

FIG. 1 is a top front perspective view of a cutting board  
connector showing my new design;  
FIG. 2 is a top plan view thereof;  
FIG. 3 is a bottom plan view thereof;  
FIG. 4 is a left-side plan view thereof;  
FIG. 5 is a right-side plan view thereof;  
FIG. 6 is a front-side plan view thereof; and,  
FIG. 7 is a rear-side plan view thereof.

The broken lines shown in the drawings are for illustrative  
purposes only and form no part of the claimed design.

**1 Claim, 2 Drawing Sheets**



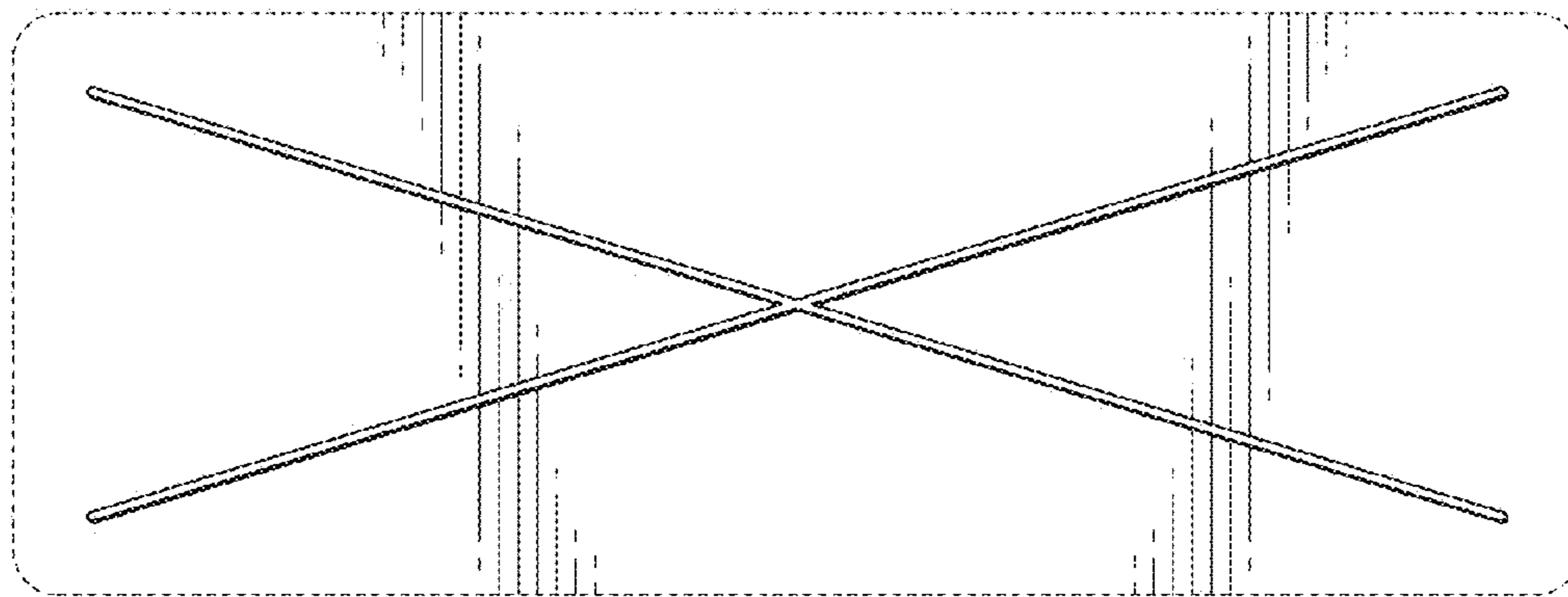
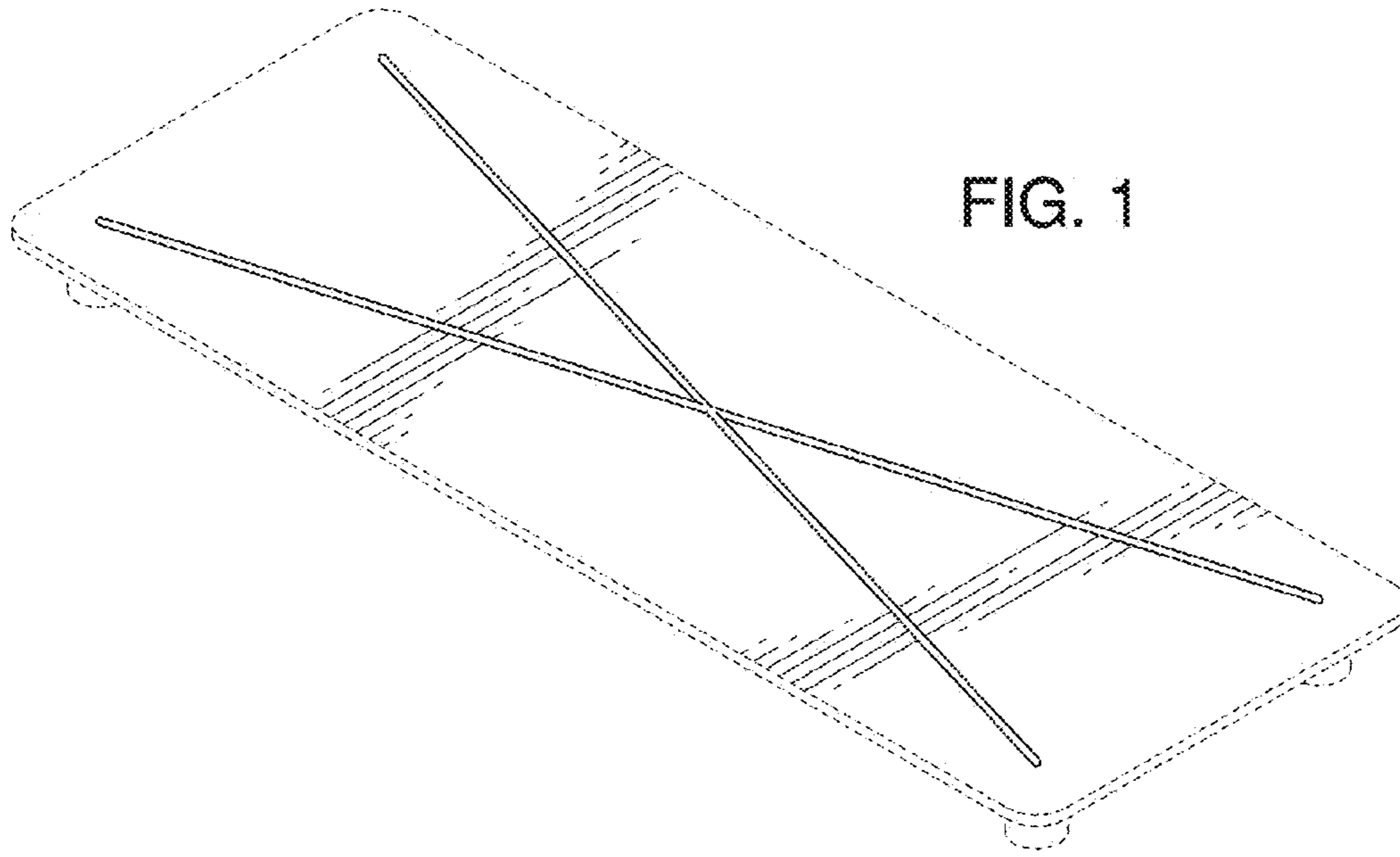


FIG. 2



FIG. 3

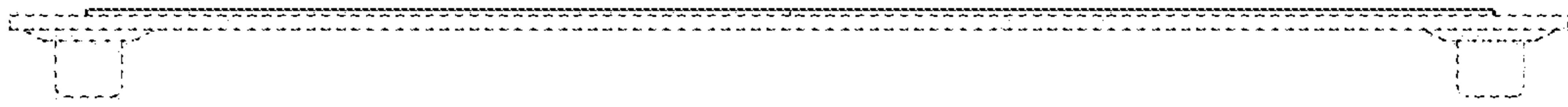


FIG. 4

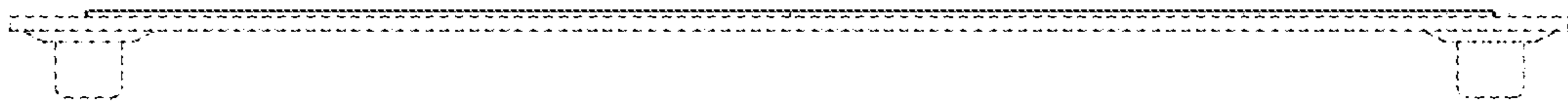


FIG. 5

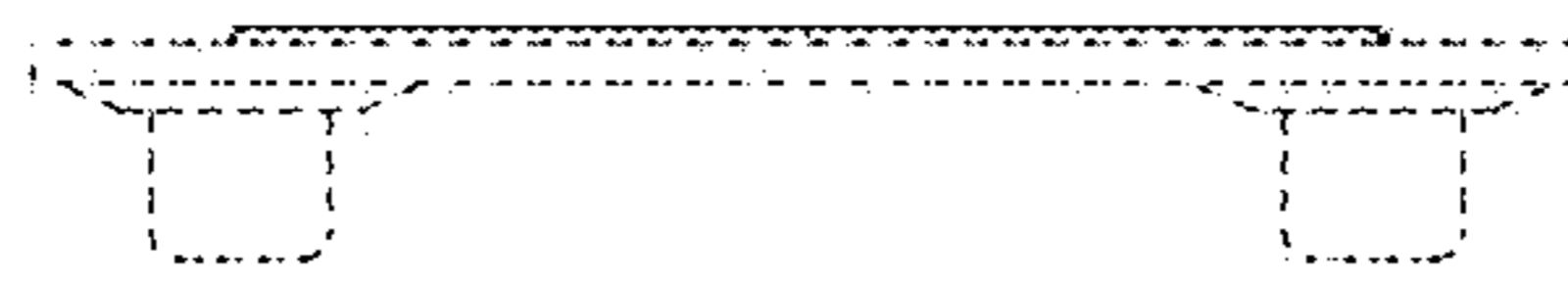


FIG. 6

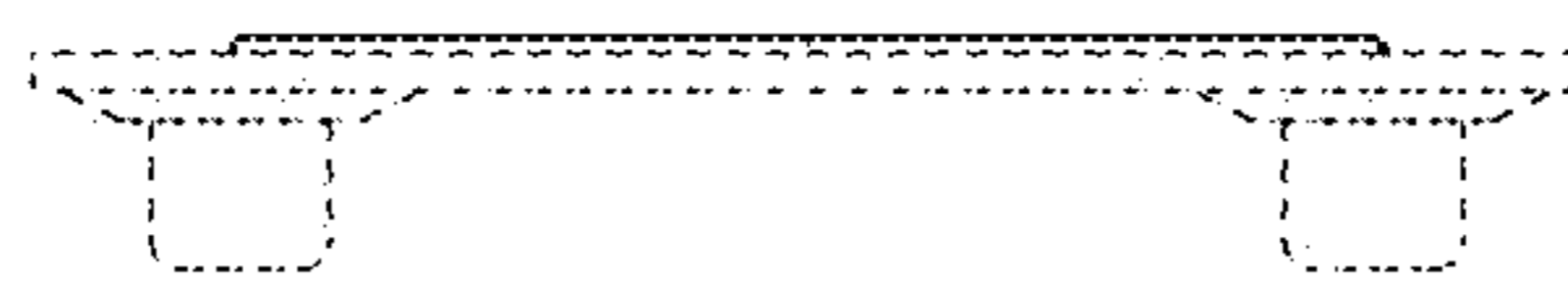


FIG. 7