



US00D718988S

(12) **United States Design Patent**  
**Szymanski**

(10) **Patent No.:** **US D718,988 S**  
(45) **Date of Patent:** **\*\* Dec. 9, 2014**

- (54) **COMBINATION PEELER AND HOLDER**
- (71) Applicant: **IdeaVillage Products Corp.**, Wayne, NJ (US)
- (72) Inventor: **Aaron Szymanski**, Watertown, CT (US)
- (73) Assignee: **IdeaVillage Products Corp.**, Wayne, NJ (US)
- (\*\*) Term: **14 Years**
- (21) Appl. No.: **29/468,139**
- (22) Filed: **Sep. 26, 2013**
- (51) **LOC (10) Cl.** ..... **07-06**
- (52) **U.S. Cl.**  
USPC ..... **D7/695**
- (58) **Field of Classification Search**  
CPC ..... A47J 17/10; A47J 17/00; A47J 17/02  
USPC ..... D7/368, 669, 693-695, 393, 395;  
241/92-95, 168, 169, 169.1,  
241/273.1-273.4; 99/584, 568, 567, 485,  
99/495, 585, 588, 421 A, 419, 594;  
294/61, 5; 30/129, 113.3, 113.1, 123.6,  
30/123.5, 120.1, 278, 279.2, 279.4, 279.6,  
30/280, 281, 282, 294, 123.7; 7/109, 110,  
7/113

See application file for complete search history.

(56) **References Cited**

**U.S. PATENT DOCUMENTS**

1,591,860	A	7/1925	McGinnis
1,739,517	A	12/1929	O'Loughlin
2,007,647	A	7/1935	Herly
2,362,896	A	11/1944	Gamache
2,707,651	A	5/1955	Ott
3,169,316	A	2/1965	Johnston
D247,870	S	5/1978	Herrmeyer
D262,770	S	1/1982	Propalis, Jr.
4,348,807	A	9/1982	Ashdown
4,464,838	A	8/1984	Girrbach

D276,018	S	10/1984	Hagedorn	
4,893,408	A *	1/1990	Mattingly et al.	30/123.5
4,920,645	A	5/1990	Baudouin	
D332,034	S *	12/1992	Viemeister	D7/695
5,495,794	A *	3/1996	Ulysse	99/419
6,199,283	B1 *	3/2001	Bryant	30/113.3
6,427,332	B1	8/2002	Pi	
6,659,522	B2 *	12/2003	Byth	294/61
6,874,236	B2 *	4/2005	Levien et al.	30/279.6
7,140,111	B2	11/2006	Di Bitonto	
D576,847	S	9/2008	Pan	
D585,710	S	2/2009	Scimone	
D595,547	S	7/2009	Sanchez	
D596,466	S	7/2009	Blier	
D596,468	S	7/2009	Seehoff	
D625,157	S	10/2010	Blier	
D630,913	S	1/2011	Mishan	
8,276,277	B2	10/2012	Blier	
D675,891	S *	2/2013	Reay	D7/695
2006/0272161	A1 *	12/2006	Di Bitonto et al.	30/279.6

\* cited by examiner

*Primary Examiner* — Terry Wallace

(74) *Attorney, Agent, or Firm* — Epstein Drangel LLP;  
Robert L. Epstein

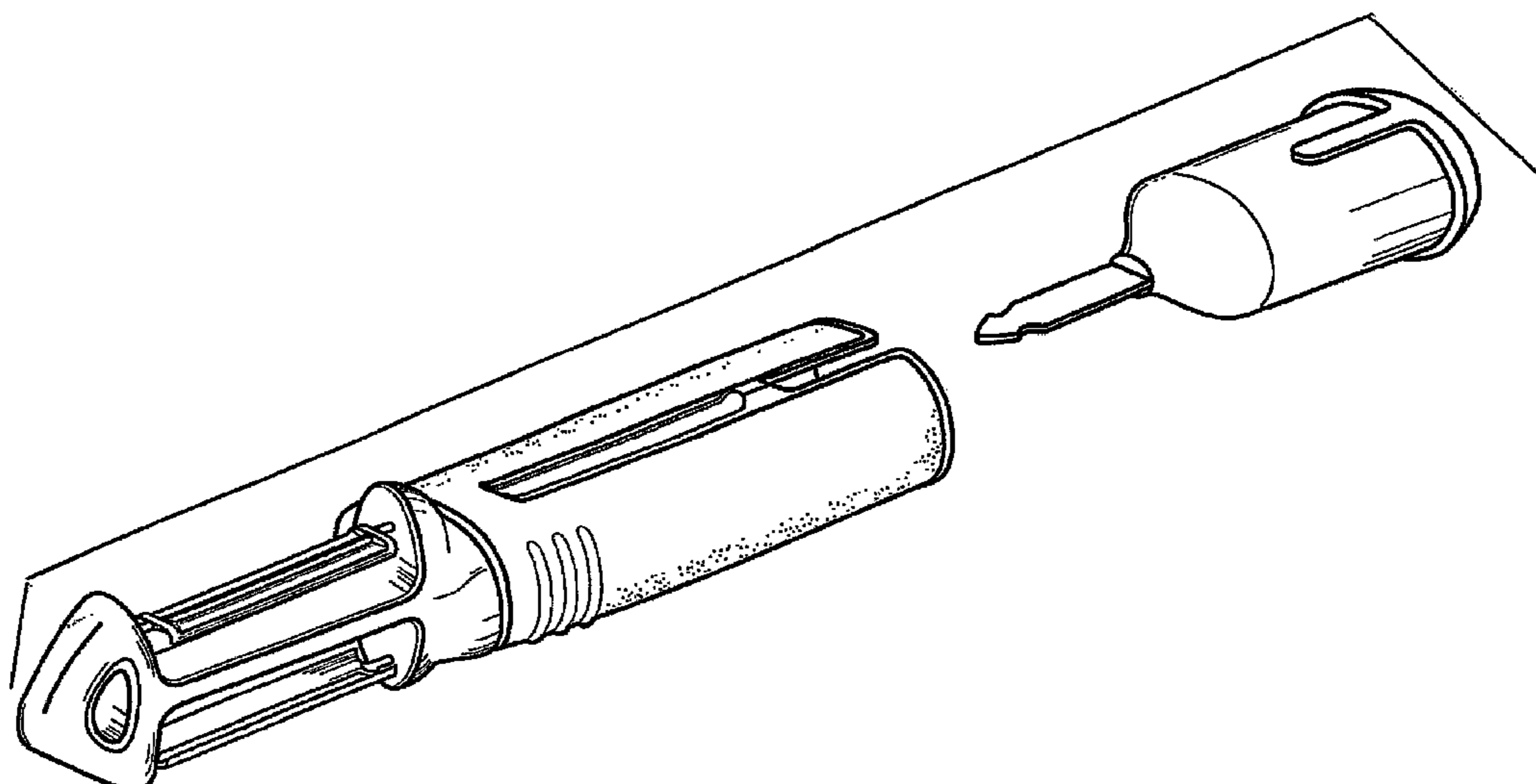
(57) **CLAIM**

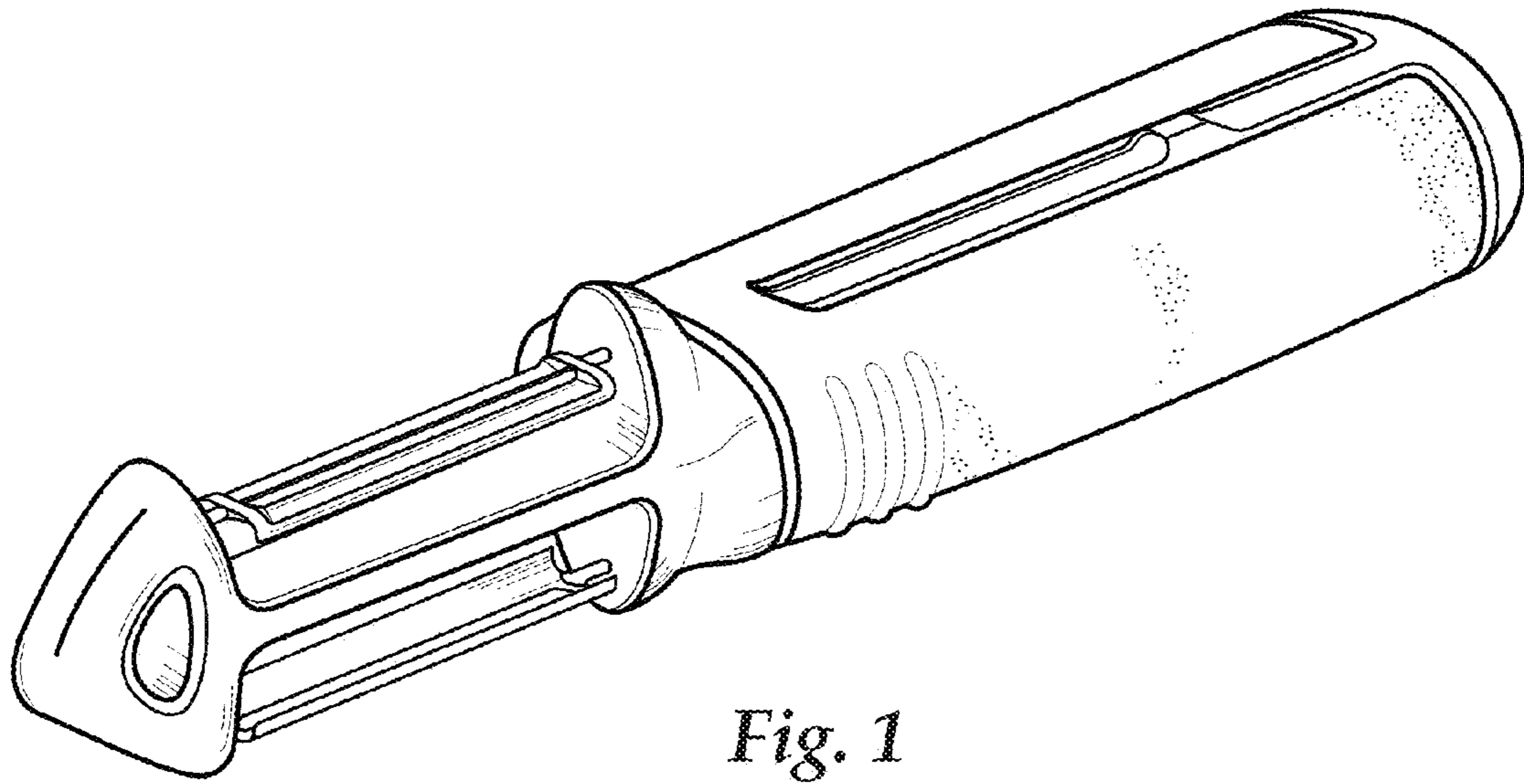
The ornamental design for a combination peeler and holder, as shown and described.

**DESCRIPTION**

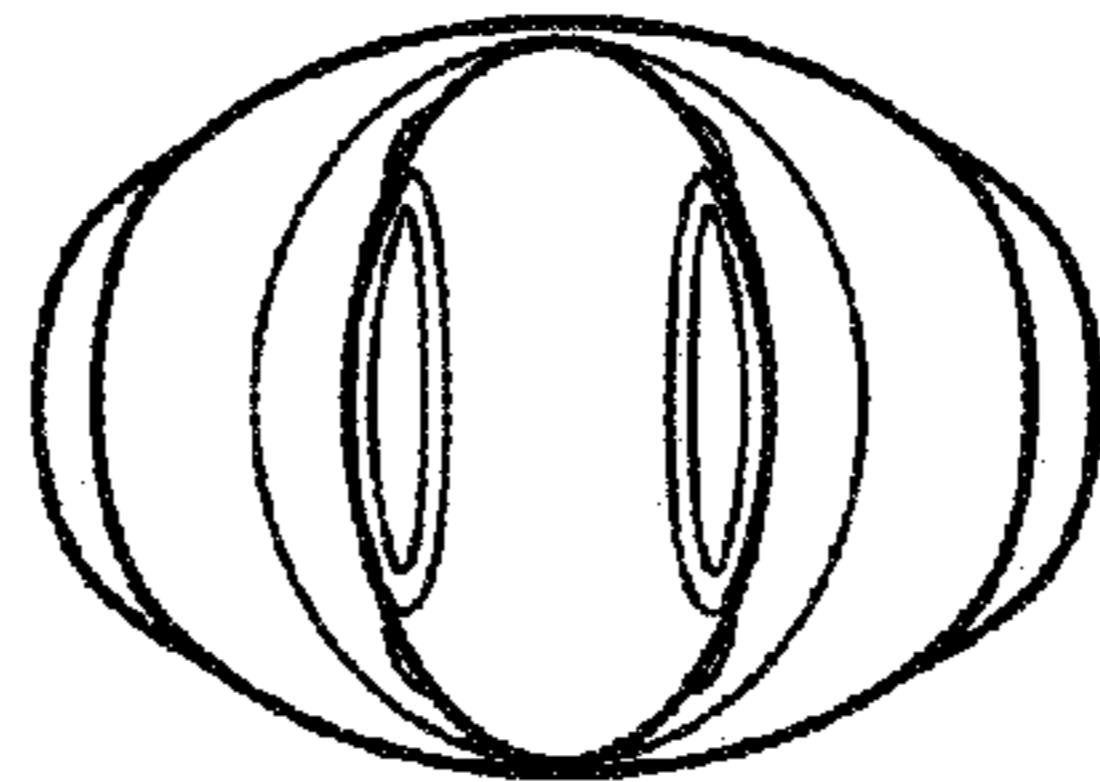
FIG. 1 is a left perspective view of the combination peeler and holder showing my design;  
 FIG. 2 is a front elevation view thereof;  
 FIG. 3 is a rear elevation view thereof;  
 FIG. 4 is a left-side elevation view, the right-side is a mirror image thereof;  
 FIG. 5 is a top elevation view thereof;  
 FIG. 6 is a bottom elevation view thereof;  
 FIG. 7 is a top plan view of the holder thereof, shown separately for clarity of illustration; and,  
 FIG. 8 is an exploded perspective view thereof.

**1 Claim, 3 Drawing Sheets**

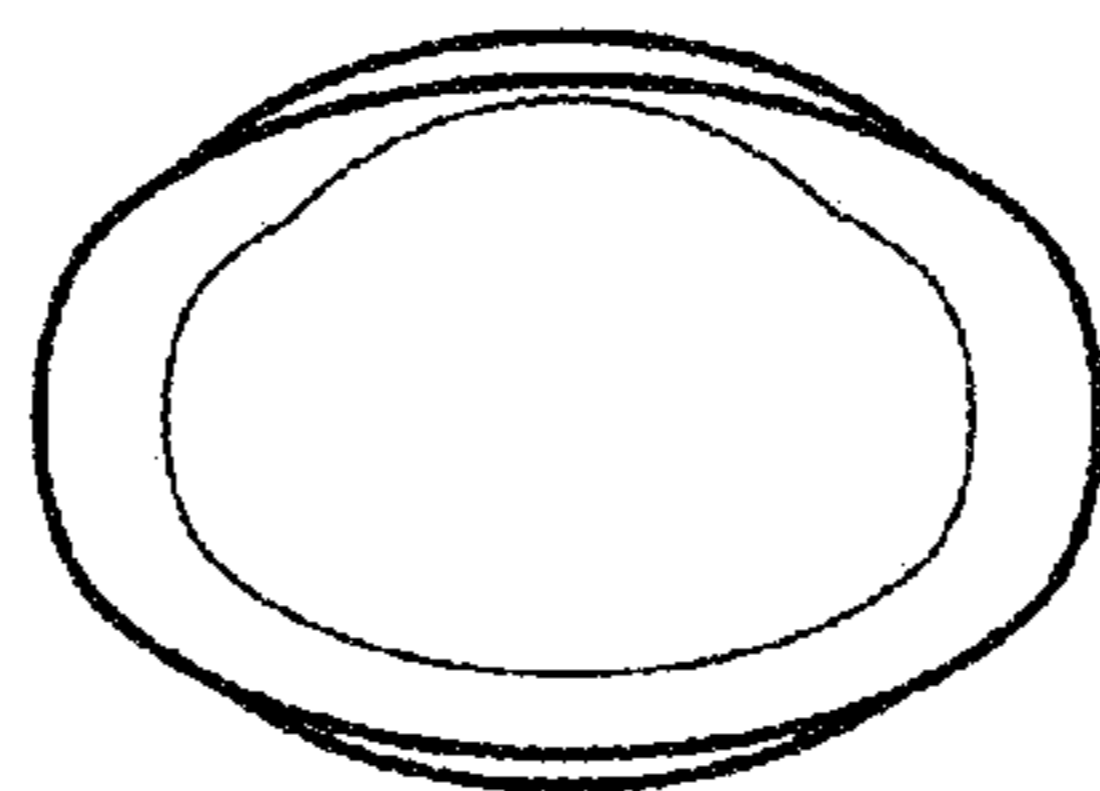




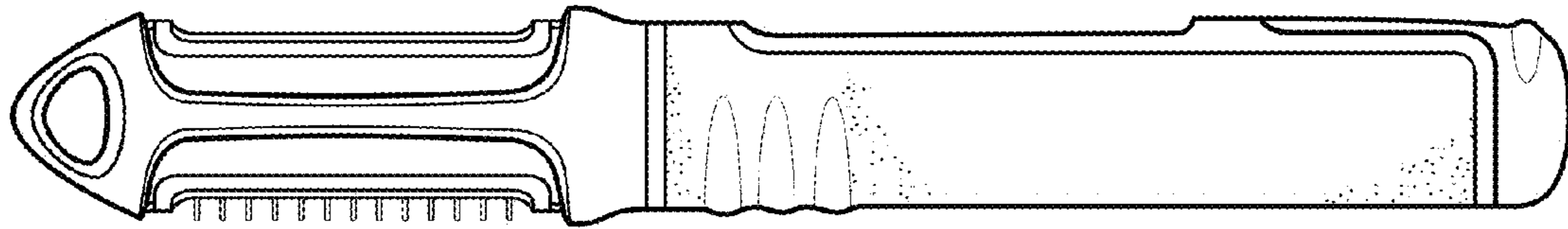
*Fig. 1*



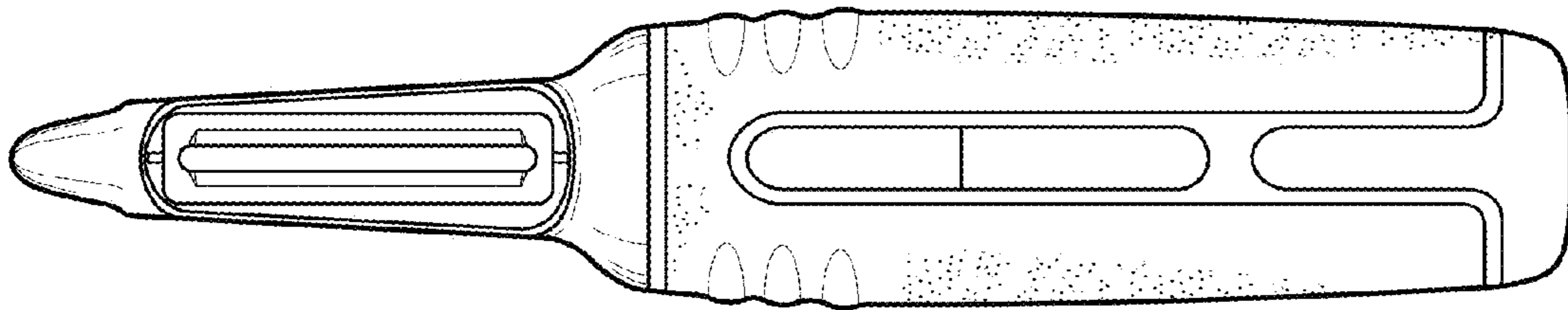
*Fig. 2*



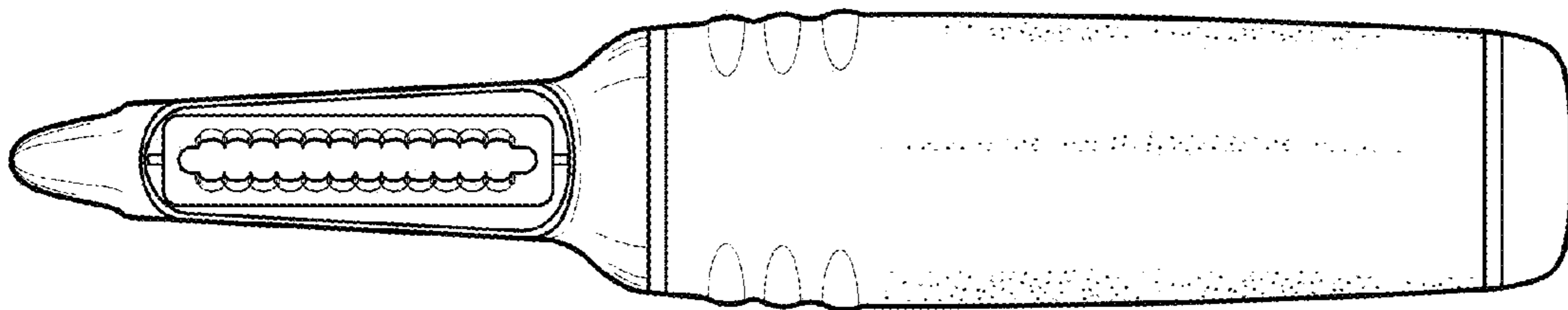
*Fig. 3*



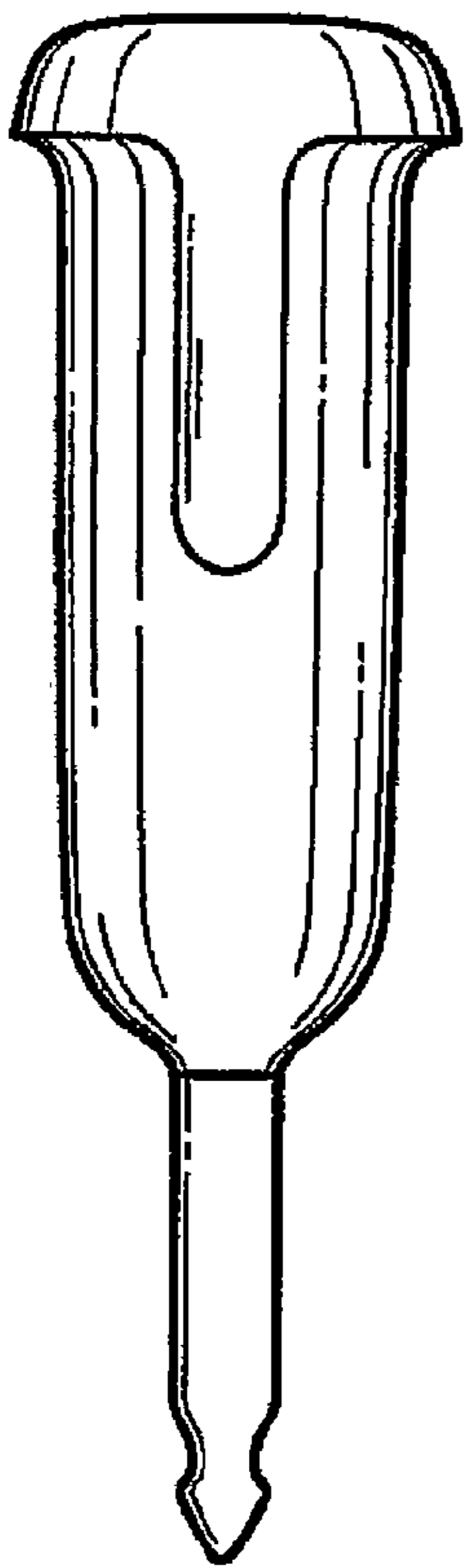
*Fig. 4*



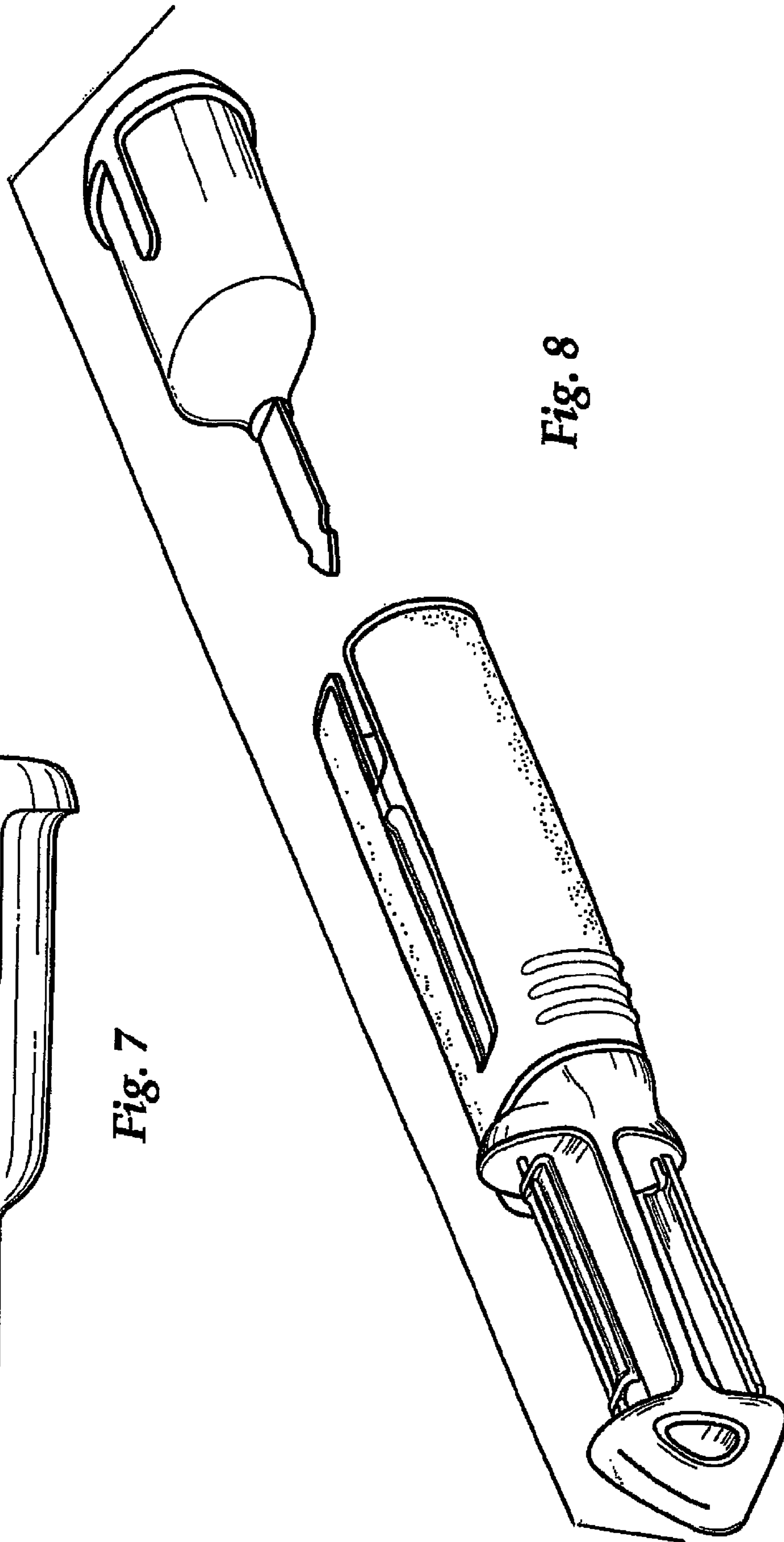
*Fig. 5*



*Fig. 6*



*Fig. 7*



*Fig. 8*