



US00D718987S

(12) **United States Design Patent**  
**Sekse**

(10) **Patent No.:** **US D718,987 S**  
(45) **Date of Patent:** **\*\* Dec. 9, 2014**

(54) **CAKE SERVER**

(71) Applicant: **Pegasus Trading AS**, Skien (NO)

(72) Inventor: **Svein Levi Sekse**, Skien (NO)

(73) Assignee: **Pegasus Trading AS**, Skien (NO)

(\*\*) Term: **14 Years**

(21) Appl. No.: **29/469,935**

(22) Filed: **Oct. 16, 2013**

(30) **Foreign Application Priority Data**

Apr. 17, 2013 (NO) ..... DS20130361

(51) **LOC (10) Cl.** ..... **07-06**

(52) **U.S. Cl.**  
USPC ..... **D7/689**; D7/651

(58) **Field of Classification Search**

CPC ..... A01B 1/20; A01B 1/22; A01D 9/02;  
A01D 9/04; A01D 9/06; A47G 21/00; A47G  
21/004; A47G 21/005; A47G 21/02; A47G  
21/023; A47G 21/04; A47G 21/06; A47G  
21/08; A47J 43/28; A47J 43/281; A47J  
43/282; A61F 13/10; A61J 7/0023; B25G  
1/00; B25G 1/01; B25G 1/02; B25G 3/00;  
B26B 3/00; B26B 3/02; B26B 11/00; B26B  
11/006; B65D 75/56; B65D 75/563; B65D  
75/566; B67B 7/00; B67B 7/724; B67B 7/73  
USPC ..... D2/925, 939; D7/368, 401.2, 543, 637,  
D7/642-645, 649-664, 669, 675-677, 683,  
D7/688-689, 691; D8/107, 300-301;  
D19/91; D22/117-118; 16/110.1, 407,  
16/430; 30/1, 137, 142-150, 322-329,  
30/340, 342-345; 294/25-26, 49, 55.5, 57

See application file for complete search history.

(56) **References Cited**

U.S. PATENT DOCUMENTS

D149,073	S	*	3/1948	Levin	.....	D2/939
3,054,184	A	*	9/1962	Wyner et al.	.....	30/326
3,224,093	A	*	12/1965	Huck	.....	30/324
D303,902	S	*	10/1989	Gecchelin	.....	D7/688
D434,617	S	*	12/2000	Kontou et al.	.....	D7/688
D523,481	S	*	6/2006	Jones et al.	.....	D19/91
D543,074	S	*	5/2007	Luft	.....	D7/543
D549,526	S	*	8/2007	Tanguy et al.	.....	D7/653
D567,599	S	*	4/2008	Kushner	.....	D7/689
D579,729	S	*	11/2008	Pourounidis et al.	.....	D7/637
D582,637	S	*	12/2008	Guers-Neyraud	.....	D2/925
D626,793	S	*	11/2010	Horwitz	.....	D7/642
D700,812	S	*	3/2014	Arnold	.....	D7/653

\* cited by examiner

*Primary Examiner* — Ricky Pham

(74) *Attorney, Agent, or Firm* — Thomas Schneck

(57) **CLAIM**

The ornamental design for a cake server, as shown and described.

**DESCRIPTION**

FIG. 1 is a front perspective view for a cake server of my design;

FIG. 2 is a rear perspective view thereof;

FIG. 3 is a front elevational view thereof;

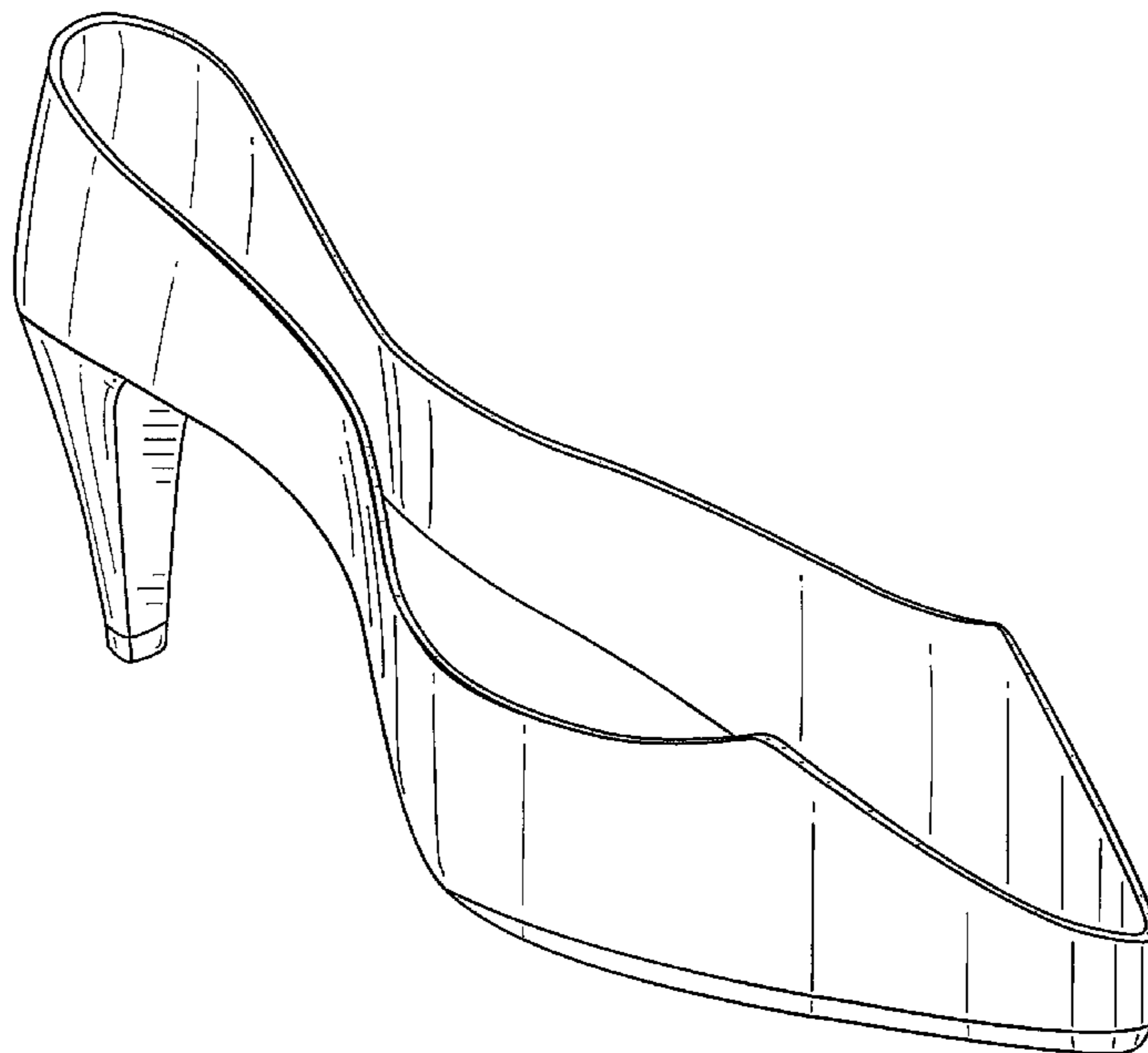
FIG. 4 is a rear elevational view thereof;

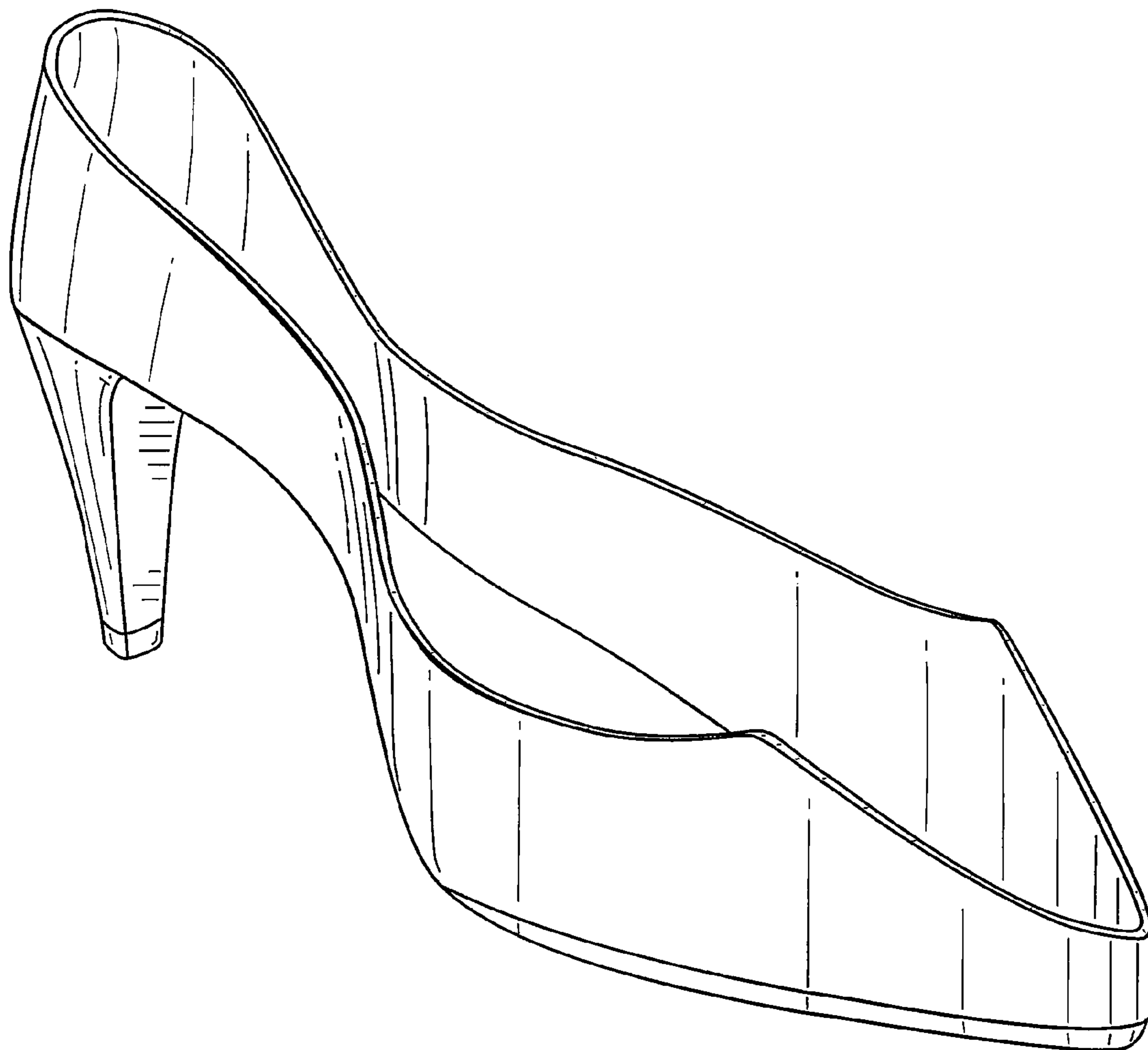
FIG. 5 is a right side view thereof, the left side being identical;

FIG. 6 is a top view thereof; and,

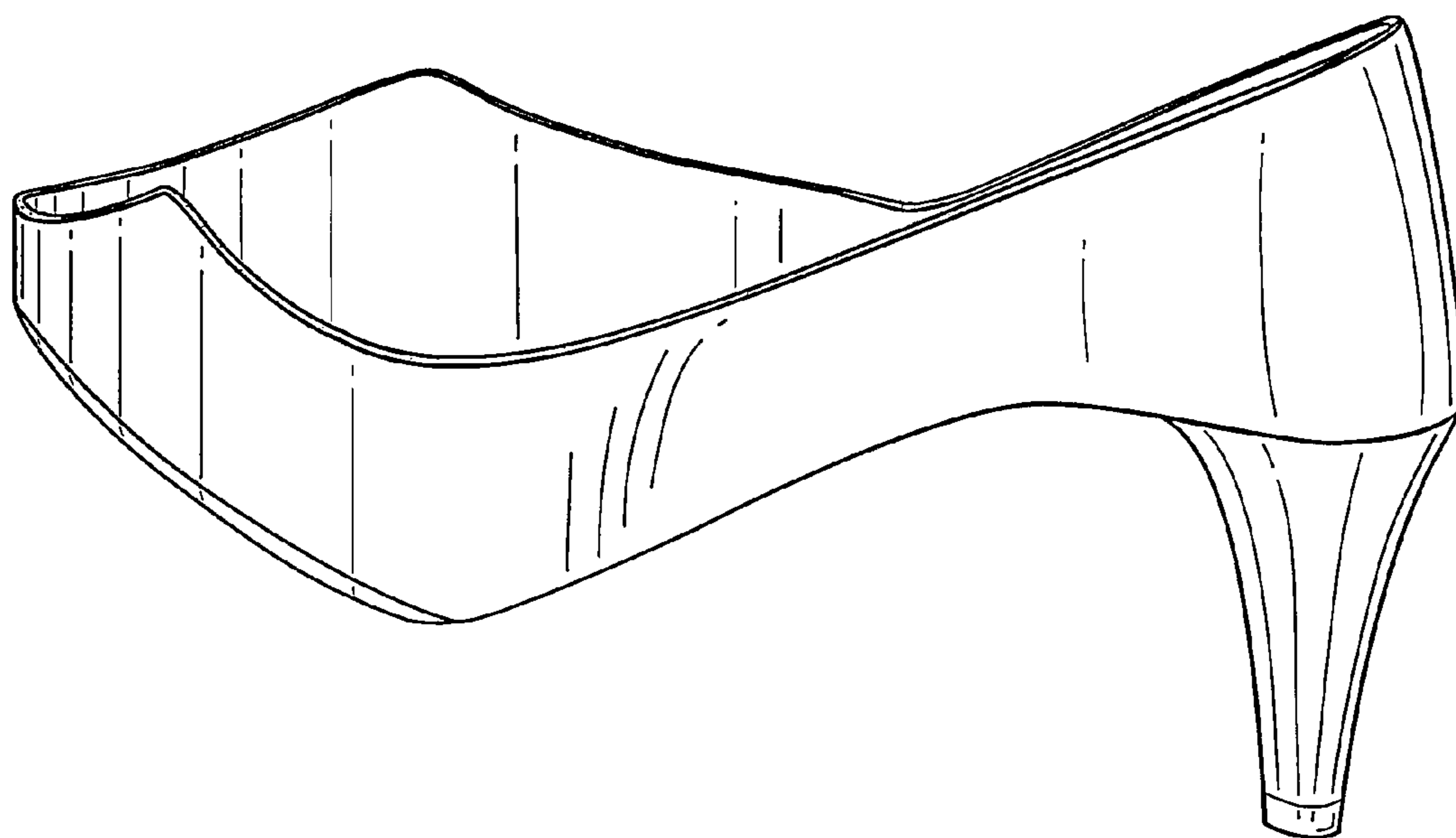
FIG. 7 is a bottom view thereof.

**1 Claim, 5 Drawing Sheets**

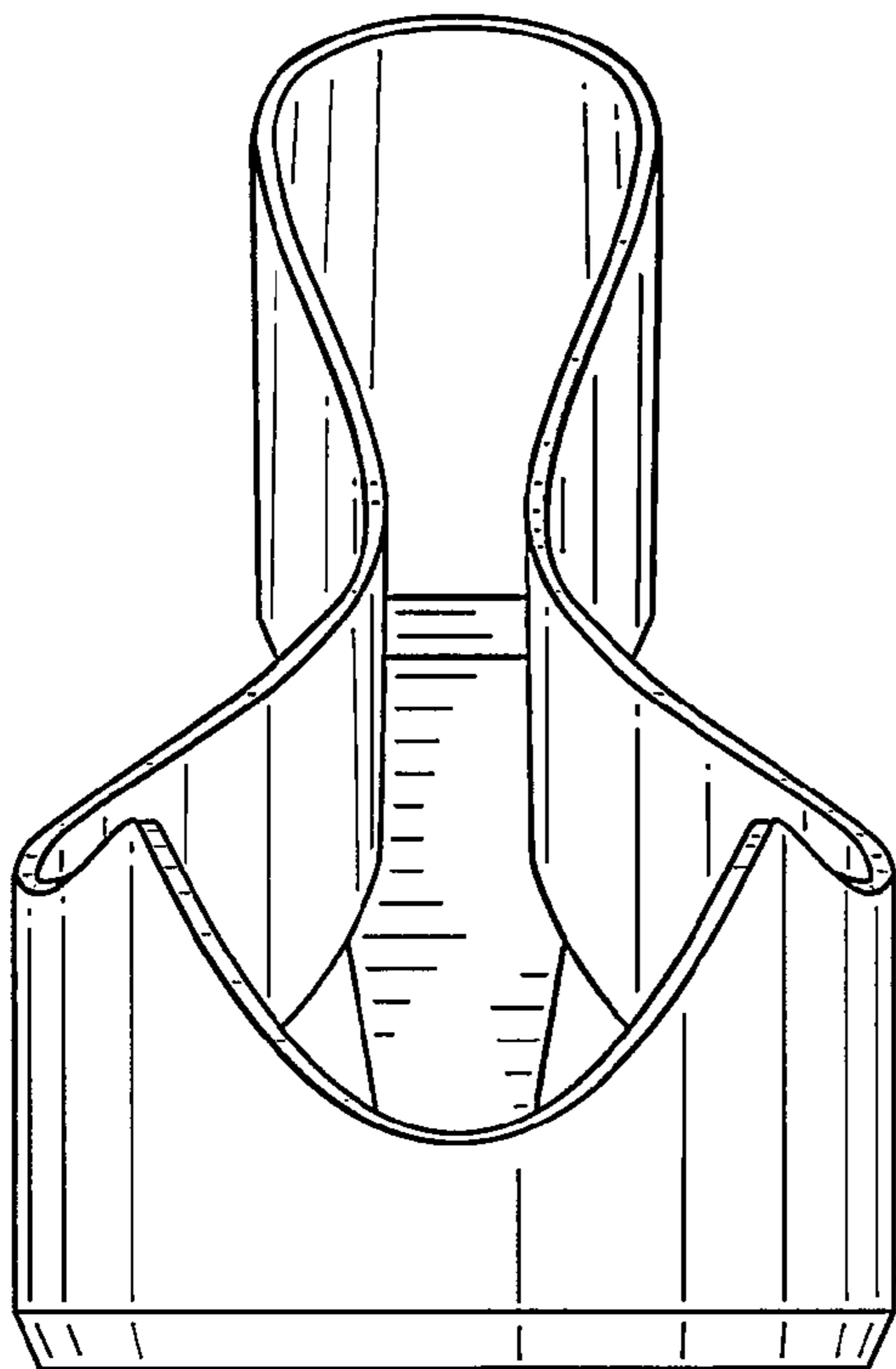




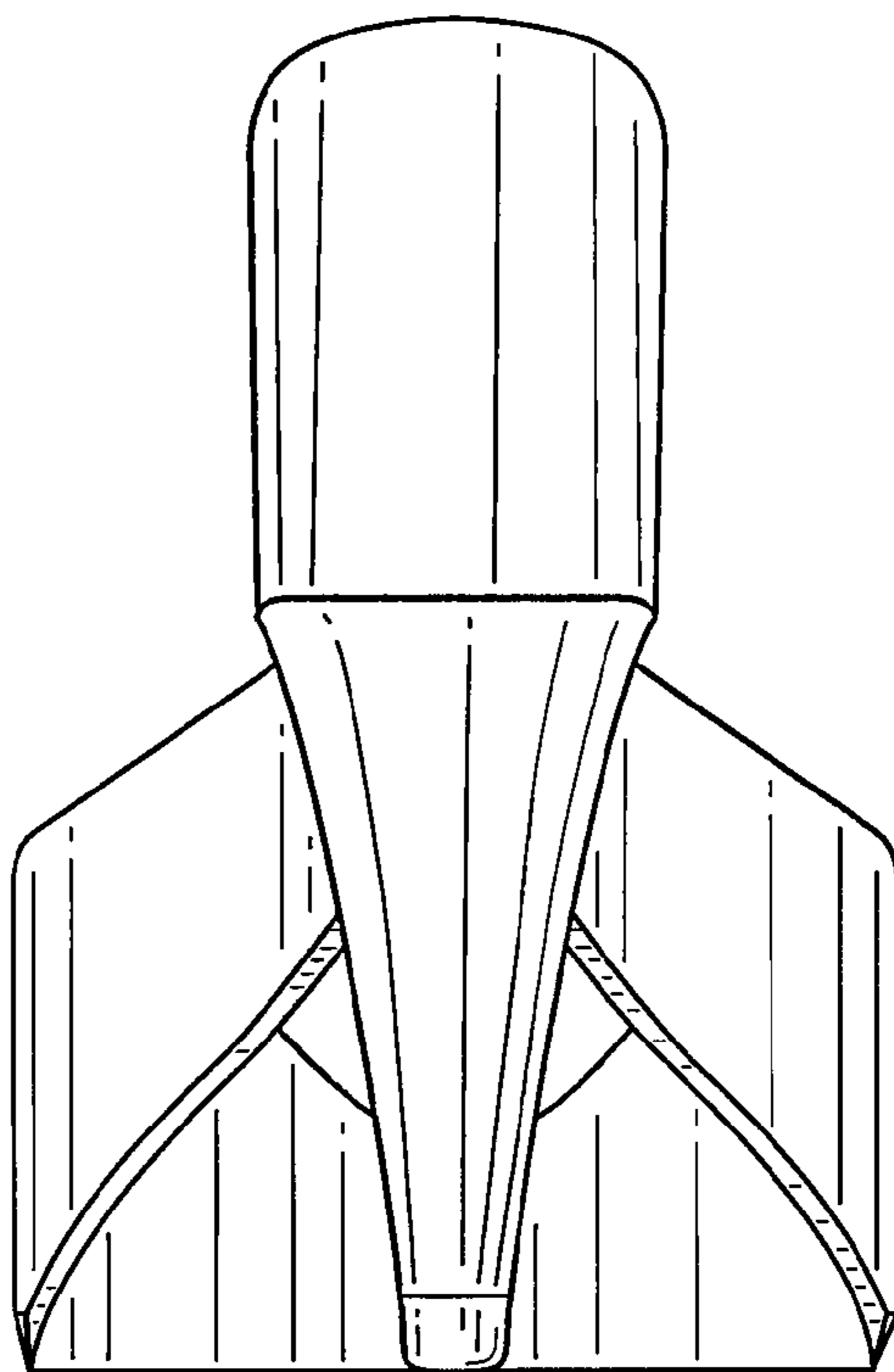
*Fig. 1*



*Fig. 2*



*Fig. 3*



*Fig. 4*

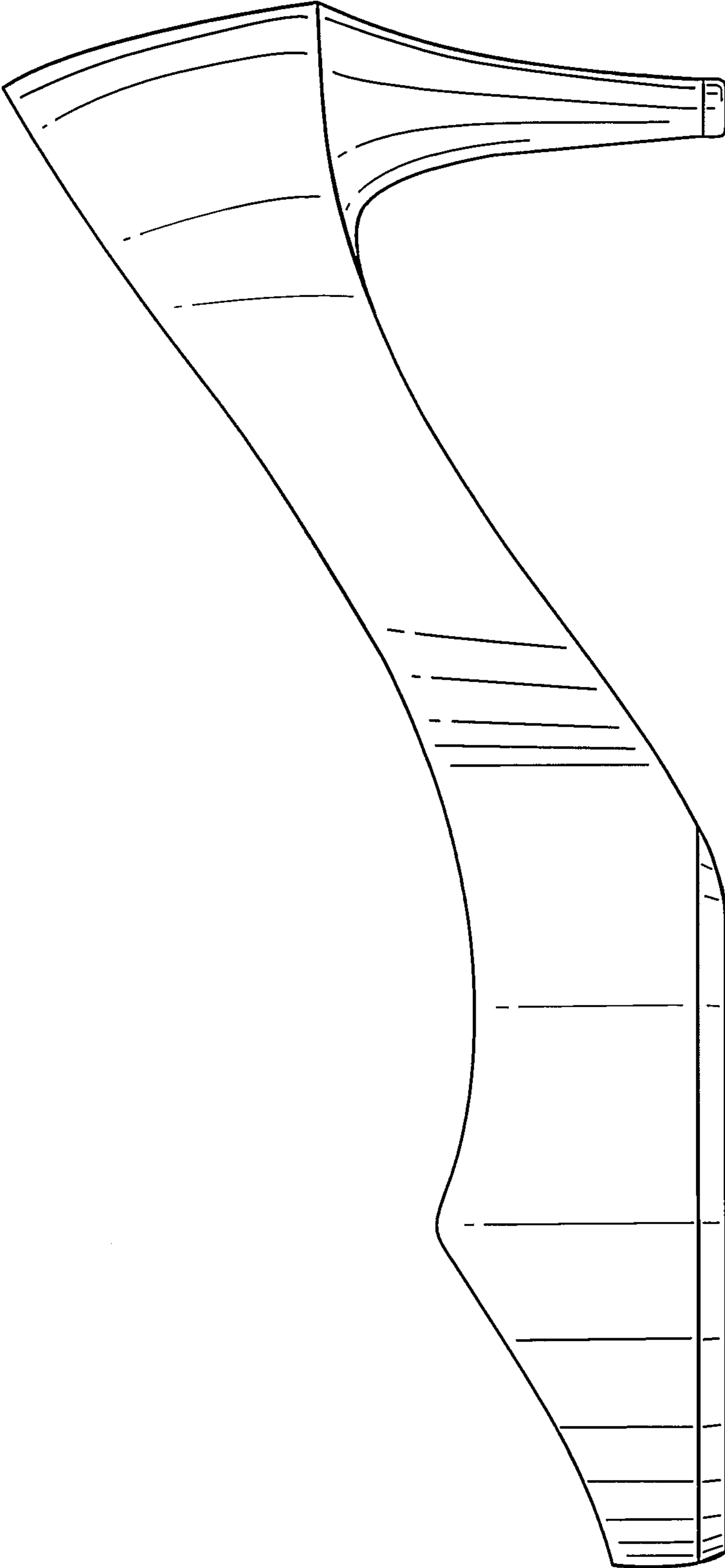
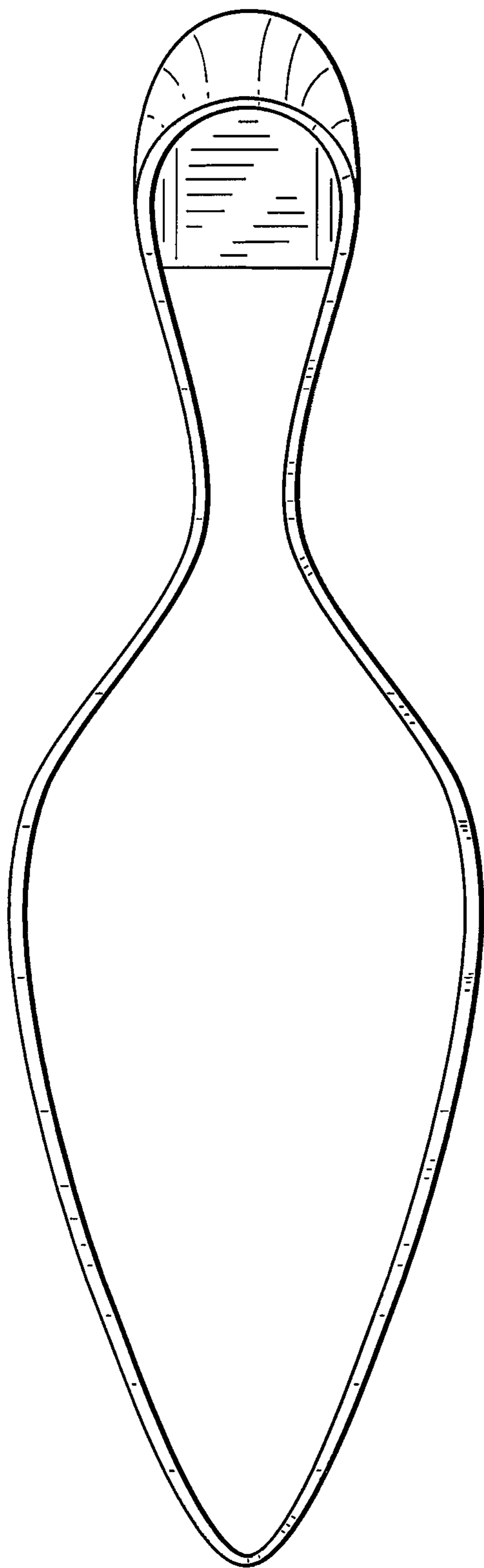
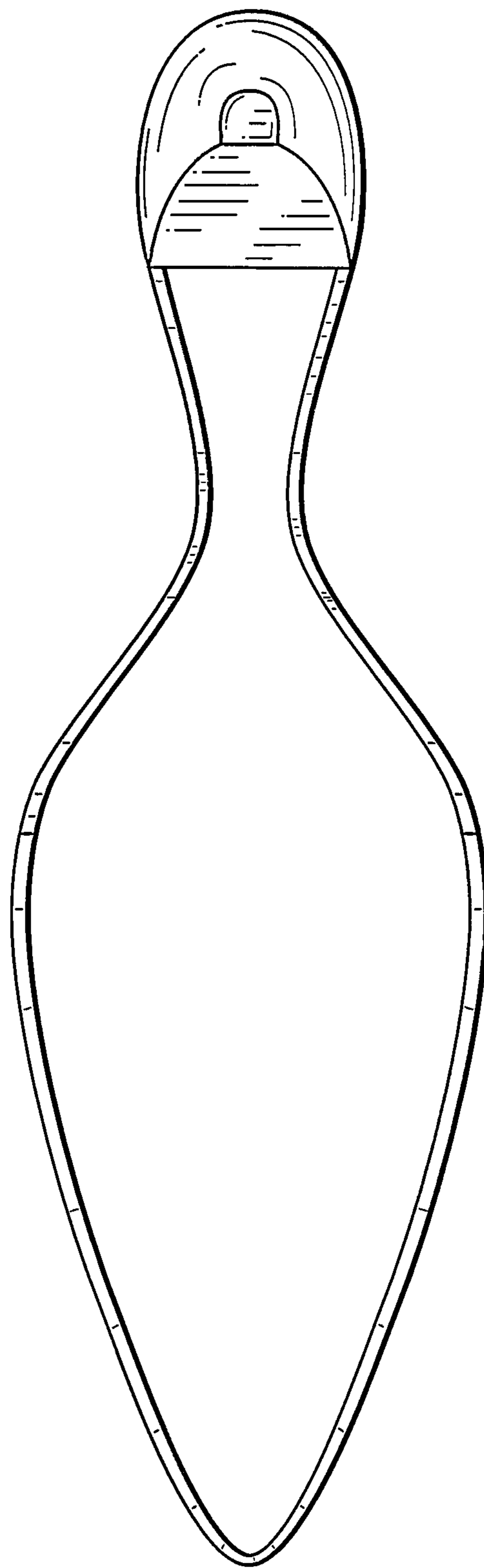


Fig. 5



*Fig. 6*



*Fig. 7*