



US00D718985S

(12) **United States Design Patent**
Yan

(10) **Patent No.:** **US D718,985 S**
(45) **Date of Patent:** **** Dec. 9, 2014**

(54) **JUICER BOWL**

(71) Applicant: **Ningbo Pinge Electrical Co., Ltd.**, Cixi,
Zhejiang (CN)

(72) Inventor: **Jiashu Yan**, Zhejiang (CN)

(73) Assignee: **Ningbo Pinge Electrical Co., Ltd.**, Cixi,
Zhejiang (CN)

(**) Term: **14 Years**

(21) Appl. No.: **29/477,885**

(22) Filed: **Dec. 27, 2013**

(51) **LOC (10) Cl.** **31-00**

(52) **U.S. Cl.**

USPC **D7/665**

(58) **Field of Classification Search**

CPC A47J 43/046; A47J 43/042

USPC D7/665, 666, 368, 669, 412, 372-375,

D7/376-386; 241/92, 101.1-101.73,

241/285.1-285.3, 36, 37.5, 100, 282.1;

99/501-513, 495, 499, 348, 357, 349,

99/279, 284, 369, 370, 496-497, 280, 290

See application file for complete search history.

(56) **References Cited**

U.S. PATENT DOCUMENTS

6,394,377	B1	5/2002	Kim
D470,368	S	2/2003	Kim
6,604,455	B2	8/2003	Areh
6,637,323	B2	10/2003	Kim
D526,846	S	8/2006	Kim
D643,265	S	8/2011	Kim
8,091,473	B2	1/2012	Kim
D660,660	S	5/2012	Kim
D665,632	S	8/2012	Kim
D665,633	S	8/2012	Kim

D684,827	S	6/2013	Kim
2009/0049998	A1	2/2009	Kim
2012/0137899	A1	6/2012	Kim
2012/0291638	A1	11/2012	Kim
2013/0327232	A1*	12/2013	Charles et al. 99/510

FOREIGN PATENT DOCUMENTS

WO	2007148872	A1	12/2007
WO	2011025227	A2	3/2011
WO	2012036454	A2	3/2012

OTHER PUBLICATIONS

Hurom.com, Hurom Original Slow Juicer—Slow Squeezing Preserves More Enzymes & Nutrients, Hurom Original Slow Juicer (HU-100 Series), Web Page, 3 pages.

* cited by examiner

Primary Examiner — Terry Wallace

(74) *Attorney, Agent, or Firm* — Weisun Rao; Robbie R. Harmer; Greenberg Traurig, LLP

(57) **CLAIM**

What is claimed is the ornamental design for a juicer bowl, as shown and described.

DESCRIPTION

FIG. 1 is a perspective view of a juicer bowl, including an outer housing and an inner basket.

FIG. 2 is a side view of the juicer bowl.

FIG. 3 is a top view of the juicer bowl.

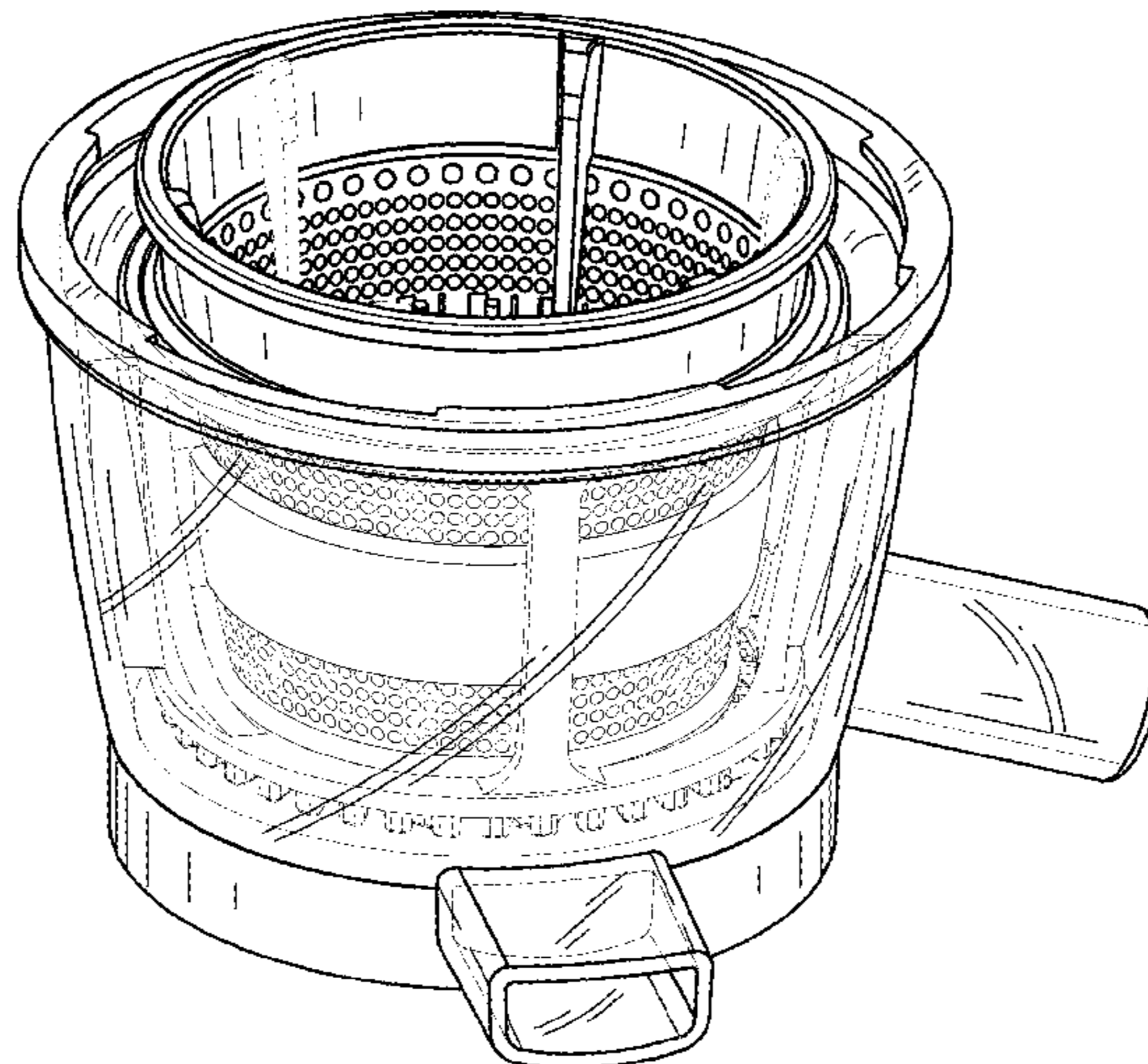
FIG. 4 is a bottom view of the juicer bowl.

FIG. 5 is a top view of the outer housing without the inner basket; and,

FIG. 6 is a cross-sectional view of the outer housing, taken across line 6-6 in FIG. 5.

The broken lines are for illustrative purposes and form no part of the claimed design.

1 Claim, 6 Drawing Sheets



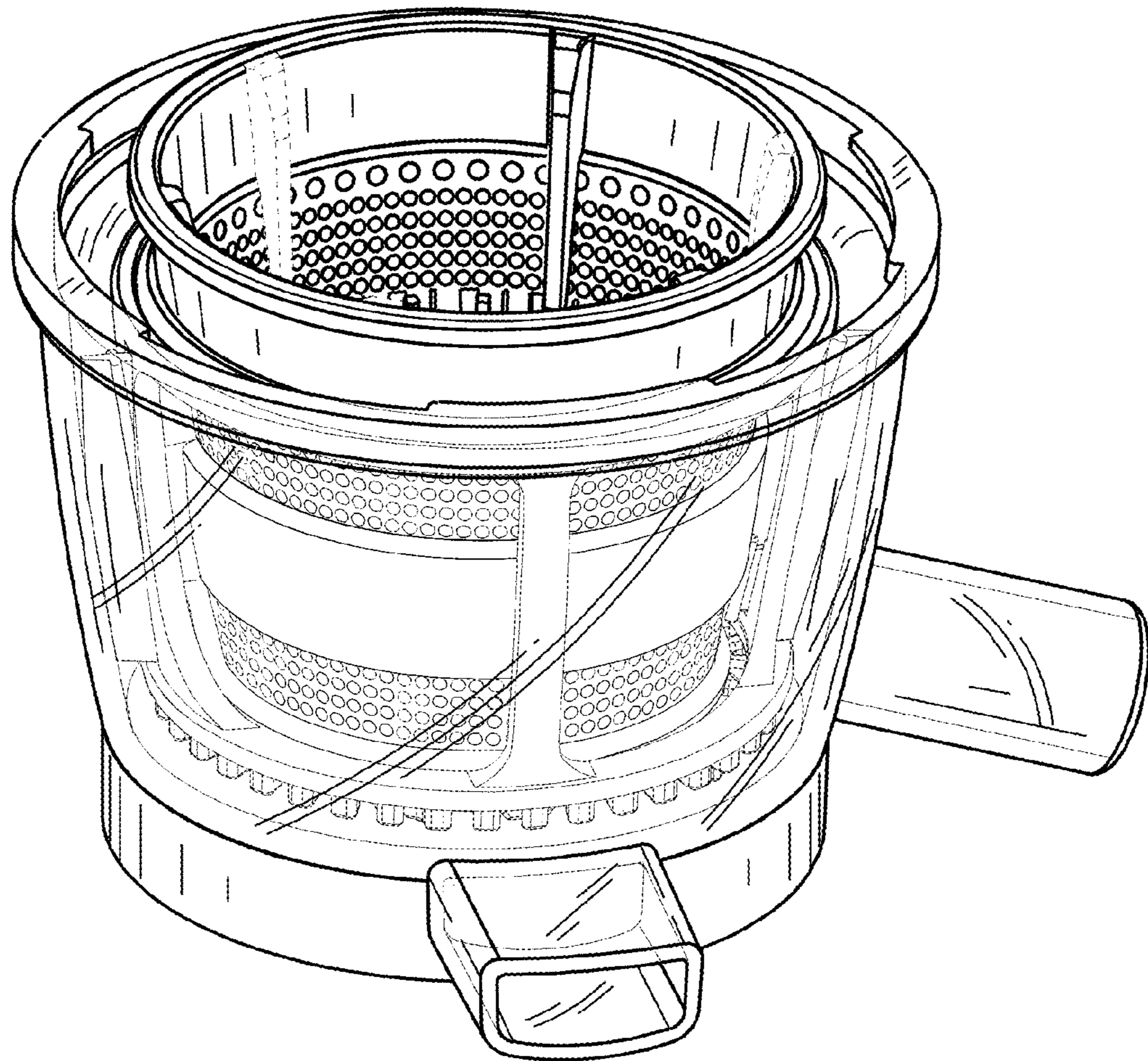


FIG. 1

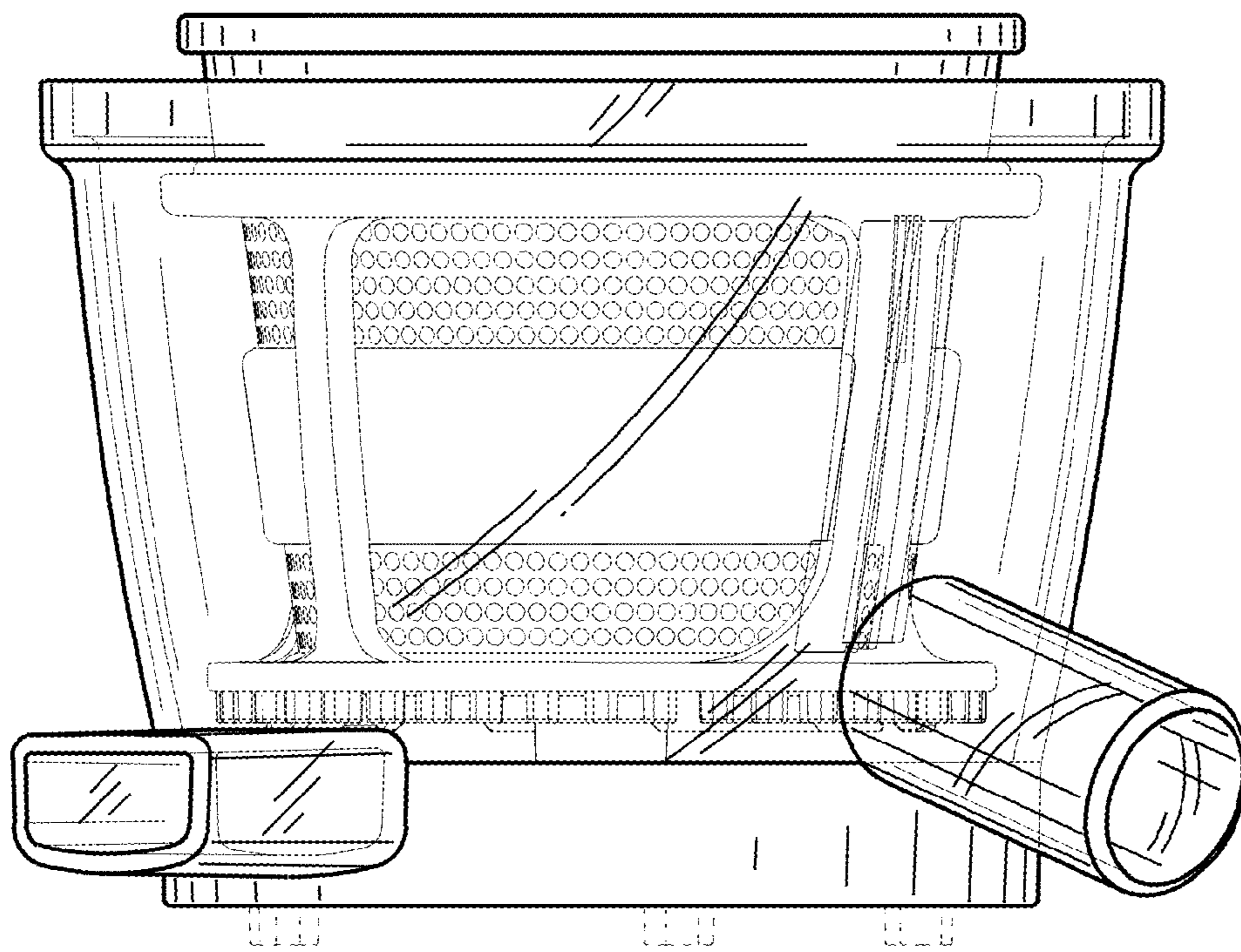


FIG. 2

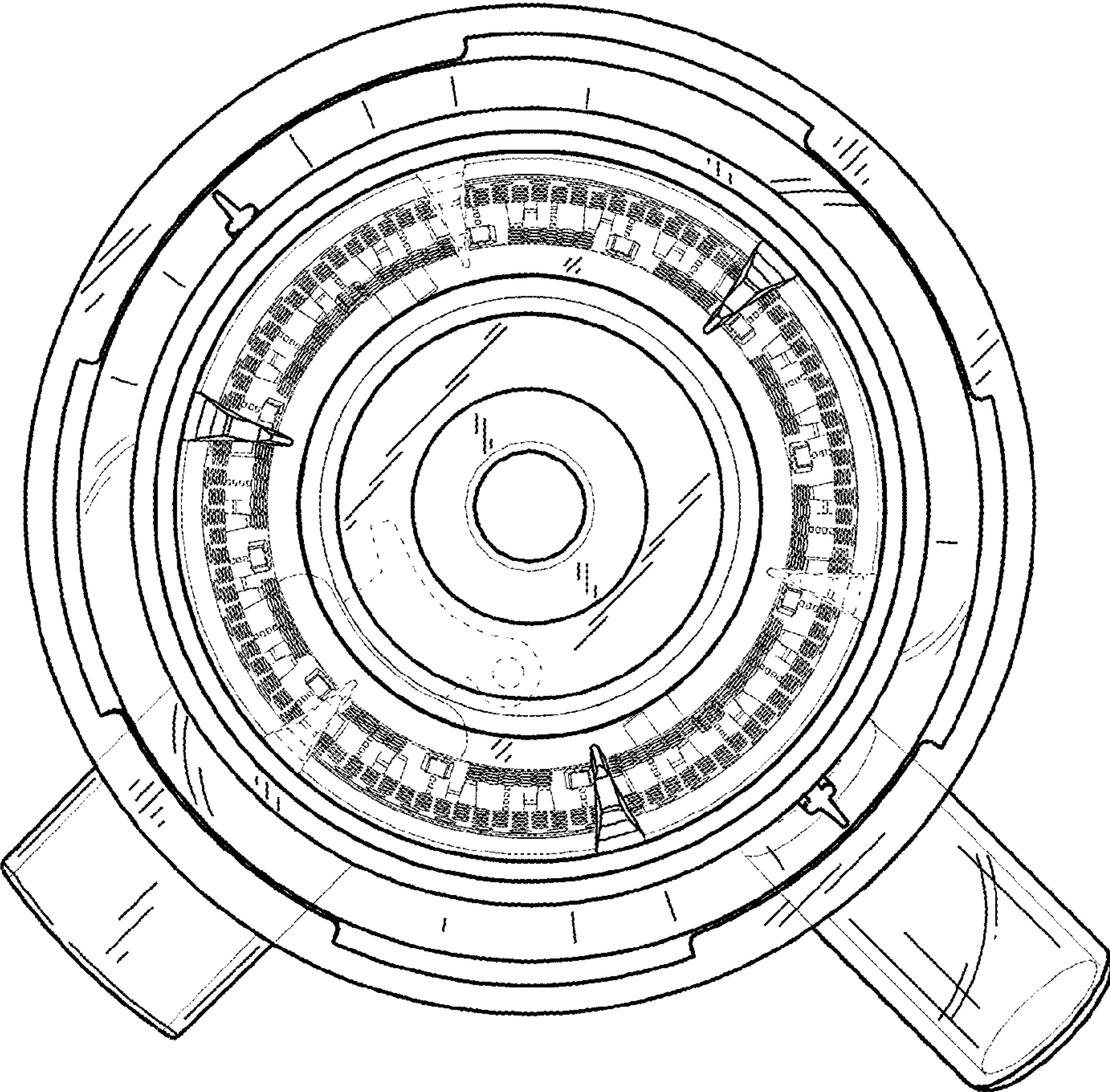


FIG. 3

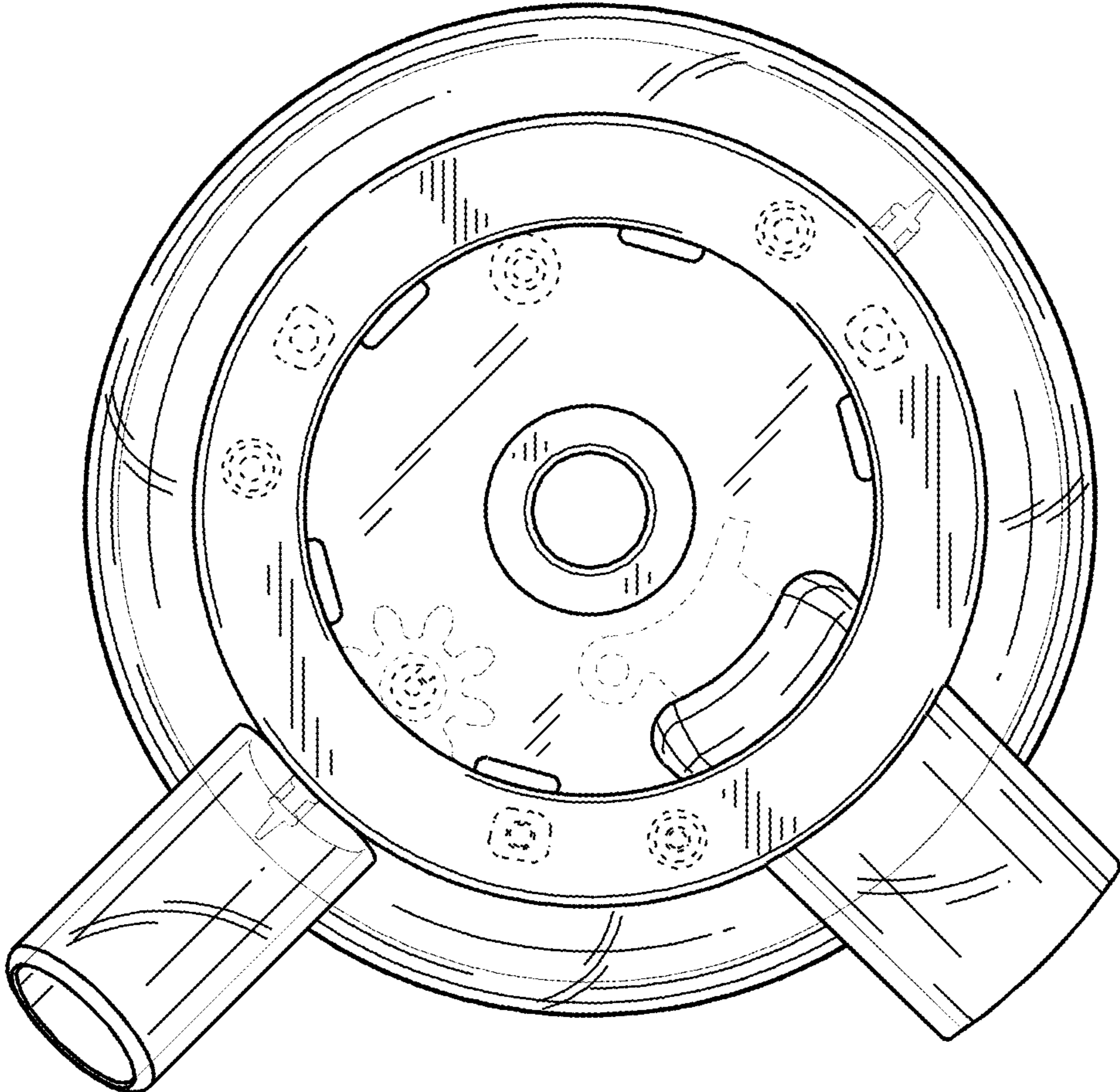


FIG. 4

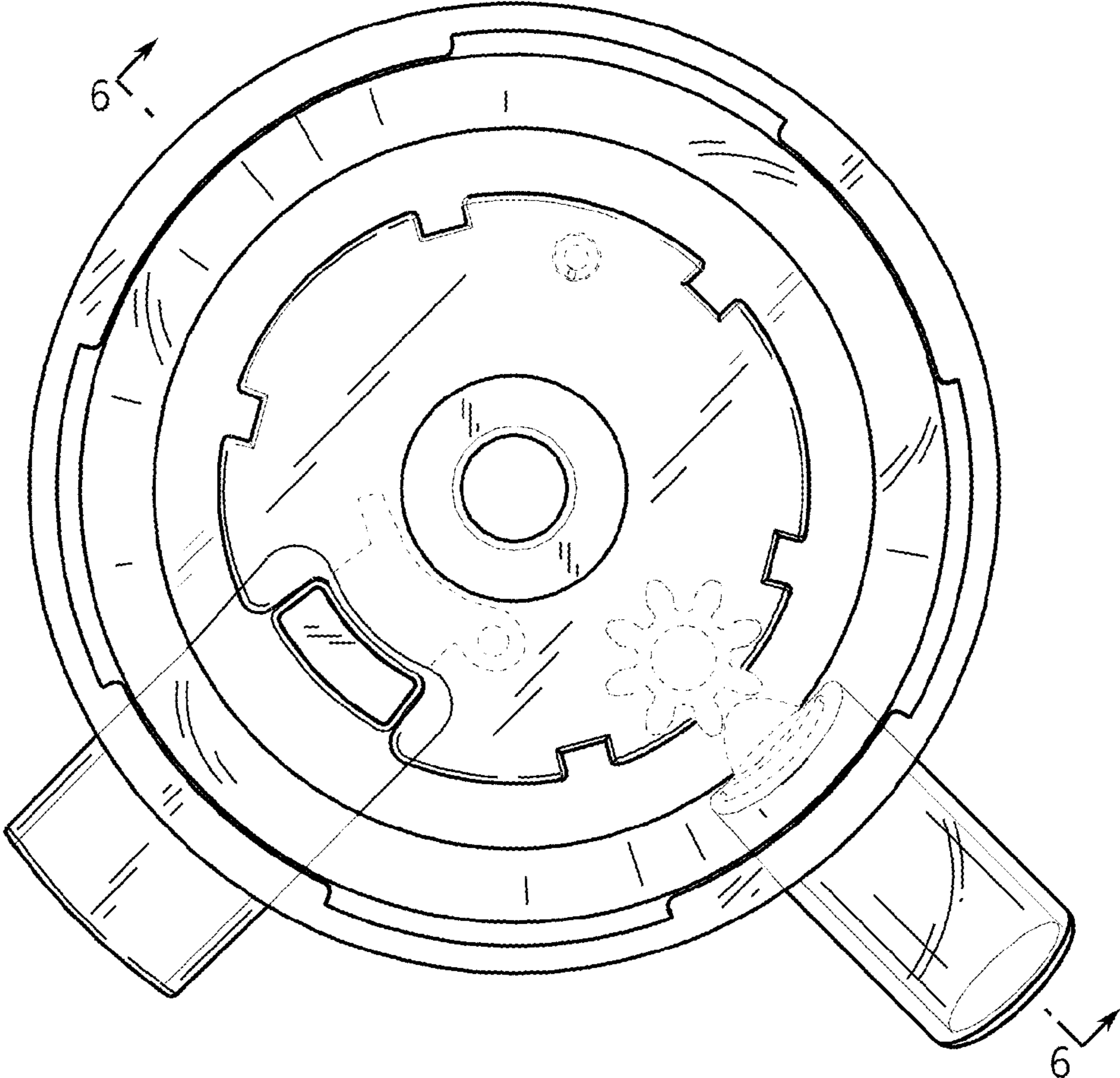


FIG. 5

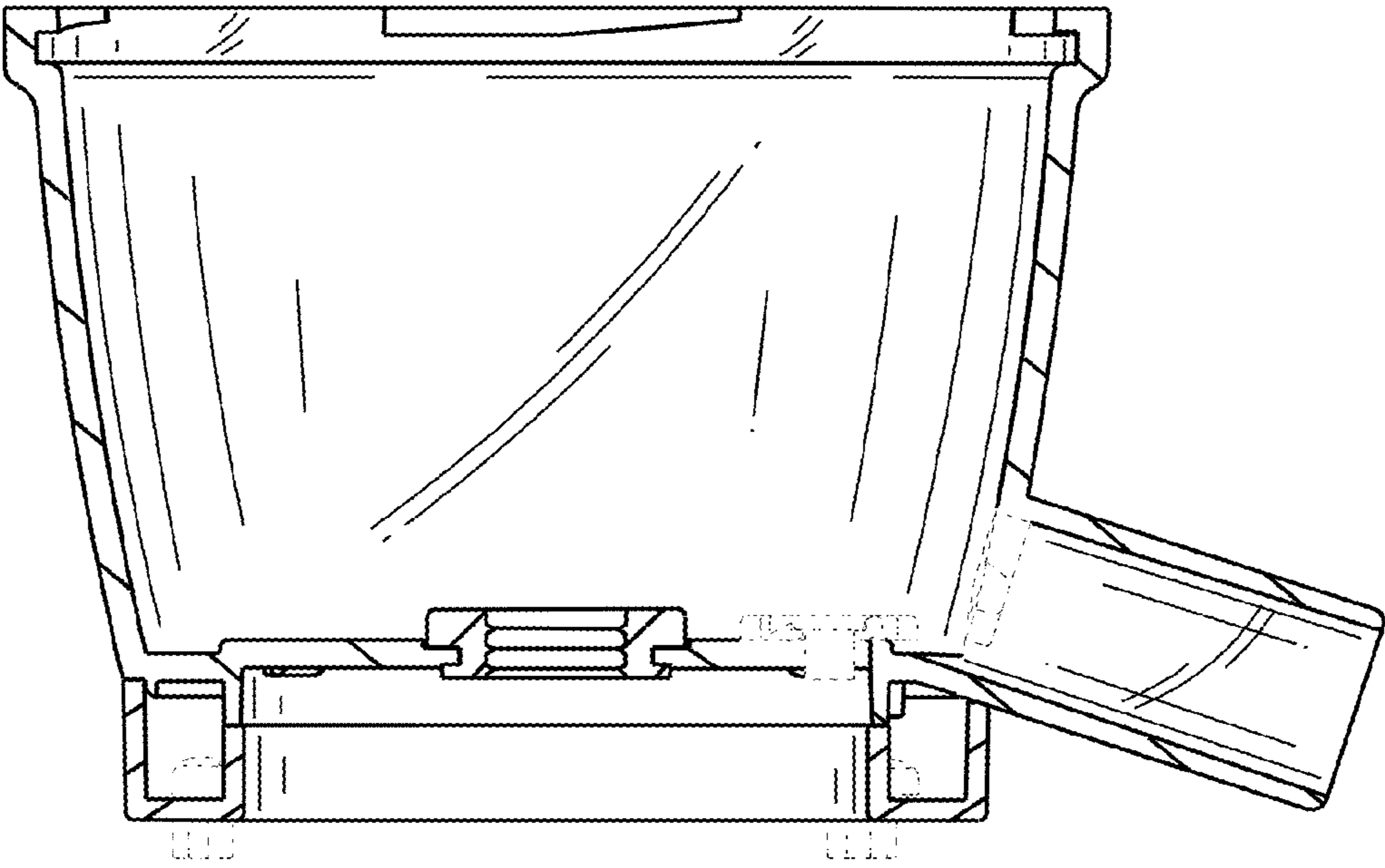


FIG. 6