



US00D718984S

(12) **United States Design Patent**
Musumeci

(10) **Patent No.:** **US D718,984 S**

(45) **Date of Patent:** **** Dec. 9, 2014**

(54) **AIR SPOON FOR CHILDREN**

(56) **References Cited**

(71) Applicant: **Marco Musumeci**, Saragossa (ES)

U.S. PATENT DOCUMENTS

(72) Inventor: **Marco Musumeci**, Saragossa (ES)

(**) Term: **14 Years**

(21) Appl. No.: **29/457,435**

(22) Filed: **Jun. 10, 2013**

(30) **Foreign Application Priority Data**

Mar. 25, 2013 (ES) 001365589-0001

(51) **LOC (10) Cl.** **07-03**

(52) **U.S. Cl.**

USPC **D7/654**; D7/401.2; D7/642; D7/653

(58) **Field of Classification Search**

CPC A01D 9/02; A01D 9/04; A01D 9/06;
A47G 21/00; A47G 21/004; A47G 21/005;
A47G 21/02; A47G 21/023; A47G 21/04;
A47G 21/06; A47G 21/08; A47J 43/28;
A47J 43/281; A47J 43/282; A61F 13/10;
A61J 7/0023; A63H 33/00; B25G 1/00;
B25G 1/01; B25G 1/02; B25G 3/00; B26B
19/38; B65D 75/56; B65D 75/563; B65D
75/566; B67B 7/00; B67B 7/724; B67B 7/73
USPC D1/113; D7/368, 401.2, 642-645,
D7/653-664, 669, 675-677, 683, 688-689,
D7/691; D8/107, 300-301; D9/673;
D21/430, 441, 447-451, 576;
D22/117-118; 16/110.1, 407, 430;
30/1, 137, 142-150, 196, 322-329,
30/340, 342-345; 294/25-26, 49, 55.5, 57

See application file for complete search history.

D138,778	S	*	9/1944	Millstein	D9/673
D149,705	S	*	5/1948	Struck	D21/450
D166,914	S	*	6/1952	Hepner	D7/655
D172,480	S	*	6/1954	Silletti	D7/655
D193,018	S	*	6/1962	Larsen	D7/655
D197,346	S	*	1/1964	Kramer	D7/654
D231,721	S	*	6/1974	Peterson	D7/655
3,968,591	A	*	7/1976	Pearson, Jr.	30/324
D257,757	S	*	1/1981	Acker	D7/655
D302,090	S	*	7/1989	Bergman	D7/655
D302,091	S	*	7/1989	Bergman	D7/655
D302,510	S	*	8/1989	Bergman	D7/655
D310,944	S	*	10/1990	Lutzker	D7/655
D322,149	S	*	12/1991	Wanvig et al.	D1/113
D322,150	S	*	12/1991	Wanvig et al.	D1/113
D323,054	S	*	1/1992	Risom	D1/113
D404,260	S	*	1/1999	Lake et al.	D7/655
D404,261	S	*	1/1999	Lake et al.	D7/655
D407,274	S	*	3/1999	Lake et al.	D7/655
D437,740	S	*	2/2001	Manion et al.	D7/655
7,231,719	B2	*	6/2007	Butcher	30/196
D554,439	S	*	11/2007	Malcolm et al.	D7/653
D554,440	S	*	11/2007	Malcolm et al.	D7/653
D576,451	S	*	9/2008	Bagley, Jr.	D7/655
D652,269	S	*	1/2012	Skolnik	D7/654
D706,086	S	*	6/2014	Bagley, Jr.	D7/654

* cited by examiner

Primary Examiner — Ricky Pham

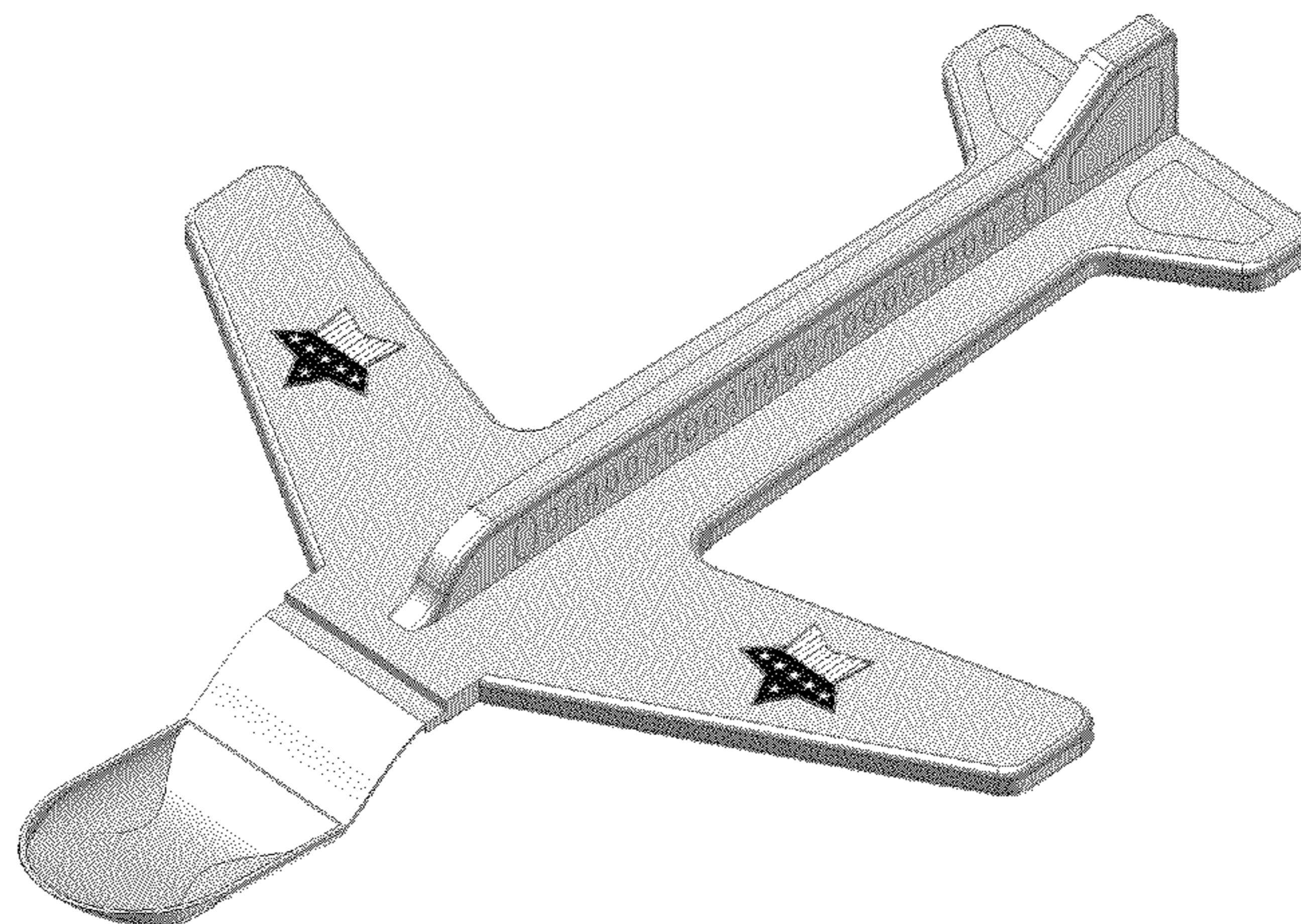
(57) **CLAIM**

The ornamental design for the air spoon for children, as shown.

DESCRIPTION

FIG. 1 is a front view of the air spoon for children showing my new design;
FIG. 2 is a perspective view thereof;
FIG. 3 is a right side view thereof; and,
FIG. 4 is a back view thereof.

1 Claim, 2 Drawing Sheets



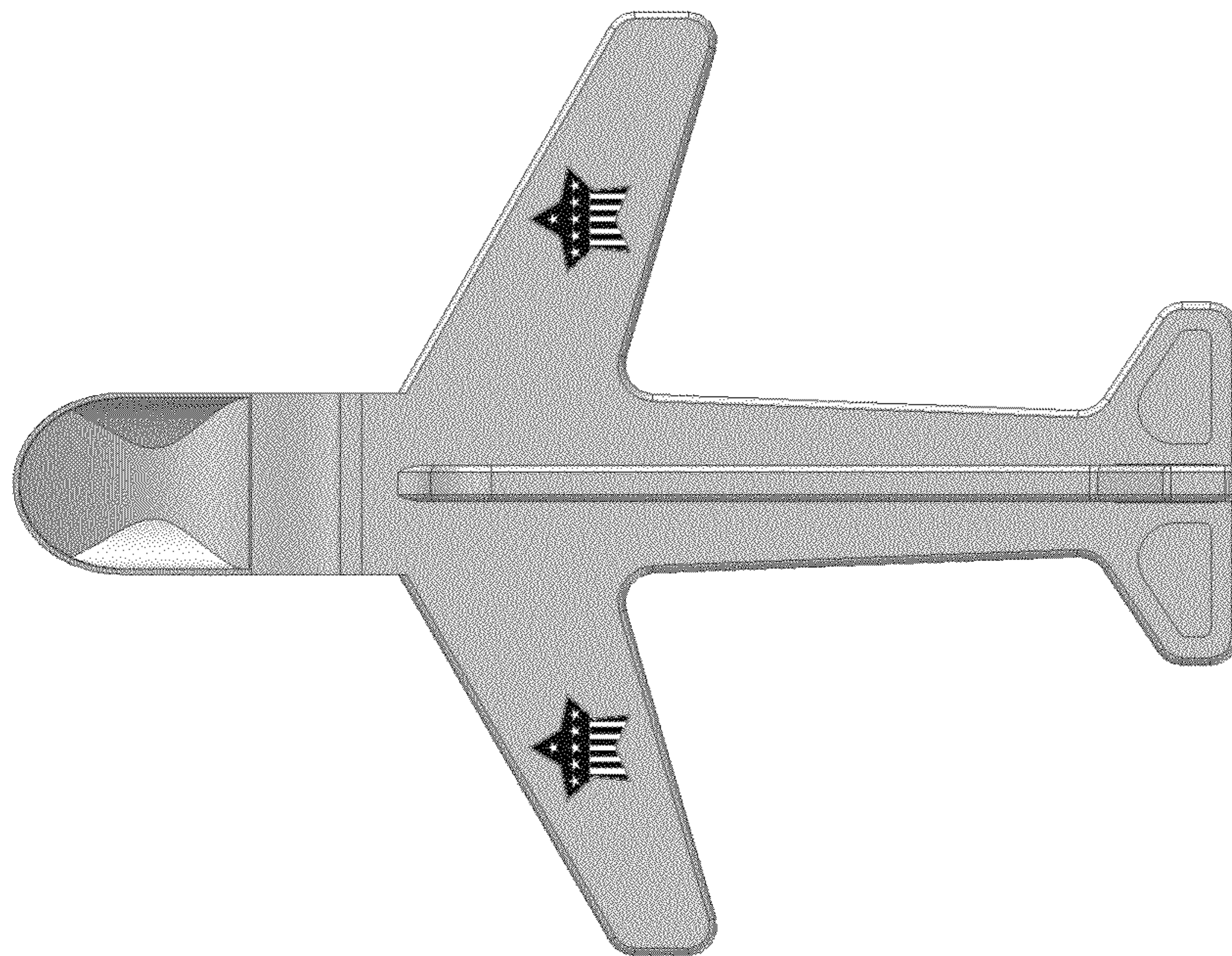


Fig. 1

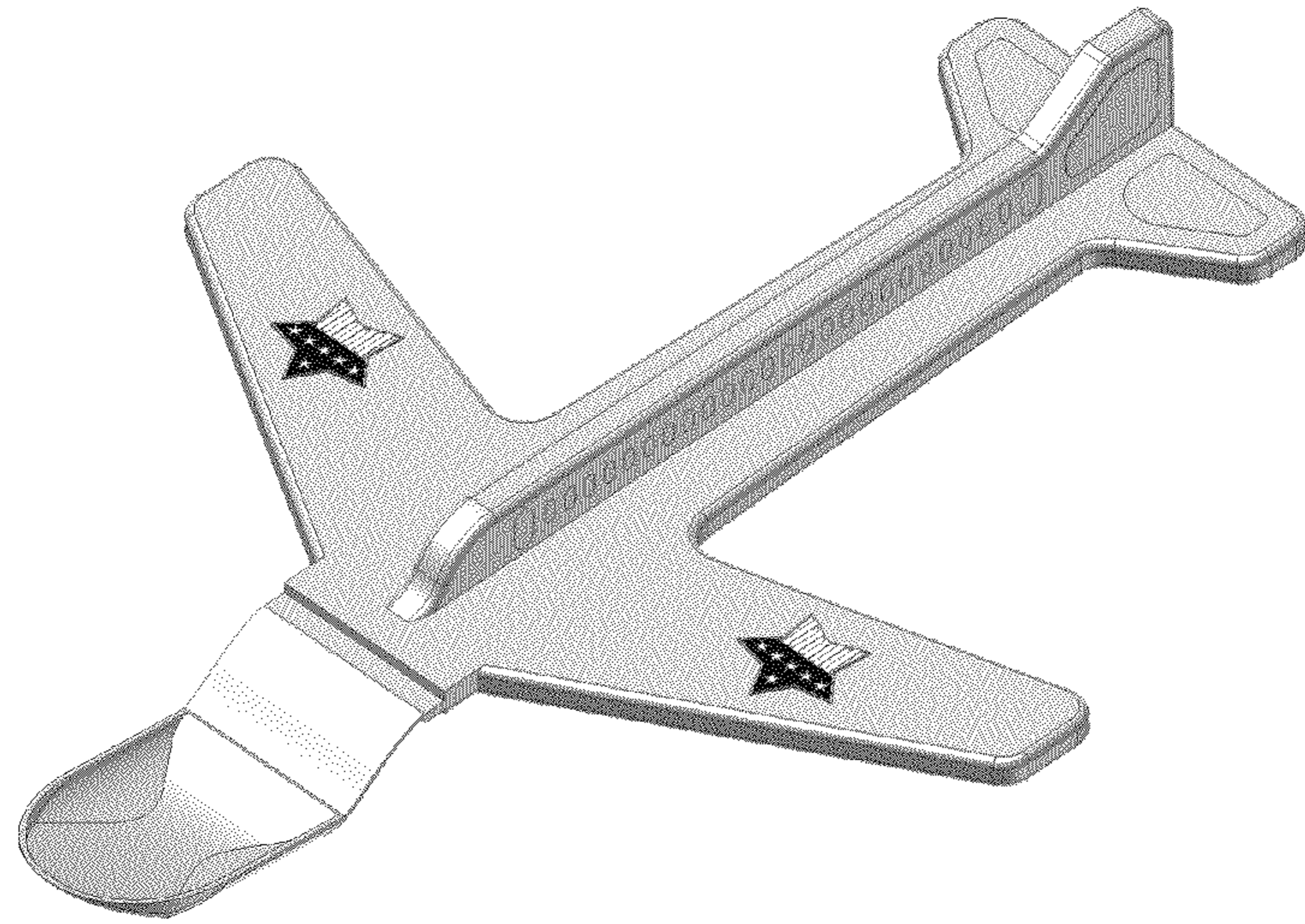


Fig. 2

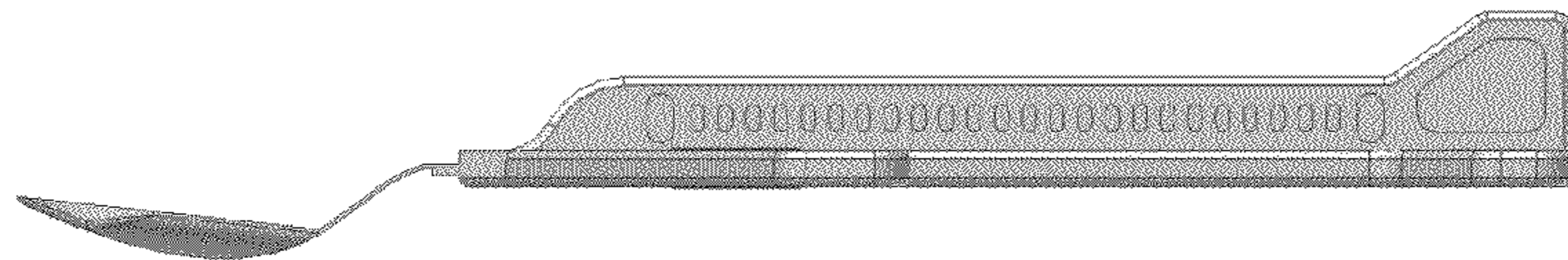


Fig. 3

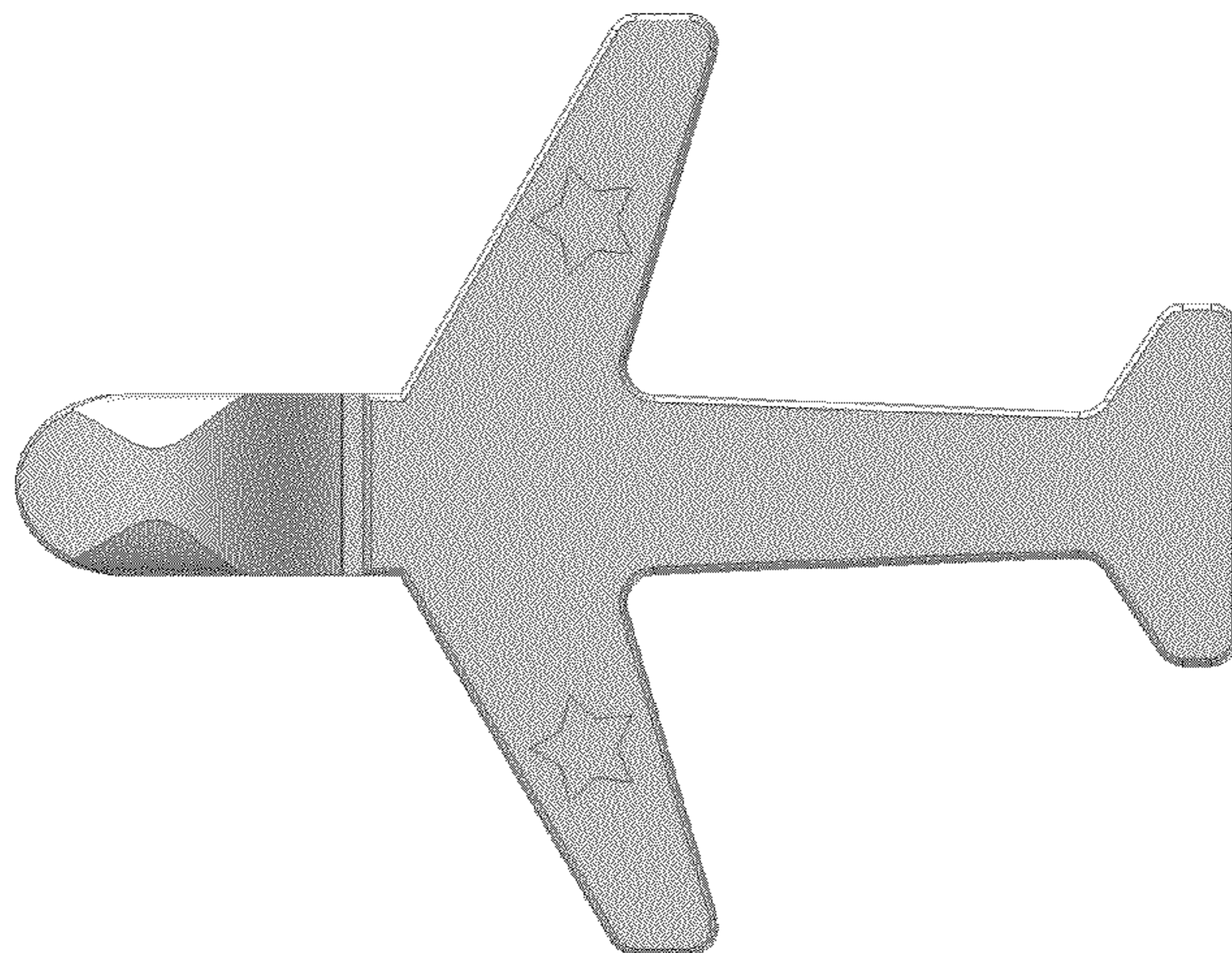


Fig. 4