



US00D718982S

(12) **United States Design Patent**
Archibald

(10) **Patent No.:** **US D718,982 S**
(45) **Date of Patent:** **** Dec. 9, 2014**

(54) **COASTER**

(71) Applicant: **Stephen John Archibald**, Gauteng (ZA)

(72) Inventor: **Stephen John Archibald**, Gauteng (ZA)

(**) Term: **14 Years**

(21) Appl. No.: **29/470,690**

(22) Filed: **Oct. 24, 2013**

(51) **LOC (10) Cl.** **07-06**

(52) **U.S. Cl.**
USPC **D7/624.1**

(58) **Field of Classification Search**

USPC D7/619.1-625, 388; D21/385, 813;
248/346.11, 346.01; 434/106; 273/161
See application file for complete search history.

(56) **References Cited**

U.S. PATENT DOCUMENTS

D526,537 S * 8/2006 Rosenberg et al. D7/619.1

* cited by examiner

Primary Examiner — Terry Wallace

(74) *Attorney, Agent, or Firm* — Haugen Law Firm PLLP

(57) **CLAIM**

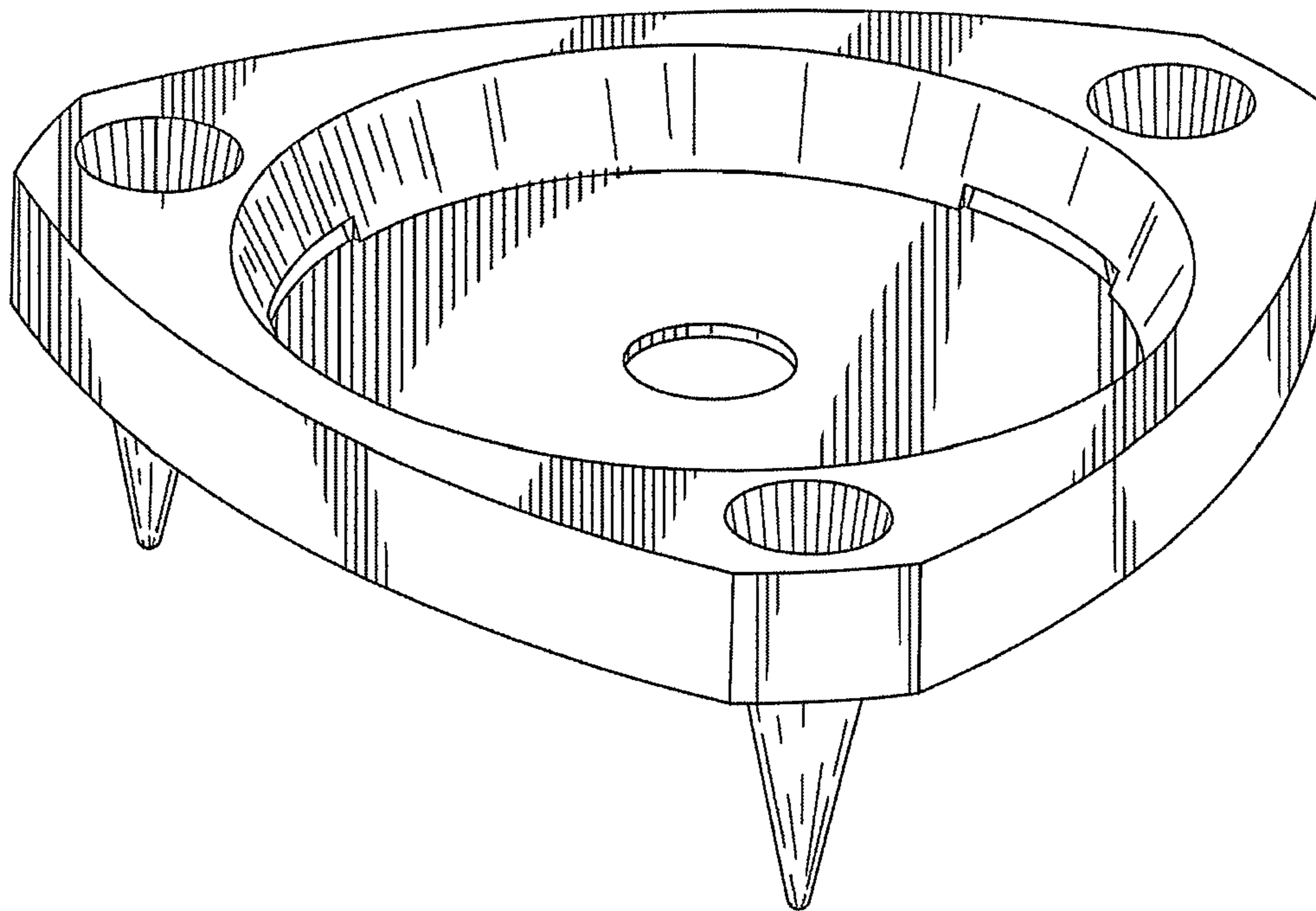
The ornamental design for a coaster, as shown and described.

DESCRIPTION

FIG. 1 is a top perspective view of the design;
FIG. 2 is a front elevational view of the design;
FIG. 3 is rear elevational view of the design;
FIG. 4 is a left side elevational view of the design;
FIG. 5 is a right side elevational view of the design;
FIG. 6 is a top plan view of the design;
FIG. 7 is a bottom plan view of the design; and,
FIG. 8 is a top perspective view of the design in a stacked
grouping.

The broken line showing is for illustrative purposes only, and forms no part of the claimed design.

1 Claim, 5 Drawing Sheets



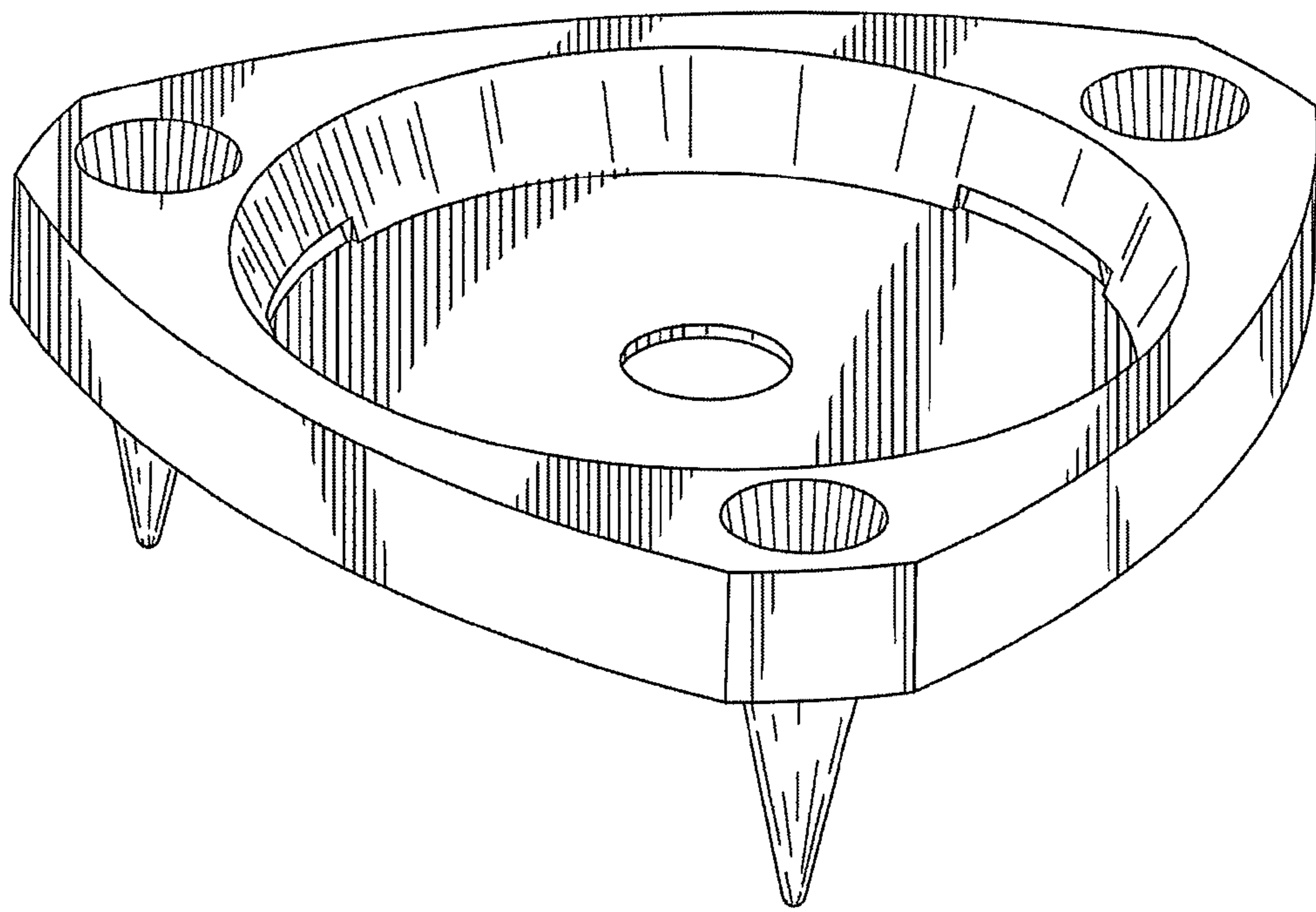


Figure 1

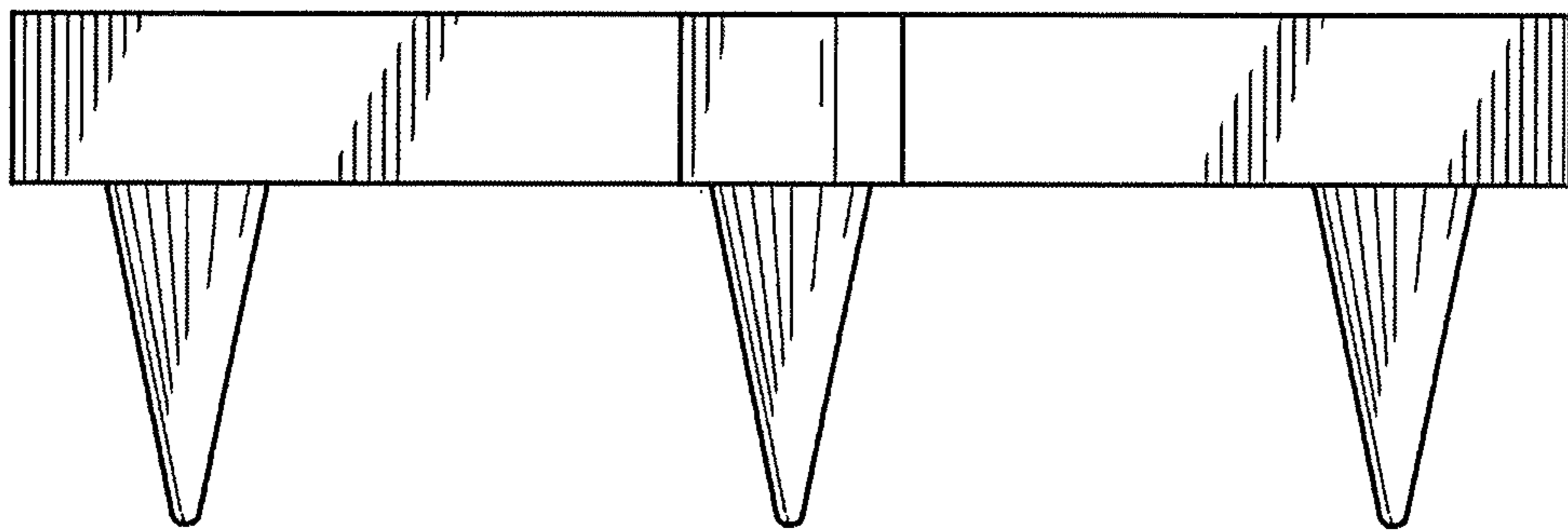


Figure 2

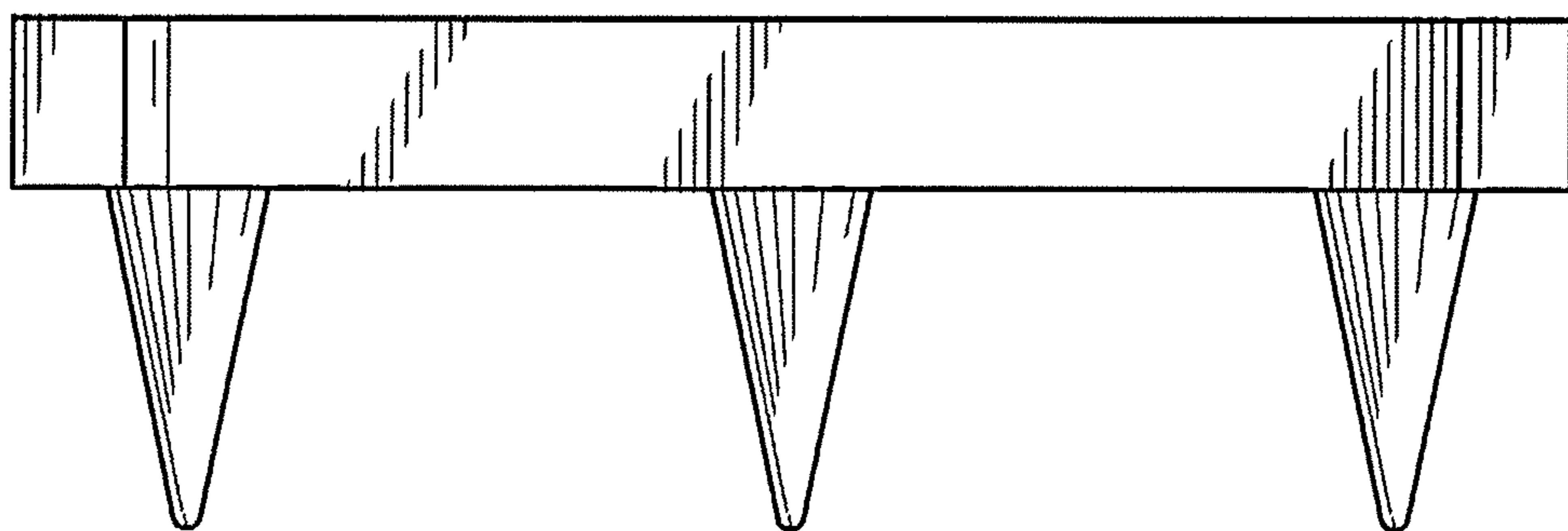


Figure 3

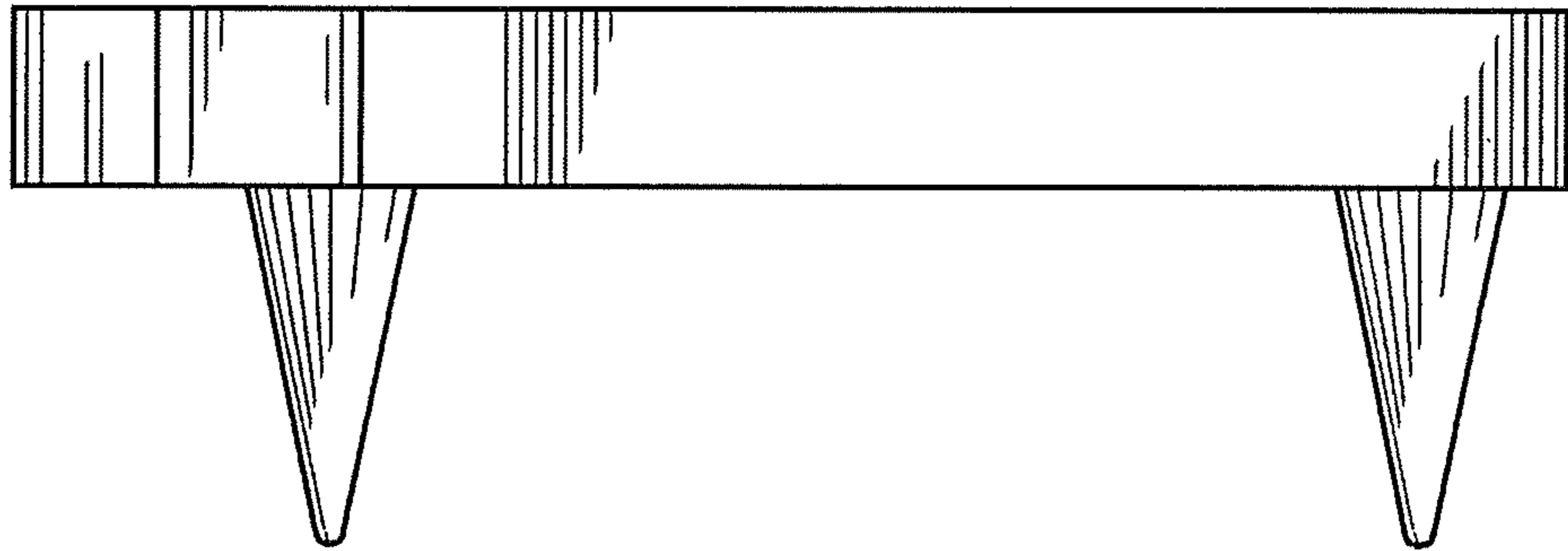


Figure 4

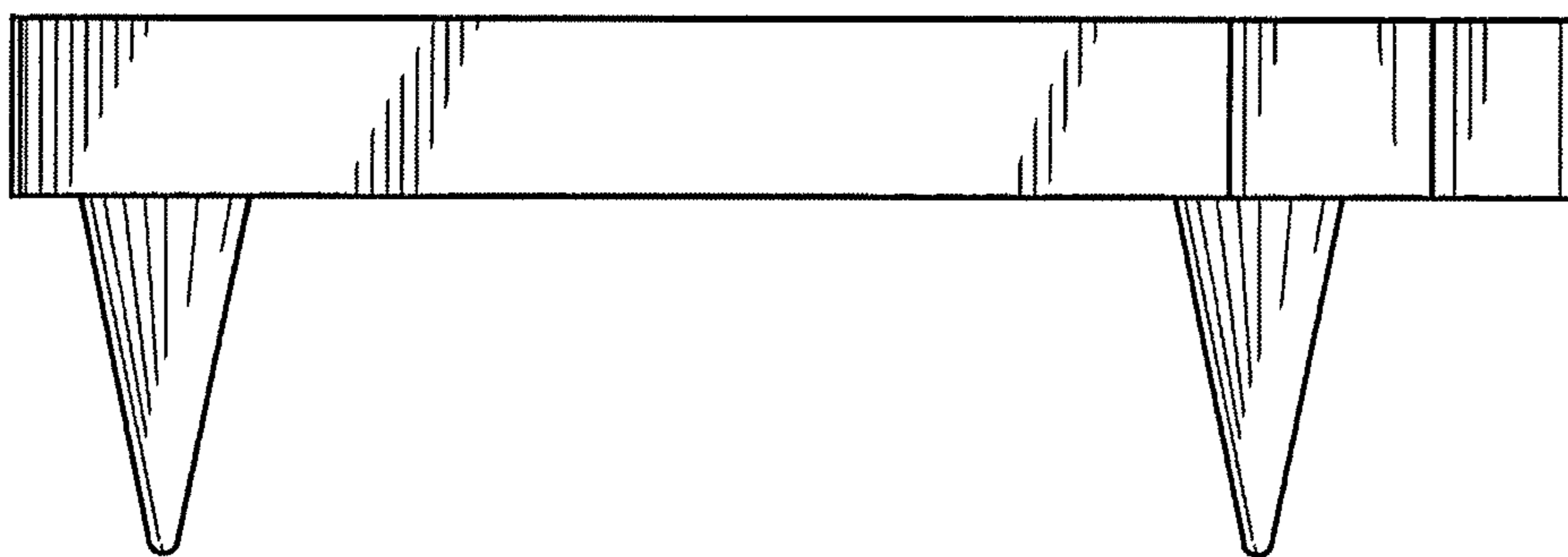


Figure 5

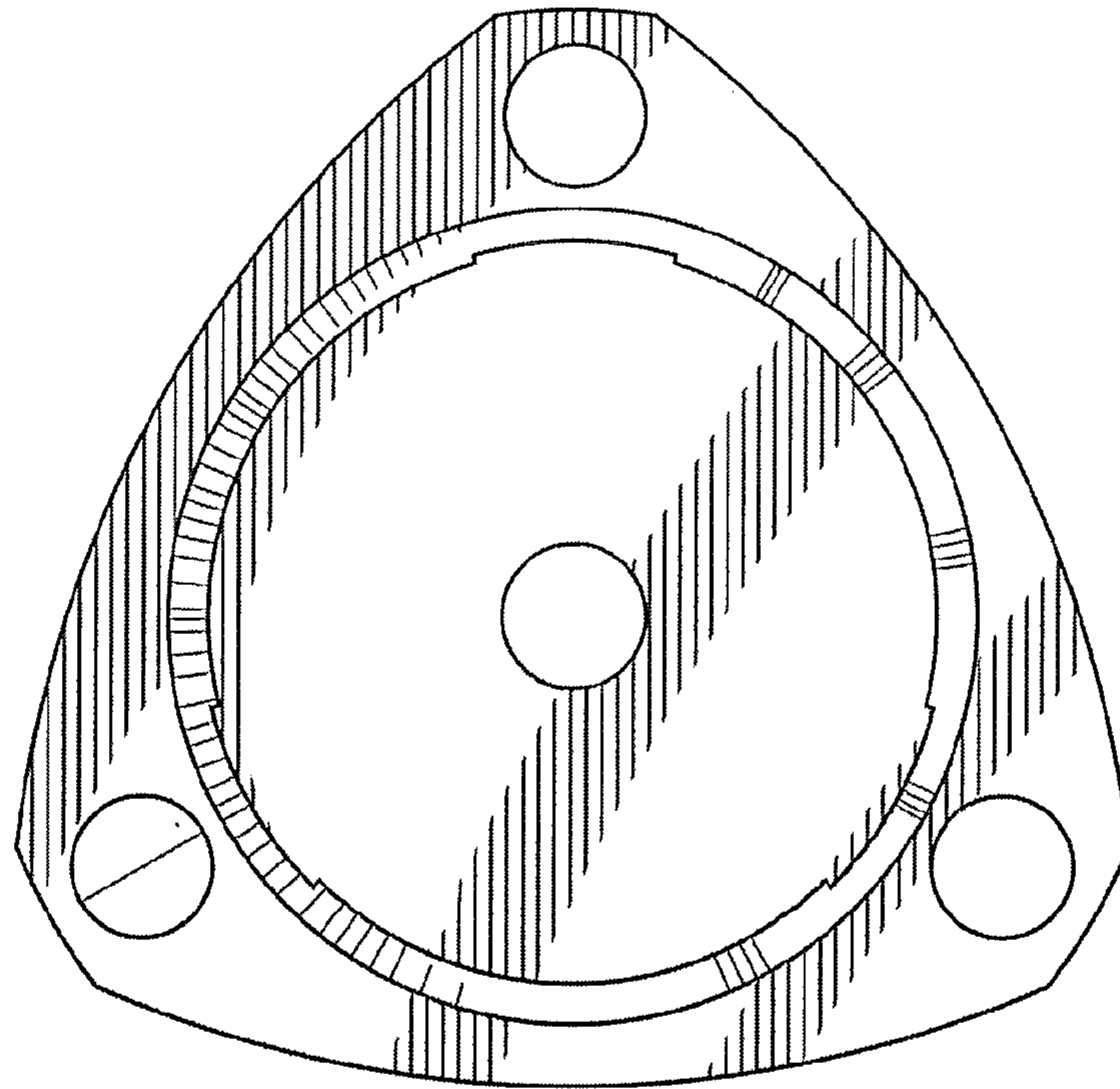


Figure 6

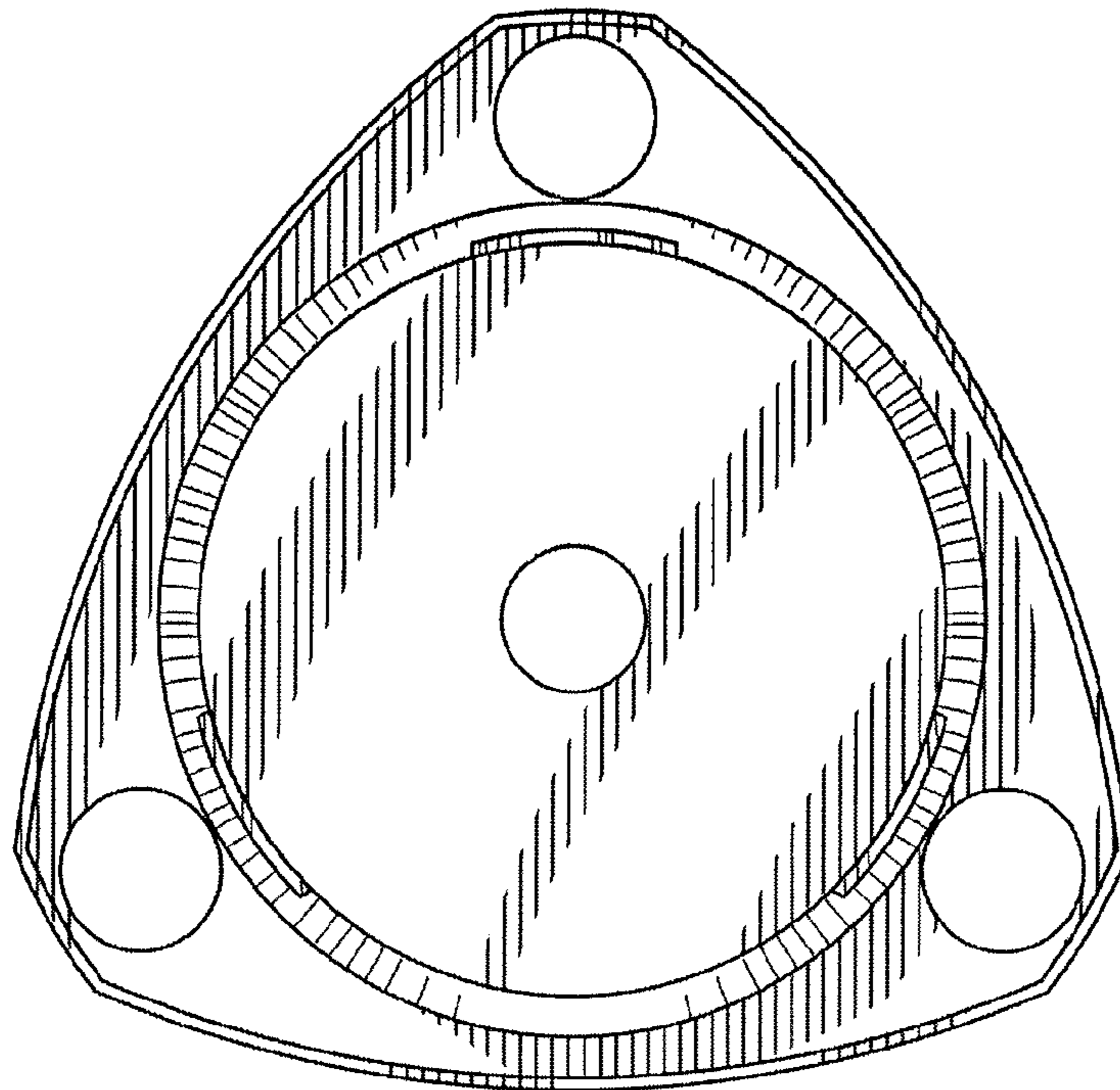


Figure 7

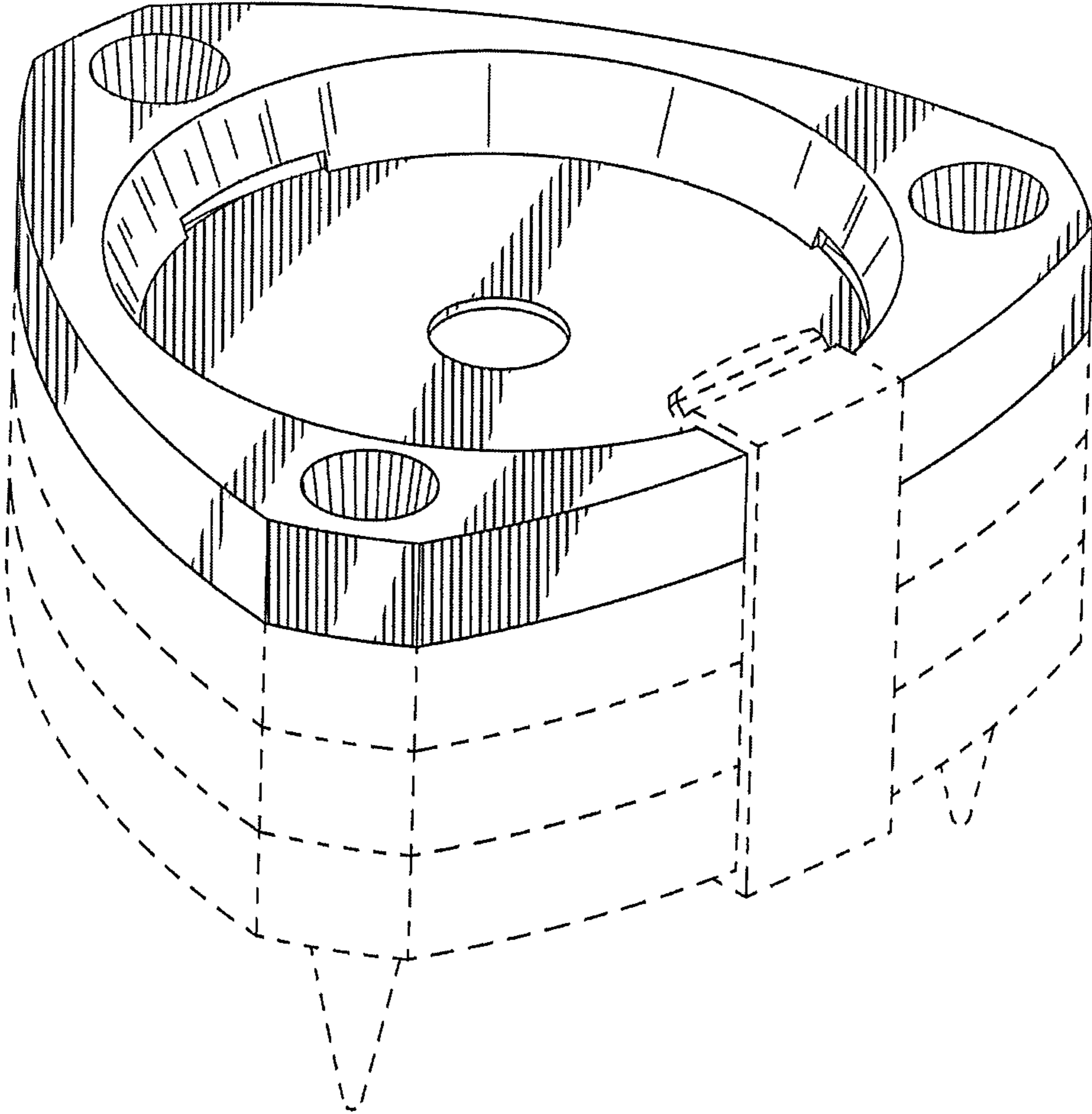


Figure 8