



US00D718981S

(12) **United States Design Patent**
Katterheinrich et al.

(10) **Patent No.:** **US D718,981 S**
(45) **Date of Patent:** **** Dec. 9, 2014**

- (54) **SERVING VESSEL**
- (71) Applicant: **Target Brands, Inc.**, Minneapolis, MN (US)
- (72) Inventors: **Kent D. Katterheinrich**, Shoreview, MN (US); **William Peterson**, Minneapolis, MN (US)
- (73) Assignee: **Target Brands, Inc.**, Minneapolis, MN (US)
- (**) Term: **14 Years**
- (21) Appl. No.: **29/455,826**
- (22) Filed: **May 24, 2013**
- (51) **LOC (10) Cl.** **07-01**
- (52) **U.S. Cl.**
USPC **D7/550.1; D7/553.2; D7/554.4**
- (58) **Field of Classification Search**
CPC **A45C 11/20; A47G 19/02; A47G 19/06; A47G 23/06; A47G 23/0625**
USPC **D7/500, 505, 506, 507, 512, 513, 541, D7/543, 545, 550.1, 551, 553, 553.6, 554, D7/540, 549, 555, 557, 560, 562, 565, 568, D7/570, 571, 572, 584-588, 642-645, 653, D7/654, 664, 329, 354, 360, 396.4, 409, D7/553.2, 553.7, 551.1, 544, 554.3, 554.4; D9/715, 717, 347, 432, 337, 338, 425, D9/718, 749, 757, 758, 756, 760, 761, 762, D9/428, 430, 431, 456, 499; D6/302, 303, D6/309, 592; D30/130; 220/574, 574.1; 206/555, 557, 558**
See application file for complete search history.

924,849 A * 6/1909 Smith 220/575
 D67,011 S 4/1925 Clarke
 D71,003 S * 9/1926 Roberts D32/35

(Continued)

OTHER PUBLICATIONS

“Passion Red Chip and Dip Platter”, printed from www.webstaurantstore.com/passion-red-chip-and-dip-platter-15-x-15-6-pk/271PS1515RD.html on Mar. 21, 2013 (3 pages).

(Continued)

Primary Examiner — Marianne Pandozzi
Assistant Examiner — Jae Liang
 (74) *Attorney, Agent, or Firm* — Griffiths & Seaton PLLC; JoAnn M. Seaton

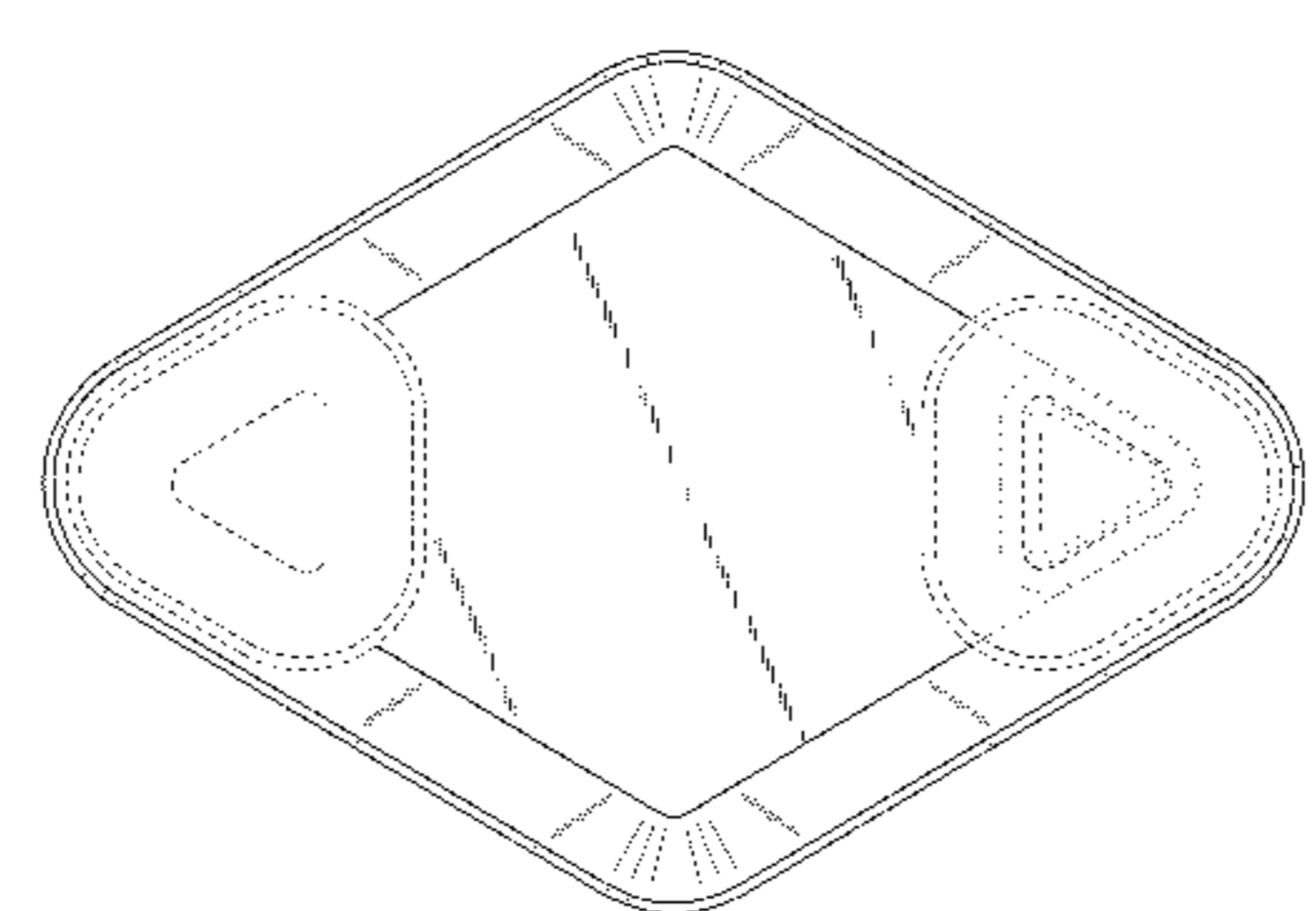
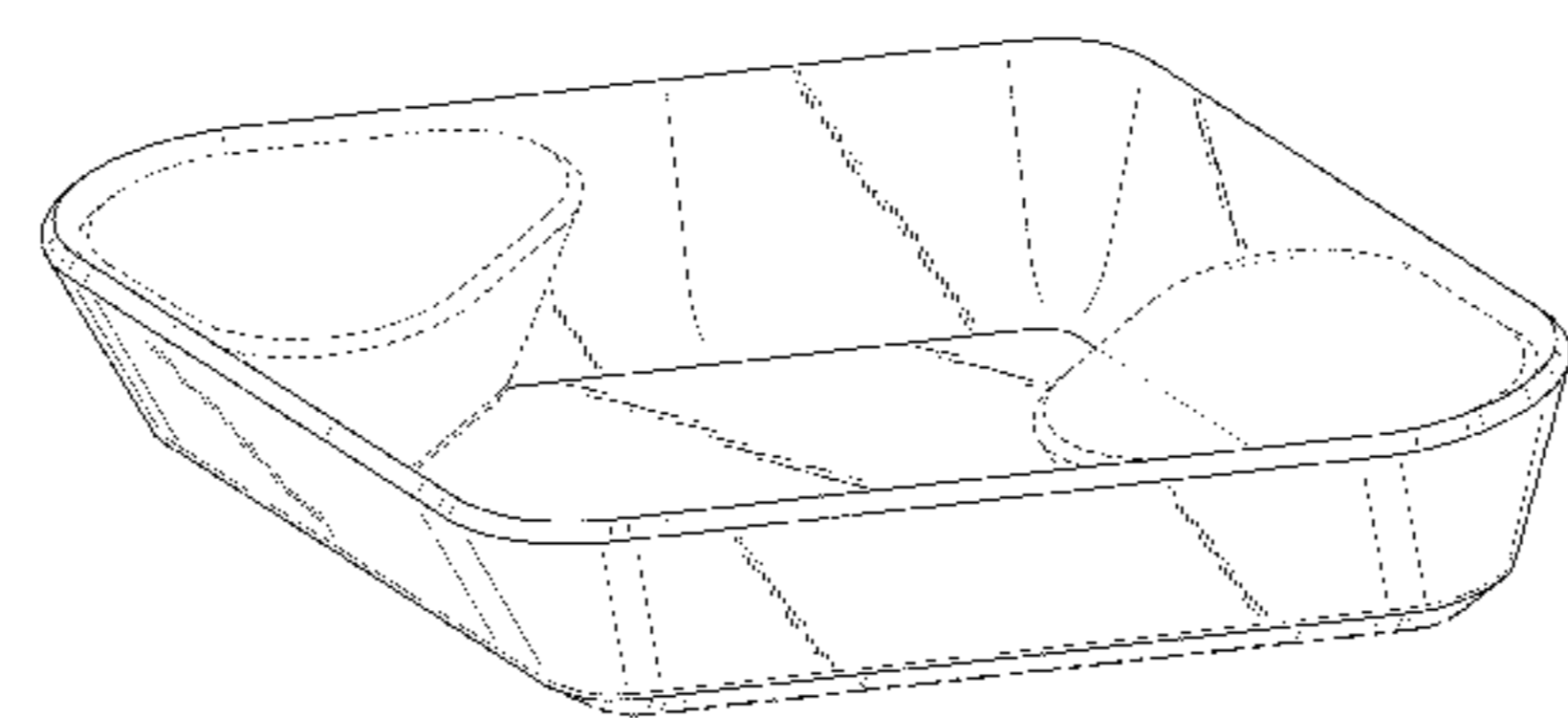
(57) **CLAIM**
 The ornamental design for a serving vessel, as shown and described.

DESCRIPTION

FIG. 1 is a front, perspective view of a serving vessel showing our new design with environmental subject matter shown in broken lines;
 FIG. 2 is a front view thereof, the rear view being a mirror image of the front view;
 FIG. 3 is a right side view thereof, the left side view being a mirror image of the right side view;
 FIG. 4 is a top view thereof; and
 FIG. 5 is a bottom view thereof.
 FIG. 6 is an exploded, front, perspective view of the serving vessel and environmental subject matter of FIG. 1;
 FIG. 7 is a front view thereof, the rear view being a mirror image of the front view;
 FIG. 8 is a right side view thereof;
 FIG. 9 is a right side view thereof;
 FIG. 10 is a top view thereof; and
 FIG. 11 is a bottom view thereof.

- (56) **References Cited**
U.S. PATENT DOCUMENTS
 D35,475 S * 12/1901 Springer D7/550.1
 908,723 A * 1/1909 Anderson 220/575

1 Claim, 10 Drawing Sheets



(56)

References Cited

U.S. PATENT DOCUMENTS

- 1,607,864 A * 11/1926 Butler 220/574
 1,677,845 A * 7/1928 Pinney 220/23.4
 1,836,031 A * 12/1931 Krey 294/172
 2,008,619 A * 7/1935 Levi 206/557
 D109,048 S * 3/1938 Brogden D9/431
 D110,388 S * 7/1938 Farber D7/549
 2,170,040 A * 8/1939 Stuart 220/574
 2,175,500 A * 10/1939 Bemis 99/340
 D132,314 S * 5/1942 Melville D7/354
 D139,003 S * 10/1944 Carlson D27/134
 2,878,932 A 3/1959 Martire, Jr
 D185,911 S 8/1959 Chadbourne et al.
 3,219,226 A 11/1965 Schroeder
 D209,769 S 1/1968 Bateman et al.
 D221,883 S 9/1971 Cash
 D248,712 S * 8/1978 Guibert D7/505
 D249,917 S * 10/1978 Collins D7/505
 D253,927 S * 1/1980 Conley D7/505
 4,279,354 A * 7/1981 Conti 220/23.83
 D265,777 S * 8/1982 Elzea et al. D6/633
 D273,842 S 5/1984 Jeannin
 4,461,396 A 7/1984 Harper
 4,607,758 A 8/1986 Stevens
 D285,638 S 9/1986 Trivison
 4,744,597 A 5/1988 Bauman et al.
 D298,296 S * 11/1988 Washburn et al. D7/553.8
 D304,658 S 11/1989 Mattei
 4,966,297 A 10/1990 Doty
 D312,026 S 11/1990 Antoni et al.
 D314,885 S 2/1991 Brunner
 4,989,742 A 2/1991 Powell
 D322,914 S 1/1992 Unger
 5,125,363 A 6/1992 McGaha
 5,419,455 A 5/1995 Russeau
 5,429,231 A 7/1995 McSpadden
 5,429,266 A 7/1995 D'Oliveira et al.
 D362,090 S * 9/1995 Baldwin et al. D30/130
 D368,627 S 4/1996 McSpadden
 5,593,062 A 1/1997 Martin
 D384,556 S 10/1997 Logan et al.
 D399,095 S 10/1998 Schmidt
 D402,411 S 12/1998 Radler
 D410,820 S * 6/1999 Lofrano D7/549
 D417,785 S 12/1999 Daniels
 D419,364 S * 1/2000 Jarvis D7/354
 D426,110 S 6/2000 Schmidt
 RE36,867 E 9/2000 Rozzano
 D432,913 S * 10/2000 Hurwic D9/430
 D434,946 S * 12/2000 Jarvis D7/554.4
 6,168,813 B1 1/2001 Blazeovich
 6,199,715 B1 * 3/2001 Hayes et al. 220/608
 D444,487 S * 7/2001 Pinchot D15/199
 D449,966 S 11/2001 DeMars
 6,311,841 B1 11/2001 Hodges
 6,315,126 B1 11/2001 Cornelissen
 D471,405 S * 3/2003 Wellner D7/543
 D473,755 S * 4/2003 Thun D7/545
 D481,262 S * 10/2003 Tisdale et al. D7/586
 D483,227 S * 12/2003 Oas D7/544
 D488,352 S * 4/2004 Tisdale et al. D7/586
 6,729,472 B2 5/2004 Stucke et al.
 6,783,017 B2 8/2004 Griffin
 D504,799 S 5/2005 Lawson et al.
 D513,934 S * 1/2006 Warner D7/584
 D515,939 S 2/2006 Al Sanea
 D517,366 S * 3/2006 Oztiryaki D7/354
 D532,258 S * 11/2006 Bardolet D7/554.3
 D535,195 S 1/2007 Schwab
 D540,122 S * 4/2007 Wasserman et al. D7/584
 D551,907 S * 10/2007 Zettle et al. D7/542
 D560,099 S 1/2008 Hatcher
 D563,728 S * 3/2008 Welch, III D7/553.4
 D572,148 S 7/2008 Mangino et al.
 D572,149 S 7/2008 Mangino et al.
 D572,537 S * 7/2008 Bardolet D7/566
 D572,540 S 7/2008 Shew et al.
 D572,541 S 7/2008 Shew et al.
 D573,408 S * 7/2008 Lovett D7/553.2
 D578,352 S * 10/2008 Hauser D7/552.2
 D587,970 S 3/2009 Zack et al.
 7,506,763 B2 3/2009 Hatcher
 D592,013 S 5/2009 Bizzell et al.
 D592,014 S 5/2009 Bizzell et al.
 D595,538 S * 7/2009 Starck D7/507
 D605,896 S 12/2009 Zalewski et al.
 D605,897 S * 12/2009 Brown D7/566
 D607,275 S 1/2010 Griffith
 D608,609 S 1/2010 Eaton
 D609,973 S 2/2010 Shew et al.
 D610,876 S 3/2010 Busby
 D610,877 S * 3/2010 Cooper D7/556
 D611,306 S 3/2010 Zack et al.
 D612,211 S 3/2010 Busby
 D614,449 S 4/2010 Cooper
 D616,265 S 5/2010 Kulzer
 D616,266 S 5/2010 Kulzer
 D616,267 S 5/2010 Kulzer
 D616,268 S 5/2010 Kulzer
 D616,269 S 5/2010 Kulzer
 D616,270 S 5/2010 Kulzer
 D616,714 S 6/2010 Kulzer
 D616,715 S 6/2010 Kulzer
 7,735,651 B2 * 6/2010 Shew et al. 206/541
 7,736,580 B2 6/2010 Shew et al.
 D619,860 S 7/2010 Kulzer
 D622,588 S 8/2010 Wichmann et al.
 D624,794 S 10/2010 Kulzer
 D628,449 S 12/2010 Kulzer
 D628,450 S 12/2010 Kulzer
 D628,471 S 12/2010 Golota et al.
 D631,203 S 1/2011 Hall
 D636,412 S 4/2011 Misse
 D638,254 S 5/2011 Barber
 D638,255 S 5/2011 Barber
 7,934,449 B2 5/2011 Anderson et al.
 D639,107 S 6/2011 Barber
 D639,447 S 6/2011 Karpiloff
 D640,099 S * 6/2011 Marshall D7/584
 D640,570 S 6/2011 Landry
 D641,258 S 7/2011 Wilson et al.
 D643,266 S 8/2011 Kulzer
 8,006,369 B2 8/2011 Shew et al.
 D648,635 S 11/2011 Golota et al.
 D651,047 S 12/2011 Johnson et al.
 D652,259 S 1/2012 Hatcher et al.
 D653,496 S * 2/2012 Henry D7/354
 D655,567 S 3/2012 Kirkland et al.
 D658,989 S 5/2012 Nelissen
 D672,209 S 12/2012 Lion et al.
 D682,038 S * 5/2013 Jones D7/556
 D682,457 S * 5/2013 Watt D26/74
 D685,611 S * 7/2013 Jones et al. D7/544
 D687,679 S * 8/2013 Mikulka D7/553.2
 D691,855 S * 10/2013 Dabney-Wiggs D7/553.2
 D697,759 S 1/2014 Katterheinrich et al.
 D699,078 S 2/2014 Katterheinrich et al.
 2007/0205190 A1 9/2007 Yang
 2008/0206437 A1 8/2008 Perry
 2009/0035419 A1 * 2/2009 Woods et al. 426/72
 2009/0092719 A1 * 4/2009 Shew et al. 426/389

OTHER PUBLICATIONS

- “Chip and Dip Platter (Passion Pearl)”, printed from www.kitcheninspire.com/dinnerware/table-top/melamine/passion-pearl/chip-and-dip-platter-passion-pearl-ps1515v on Mar. 21, 2013 (2 pages).
 “Amscan Green Plastic Chip and Dip Tray”, printed from www.sears.com/amscan-green-plastic-chip-and-dip-tray/p-SPM594953914?prdNo=11&blockNo=11&blockType=G11 available at least as early as Feb. 16, 2013 (1 page).
 U.S. Appl. No. 29/449,032, filed Mar. 14, 2013 (19 pages).
 “2-Piece Chip and Dip Set”, printed from www.crateandbarrel.com/2-piece-chip-and-dip-set/s613642 on Feb. 27, 2013 (2 pages).

(56)

References Cited

OTHER PUBLICATIONS

“Don Drumm Diamond Dip Platter”, printed from http://dondrummstudios.com/catalog/product_info.php?products_id=4400&osCsid=1wvcbueiizgyg on Mar. 25, 2013 (1 page).

“Stoneware Pottery Chip and Dip Sets”, printed from www.outofthefirestudio.com/chip_and_dip.html on Oct. 10, 2011 (2 pages).

“Artesia Chip and Dip”, printed from <http://www.crateandbarrel.com/dining-and-entertaining/chip-and-dips/1> on Oct. 10, 2011 (1 page).

“Vintage Card Suit Snack Set Circa 1960s”, printed from www.shop.luv2luvantiques.com/index.php?act=viewProd&productId=55 publicly available as early as Feb. 2, 2012 per <http://web.archive.org> (2 pages).

“Weight Boats, Diamond, Black”, printed from www.spectrum-scientifics.com/Weigh-Boats-Diamond-Black-5ml-35mm-x-55mm-500p-p/4449.htm on Mar. 25, 2013 (2 pages).

“16" x 12" White Diamond Coupe Serving Platter12/CS”, printed from www.webstaurantstore.com/16-x-12-white-diamond-coupe-serving-platter-12-cs/303DMC61.html publicly available as early as Mar. 7, 2012 per <http://web.archive.org> (3 pages).

Office Action from Canadian Patent Application No. 152,216, mailed Mar. 12, 2014 (3 pages).

* cited by examiner

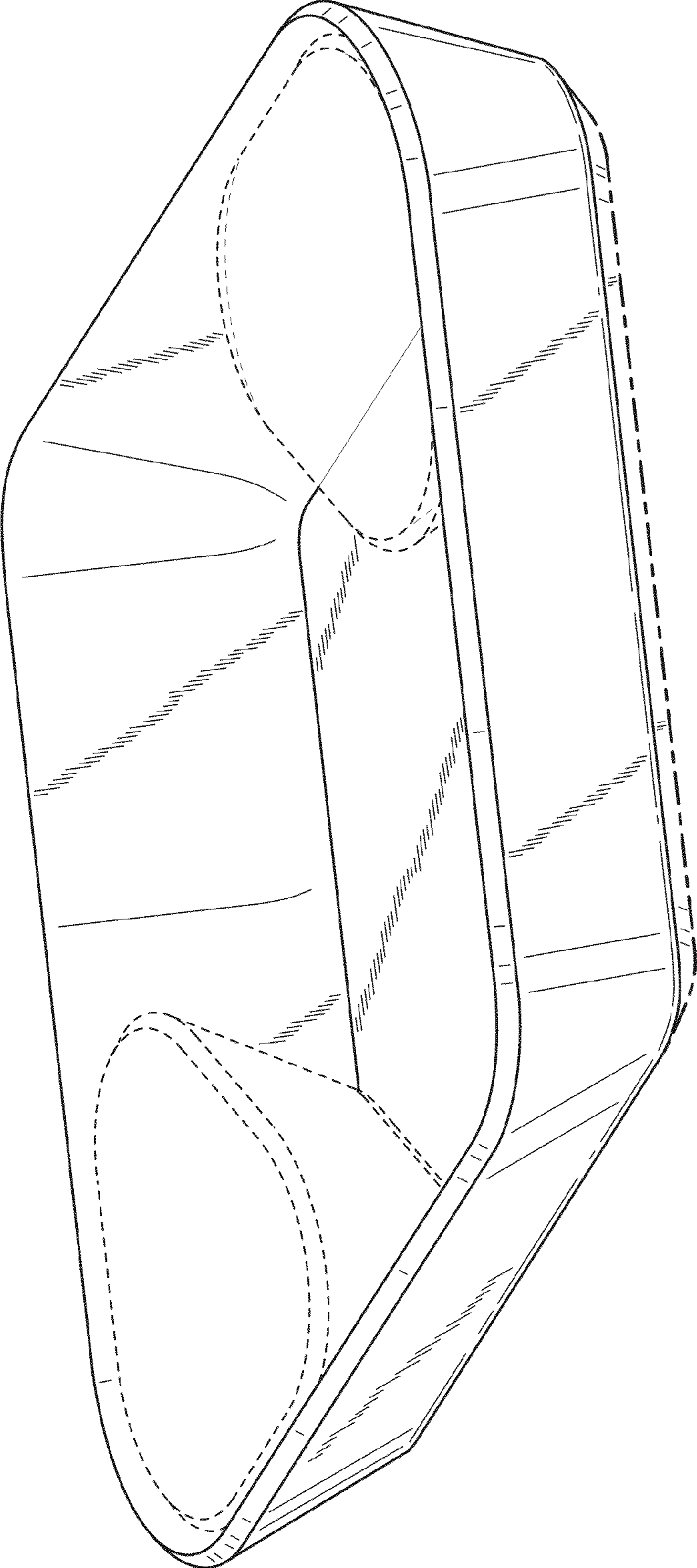


FIG. 1

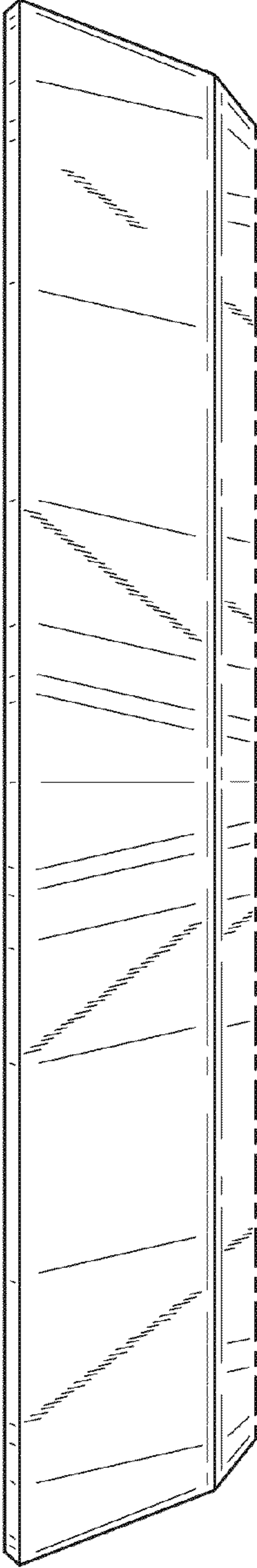


FIG. 2

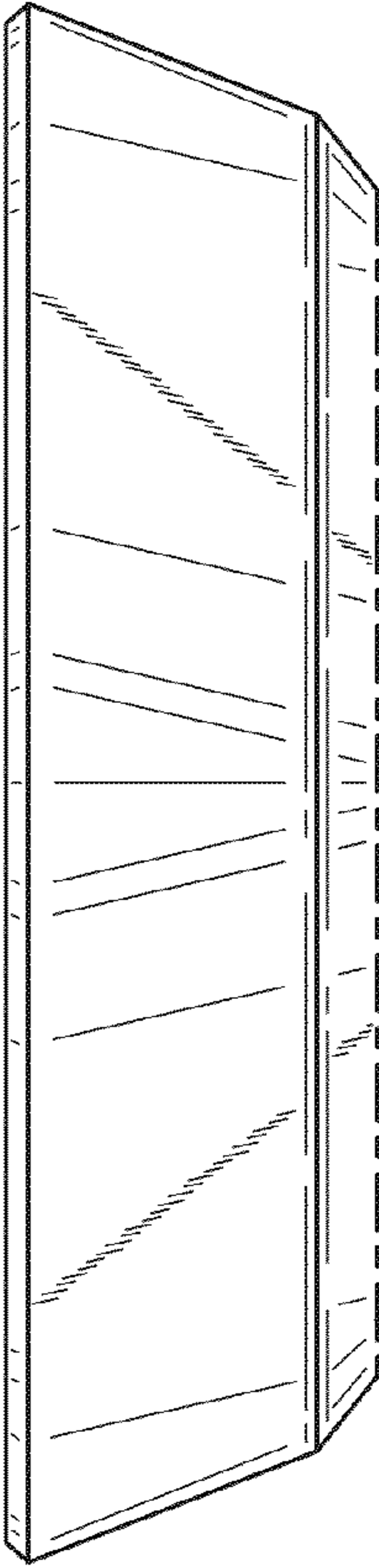


FIG. 3

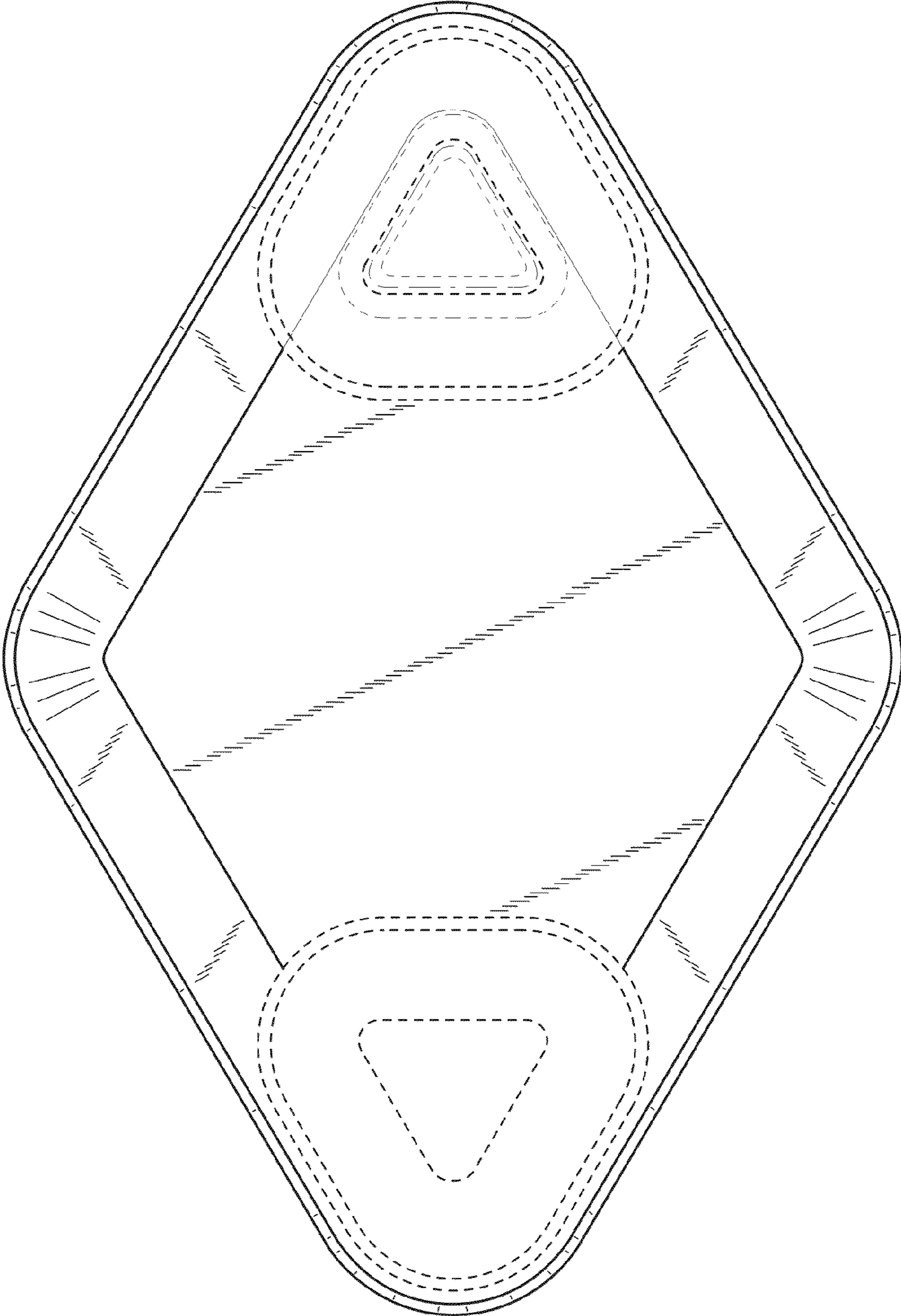


FIG. 4

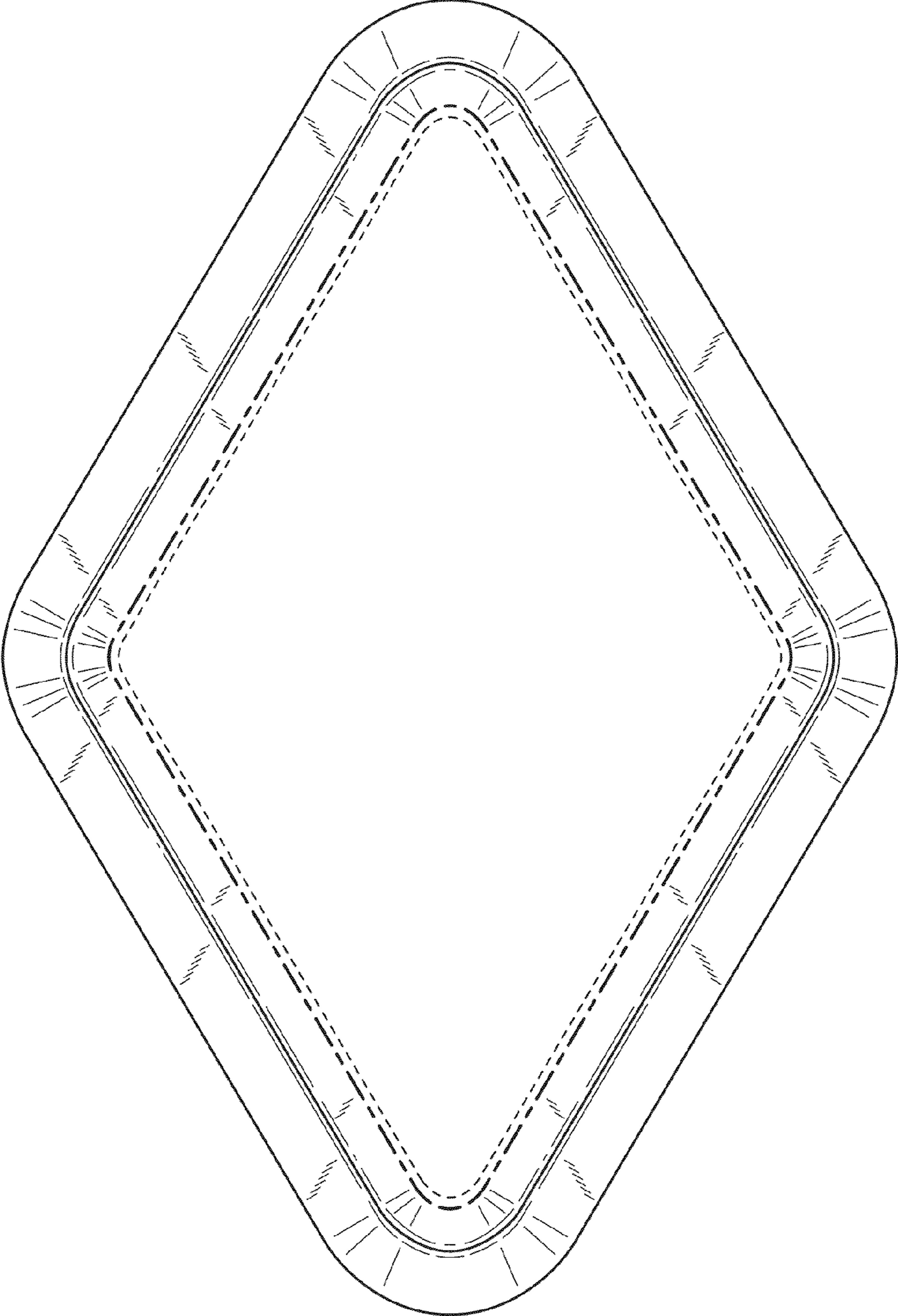


FIG. 5

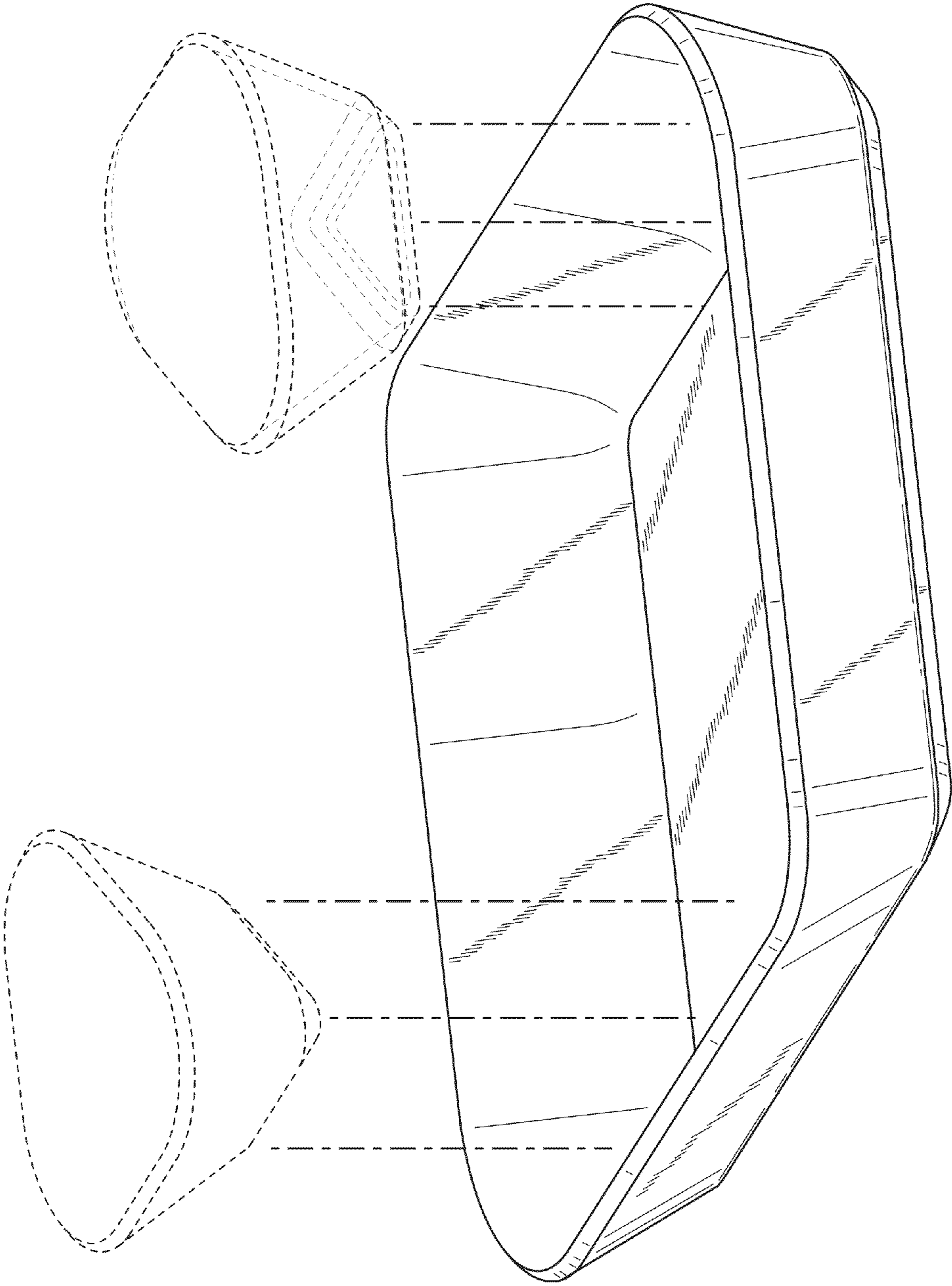


FIG. 6

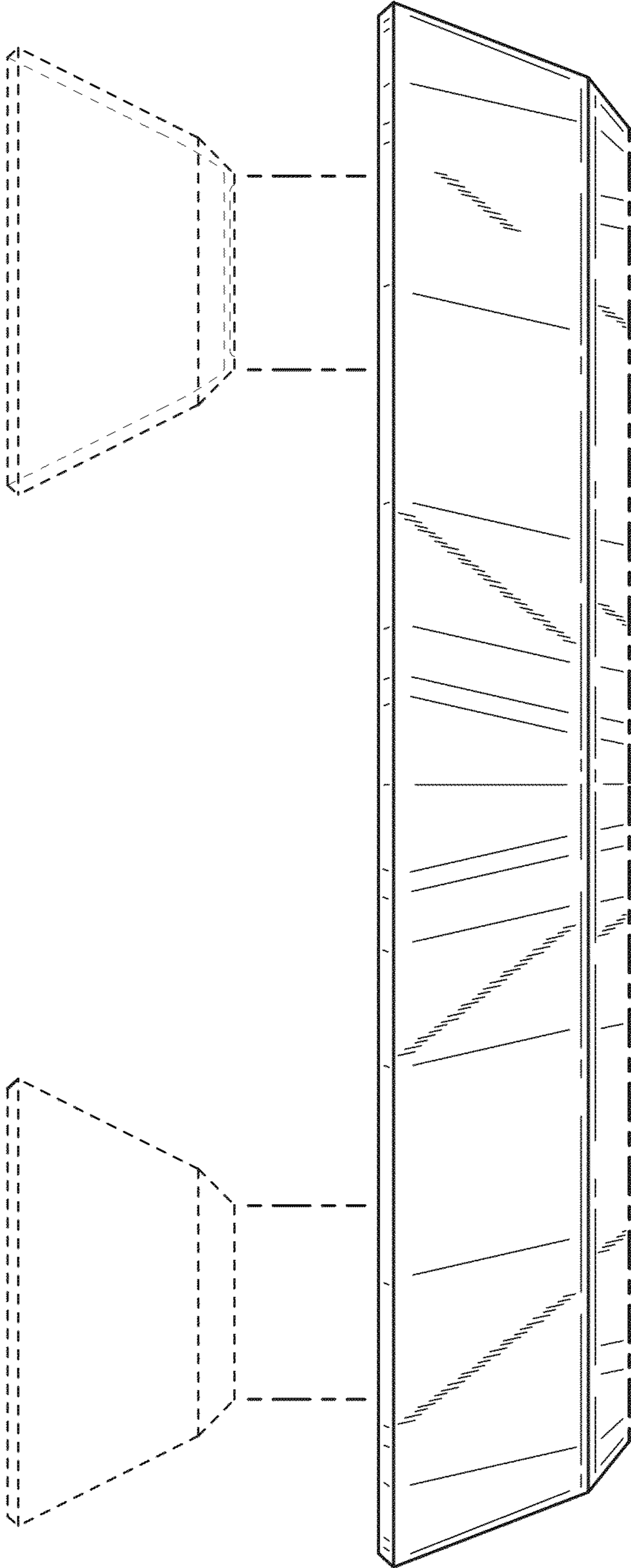


FIG. 7

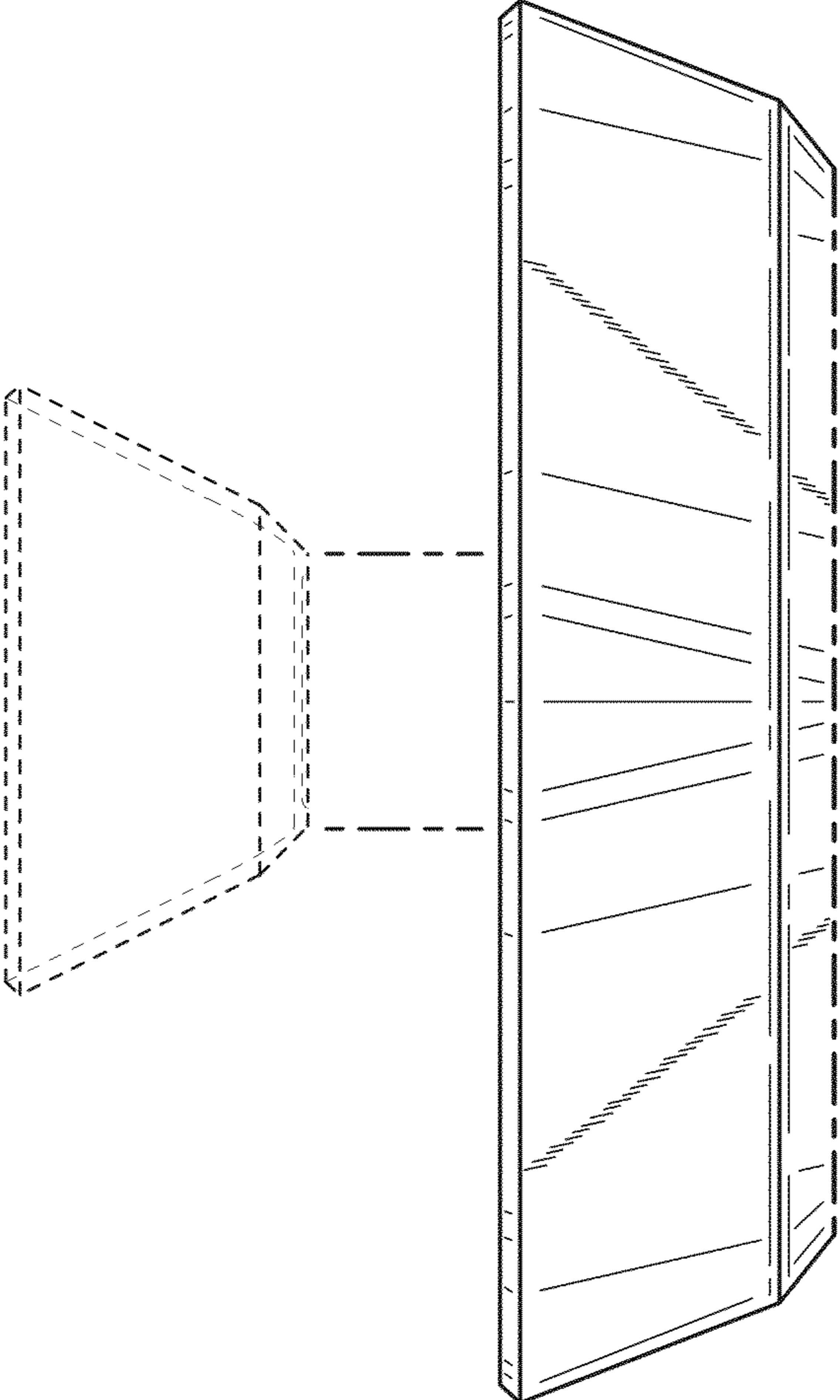


FIG. 8

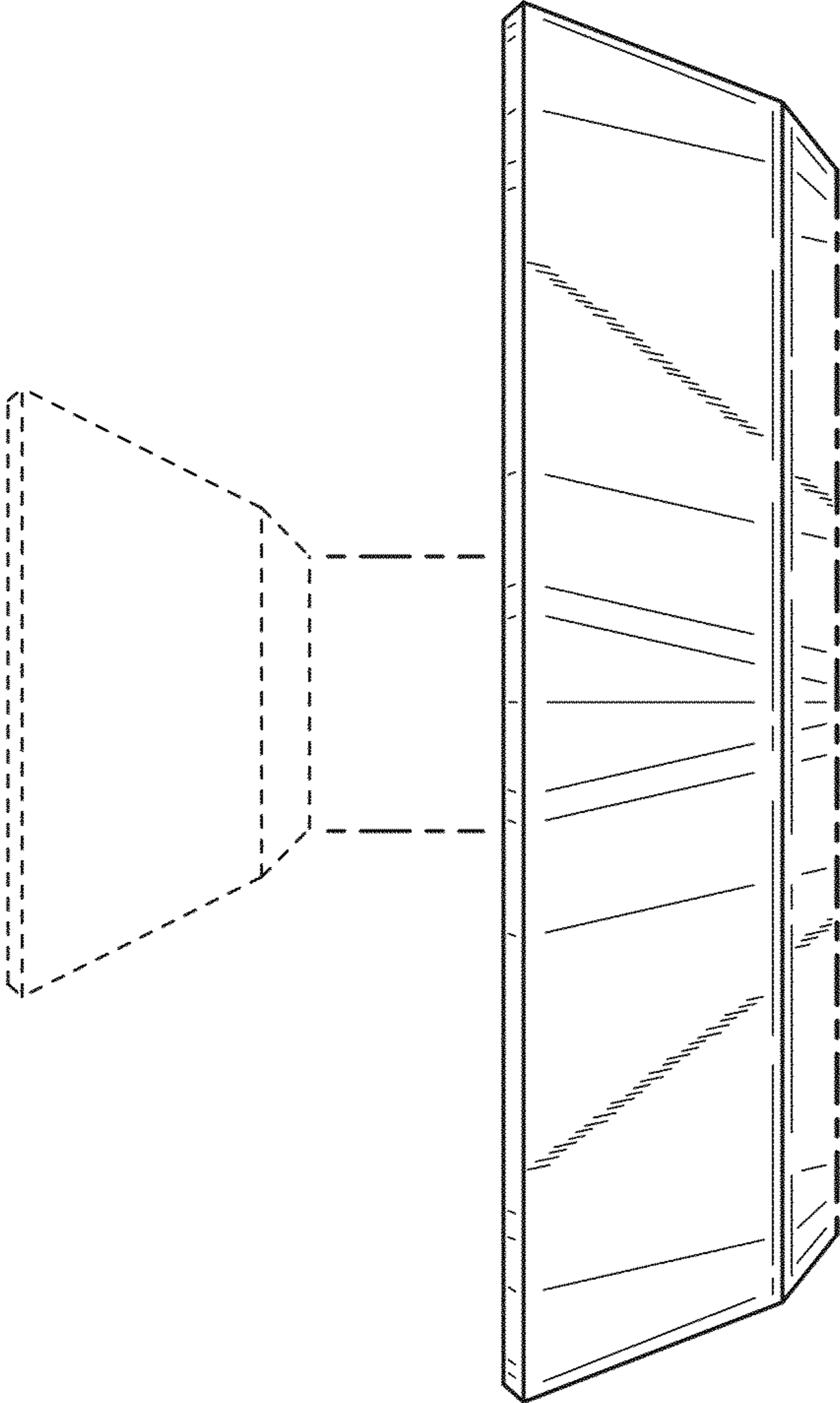


FIG. 9

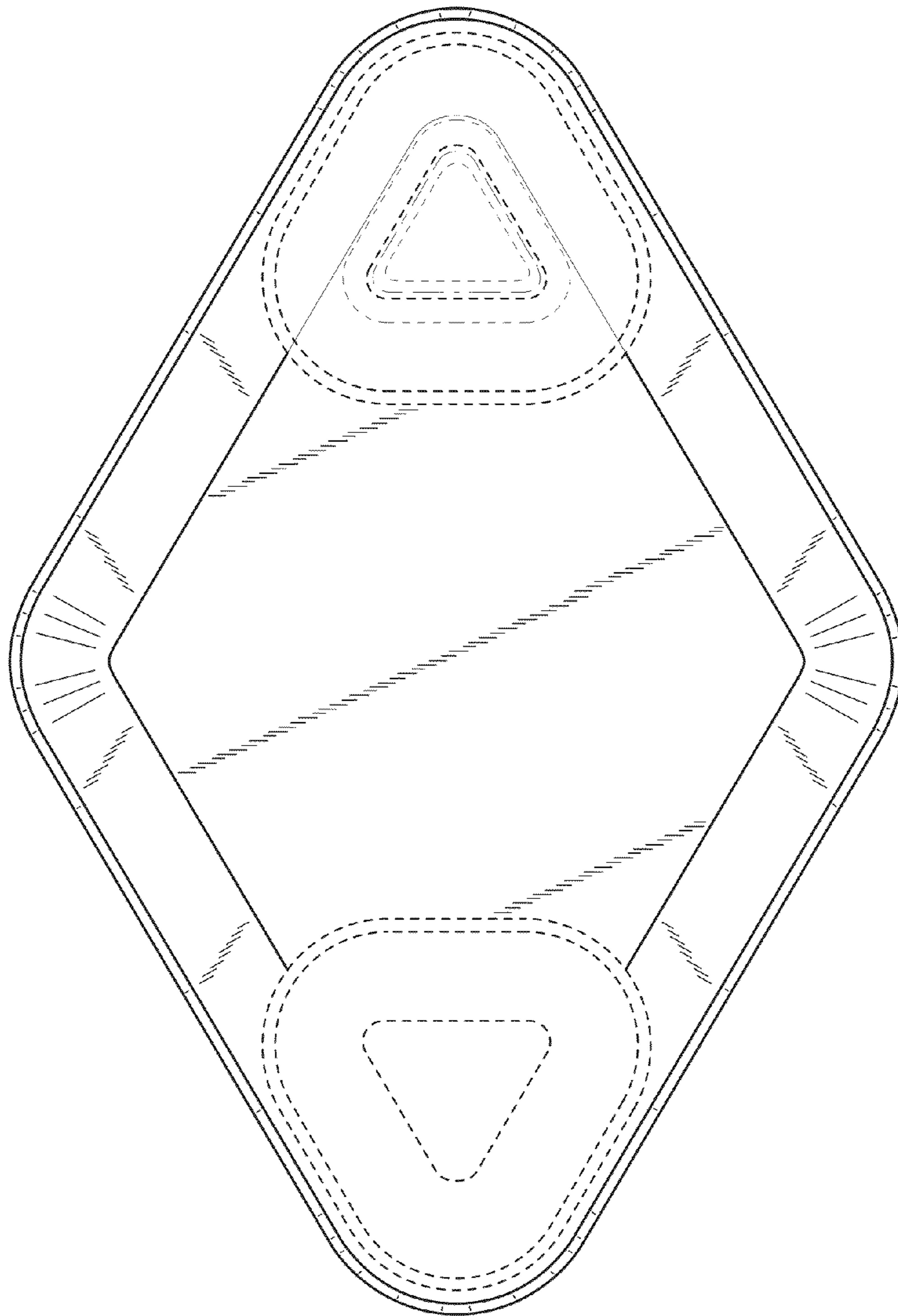


FIG. 10

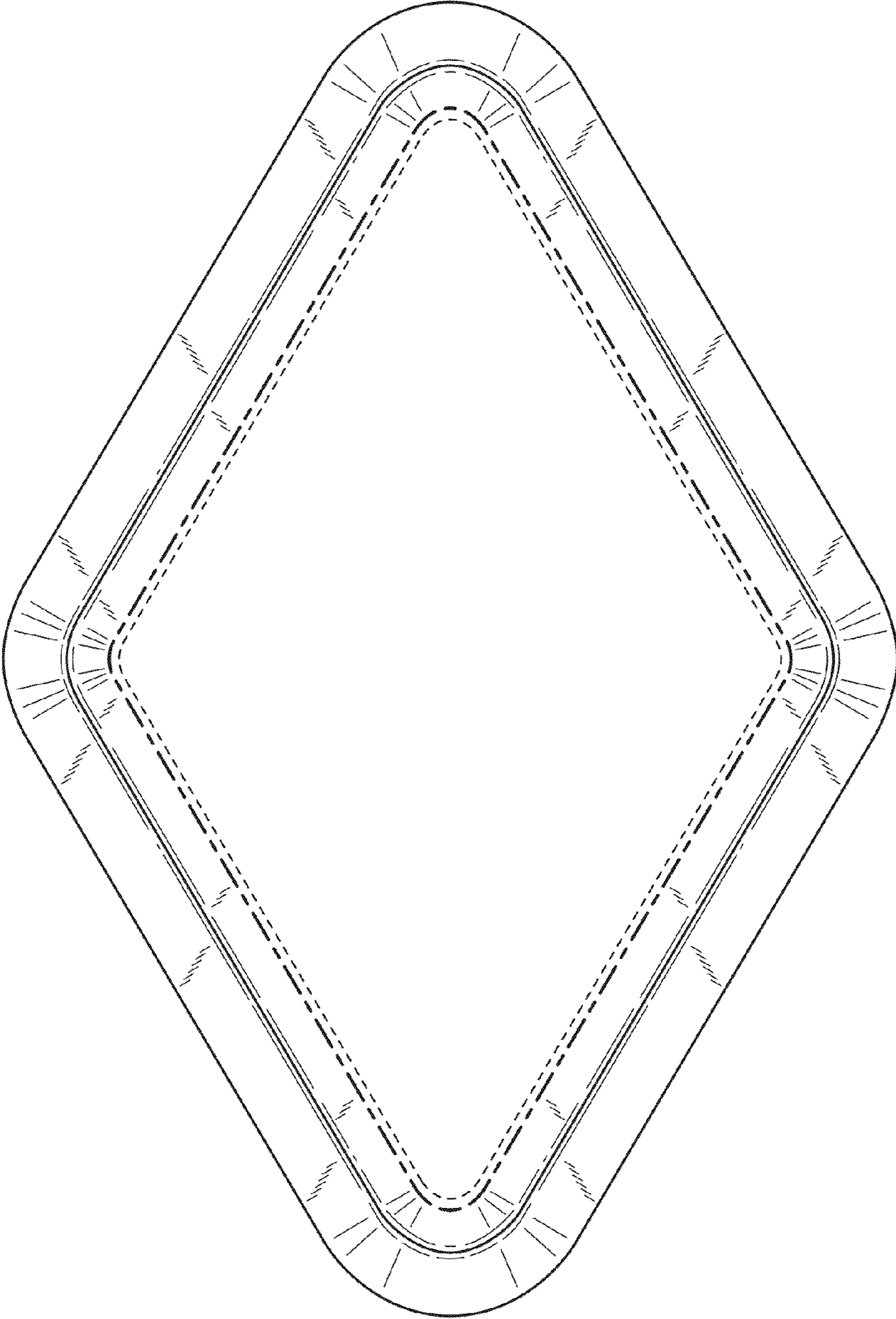


FIG. 11