



US00D718979S

(12) **United States Design Patent**  
**Faller et al.**

(10) **Patent No.:** **US D718,979 S**

(45) **Date of Patent:** **\*\* Dec. 9, 2014**

(54) **OVEN HOOD**

(75) Inventors: **Andrew C. Faller**, Smiths Grove, KY  
(US); **Derek W. Schrock**, Bowling  
Green, KY (US)

(73) Assignee: **Oy Halton Group Ltd.**, Helsinki (FI)

(\*\*) Term: **14 Years**

(21) Appl. No.: **29/416,004**

(22) Filed: **Mar. 16, 2012**

(51) **LOC (10) Cl.** ..... **07-02**

(52) **U.S. Cl.**  
USPC ..... **D7/402**

(58) **Field of Classification Search**  
USPC ..... D7/339, 347, 348, 402-407, 354, 323;  
D23/370-372, 386, 387; 126/19 R,  
126/21 A, 21 R, 273 R, 275 R, 299 R, 299 D;  
219/757; 55/442-444, 501  
See application file for complete search history.

(56) **References Cited**

**U.S. PATENT DOCUMENTS**

D231,615 S *	5/1974	Nygaard	.....	D23/372
D309,659 S *	7/1990	Welsh	.....	D23/387
D335,420 S *	5/1993	Moore	.....	D7/347
D380,823 S *	7/1997	LaZar	.....	D7/406
D450,829 S *	11/2001	Bothe et al.	.....	D23/372
D471,268 S *	3/2003	Segers	.....	D23/372
D488,215 S *	4/2004	Roberts et al.	.....	D23/373
D618,330 S *	6/2010	Wolfe	.....	D23/372
7,823,580 B2 *	11/2010	Sinur et al.	.....	126/299 R

D638,253 S *	5/2011	Tomczyk et al.	.....	D7/354
2005/0189349 A1 *	9/2005	Rew et al.	.....	219/757
2007/0102418 A1 *	5/2007	Swank et al.	.....	219/400

\* cited by examiner

*Primary Examiner* — T. Chase Nelson

*Assistant Examiner* — Mark Cavanna

(74) *Attorney, Agent, or Firm* — Miles & Stockbridge P.C.;  
Mark A. Catan

(57) **CLAIM**

The ornamental design for an oven hood, as shown and described.

**DESCRIPTION**

FIG. 1 is a perspective view of the oven hood in accordance with the invention, the broken lines showing a continuous feed oven with front-opening doors being for illustrative purposes only and forming no part of the claimed design.

FIG. 2 is a front elevation view thereof.

FIG. 3 is a back elevation view thereof.

FIG. 4 is a left side elevation view thereof.

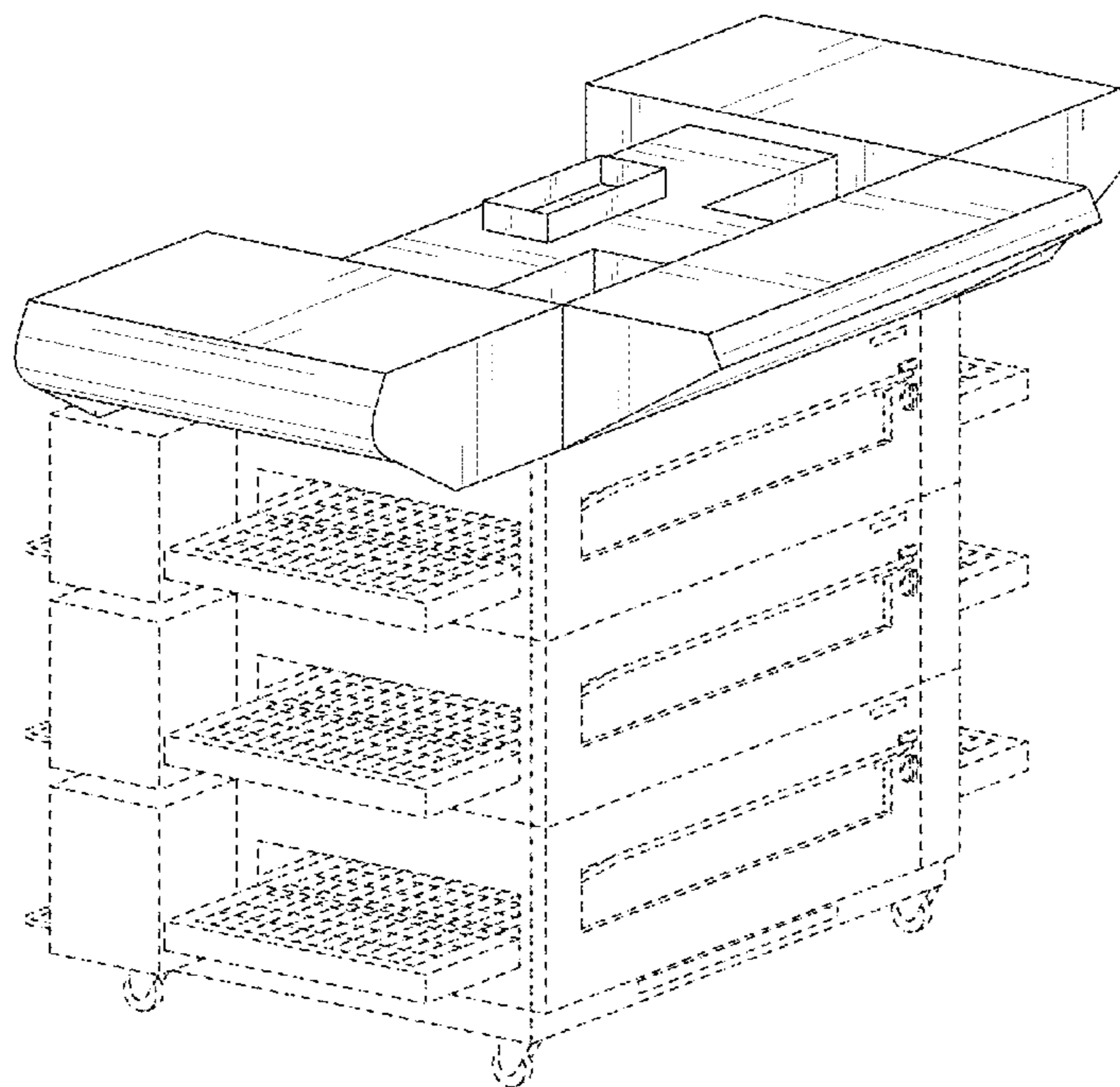
FIG. 5 is a right side elevation view thereof.

FIG. 6 is a top plan view thereof; and,

FIG. 7 is a bottom plan view thereof.

The broken lines are included for the purpose of illustrating unclaimed portions of the oven hood and form no part of the claimed design.

**1 Claim, 7 Drawing Sheets**



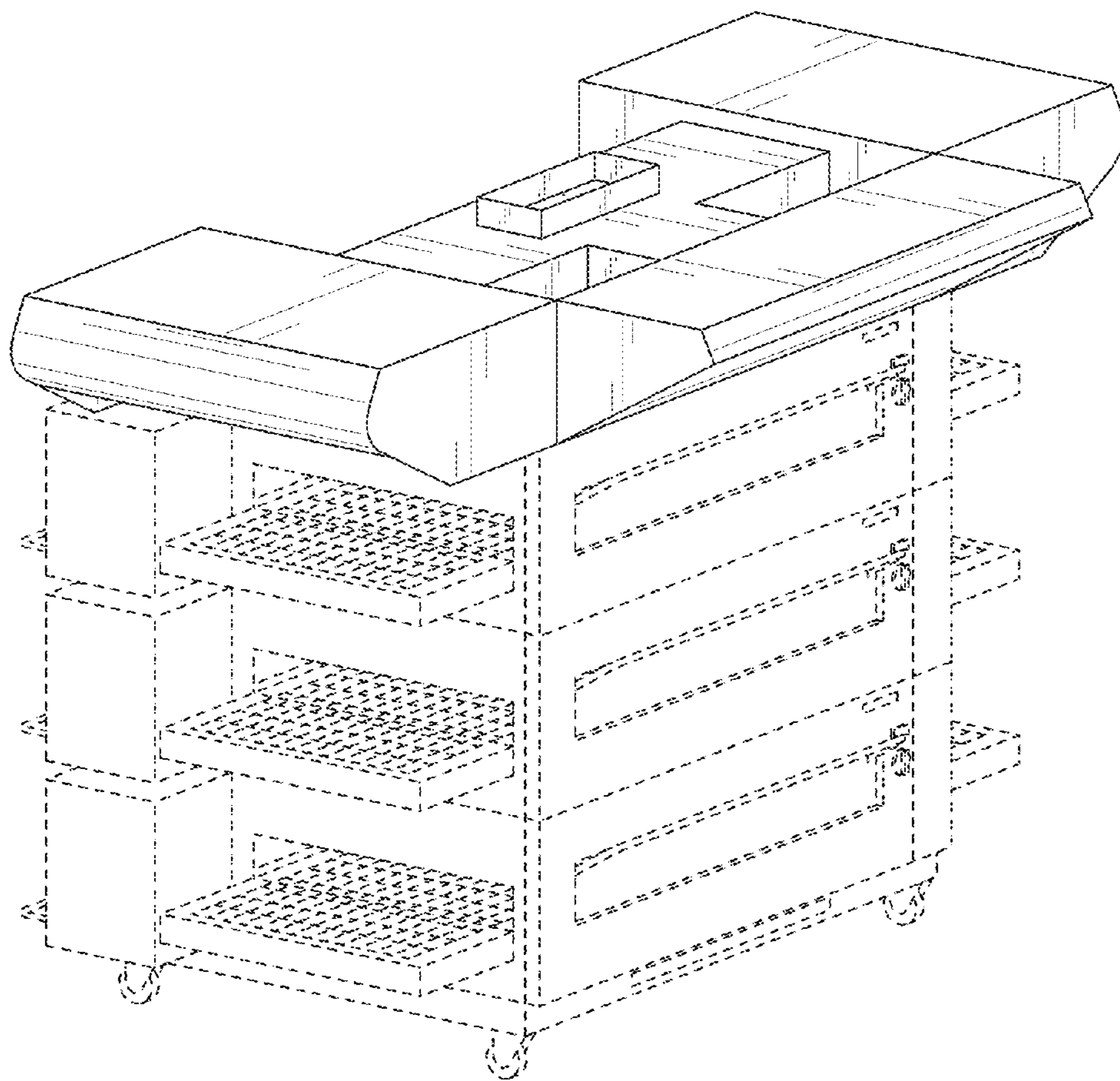


FIG. 1

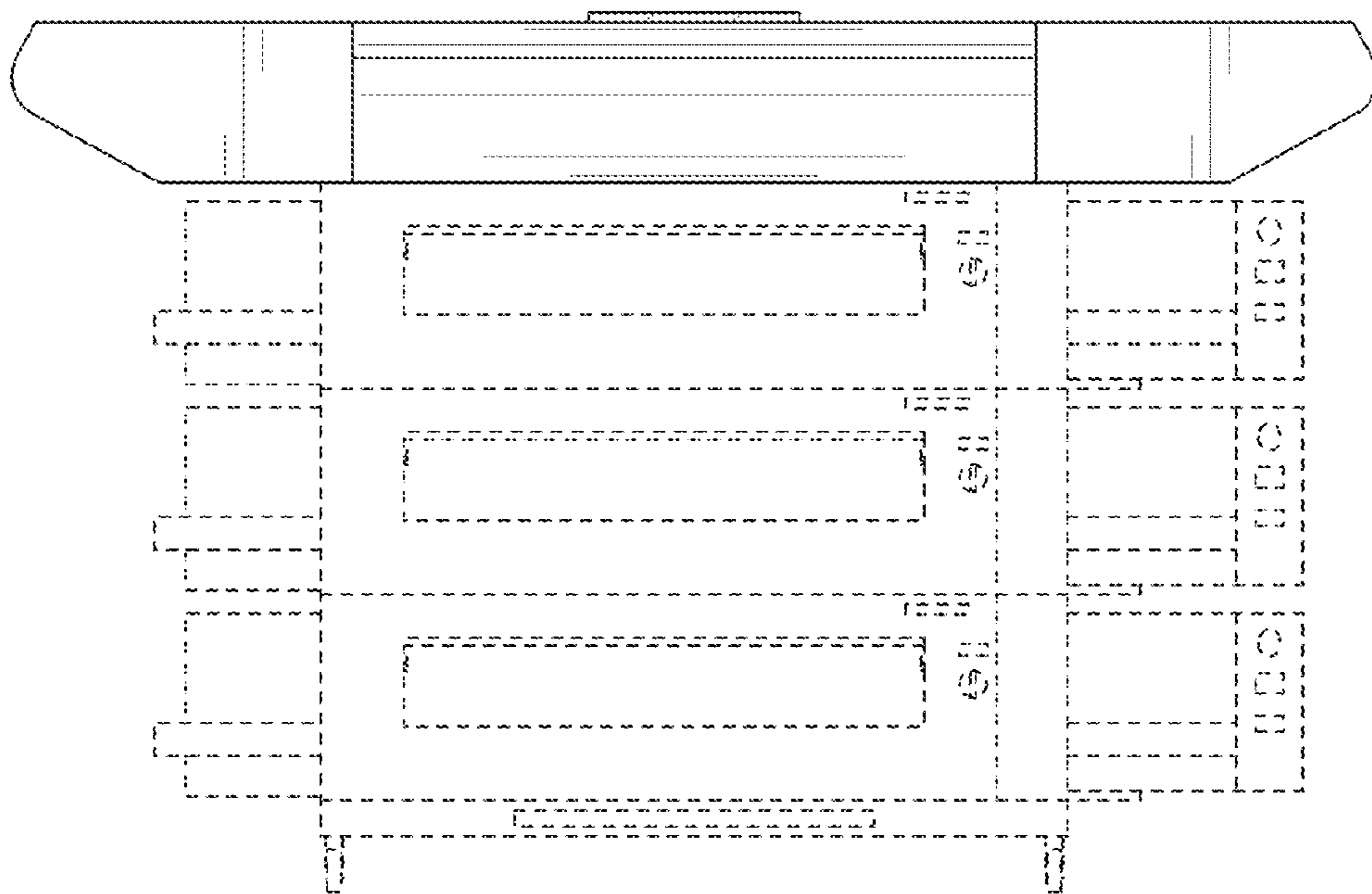


FIG. 2

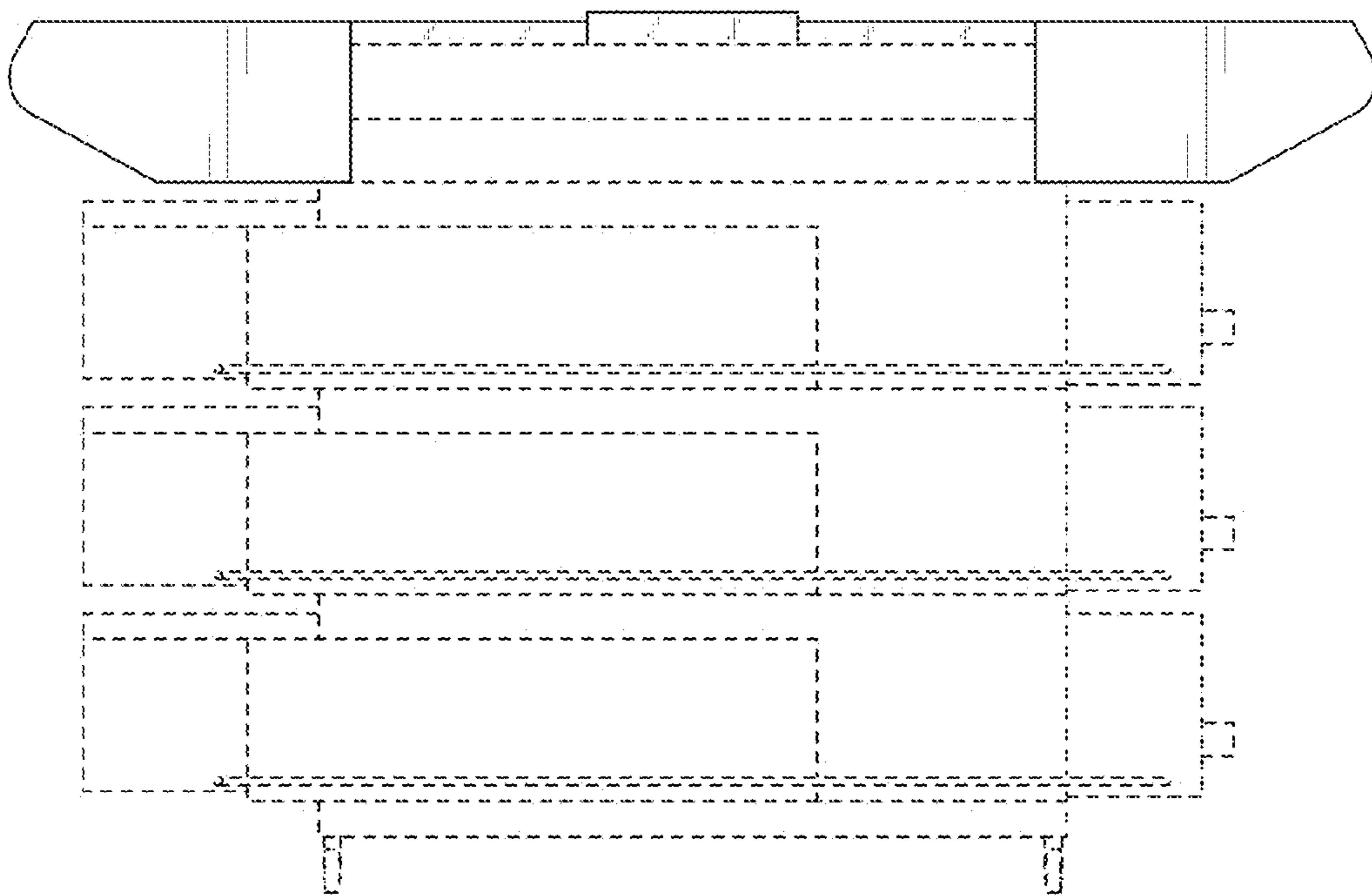


FIG. 3

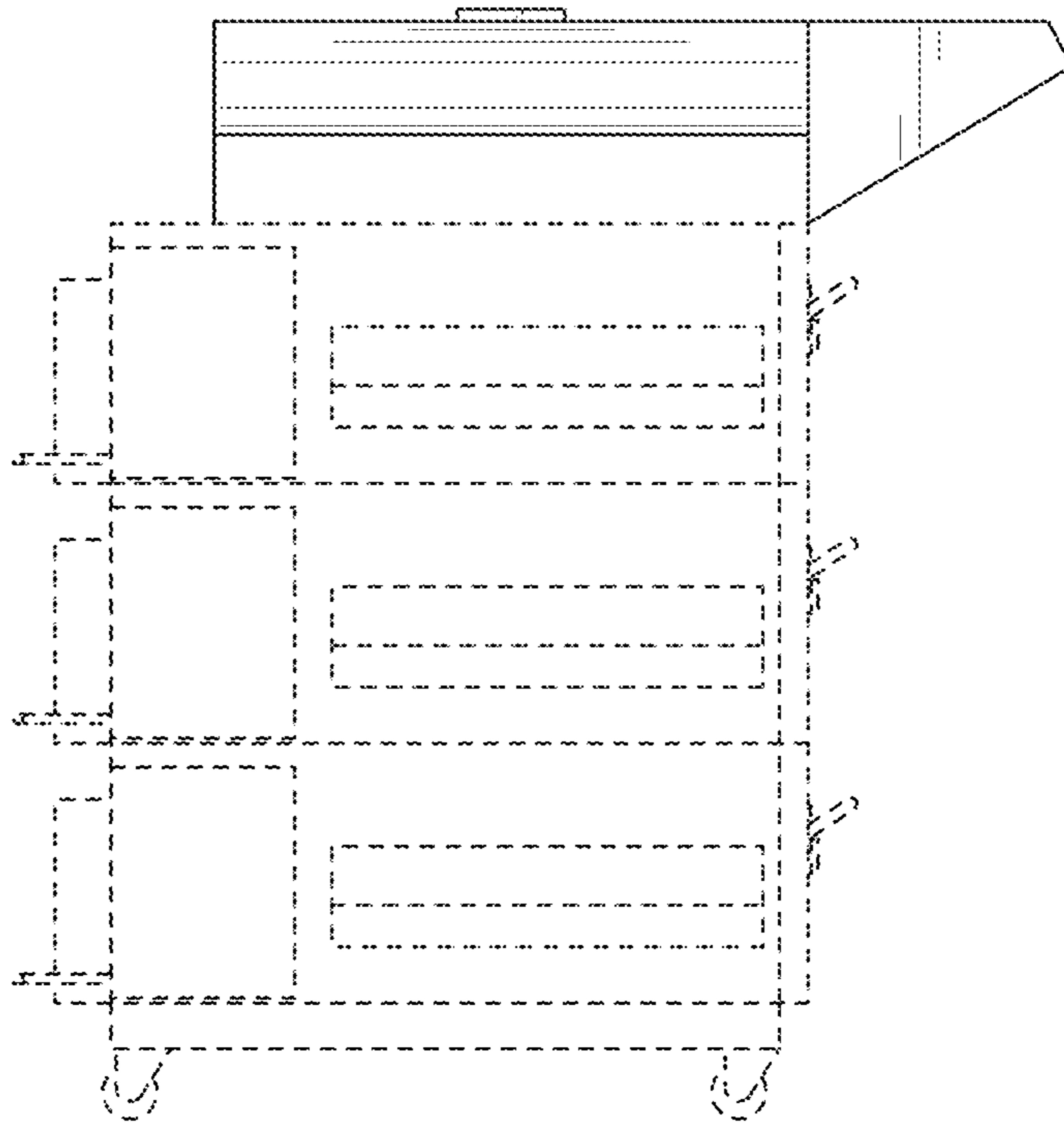


FIG. 4

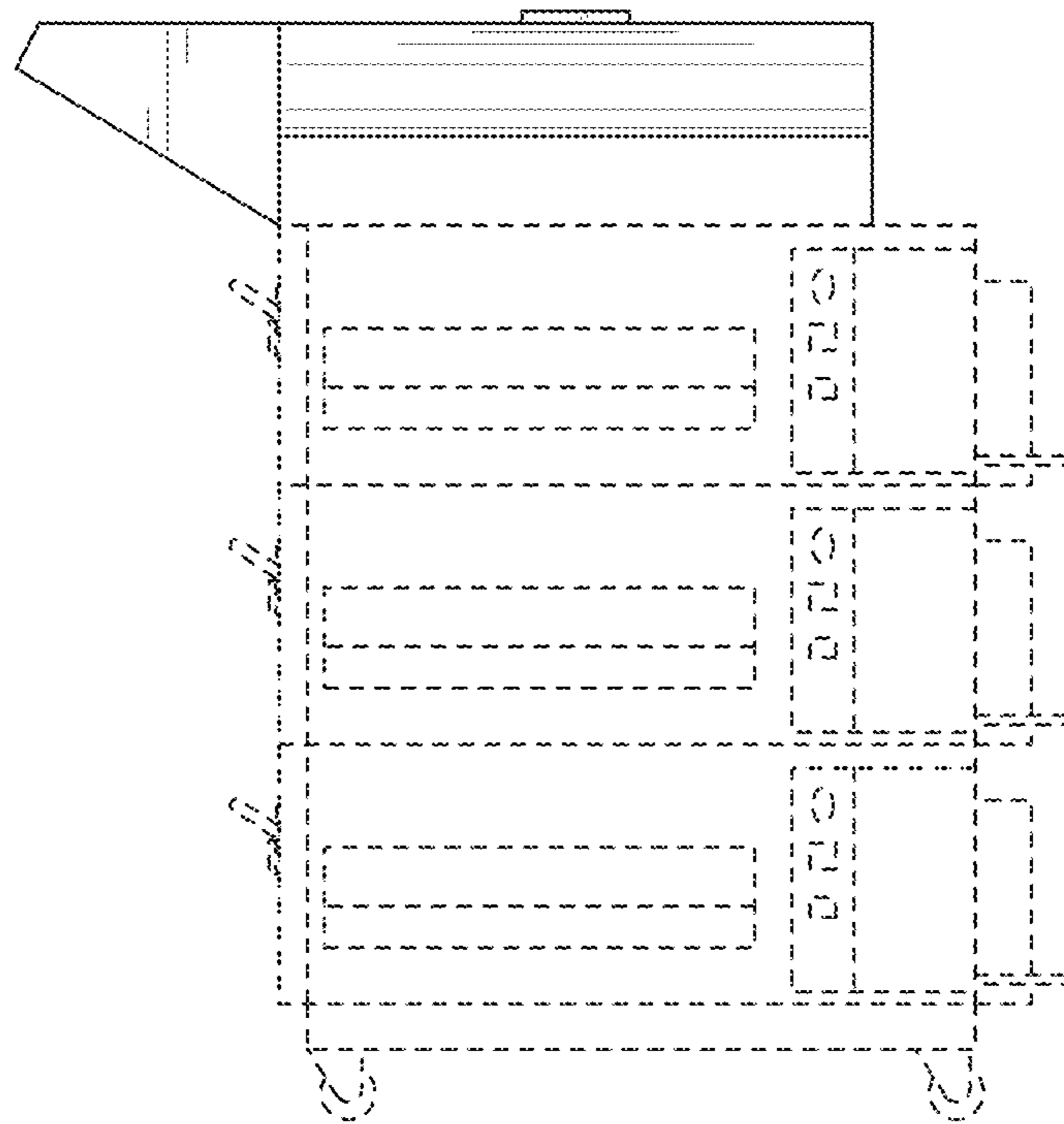


FIG. 5

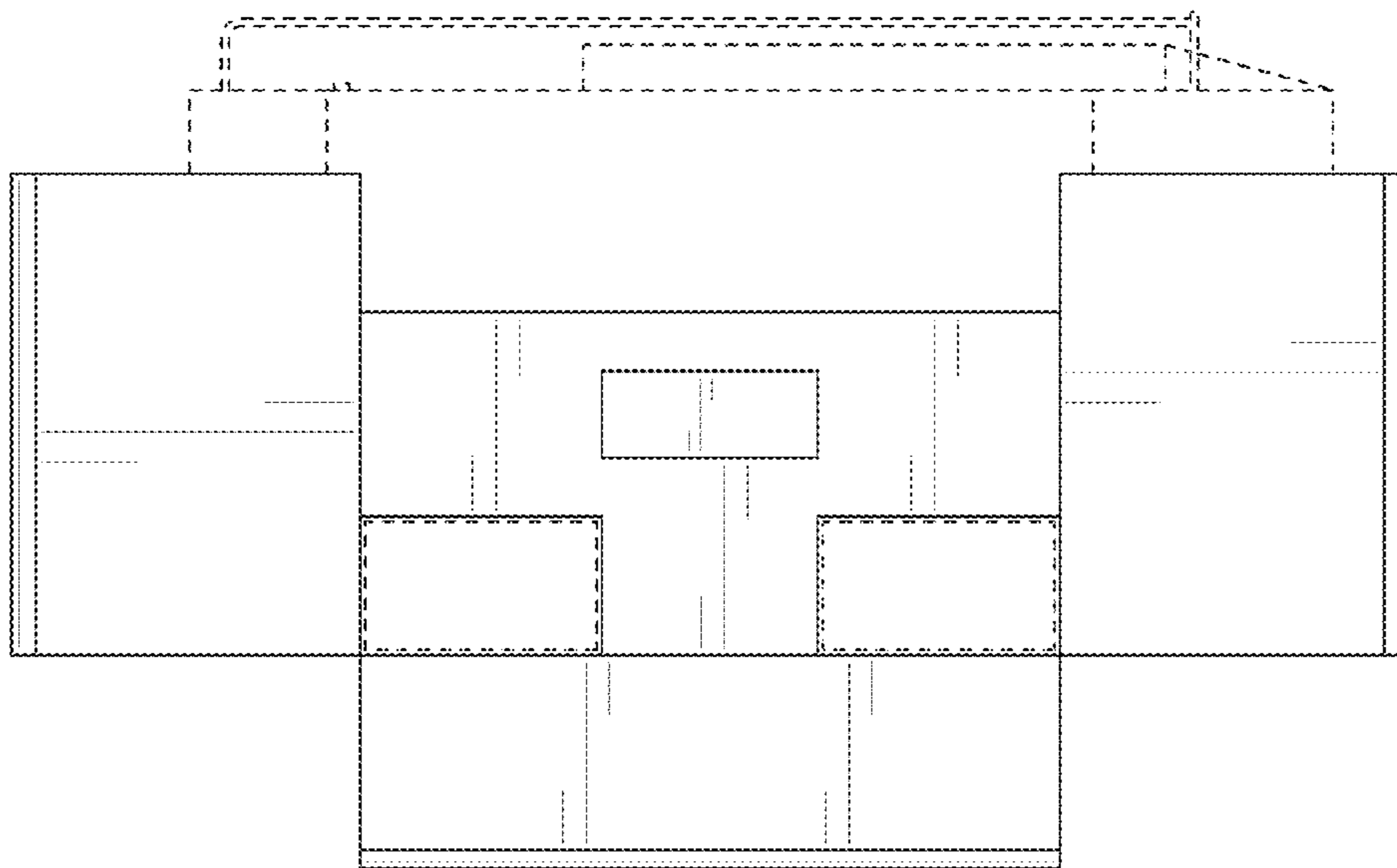


FIG. 6

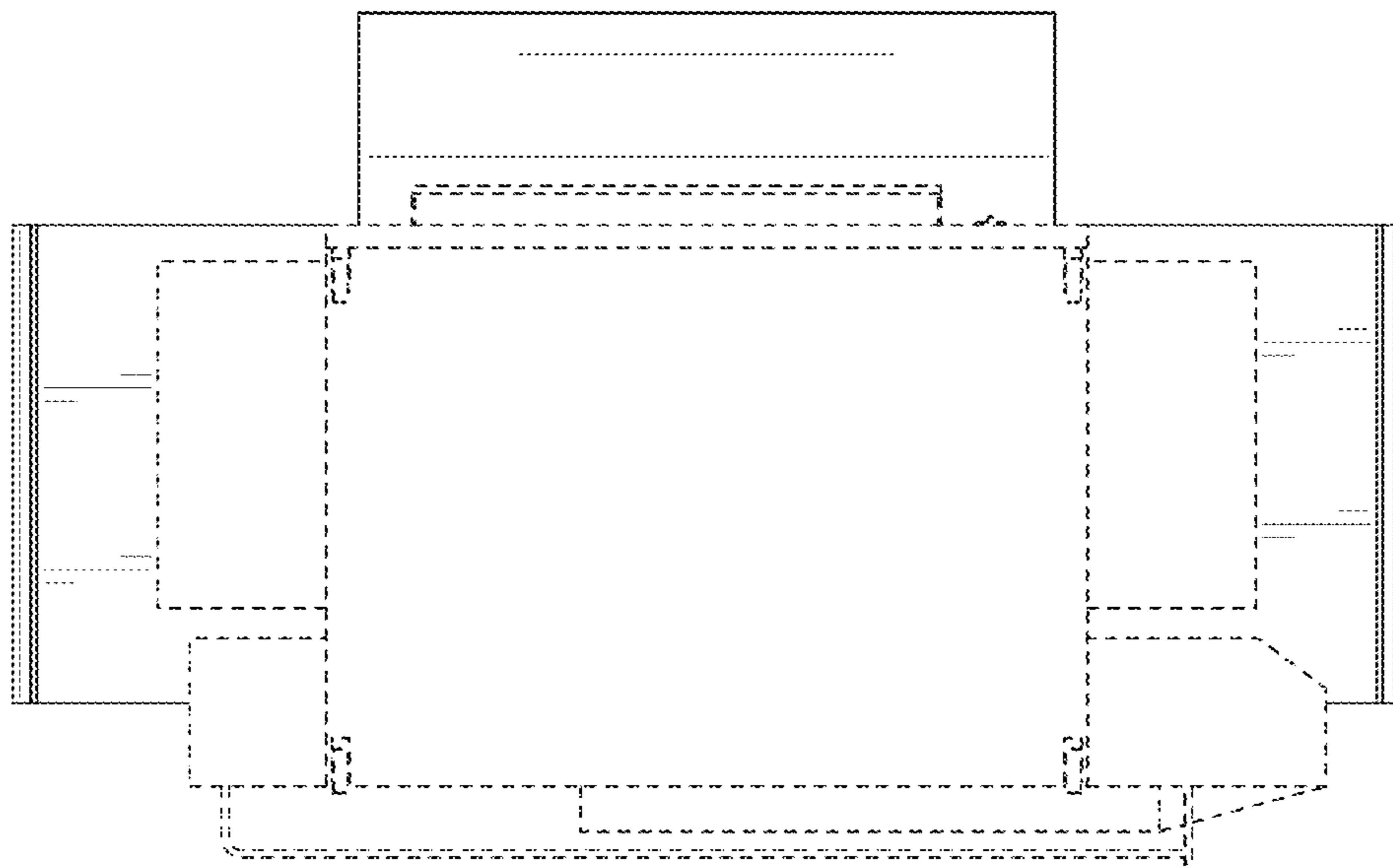


FIG. 7