



US00D718977S

(12) **United States Design Patent**
Miller

(10) **Patent No.:** **US D718,977 S**
(45) **Date of Patent:** **** Dec. 9, 2014**

(54) **GRILL**
(71) Applicant: **Spectrum Brands, Inc.**, Middleton, WI (US)
(72) Inventor: **Randy Scott Miller**, DeForest, WI (US)
(73) Assignee: **Spectrum Brands, Inc.**, Middleton, WI (US)
(**) Term: **14 Years**
(21) Appl. No.: **29/483,571**

(22) Filed: **Feb. 28, 2014**
(51) **LOC (10) Cl.** **07-02**
(52) **U.S. Cl.**
USPC **D7/352**
(58) **Field of Classification Search**
CPC A21B 5/023; A47J 27/60; A47J 27/62;
A47J 37/04; A47J 37/06; A47J 37/067;
A47J 37/0605; A47J 37/0611; A47J 37/0623;
A47J 37/0629; A47J 37/0676; A47J 2037/06;
A47J 2037/0611; F24C 15/10; F24C 15/102;
H05B 6/02; H05B 6/062
USPC D7/323, 328-330, 337, 347, 352-364,
D7/402, 409-411; 99/324-326, 331, 339,
99/349, 357, 372-379, 444-446; 219/386,
219/450.1, 472, 524-525, 620-622,
219/732-734
See application file for complete search history.

(56) **References Cited**
U.S. PATENT DOCUMENTS

D413,760 S *	9/1999	Tsai et al.	D7/352
D446,074 S *	8/2001	Barker	D7/352
D462,228 S *	9/2002	Wu	D7/352
D462,229 S *	9/2002	Wu	D7/352
D462,566 S *	9/2002	Wu	D7/352
D463,950 S *	10/2002	Wu	D7/352
D464,230 S *	10/2002	Wu	D7/352

D475,237 S *	6/2003	Lin	D7/352
D493,663 S *	8/2004	Lin et al.	D7/347
D494,407 S *	8/2004	Lin et al.	D7/347
D521,310 S *	5/2006	Lin	D7/352
D522,802 S *	6/2006	Dreimann et al.	D7/352
D526,154 S *	8/2006	Dreimann et al.	D7/352
D539,596 S *	4/2007	Dreimann et al.	D7/352
D539,597 S *	4/2007	Dreimann et al.	D7/352
D540,109 S *	4/2007	Dreimann et al.	D7/352
D541,580 S *	5/2007	Dreimann et al.	D7/352
D549,516 S *	8/2007	Since et al.	D7/352
D550,025 S *	9/2007	Chao	D7/352
D550,026 S *	9/2007	Chao	D7/352
D562,620 S *	2/2008	Li	D7/352
D575,577 S *	8/2008	Chao	D7/360

(Continued)

OTHER PUBLICATIONS

Color photos of selected George Foreman Grills, Applica Consumer Products, Inc; 14 color sheets; All designs made public prior to Jun. 7, 2011.

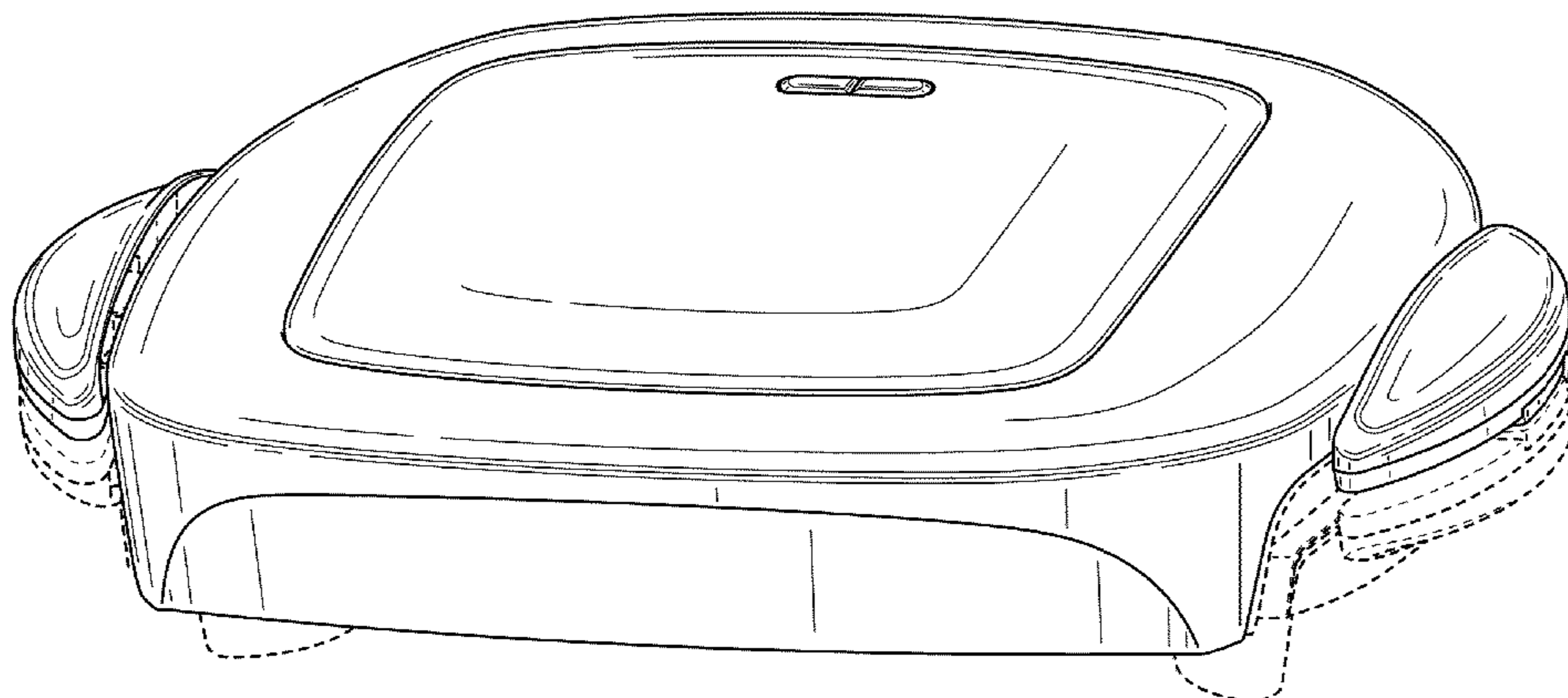
Primary Examiner — Ricky Pham
(74) *Attorney, Agent, or Firm* — Banner & Witcoff, Ltd.

(57) **CLAIM**
The ornamental design for a grill, as shown and described.

DESCRIPTION

FIG. 1 is a front perspective view of a grill showing my new design;
FIG. 2 is a top view thereof;
FIG. 3 is a bottom view thereof;
FIG. 4 is a front view thereof;
FIG. 5 is a rear view thereof;
FIG. 6 is a right side view thereof; and,
FIG. 7 is a left side view thereof.
The broken line showing of various elements of the grill is for environmental purposes only and forms no part of the claimed design.

1 Claim, 6 Drawing Sheets



(56)

References Cited

U.S. PATENT DOCUMENTS

D592,005 S * 5/2009 Richardson et al. D7/337
D594,695 S * 6/2009 Lin D7/360
D621,203 S * 8/2010 Huang D7/352
D638,260 S * 5/2011 Lin D7/402

D650,220 S 12/2011 Miller et al.
D650,221 S 12/2011 Miller et al.
D650,222 S 12/2011 Miller et al.
D650,223 S 12/2011 Miller et al.
D650,224 S 12/2011 Miller et al.

* cited by examiner

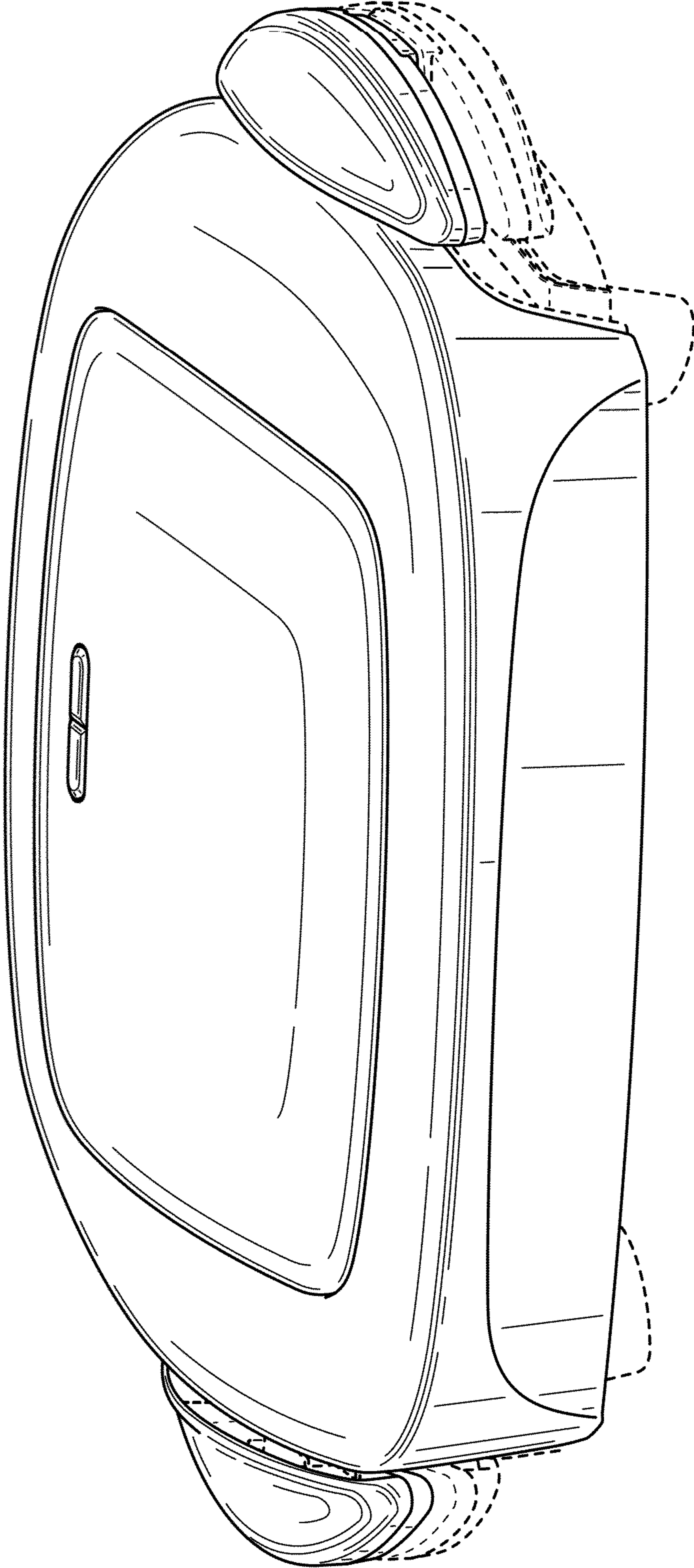


FIG. 1

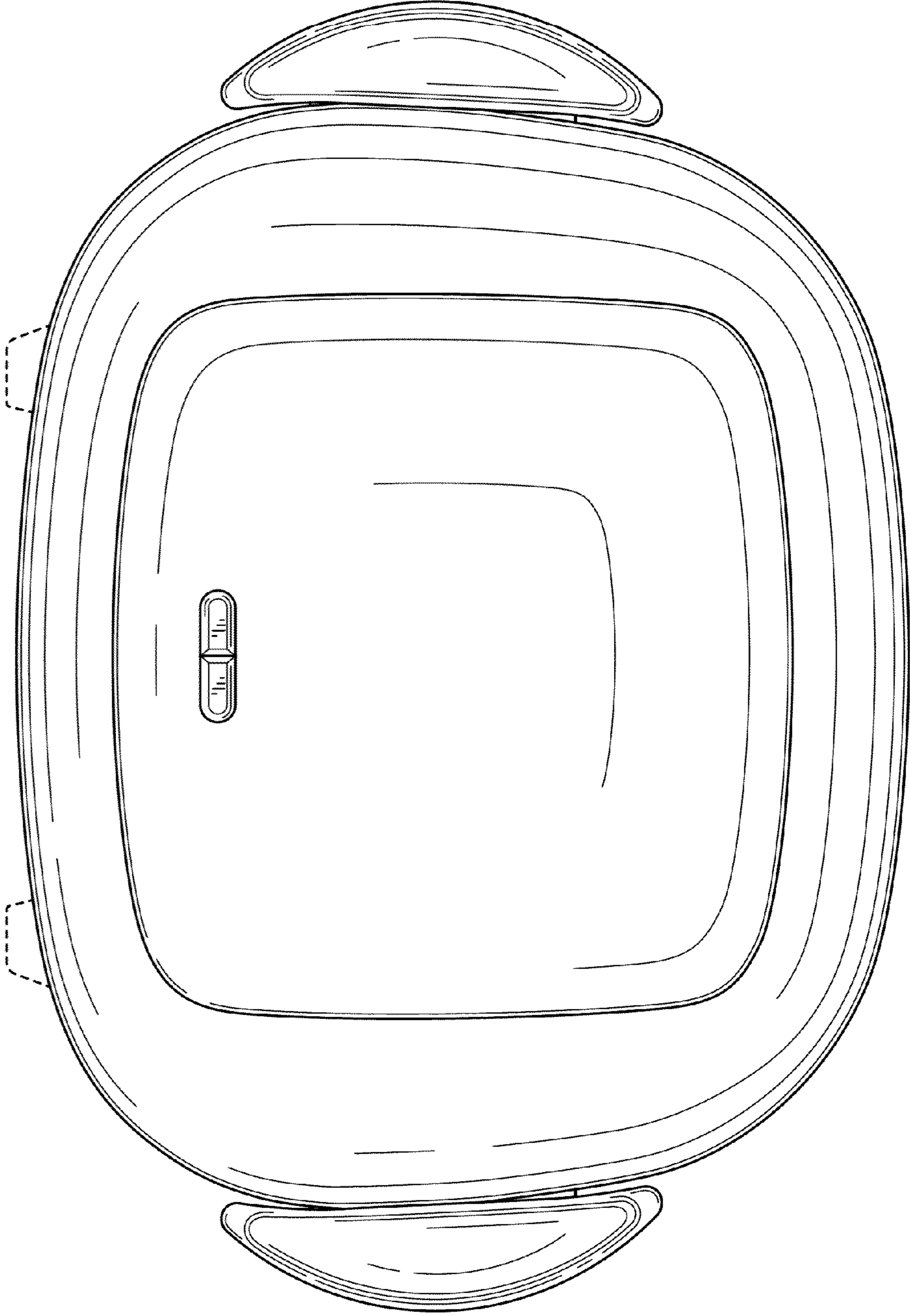


FIG. 2

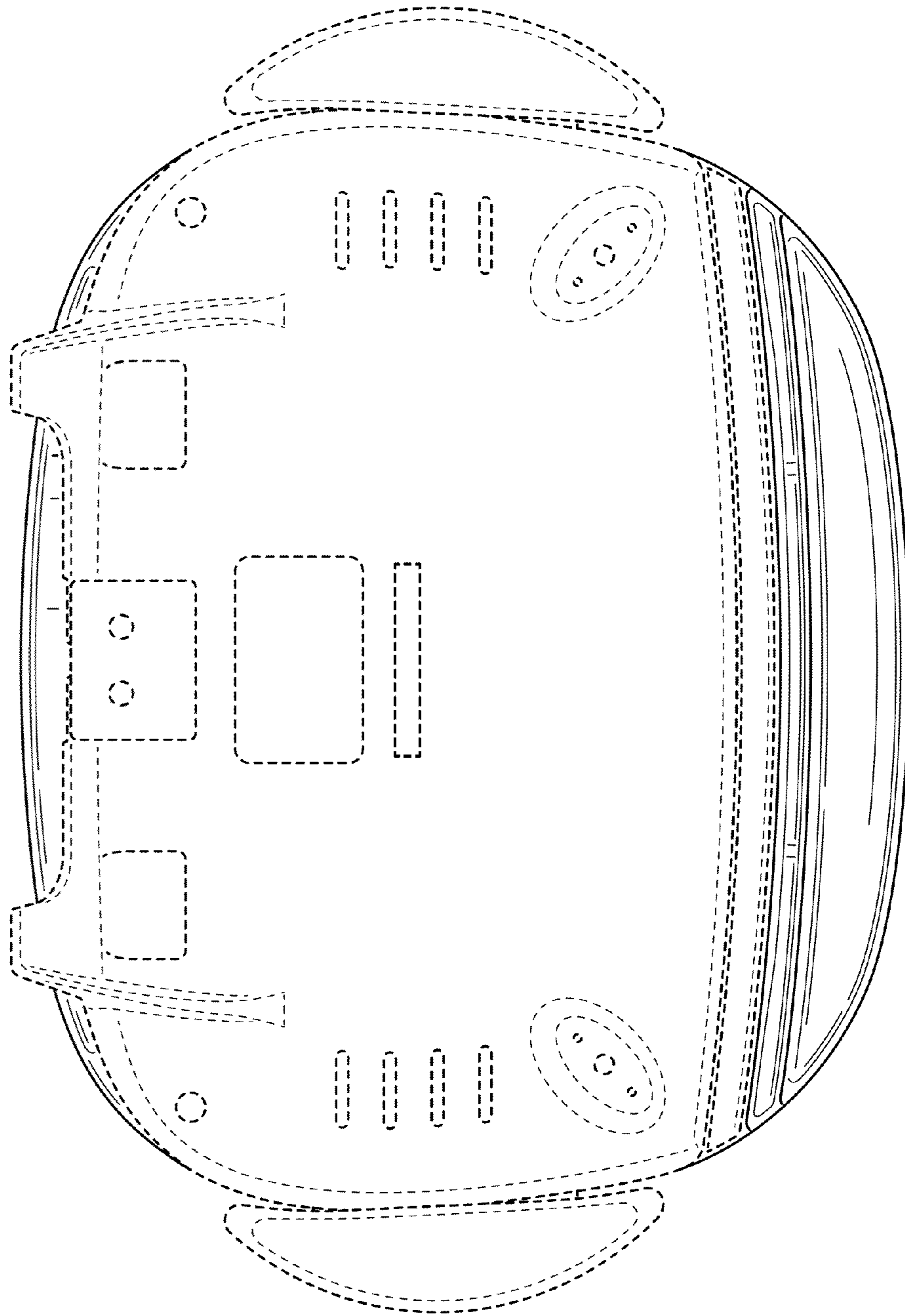


FIG. 3

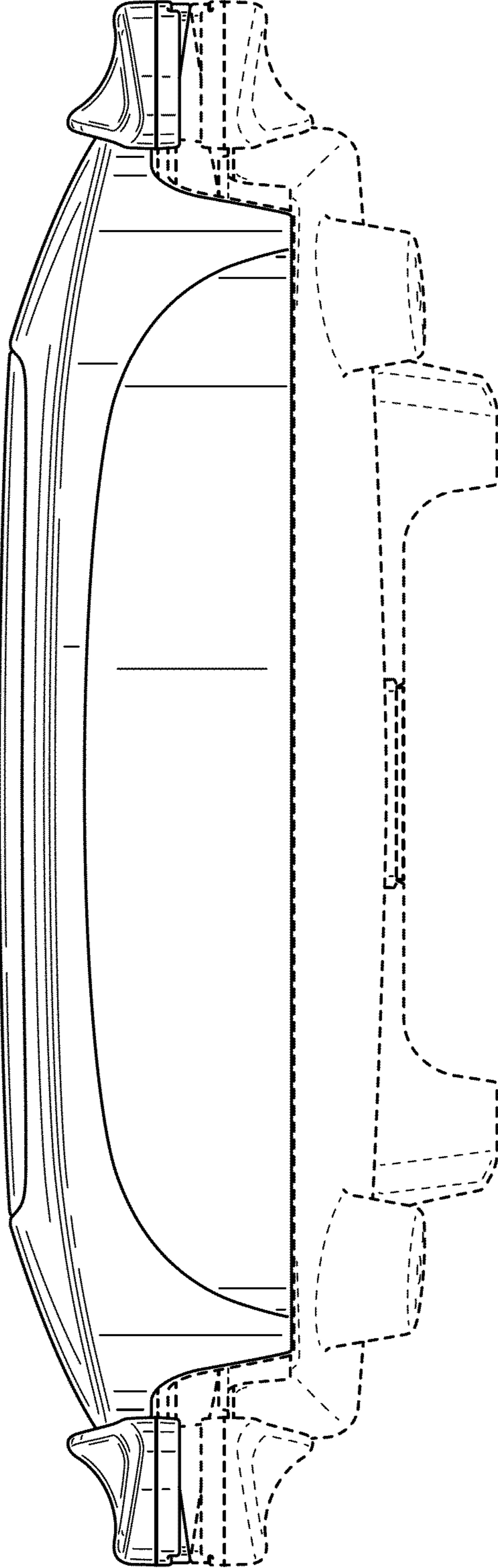


FIG. 4

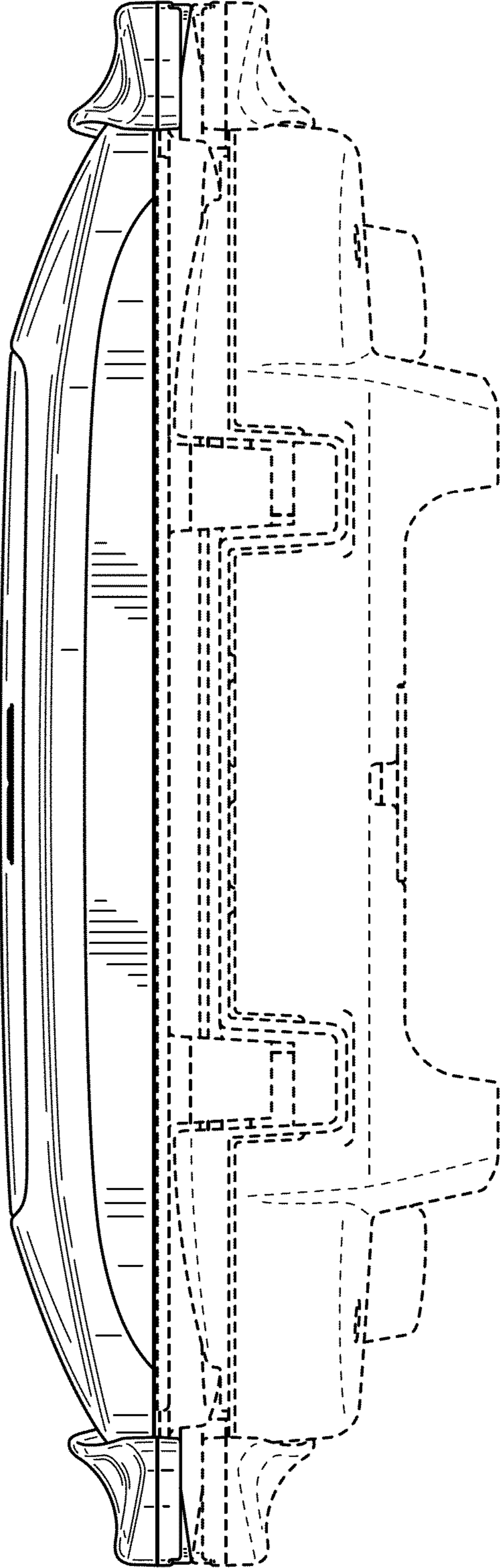


FIG. 5

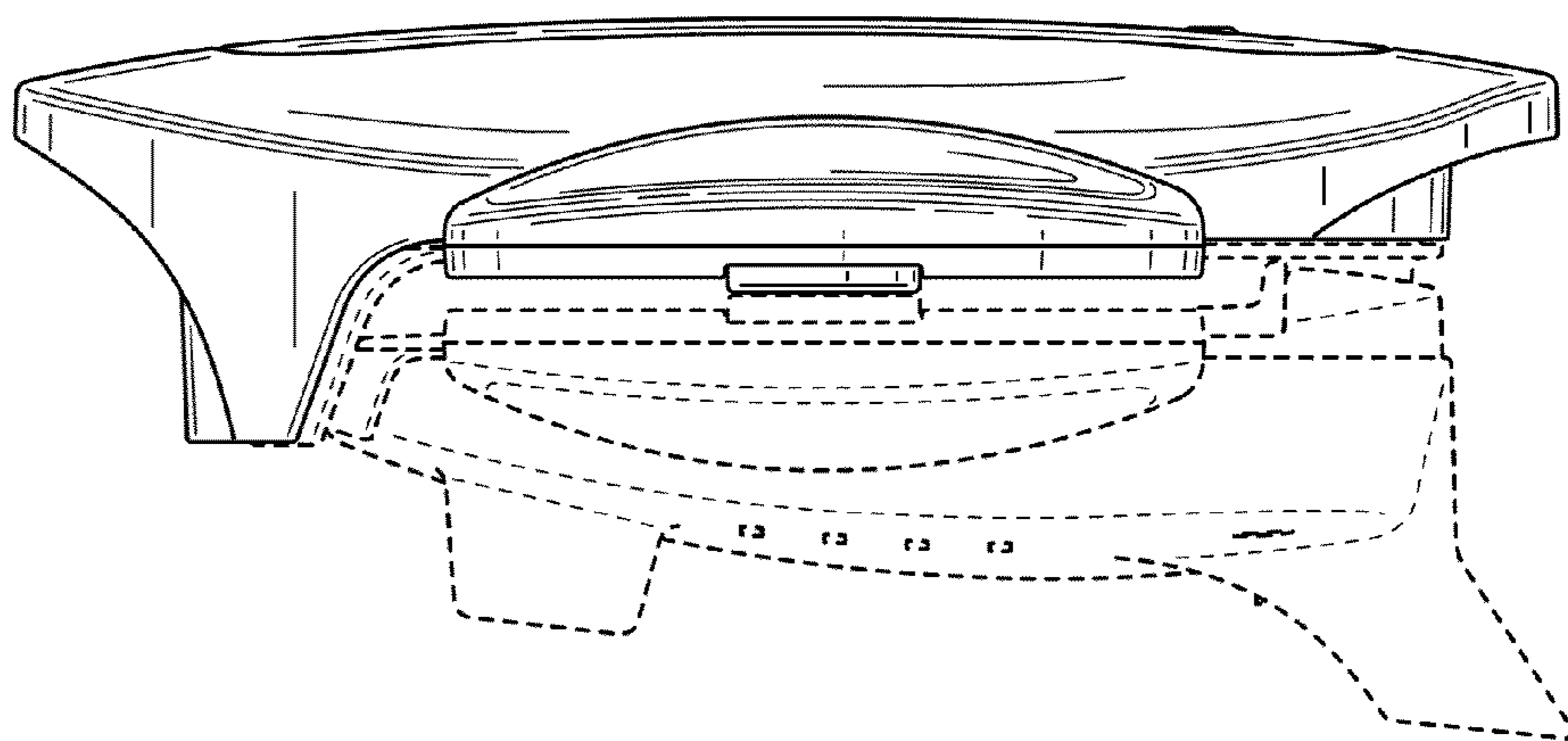


FIG. 6

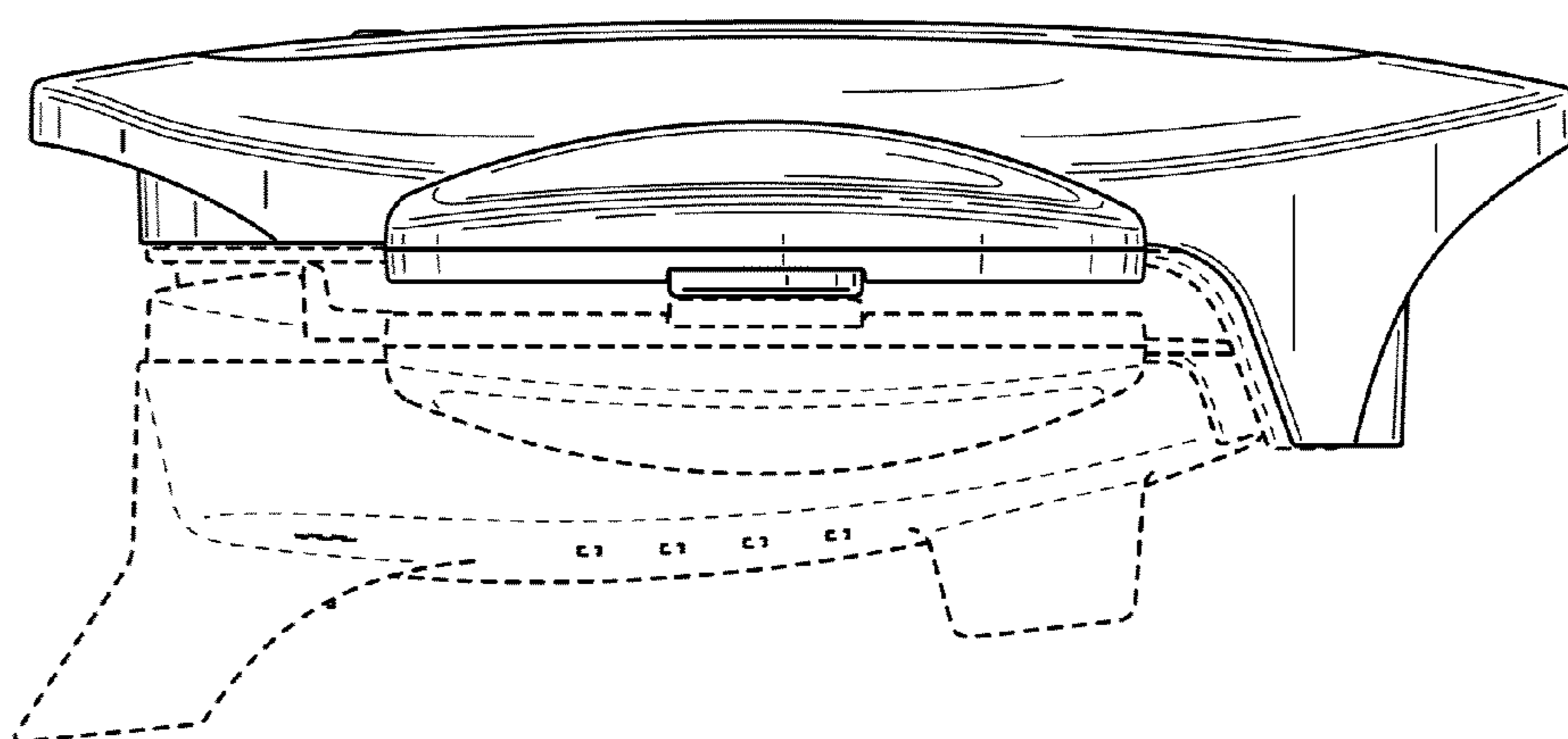


FIG. 7