



US00D718976S

(12) **United States Design Patent**  
**Miller**

(10) **Patent No.:** **US D718,976 S**  
(45) **Date of Patent:** **\*\* Dec. 9, 2014**

(54) **GRILL**  
(71) Applicant: **Spectrum Brands, Inc.**, Middleton, WI (US)  
(72) Inventor: **Randy Scott Miller**, DeForest, WI (US)  
(73) Assignee: **Spectrum Brands, Inc.**, Middleton, WI (US)  
(\*\*) Term: **14 Years**  
(21) Appl. No.: **29/483,566**

D475,237 S \* 6/2003 Lin ..... D7/352  
D493,663 S \* 8/2004 Lin et al. .... D7/347  
D494,407 S \* 8/2004 Lin et al. .... D7/347  
D521,310 S \* 5/2006 Lin ..... D7/352  
D522,802 S \* 6/2006 Dreimann et al. .... D7/352  
D526,154 S \* 8/2006 Dreimann et al. .... D7/352  
D539,596 S \* 4/2007 Dreimann et al. .... D7/352  
D539,597 S \* 4/2007 Dreimann et al. .... D7/352  
D540,109 S \* 4/2007 Dreimann et al. .... D7/352  
D541,580 S \* 5/2007 Dreimann et al. .... D7/352  
D549,516 S \* 8/2007 Since et al. .... D7/352  
D550,025 S \* 9/2007 Chao ..... D7/352  
D550,026 S \* 9/2007 Chao ..... D7/352  
D562,620 S \* 2/2008 Li ..... D7/352  
D575,577 S \* 8/2008 Chao ..... D7/360

(Continued)

(22) Filed: **Feb. 28, 2014**  
(51) **LOC (10) Cl.** ..... **07-02**  
(52) **U.S. Cl.**  
USPC ..... **D7/352**  
(58) **Field of Classification Search**  
CPC ..... A21B 5/023; A47J 27/60; A47J 27/62;  
A47J 37/04; A47J 37/06; A47J 37/067;  
A47J 37/0605; A47J 37/0611; A47J 37/0623;  
A47J 37/0629; A47J 37/0676; A47J 2037/06;  
A47J 2037/0611; F24C 15/10; F24C 15/102;  
H05B 6/02; H05B 6/062  
USPC ..... D7/323, 328-330, 337, 347, 352-364,  
D7/402, 409-411; 99/324-326, 331, 339,  
99/349, 357, 372-379, 444-446; 219/386,  
219/450.1, 472, 524-525, 620-622,  
219/732-734  
See application file for complete search history.

**OTHER PUBLICATIONS**

Color photos of selected George Foreman Grills, Applica Consumer Products, Inc; 14 color sheets; All designs made public prior to Jun. 7, 2011.

*Primary Examiner* — Ricky Pham  
(74) *Attorney, Agent, or Firm* — Banner & Witcoff, Ltd.

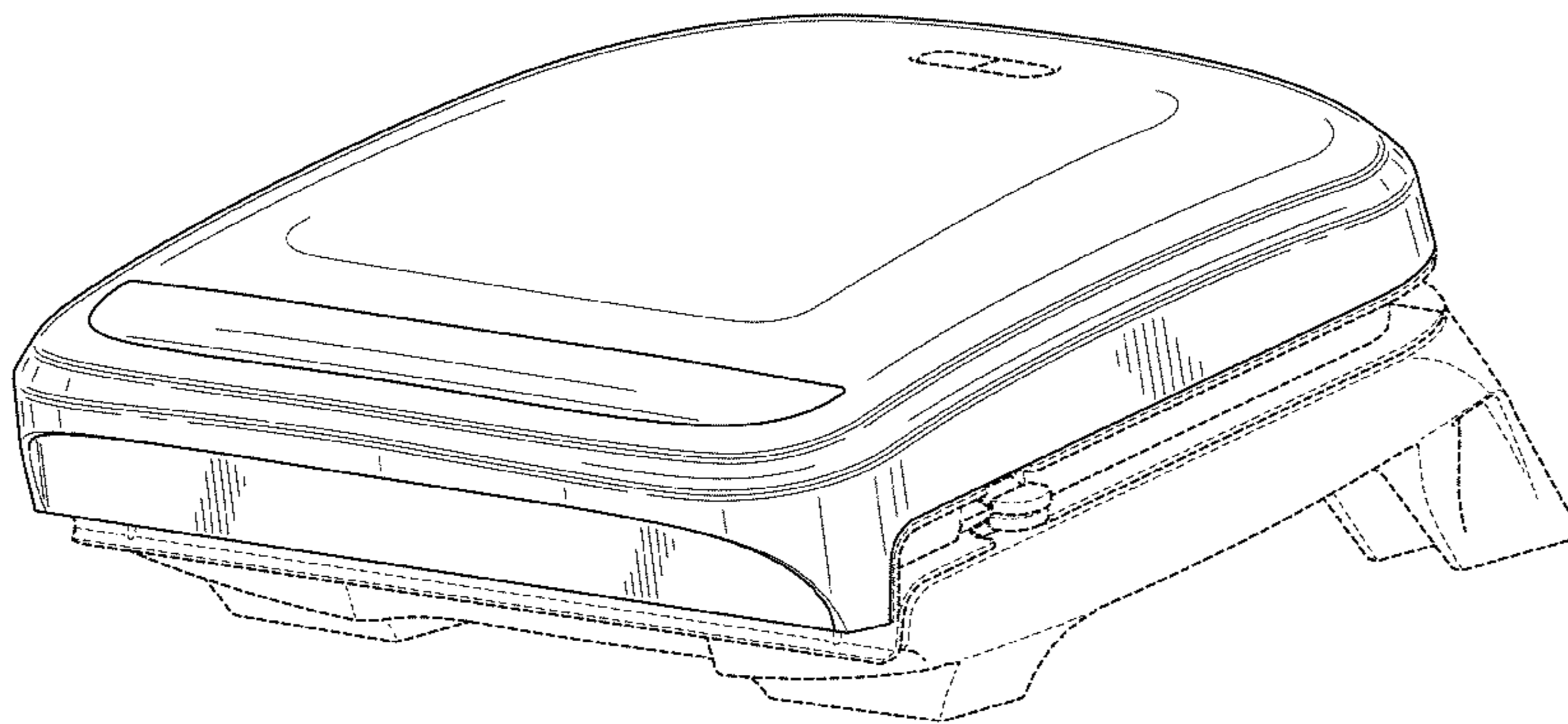
(57) **CLAIM**  
The ornamental design for a grill, as shown and described.

**DESCRIPTION**

FIG. 1 is a front perspective view of a grill showing my new design;  
FIG. 2 is a top view thereof;  
FIG. 3 is a bottom view thereof;  
FIG. 4 is a front view thereof;  
FIG. 5 is a rear view thereof;  
FIG. 6 is a right side view thereof; and,  
FIG. 7 is a left side view thereof.  
The broken line showing of various elements of the grill is for environmental purposes only and forms no part of the claimed design.

**1 Claim, 6 Drawing Sheets**

(56) **References Cited**  
U.S. PATENT DOCUMENTS  
D413,760 S \* 9/1999 Tsai et al. .... D7/352  
D446,074 S \* 8/2001 Barker ..... D7/352  
D462,228 S \* 9/2002 Wu ..... D7/352  
D462,229 S \* 9/2002 Wu ..... D7/352  
D462,566 S \* 9/2002 Wu ..... D7/352  
D463,950 S \* 10/2002 Wu ..... D7/352  
D464,230 S \* 10/2002 Wu ..... D7/352



(56)

**References Cited**

U.S. PATENT DOCUMENTS

D592,005 S \* 5/2009 Richardson et al. .... D7/337  
D594,695 S \* 6/2009 Lin ..... D7/360  
D621,203 S \* 8/2010 Huang ..... D7/352  
D638,260 S \* 5/2011 Lin ..... D7/402

D650,220 S 12/2011 Miller et al.  
D650,221 S 12/2011 Miller et al.  
D650,222 S 12/2011 Miller et al.  
D650,223 S 12/2011 Miller et al.  
D650,224 S 12/2011 Miller et al.

\* cited by examiner

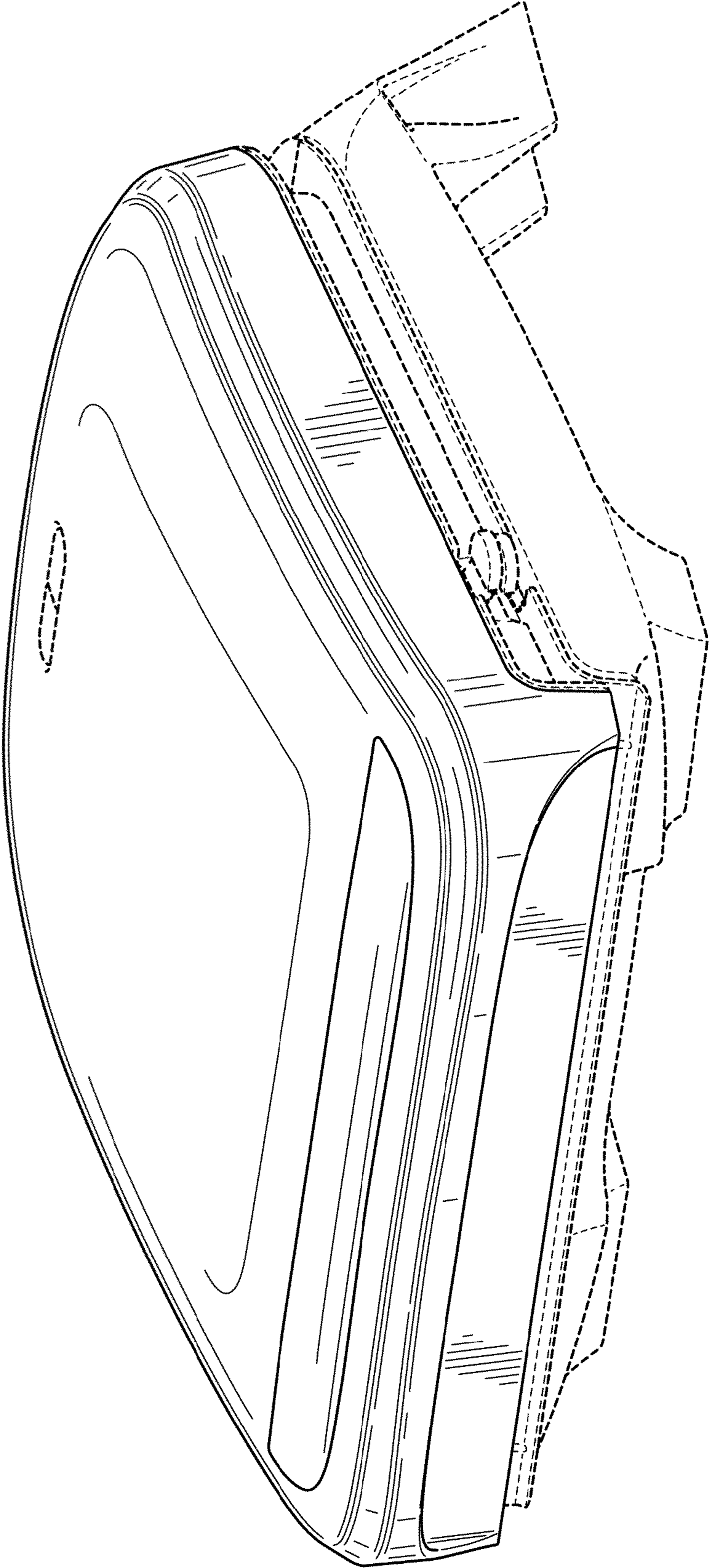


FIG. 1

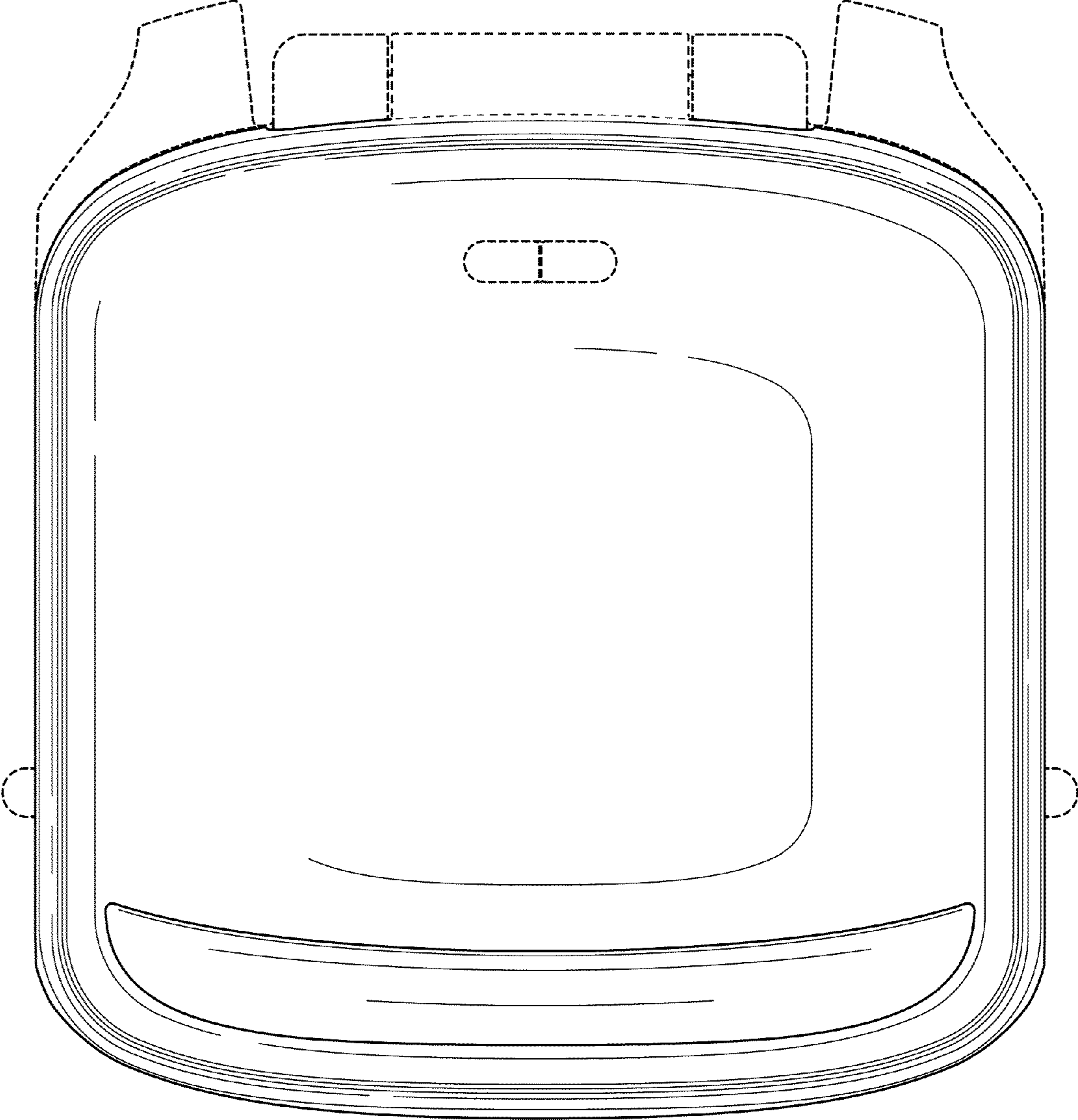


FIG. 2

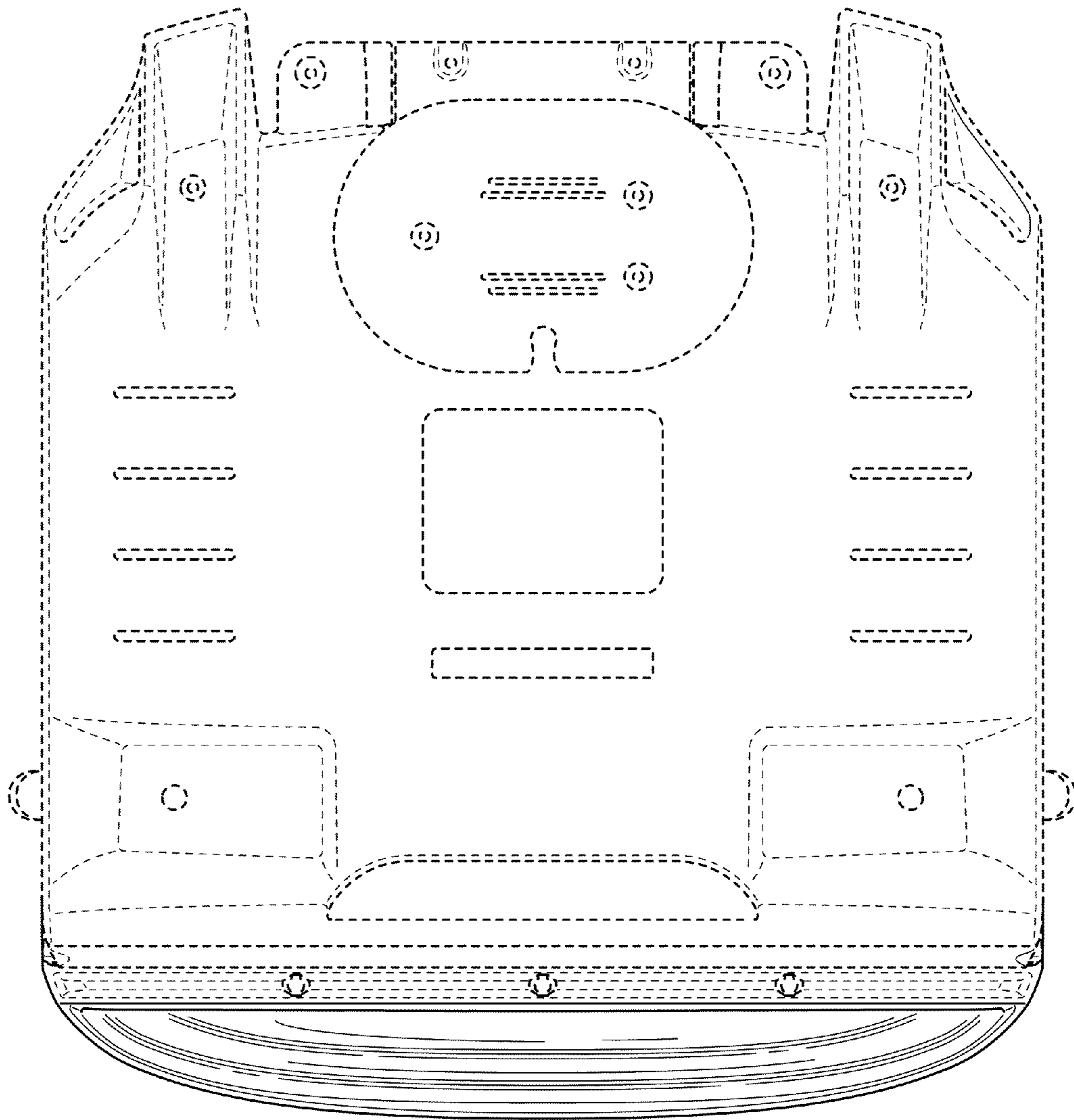


FIG. 3

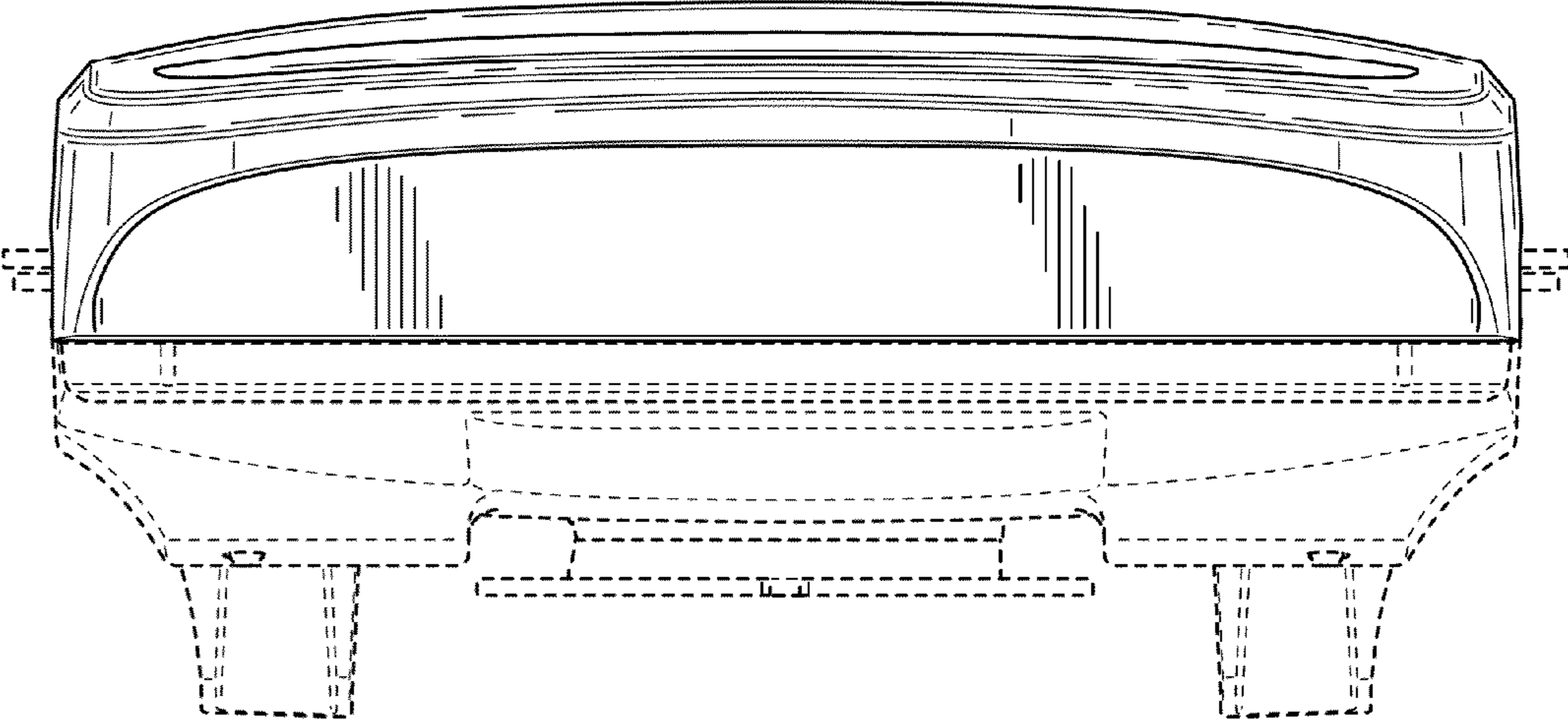


FIG. 4

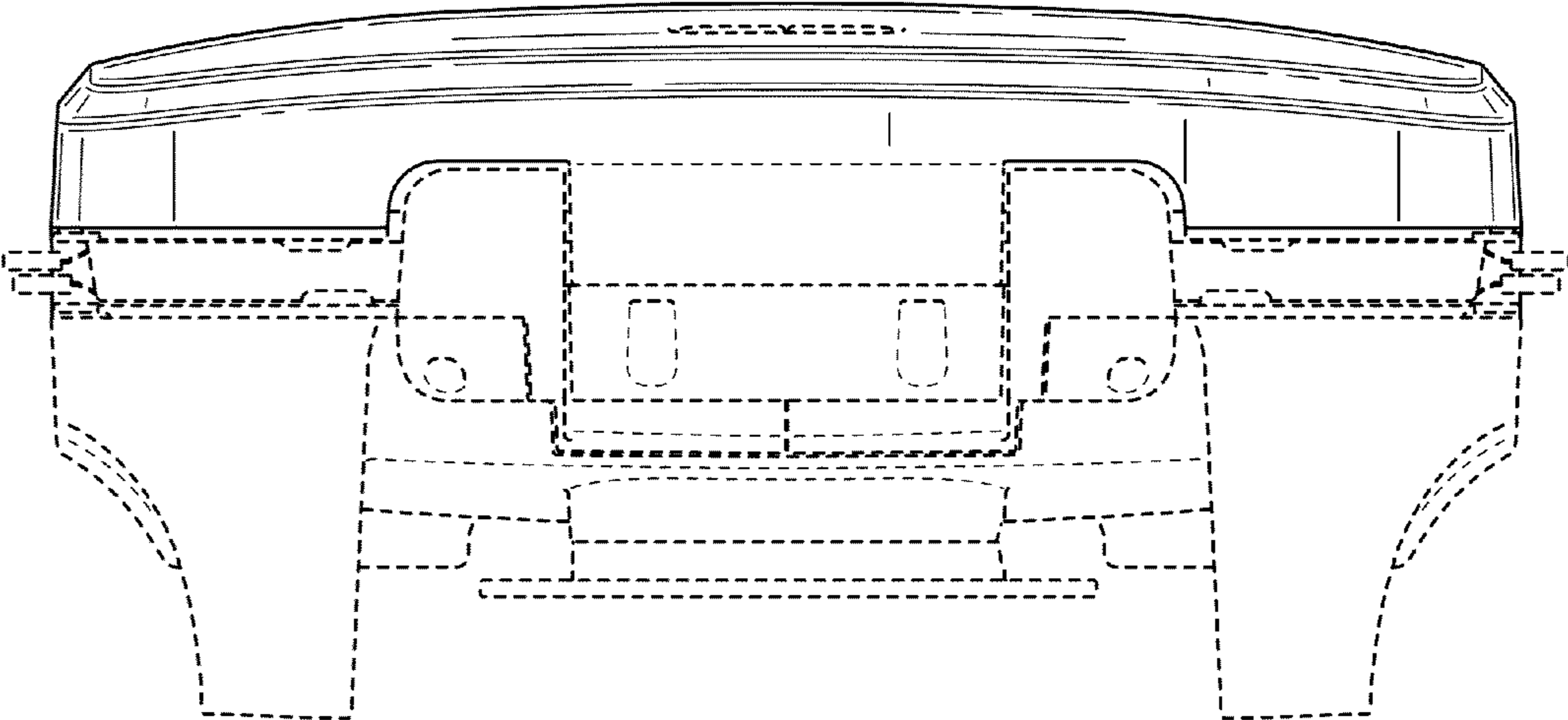


FIG. 5

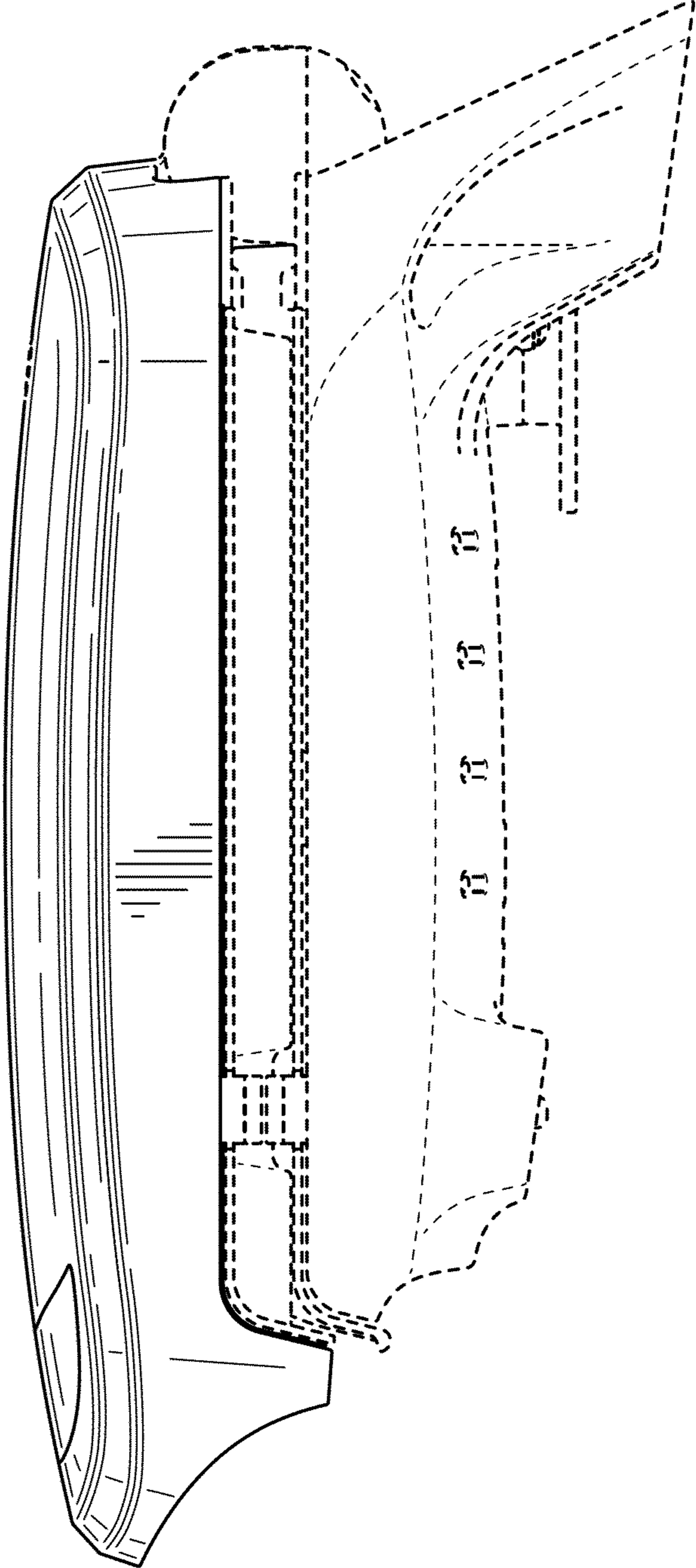


FIG. 6

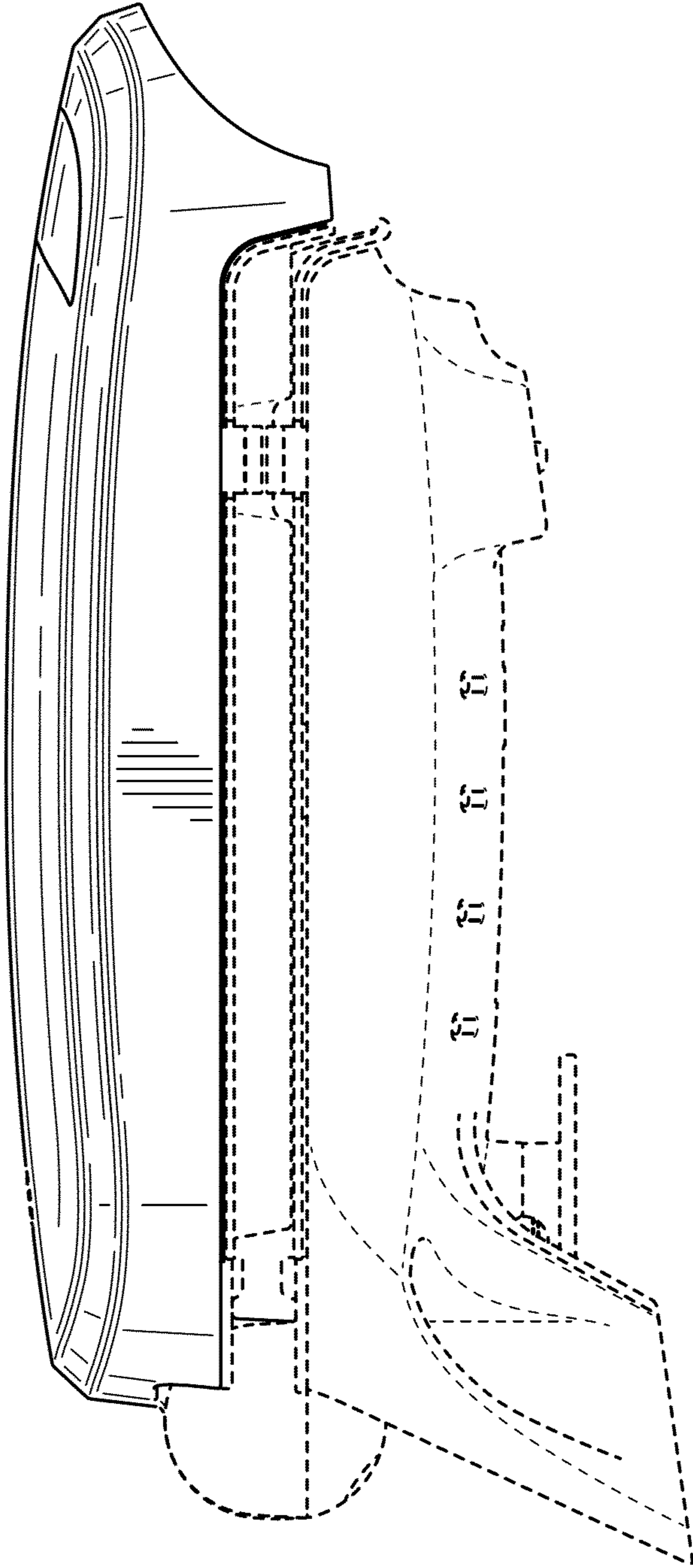


FIG. 7