



US00D718973S

(12) **United States Design Patent**
Picozza et al.

(10) **Patent No.:** **US D718,973 S**
(45) **Date of Patent:** **** Dec. 9, 2014**

(54) **HOT BEVERAGE MAKER**

(56) **References Cited**

(71) Applicant: **Sunbeam Products, Inc.**, Boca Raton, FL (US)
(72) Inventors: **Augusto Picozza**, Boca Raton, FL (US); **Joseph Palermo**, Boynton Beach, FL (US); **Hyung-Seok Lee**, Chicago, IL (US); **Siaryei MuraYOU**, Sunnyvale, CA (US); **Marianne Grisdale**, Chicago, IL (US)

U.S. PATENT DOCUMENTS

D478,461	S	*	8/2003	Hoard	D7/309
D492,878	S	*	7/2004	Nakato et al.	D7/306
D495,190	S	*	8/2004	Picozza et al.	D7/309
D558,506	S	*	1/2008	Garman	D7/309
D622,999	S	*	9/2010	MuraYOU et al.	D7/309
D625,542	S	*	10/2010	Picozza et al.	D7/309
D668,498	S	*	10/2012	Andreesen	D7/309
8,360,279	B1	*	1/2013	Giles	222/145.6

* cited by examiner

(73) Assignee: **Sunbeam Products, Inc.**, Boca Raton, FL (US)

Primary Examiner — Marianne Pandozzi
(74) *Attorney, Agent, or Firm* — Michael J. Corrigan

(**) Term: **14 Years**

(57) **CLAIM**
The ornamental design for the hot beverage maker, as shown and described.

(21) Appl. No.: **29/466,461**

DESCRIPTION

(22) Filed: **Sep. 9, 2013**

FIG. 1 is a front perspective view of the hot beverage maker; FIG. 2 is a front view thereof; FIG. 3 is a rear view thereof; FIG. 4 is a left side view thereof; FIG. 5 is a right side view thereof; FIG. 6 is a top view thereof; and, FIG. 7 is a bottom view thereof. The portion shown in dashed lines is shown for illustrative purposes only and forms no part of the claimed design.

(51) **LOC (10) Cl.** **07-01**

(52) **U.S. Cl.**
USPC **D7/309; D7/311; D7/307; D7/306**

(58) **Field of Classification Search**
USPC **D7/306-311, 301, 300, 326, 386, 399, D7/397; 99/281, 305, 307; 141/247; 222/129.1, 129.3, 145.6; D24/197**

See application file for complete search history.

1 Claim, 4 Drawing Sheets

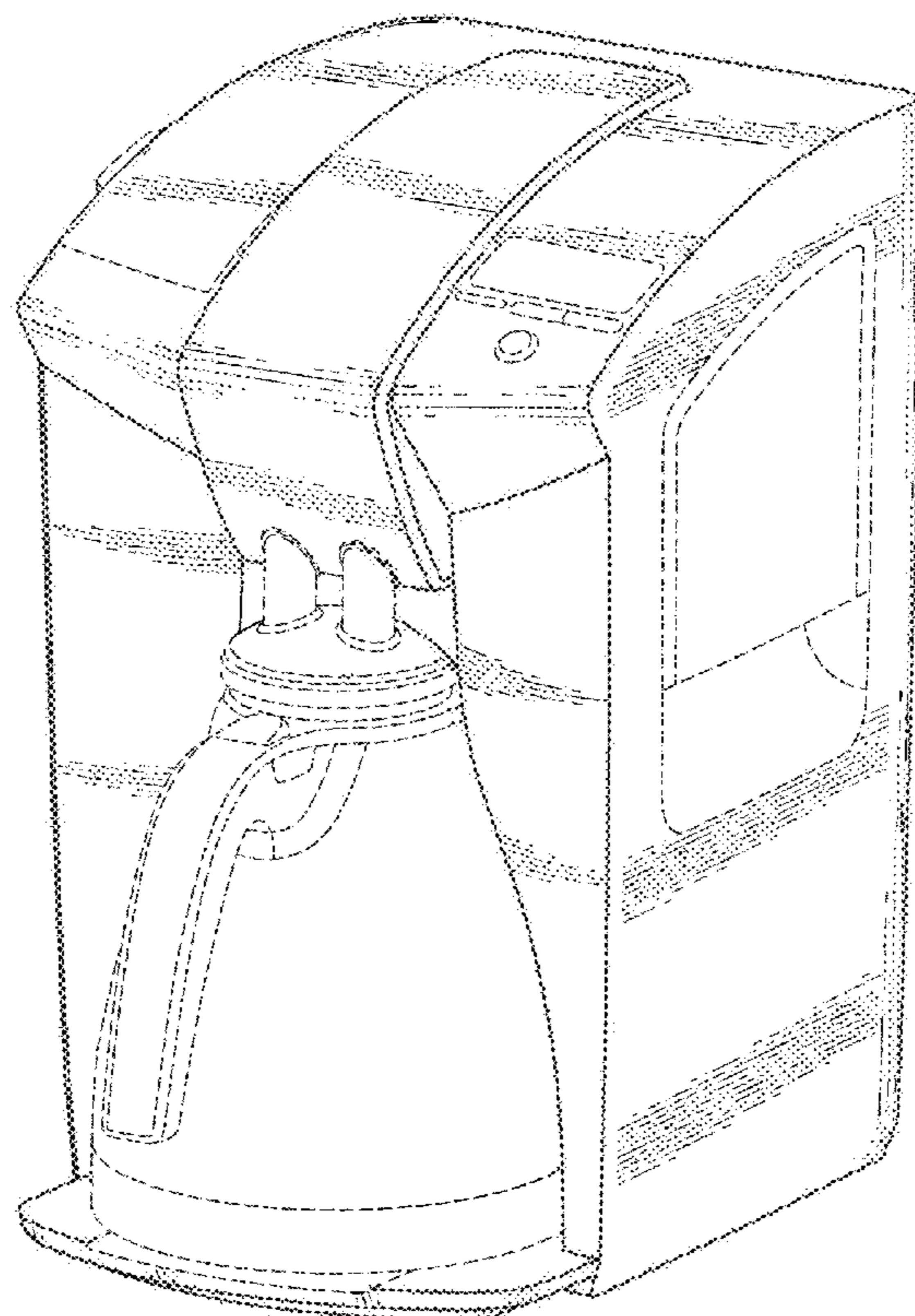


FIG. 1

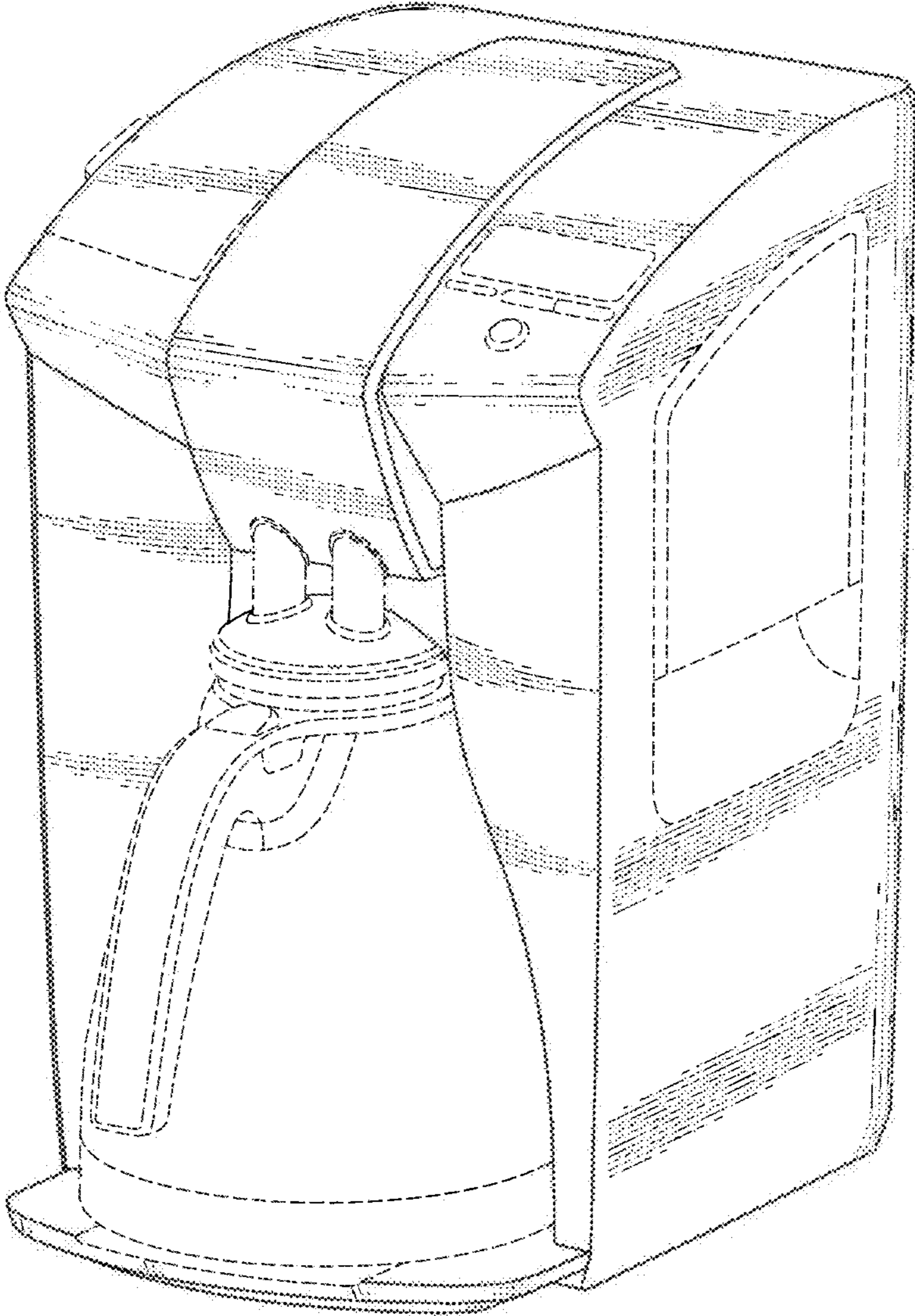


FIG. 3

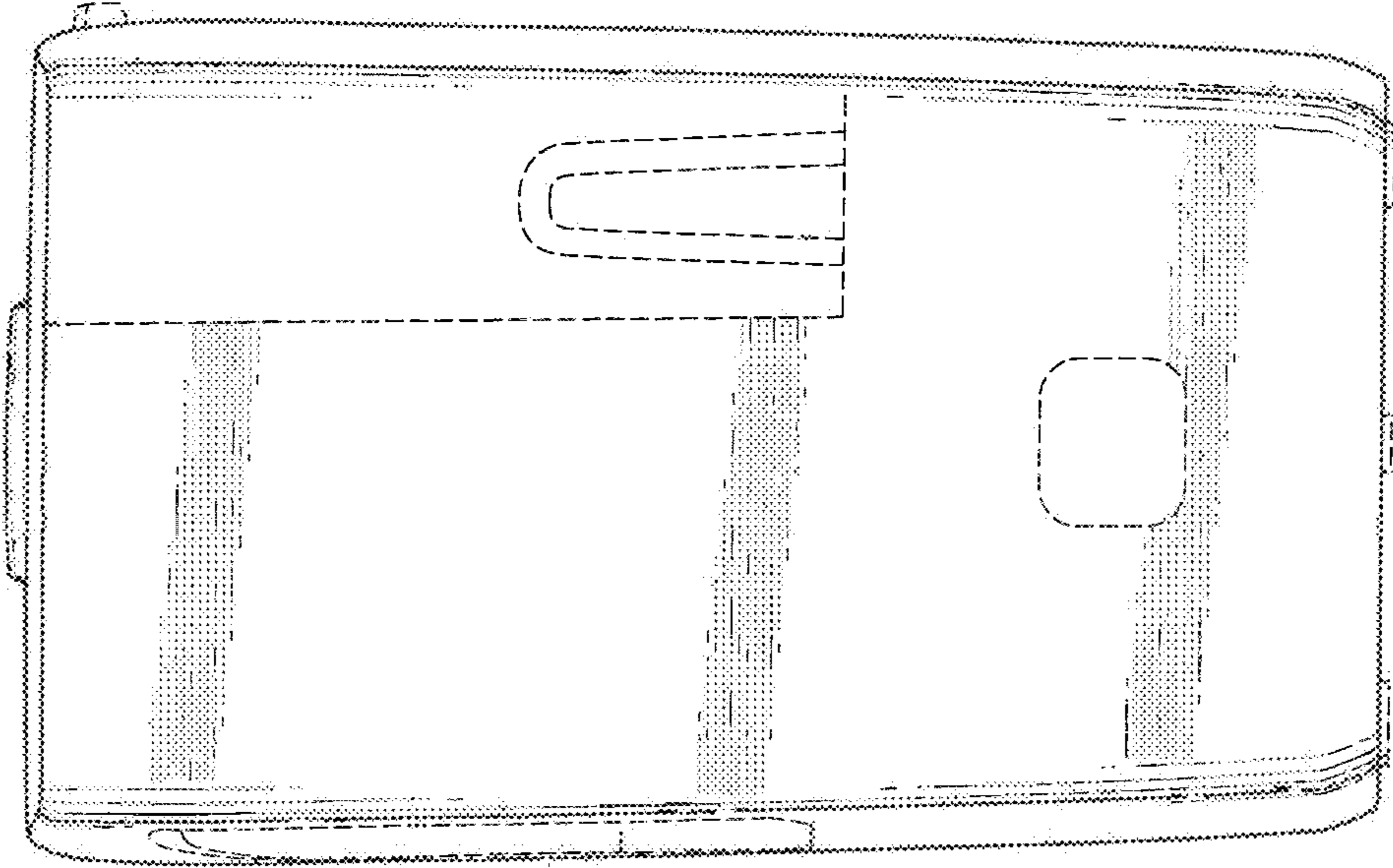


FIG. 2

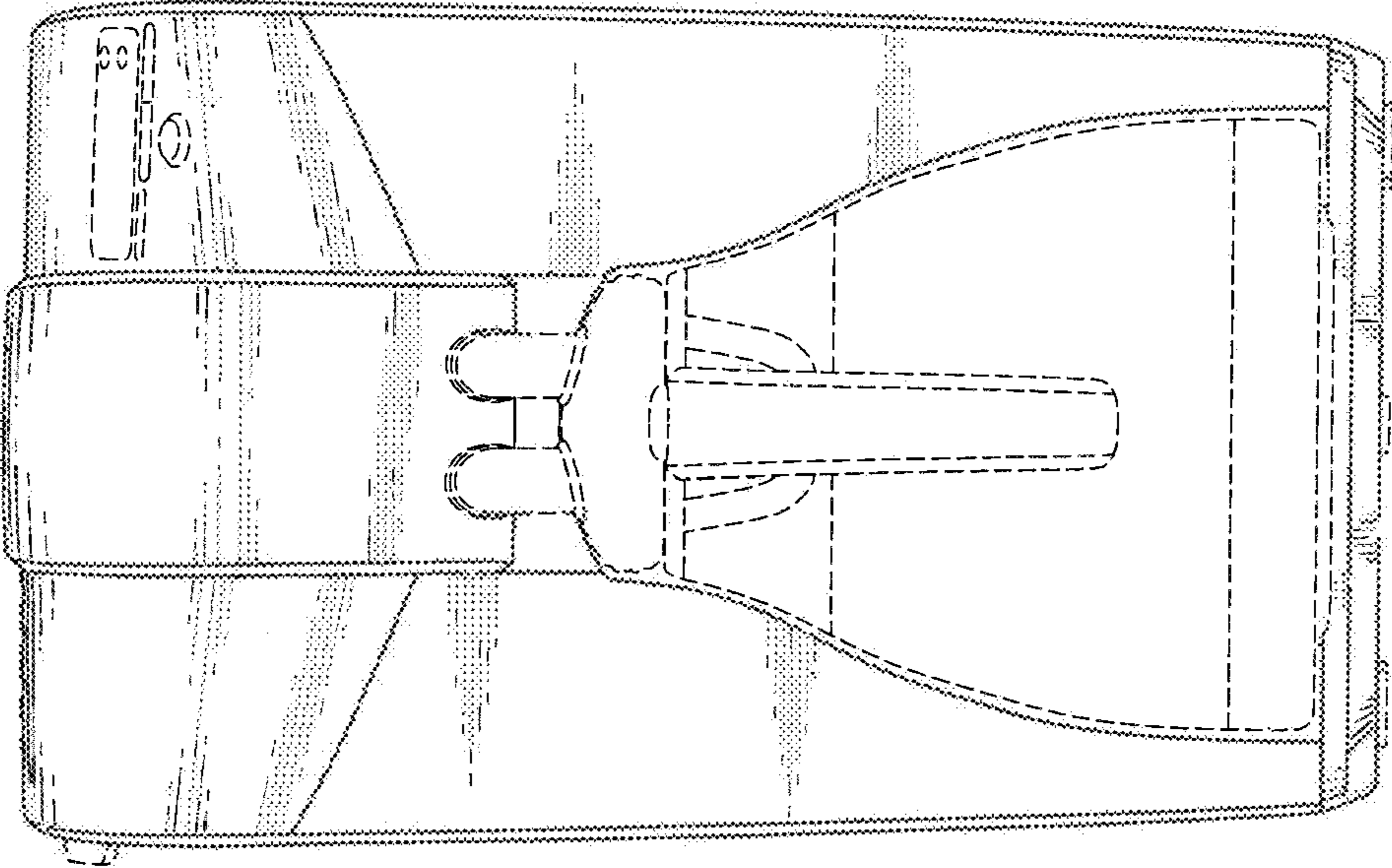


FIG. 5

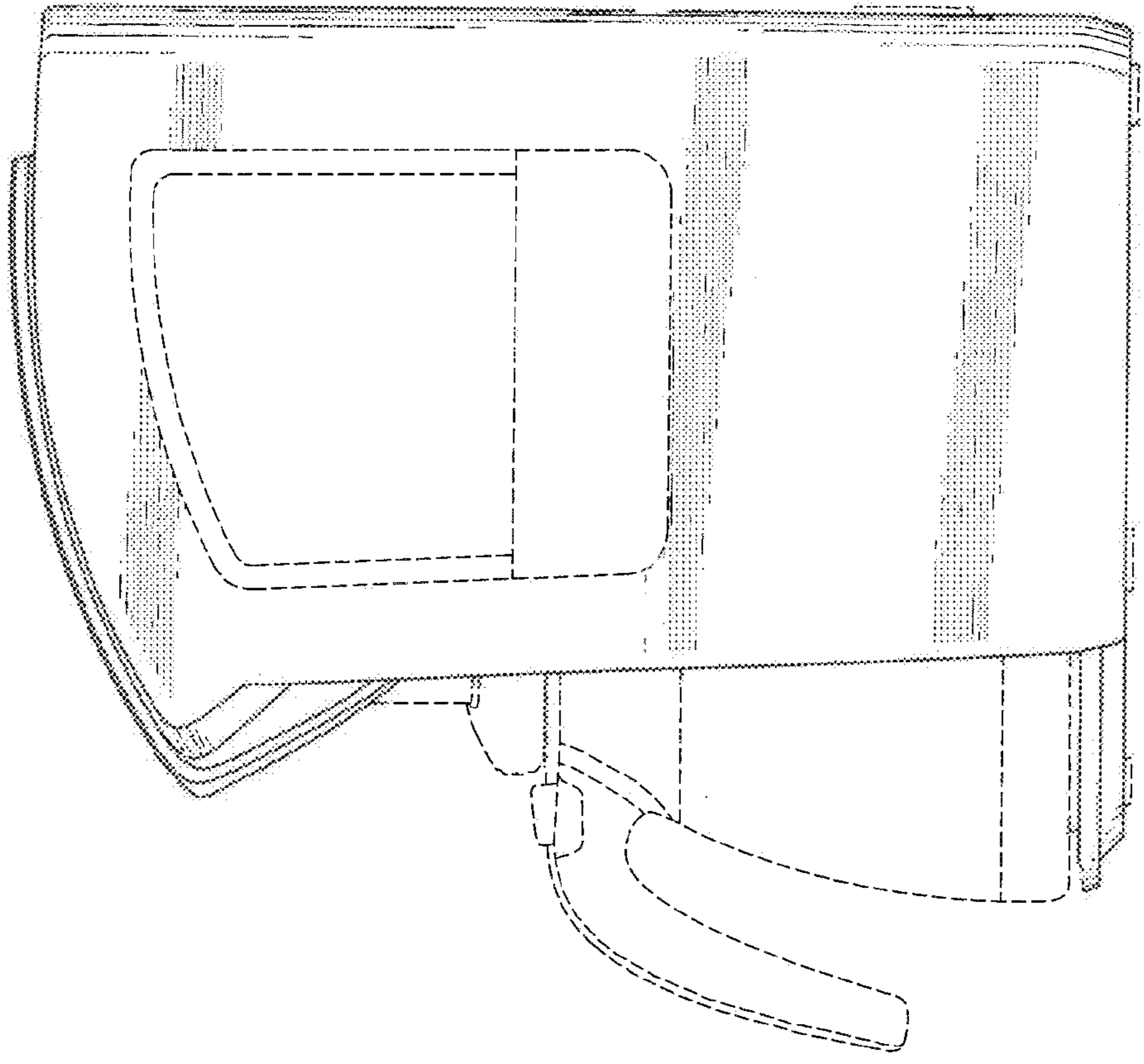


FIG. 4

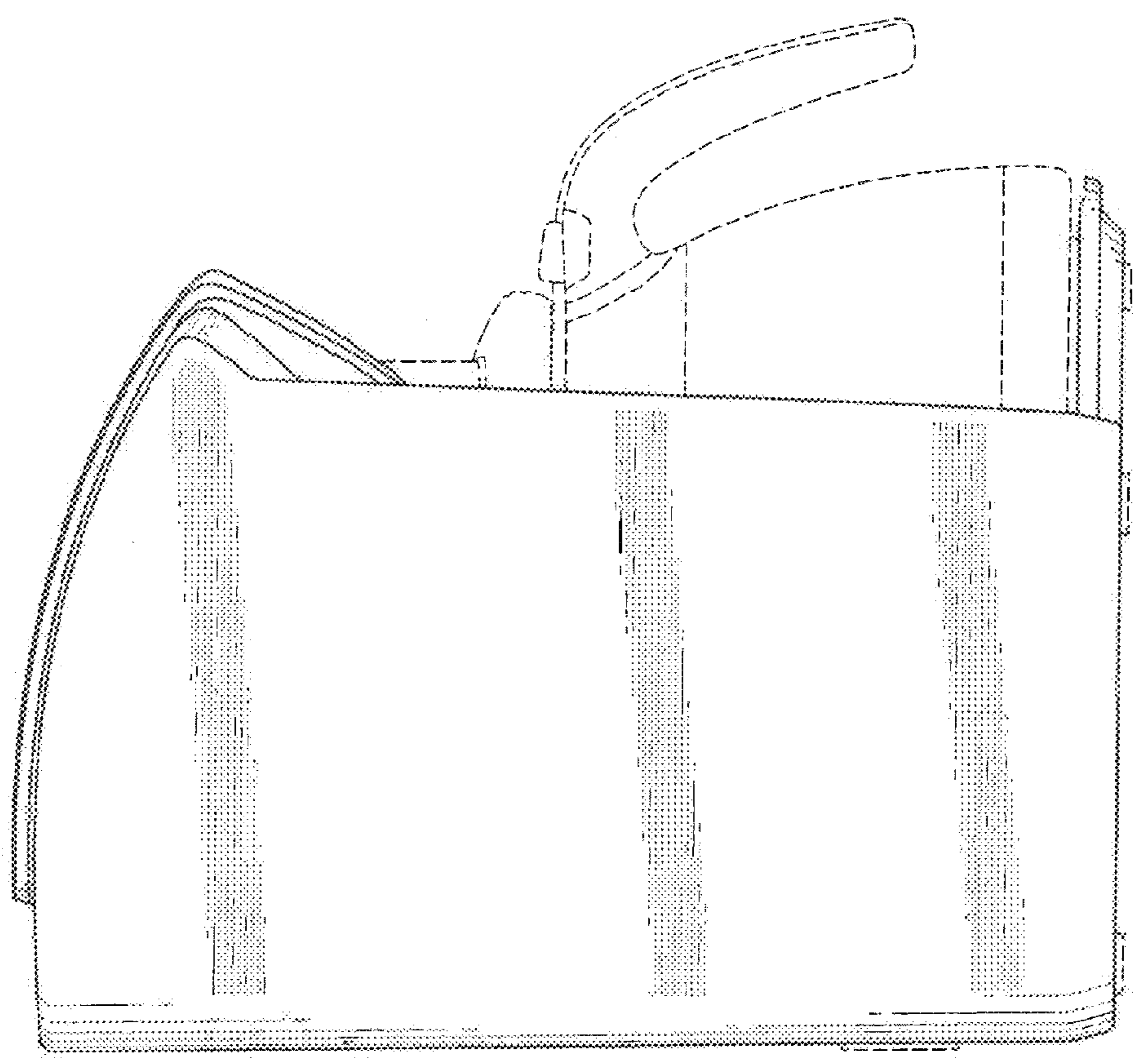


FIG. 6

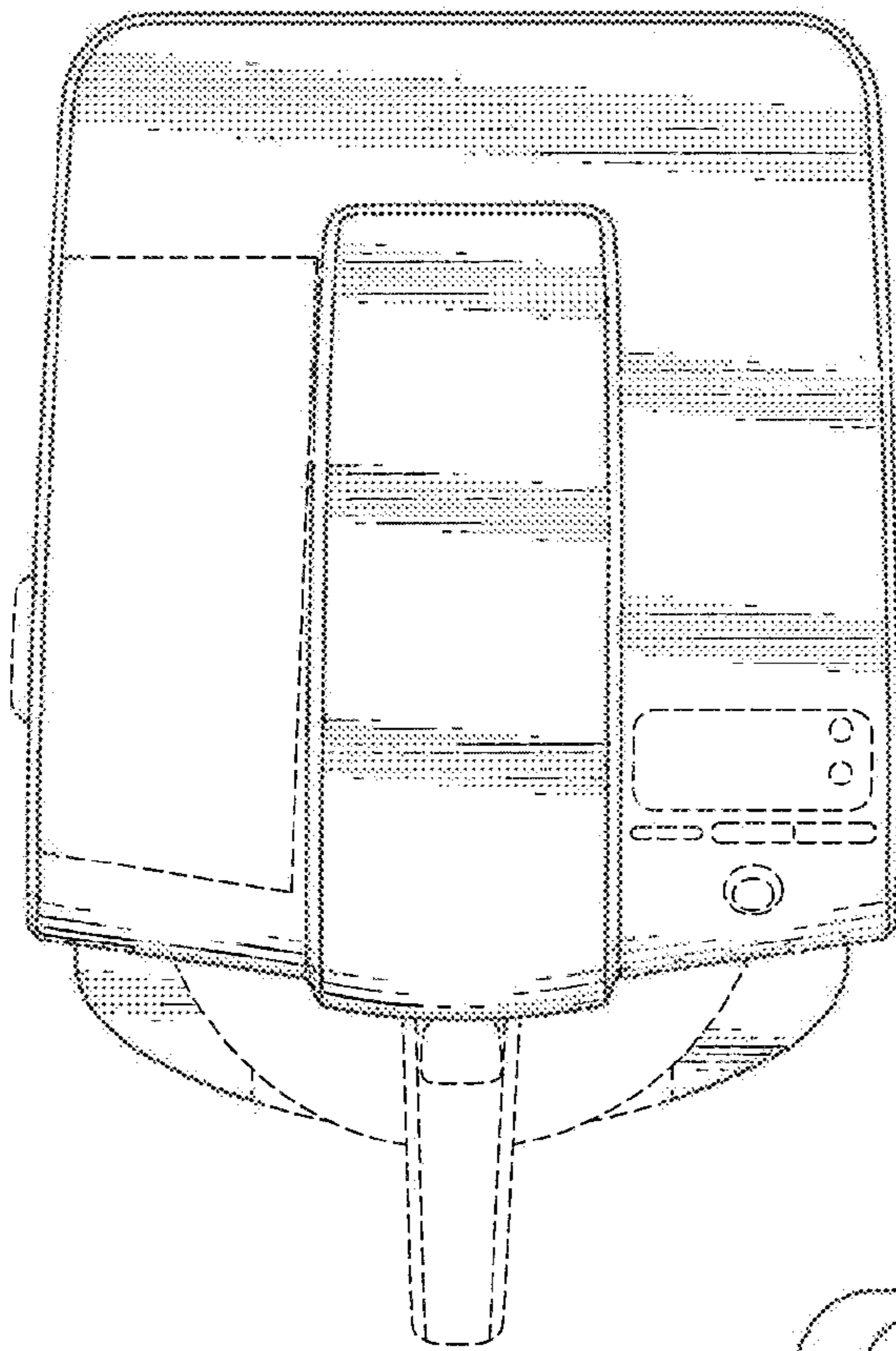


FIG. 7

