



US00D718972S

(12) **United States Design Patent**
Jorgensen

(10) **Patent No.:** **US D718,972 S**
(45) **Date of Patent:** **** Dec. 9, 2014**

- (54) **COFFEE MAKER**
- (71) Applicant: **AS WILFA**, Skytta (NO)
- (72) Inventor: **Arild Jorgensen**, Skytta (NO)
- (73) Assignee: **AS WILFA**, Skytta (NO)
- (**) Term: **14 Years**
- (21) Appl. No.: **29/460,281**
- (22) Filed: **Jul. 9, 2013**
- (51) **LOC (10) Cl.** **07-01**
- (52) **U.S. Cl.**
USPC **D7/309**; D7/310; D7/311
- (58) **Field of Classification Search**
CPC A47J 31/44; A47J 31/42; A23F 5/26
USPC D7/306-311, 300; 99/305, 300, 293,
99/279, 290; D23/207, 209
See application file for complete search history.

(56) **References Cited**

U.S. PATENT DOCUMENTS

- D207,526 S 4/1967 Martin et al.
- D218,191 S 7/1970 Trevolitz
- D220,579 S * 4/1971 Wickenberg D7/309
- 3,592,125 A * 7/1971 Tolmie et al. 99/307
- D239,359 S * 3/1976 Schmitt et al. D7/309
- D240,386 S * 7/1976 Stuetzer D7/309
- D243,141 S * 1/1977 Mantelet D7/309
- D254,892 S 5/1980 Smit
- D286,127 S 10/1986 Sastre
- 4,683,812 A 8/1987 Tarlow et al.
- 4,704,954 A * 11/1987 Mollenhoff 99/279
- 4,721,034 A * 1/1988 Shimomura 99/280
- D299,304 S 1/1989 Knochner et al.
- D299,897 S 2/1989 Rasmussen
- D300,106 S * 3/1989 Paulin D7/309
- D300,596 S 4/1989 Eugster
- D307,754 S 5/1990 Osrow et al.

- D331,522 S 12/1992 Littmann
- D338,590 S 8/1993 Dingelstad et al.
- D339,953 S 10/1993 Bunn et al.
- D355,560 S 2/1995 Assmann
- D356,466 S * 3/1995 Classen D7/309
- D369,268 S 4/1996 Assmann et al.
- D379,049 S 5/1997 Amiel
- D382,438 S 8/1997 Figur et al.
- D397,904 S 9/1998 De' Longhi
- D401,108 S 11/1998 Pochopien et al.
- D401,803 S 12/1998 Alferink
- D402,153 S 12/1998 Saltet
- D404,604 S 1/1999 Pochopien et al.
- D406,982 S 3/1999 Littmann
- D414,647 S 10/1999 Driscoll et al.
- 5,964,143 A 10/1999 Driscoll et al.
- D420,248 S 2/2000 Uemura et al.
- D423,862 S * 5/2000 Mravlja et al. D7/306

(Continued)

FOREIGN PATENT DOCUMENTS

NO 083788 2/2013

Primary Examiner — Marianne Pandozzi

(74) *Attorney, Agent, or Firm* — Oblon, Spivak, McClelland, Maier & Neustadt, L.L.P.

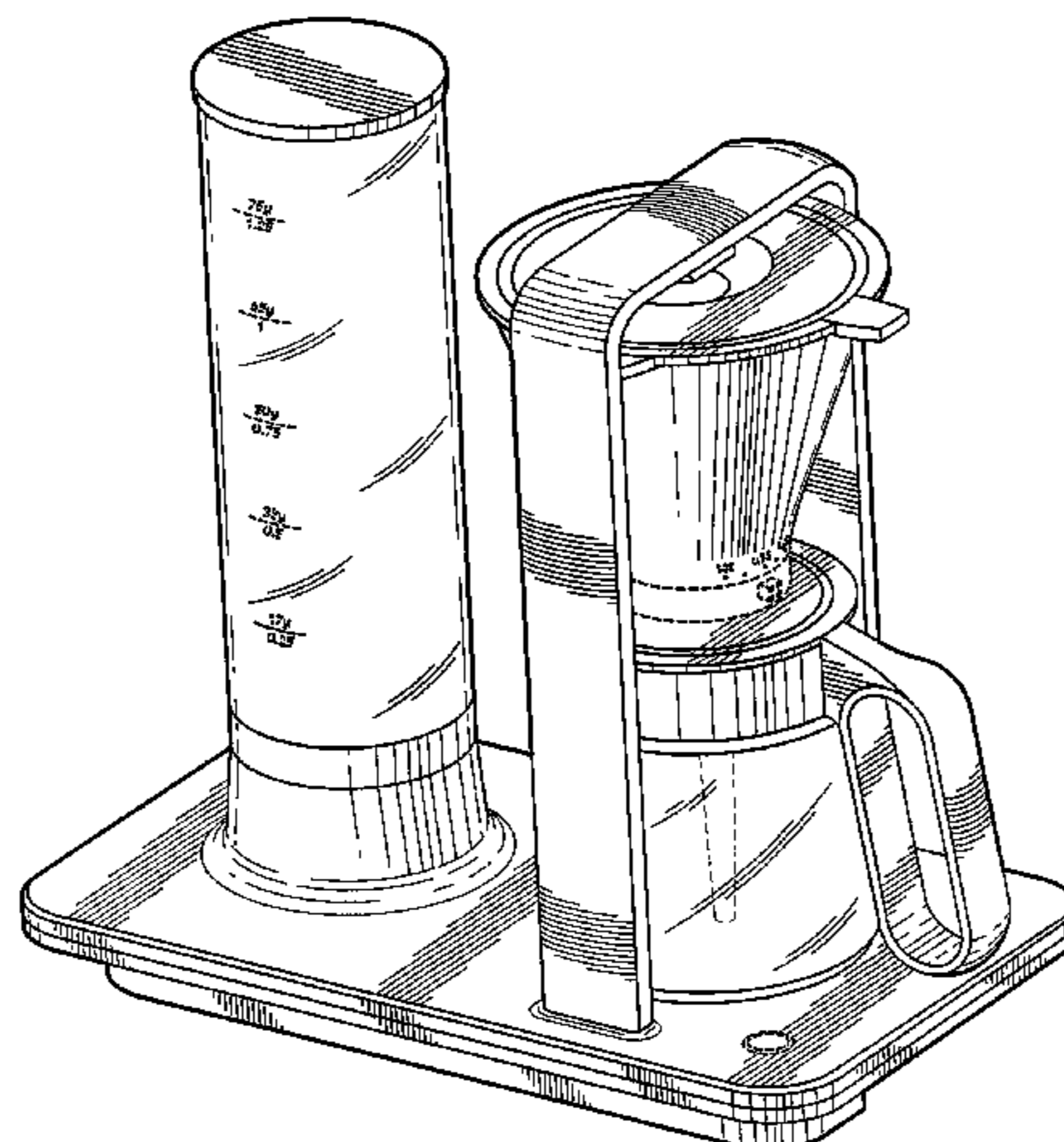
(57) **CLAIM**

The ornamental design for a coffee maker, as shown and described.

DESCRIPTION

FIG. 1 is a perspective view of a coffee maker showing my new design;
FIG. 2 is a left side view thereof;
FIG. 3 is a right side view thereof;
FIG. 4 is a front view thereof;
FIG. 5 is a back view thereof;
FIG. 6 is a top plan view thereof; and,
FIG. 7 is a bottom plan view thereof.

1 Claim, 7 Drawing Sheets



(56)

References Cited

U.S. PATENT DOCUMENTS

D423,870 S	5/2000	Pinney	D501,750 S	2/2005	DeMore	
D424,360 S	5/2000	Schwarz et al.	D502,043 S	2/2005	Lin	
D432,848 S	10/2000	Brady et al.	D502,841 S	3/2005	Santer	
D432,849 S	10/2000	Brady et al.	D507,449 S *	7/2005	Burton et al.	D7/309
D440,811 S	4/2001	Littmann et al.	D522,792 S	6/2006	Koitzsch et al.	
D446,987 S	8/2001	Bureaux	7,089,849 B2	8/2006	Chen et al.	
D450,520 S	11/2001	Saltet	D540,102 S	4/2007	Carss	
D451,329 S	12/2001	DeMars	D552,402 S *	10/2007	Schwamkrug	D7/309
D452,106 S	12/2001	Seiffert	D555,969 S	11/2007	Picozza et al.	
D453,441 S	2/2002	Li	D560,950 S	2/2008	Schwamkrug	
D454,466 S	3/2002	Hong	D561,518 S	2/2008	Borin et al.	
D472,754 S	4/2003	Long et al.	D580,208 S	11/2008	Cheng	
D478,765 S	8/2003	Seum et al.	D585,229 S	1/2009	de Visser	
D479,939 S	9/2003	Au	D596,442 S *	7/2009	Cahen	D7/309
D489,214 S	5/2004	Noda et al.	D605,888 S *	12/2009	Gu	D7/301
D496,213 S	9/2004	Midden et al.	D610,857 S	3/2010	Pateman et al.	
D496,553 S	9/2004	Bodum	D653,905 S	2/2012	Bodum	
			D670,132 S	11/2012	De'Longhi	
			D704,495 S *	5/2014	Carden	D7/309

* cited by examiner

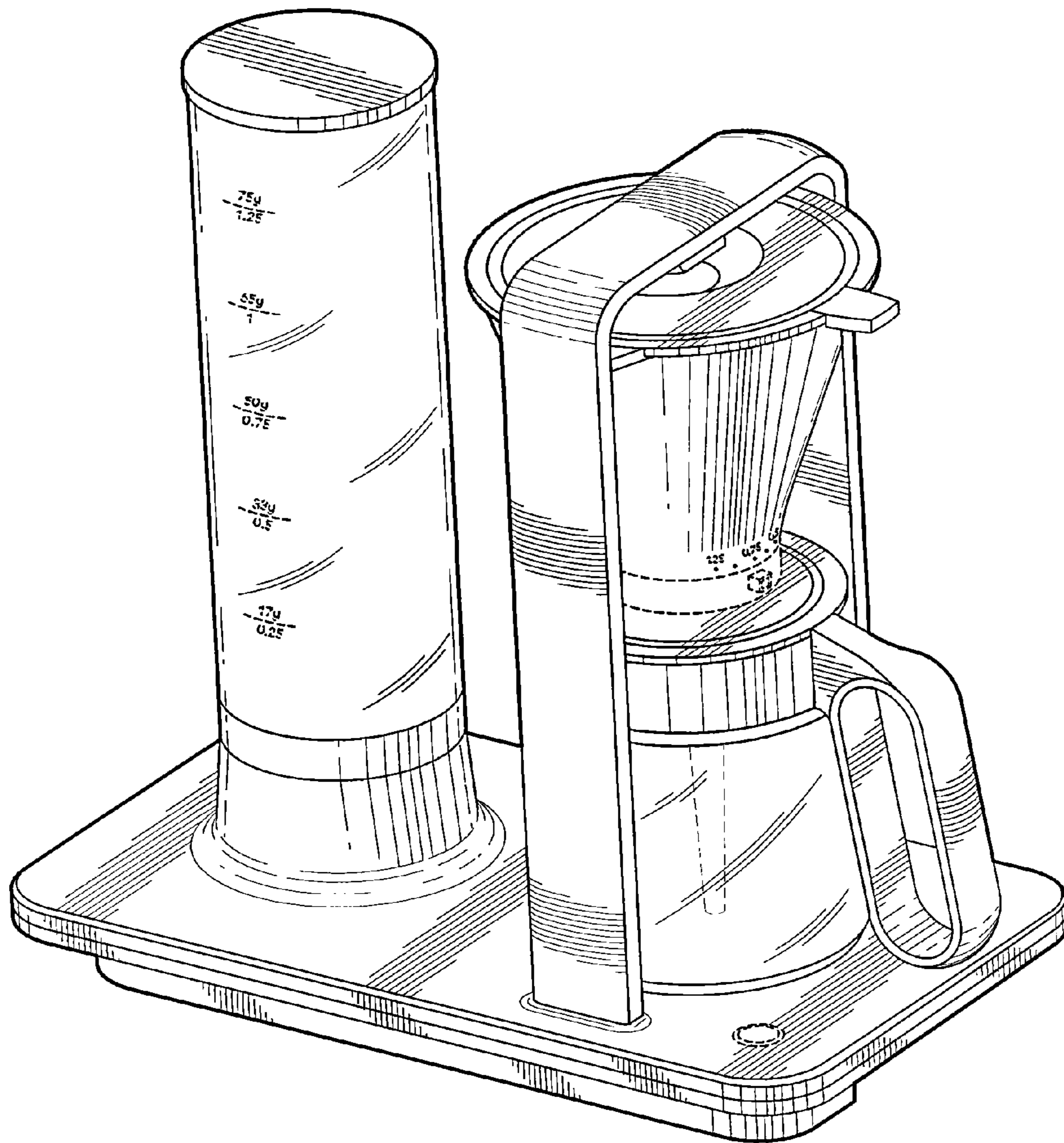


Fig. 1

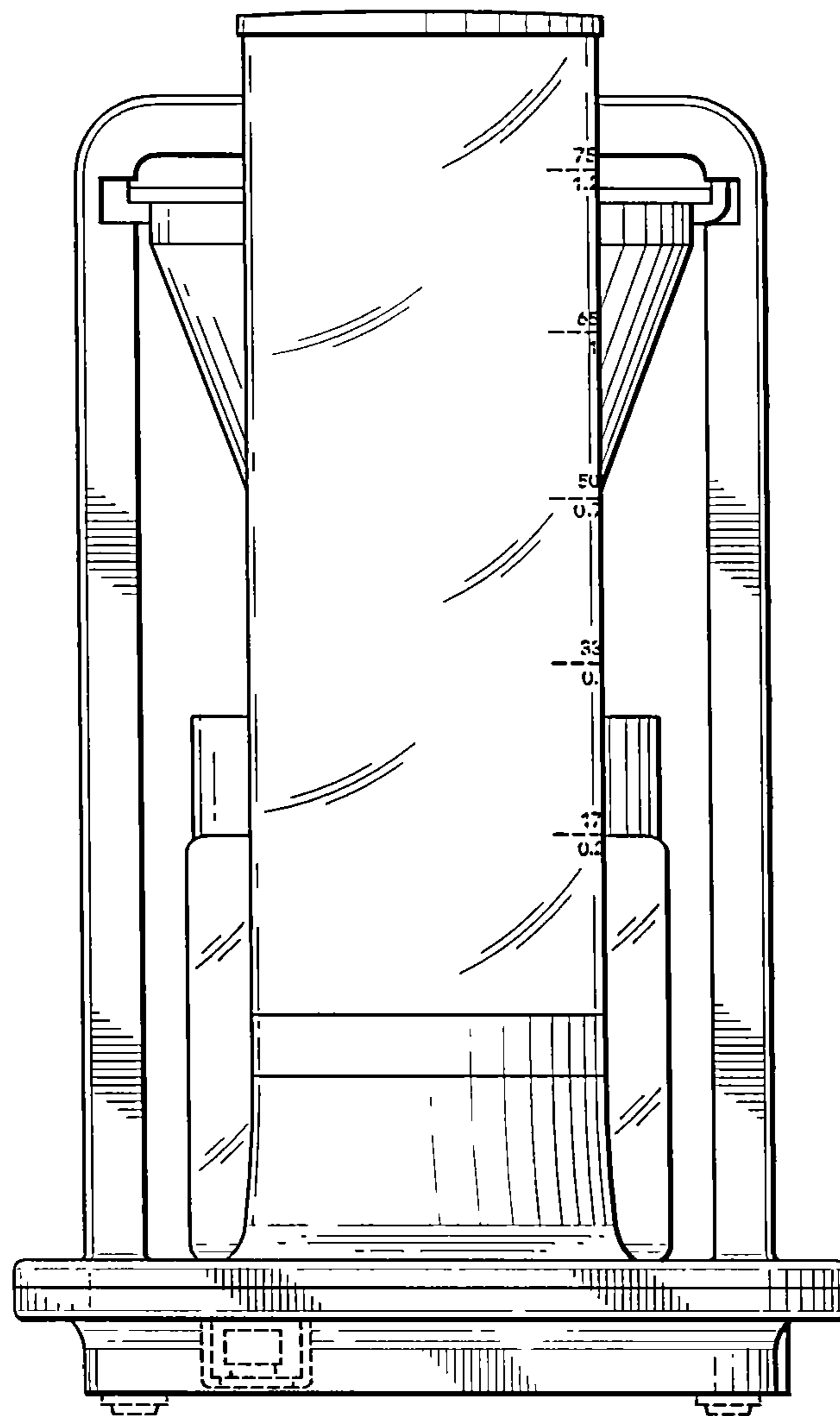


Fig. 2

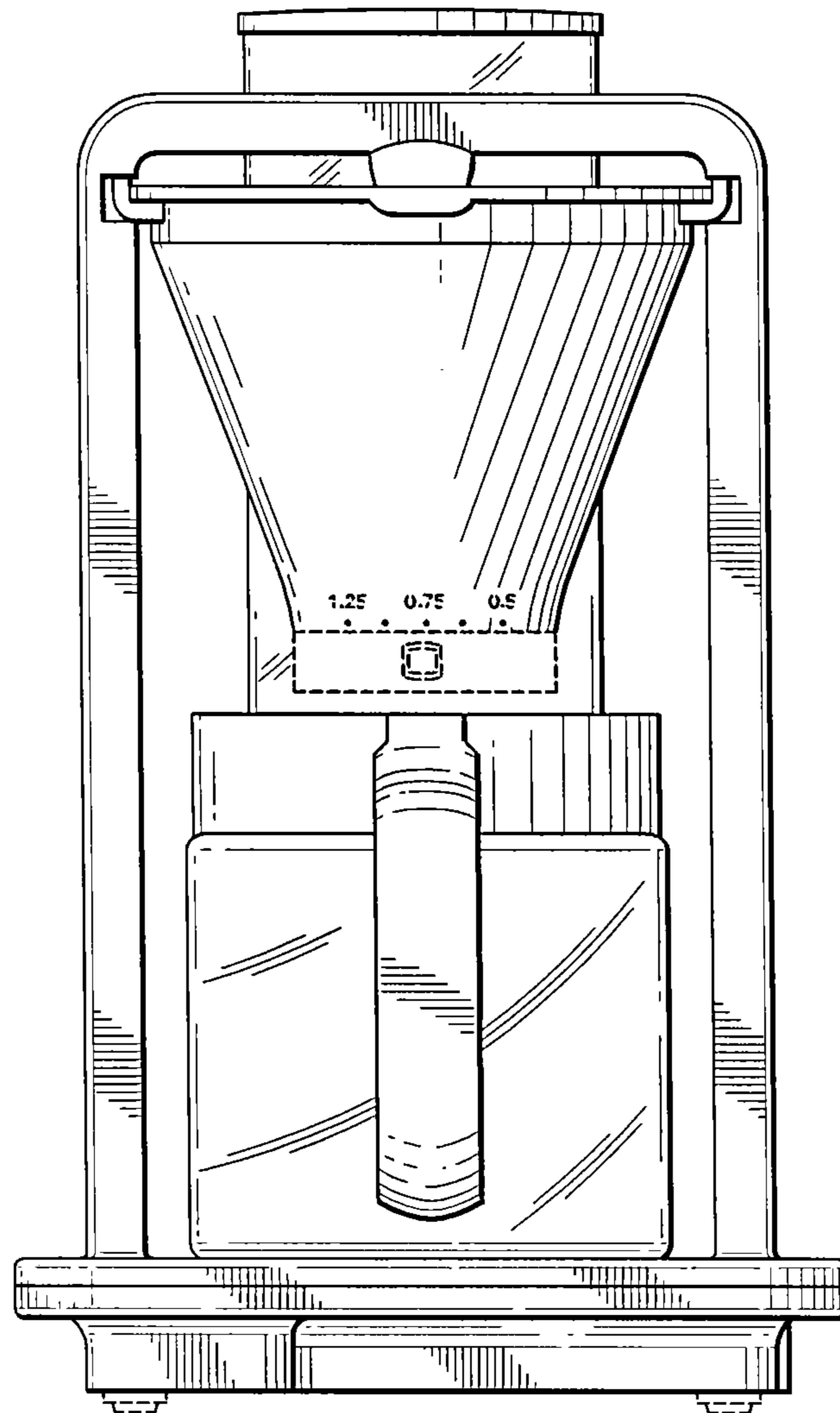


Fig. 3

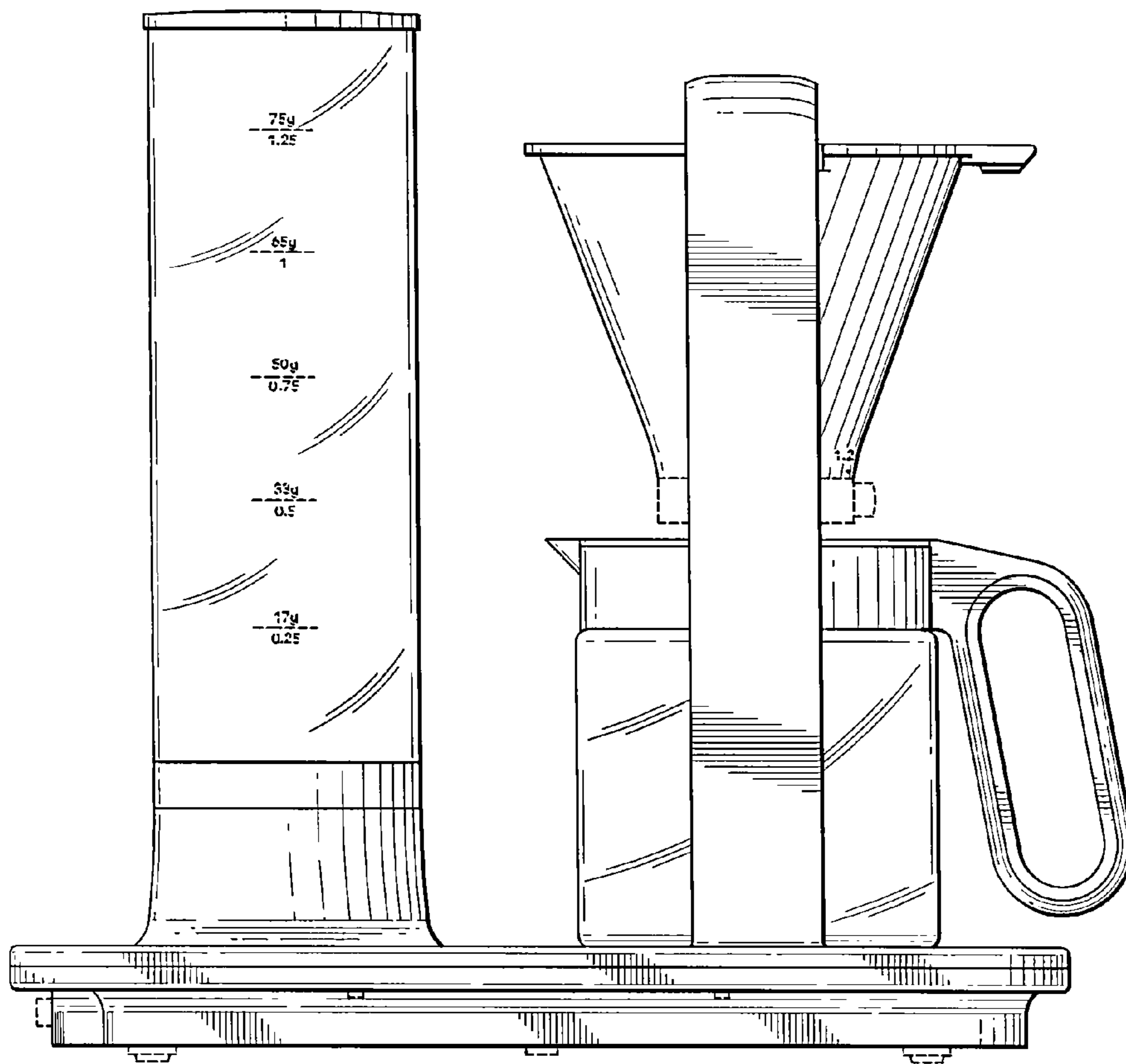


Fig. 4

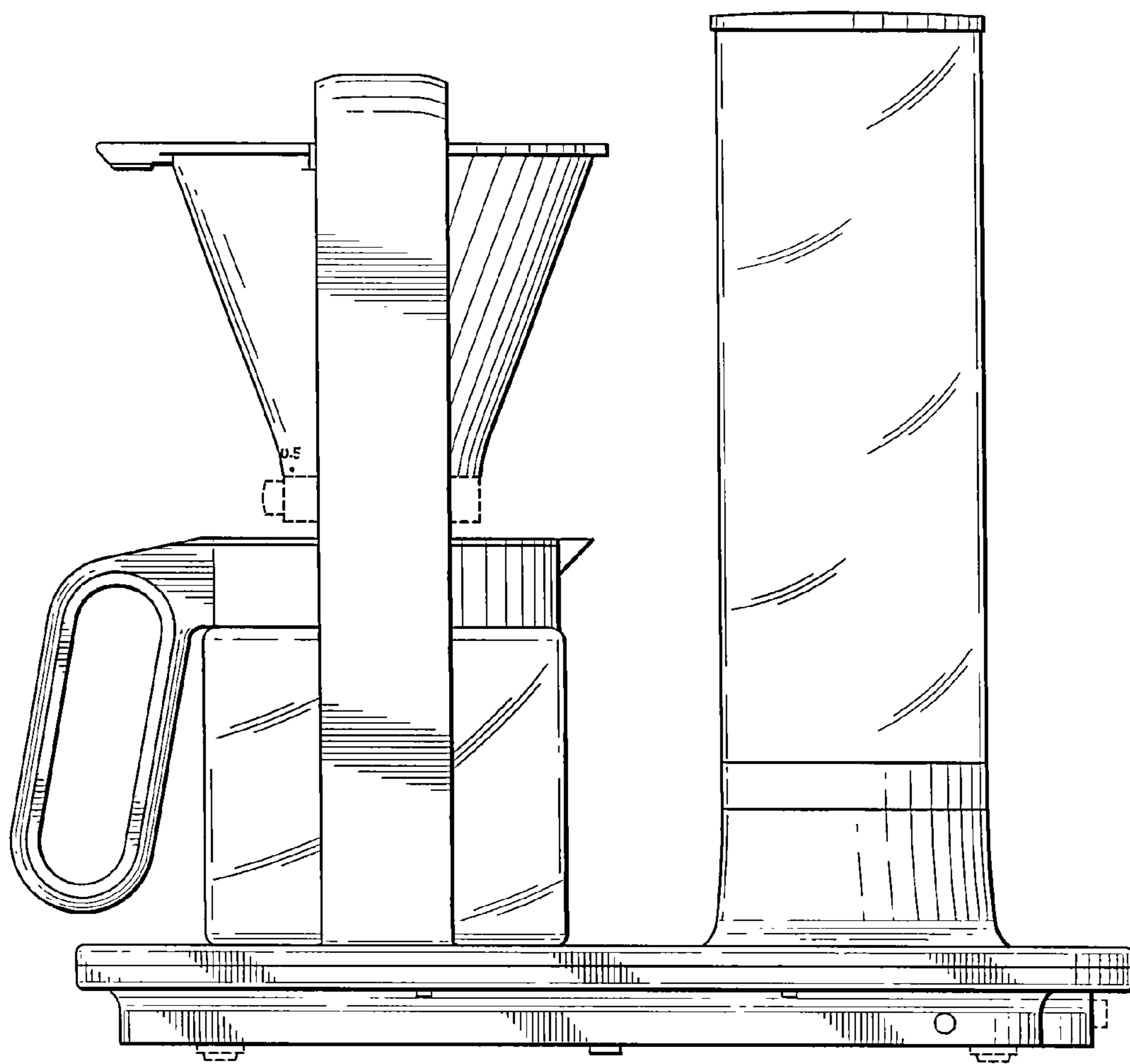


Fig. 5

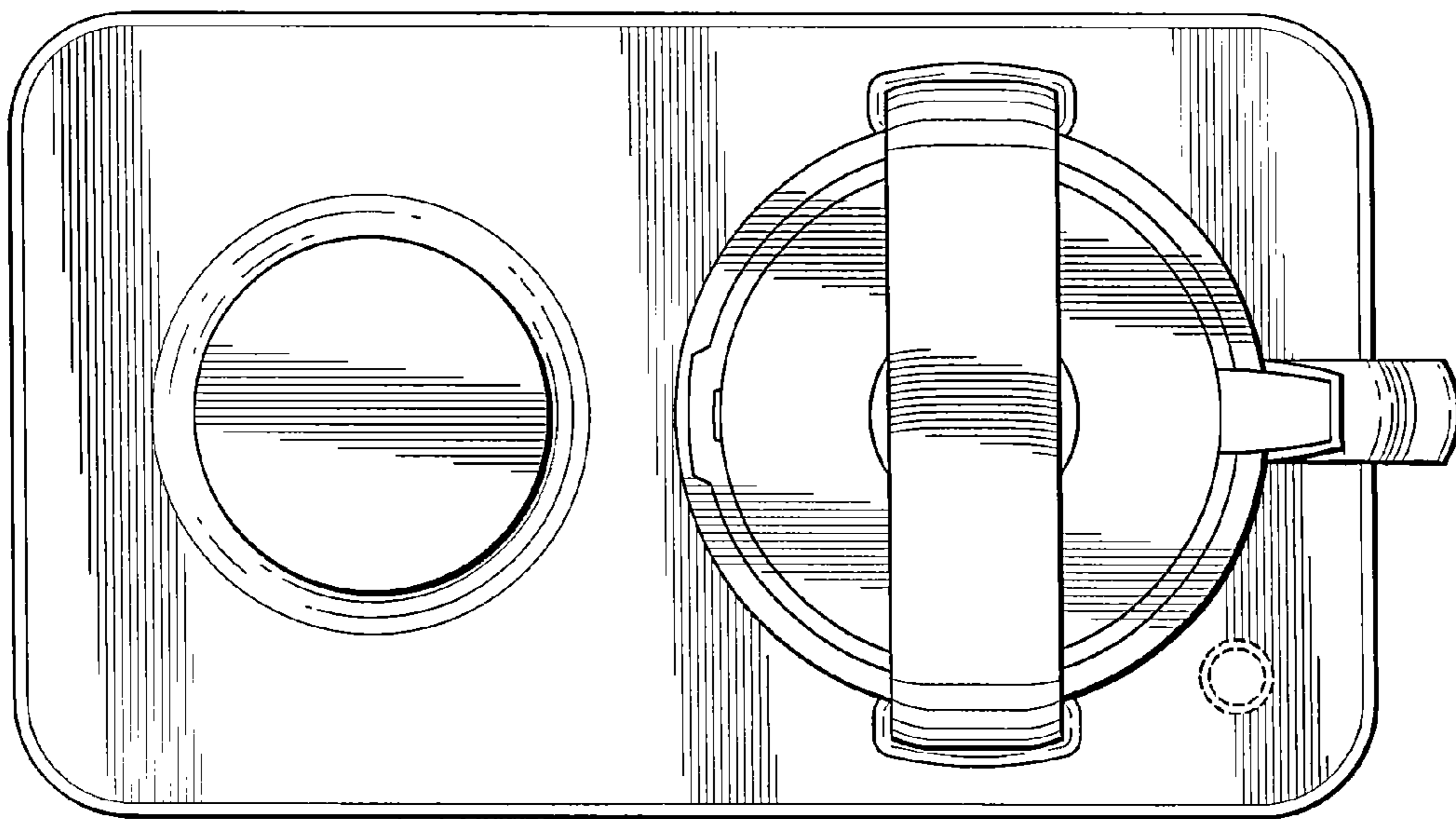


Fig. 6

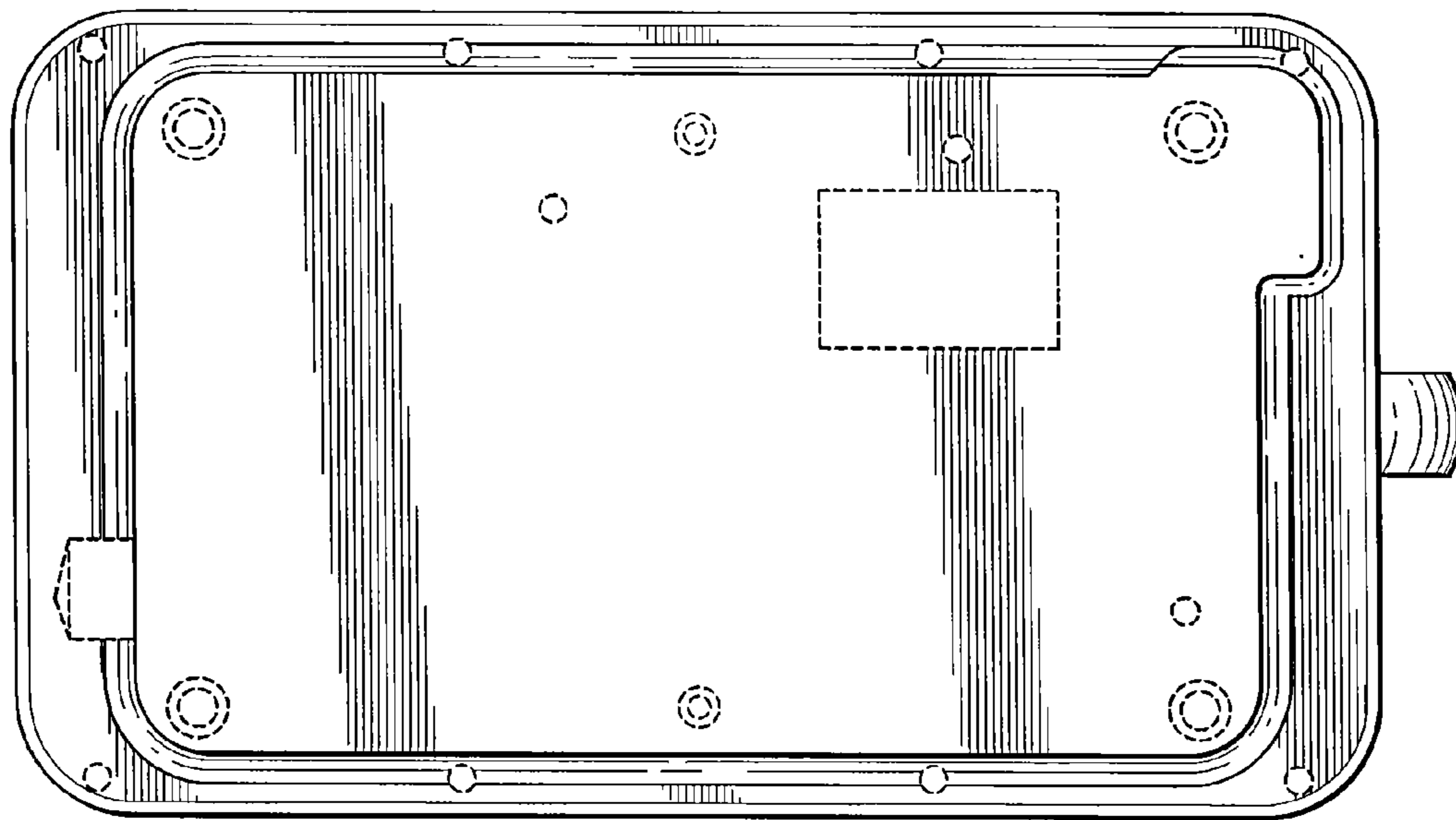


Fig. 7