



US00D718969S

(12) **United States Design Patent**  
**Hylton**

(10) **Patent No.:** **US D718,969 S**

(45) **Date of Patent:** **\*\* Dec. 9, 2014**

(54) **DUAL PATH MIXING STRAW**

FOREIGN PATENT DOCUMENTS

(76) Inventor: **Ricardo A. Hylton**, Hyland, CA (US)

CN 101756609 6/2010

\* cited by examiner

(\*\*) Term: **14 Years**

*Primary Examiner* — Cathron Brooks

*Assistant Examiner* — Sydney R Buffalow

(21) Appl. No.: **29/391,570**

(74) *Attorney, Agent, or Firm* — Kirk A. Buhler; Buhler & Associates

(22) Filed: **May 10, 2011**

(51) **LOC (10) Cl.** ..... **07-06**

(57) **CLAIM**

The ornamental design for a dual path mixing straw, as shown and described.

(52) **U.S. Cl.**

USPC ..... **D7/300.2**

(58) **Field of Classification Search**

USPC ..... D7/300.2; 215/229, 388, 389; 239/33, 239/16, 17, 24; 446/19

**DESCRIPTION**

See application file for complete search history.

FIG. 1 is a top side view for a dual path mixing straw showing my new design;

FIG. 2 is a bottom side view thereof;

FIG. 3 is a top perspective view thereof;

FIG. 4 is a front view thereof;

FIG. 5 is a left view thereof;

FIG. 6 is a back view thereof;

FIG. 7 is a right view thereof;

FIG. 8 is a front view with the lower ends opened thereof;

FIG. 9 is a front view with the lowed ends substantially opened thereof; and,

FIG. 10 is a top perspective view with the lower ends placed into a two chamber cup shown in an environment of use.

The broken lines in FIG. 10 depict environmental subject matter of a two chamber cup for the invention only and form no part of the claimed design.

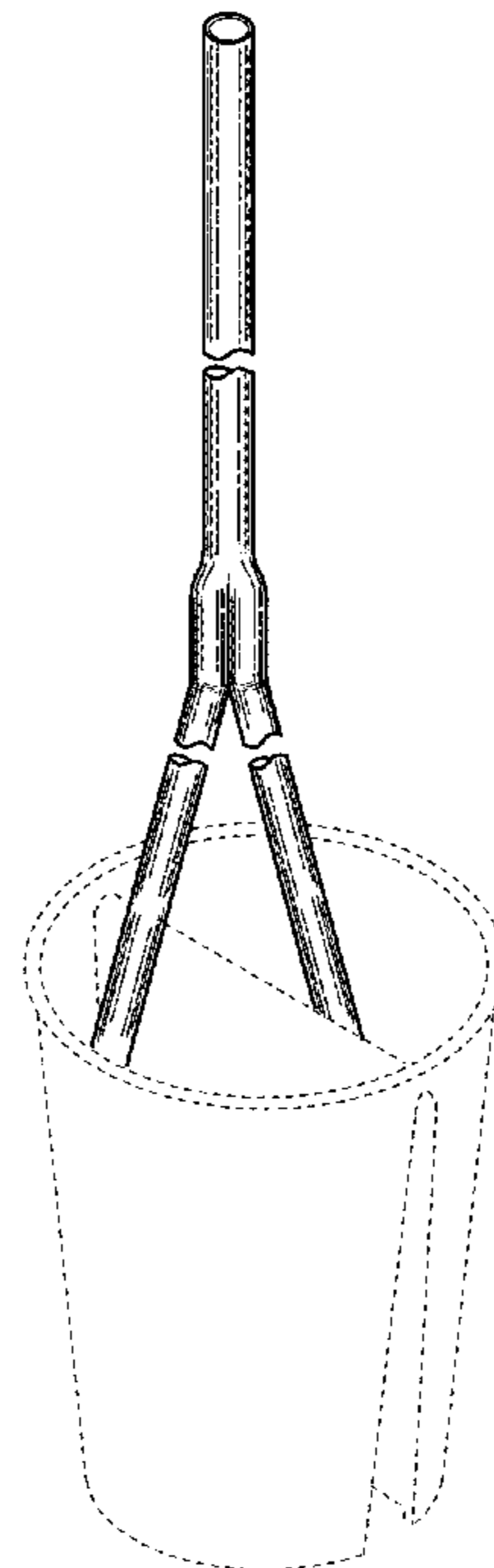
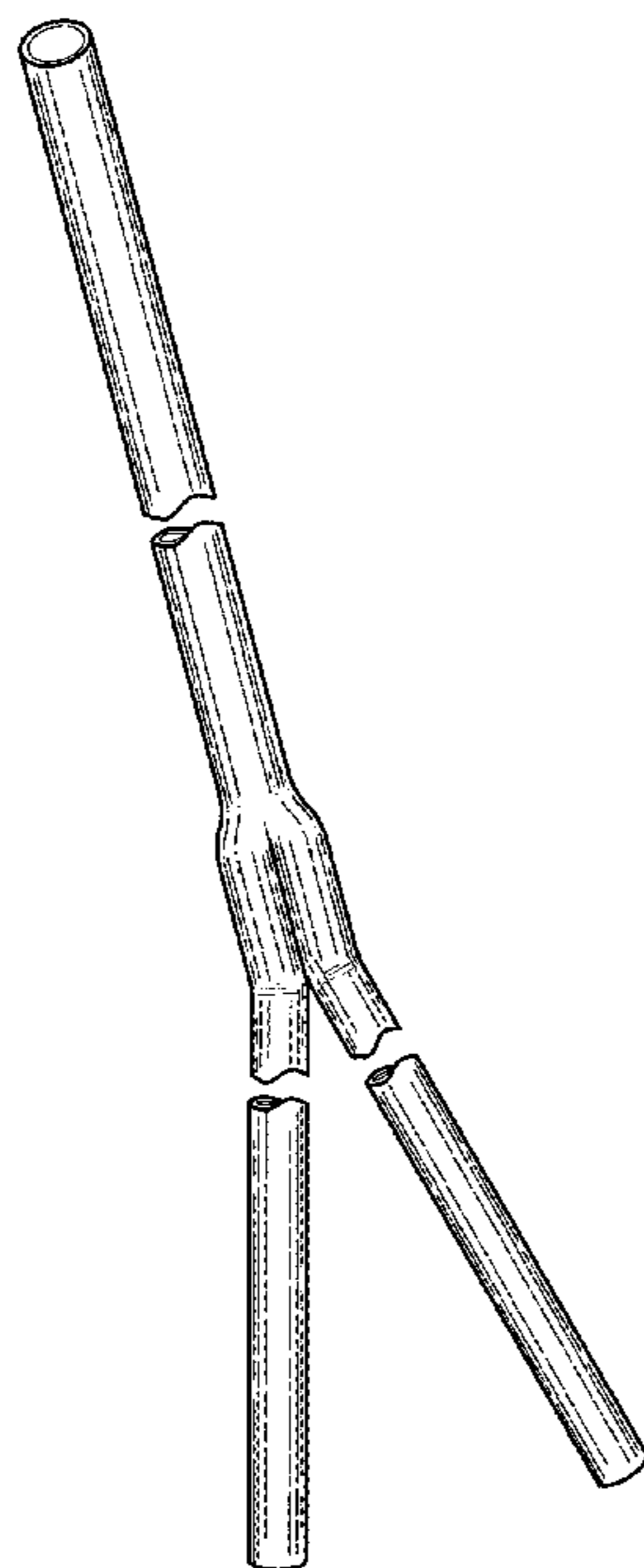
The broken away symbols in the drawings indicate the appearance of any portion of the article between the break lines forms no part of the claimed design.

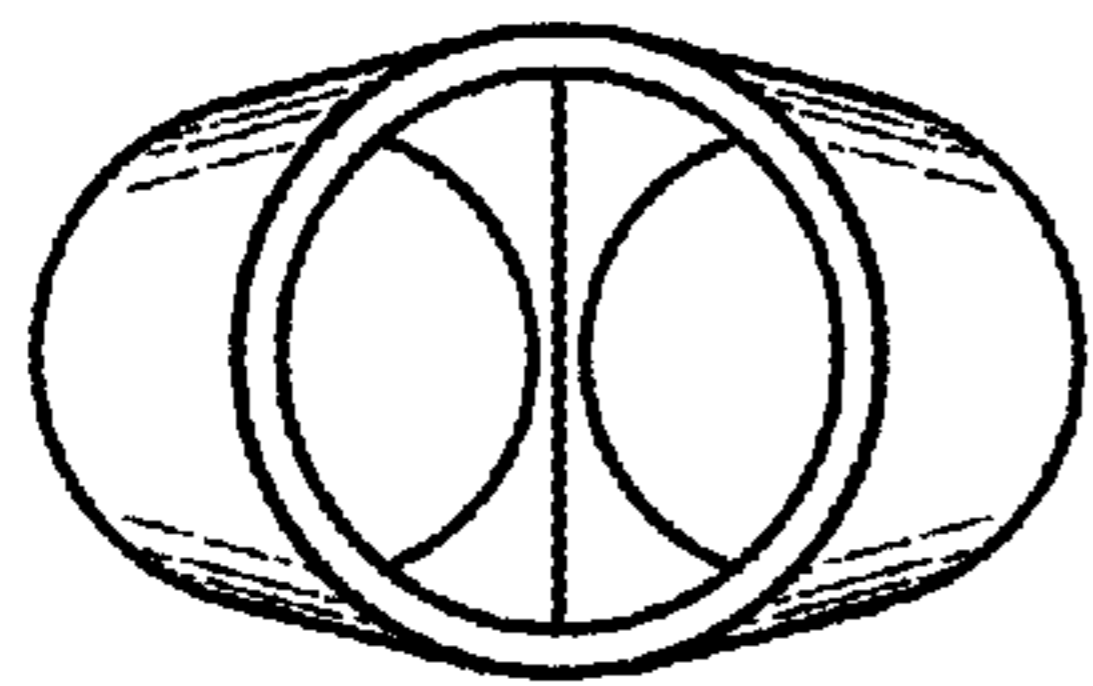
(56) **References Cited**

U.S. PATENT DOCUMENTS

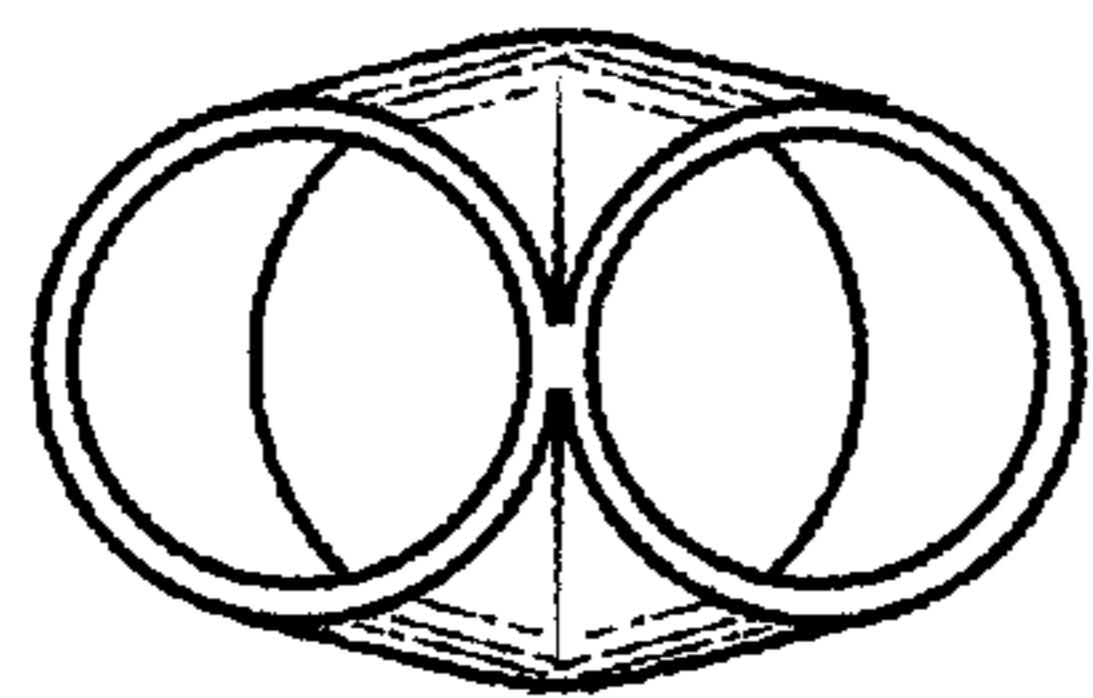
585,057	A	6/1897	Stone	
585,058	A	6/1897	Stone	
2,531,855	A	11/1950	Loptson	
D182,721	S	5/1958	Howes	
D199,661	S	12/1964	Rosen	
3,260,462	A	7/1966	Smaczny	
4,149,337	A *	4/1979	Habisohn	446/19
4,379,511	A	4/1983	del Fabro	
4,816,268	A	3/1989	Tsau	
5,125,534	A	6/1992	Rose et al.	
5,160,087	A *	11/1992	Mandell	239/33
D332,547	S *	1/1993	Lipson	D7/300.2
5,427,316	A	6/1995	Leone	
6,042,018	A	3/2000	Weinstein	
D477,493	S *	7/2003	Wang	D7/300.2
D658,923	S *	5/2012	Tankel	D7/300.2
2010/0314464	A1	12/2010	Markley	

**1 Claim, 5 Drawing Sheets**

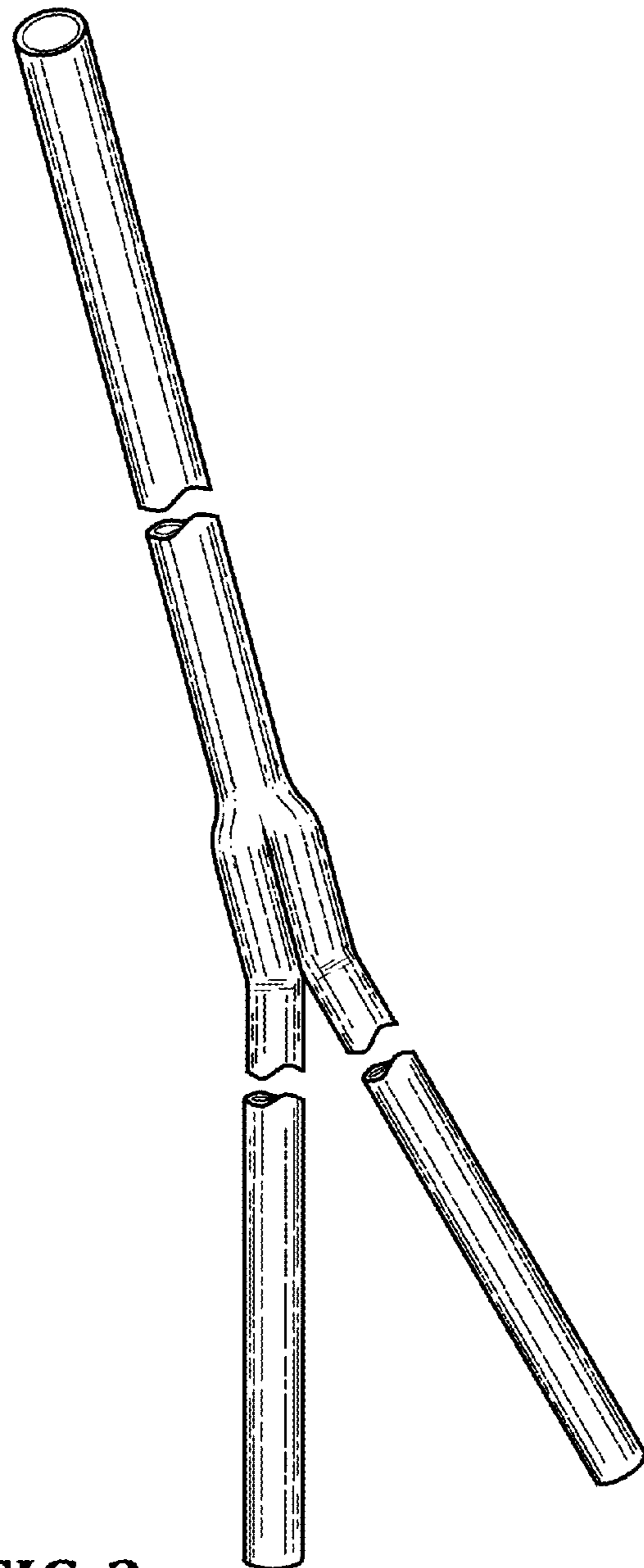




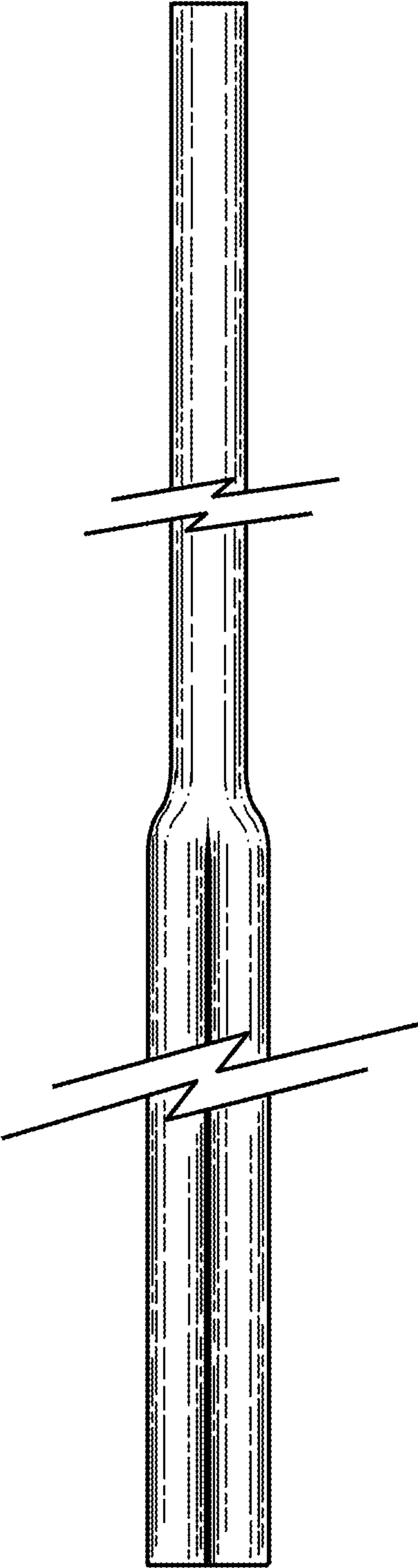
**FIG 1**



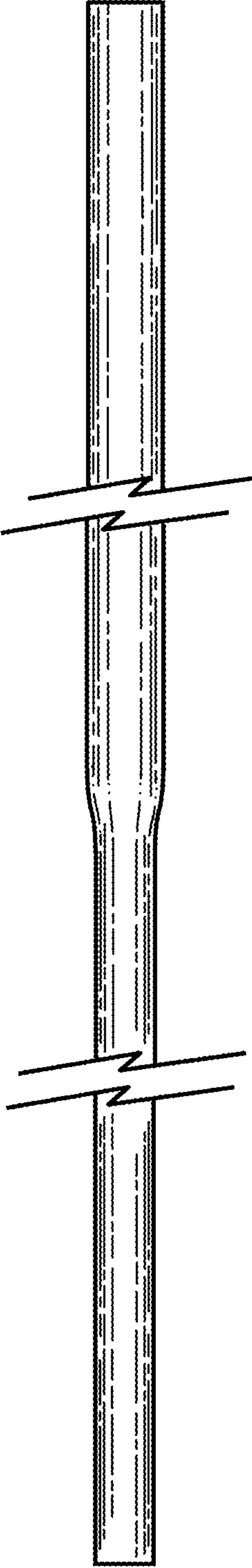
**FIG 2**



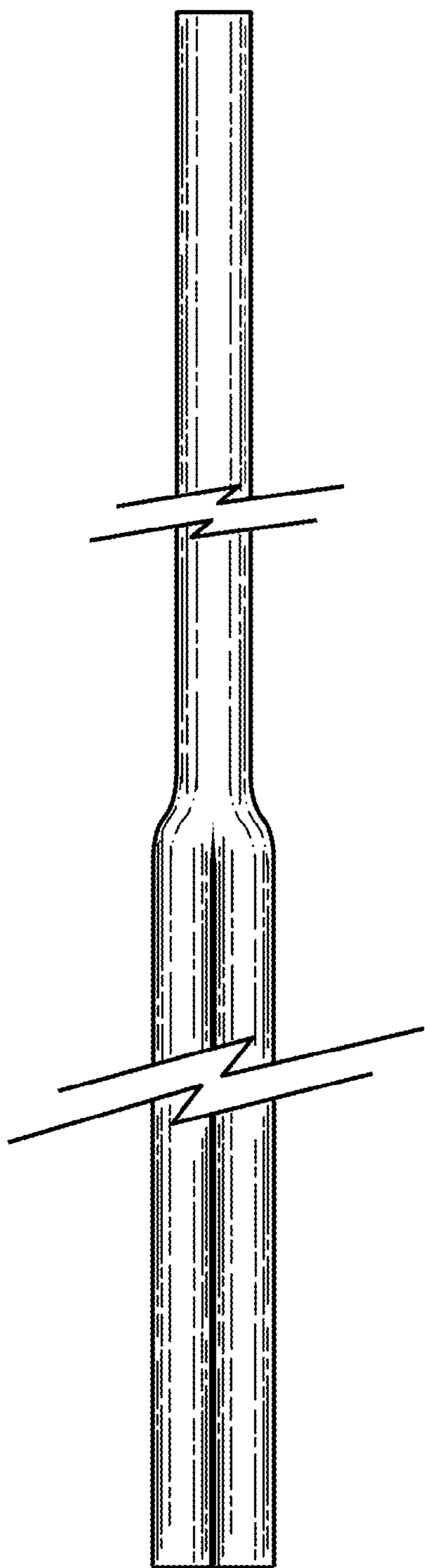
**FIG 3**



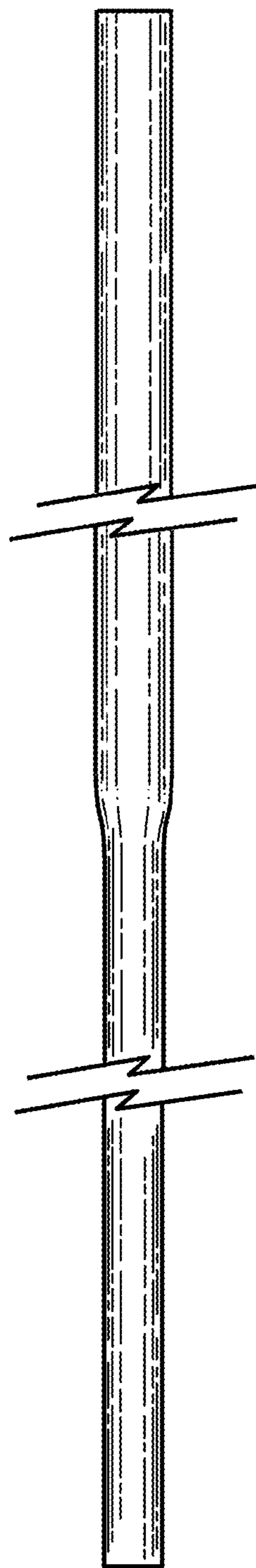
**FIG 4**



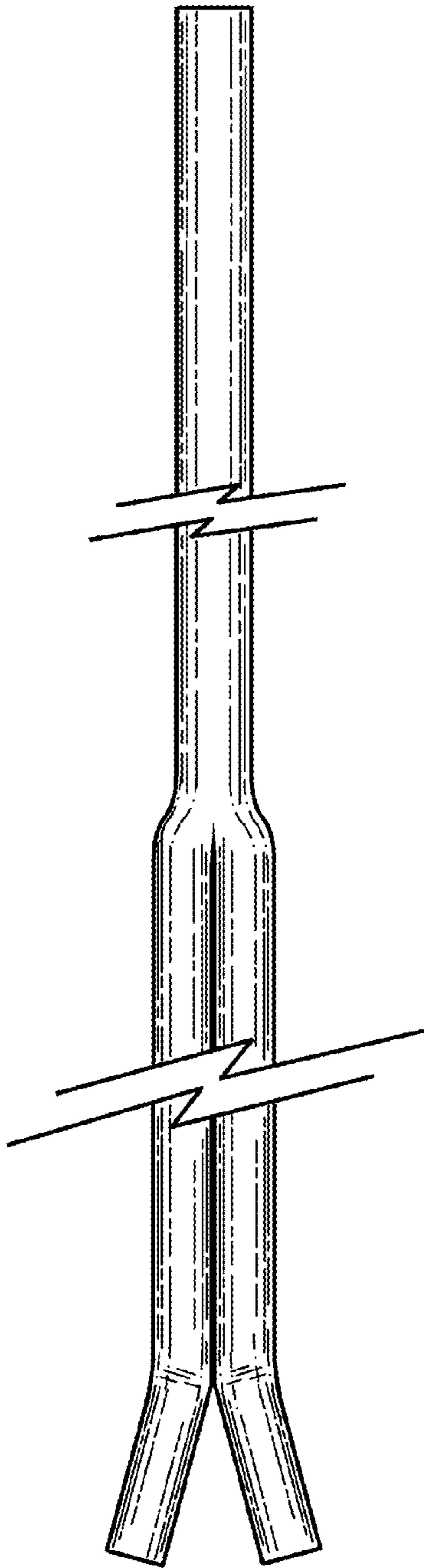
**FIG 5**



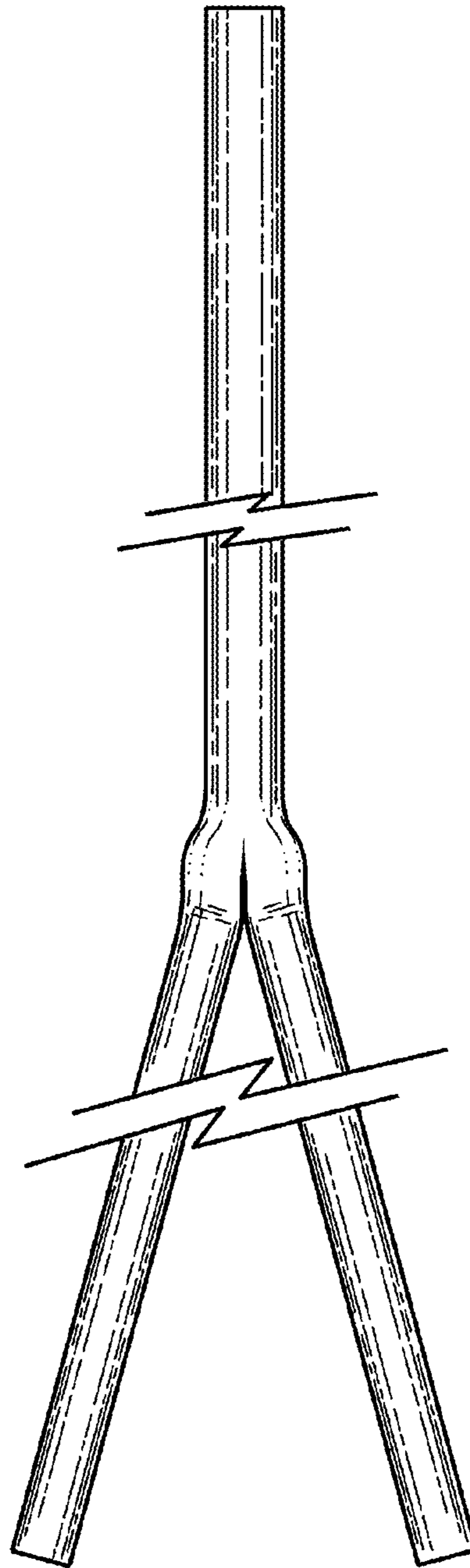
**FIG 6**



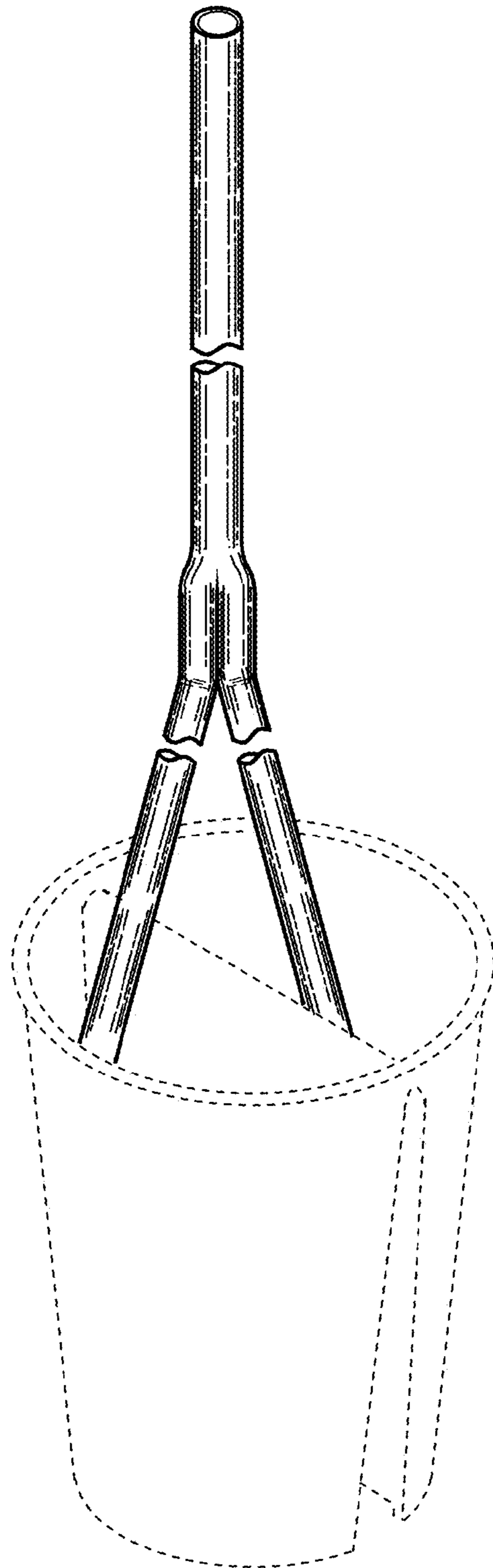
**FIG 7**



**FIG 8**



**FIG 9**



**FIG 10**