



US00D718968S

(12) **United States Design Patent**
Zakel

(10) **Patent No.:** **US D718,968 S**
(45) **Date of Patent:** **** Dec. 9, 2014**

- (54) **BED RAIL**
- (71) Applicant: **Invacare Corporation**, Elyria, OH (US)
- (72) Inventor: **Matthew A. Zakel**, Avon Lake, OH (US)
- (73) Assignee: **Invacare Corporation**, Elyria, OH (US)
- (**) Term: **14 Years**
- (21) Appl. No.: **29/489,750**
- (22) Filed: **May 2, 2014**

2003/0145385	A1 *	8/2003	Rabe	5/663
2006/0123543	A1 *	6/2006	DiLiberto	5/424
2007/0192957	A1 *	8/2007	Milam	5/424
2013/0097778	A1 *	4/2013	Serhan	5/430
2013/0160207	A1 *	6/2013	Wu	5/600

* cited by examiner

Primary Examiner — Janice Seeger

(74) *Attorney, Agent, or Firm* — Calfee, Halter & Griswold LLP

Related U.S. Application Data

- (62) Division of application No. 29/448,917, filed on Mar. 14, 2013, now Pat. No. Des. 708,467.
- (51) **LOC (10) Cl.** **06-06**
- (52) **U.S. Cl.**
USPC **D6/718.3**
- (58) **Field of Classification Search**
CPC A47C 31/00; A47C 21/03
USPC D6/382, 392, 718, 718.3; 5/600, 658,
5/424-426, 428, 429, 662
See application file for complete search history.

(57) **CLAIM**

I claim the ornamental design for a bed rail, as shown and described.

DESCRIPTION

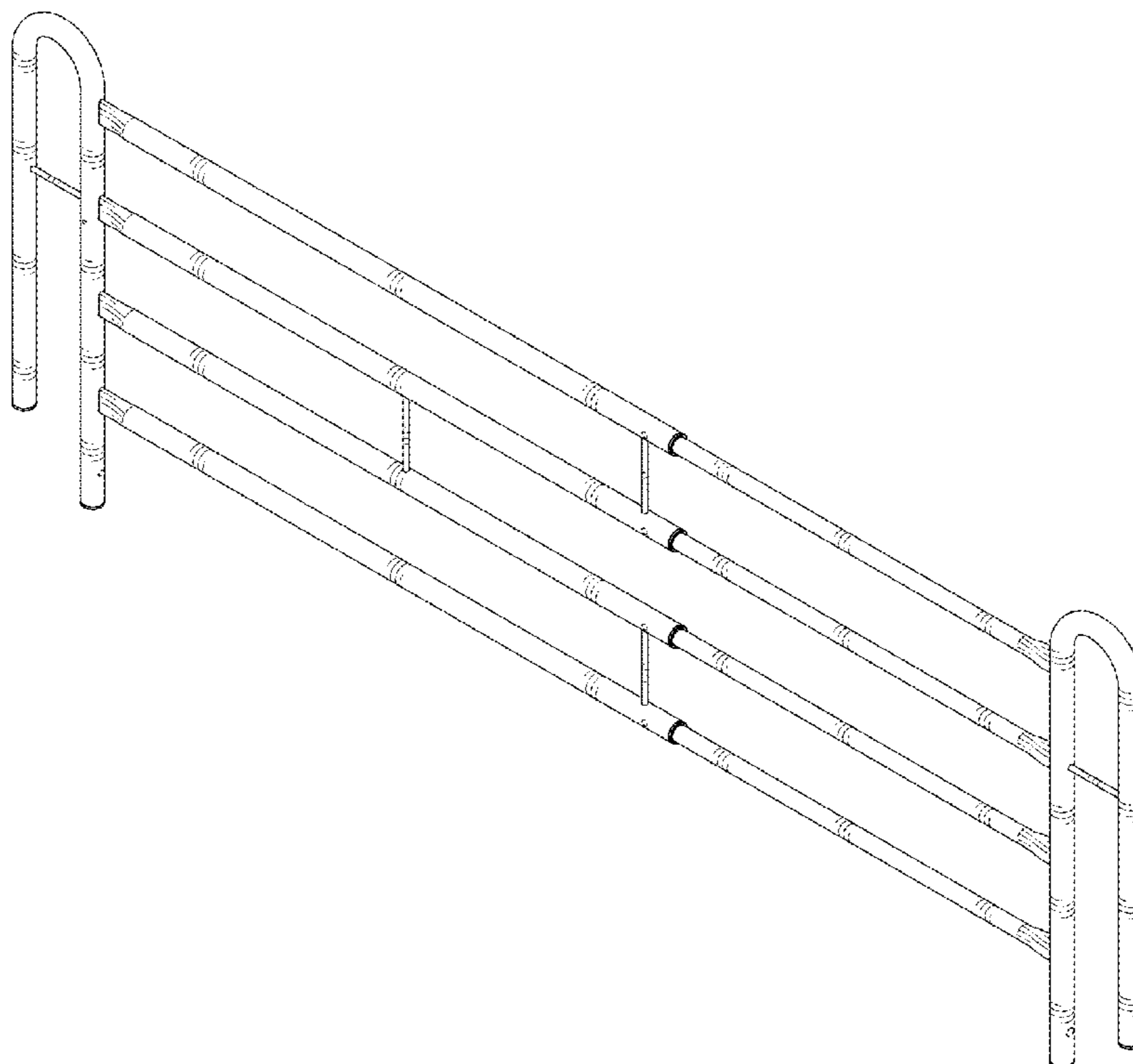
FIG. 1 is a front perspective view of a bed rail of the new design;
 FIG. 2 is a top plan view of the bed rail of FIG. 1;
 FIG. 3 is a front elevational view of the bed rail of FIG. 1;
 FIG. 4 is a bottom plan view of the bed rail of FIG. 1;
 FIG. 5 is a rear elevational view of the bed rail of FIG. 1;
 FIG. 6 is a left side elevational view of the bed rail of FIG. 1;
 and,
 FIG. 7 is a right side elevational view of the bed rail of FIG. 1.
 The portions of the Figures shown in broken lines are for illustrative purpose only and form no part of the claimed design.

(56) **References Cited**

U.S. PATENT DOCUMENTS

3,624,847	A *	12/1971	Murcott et al.	5/429
8,387,180	B1 *	3/2013	Rizzardo	5/429

1 Claim, 3 Drawing Sheets



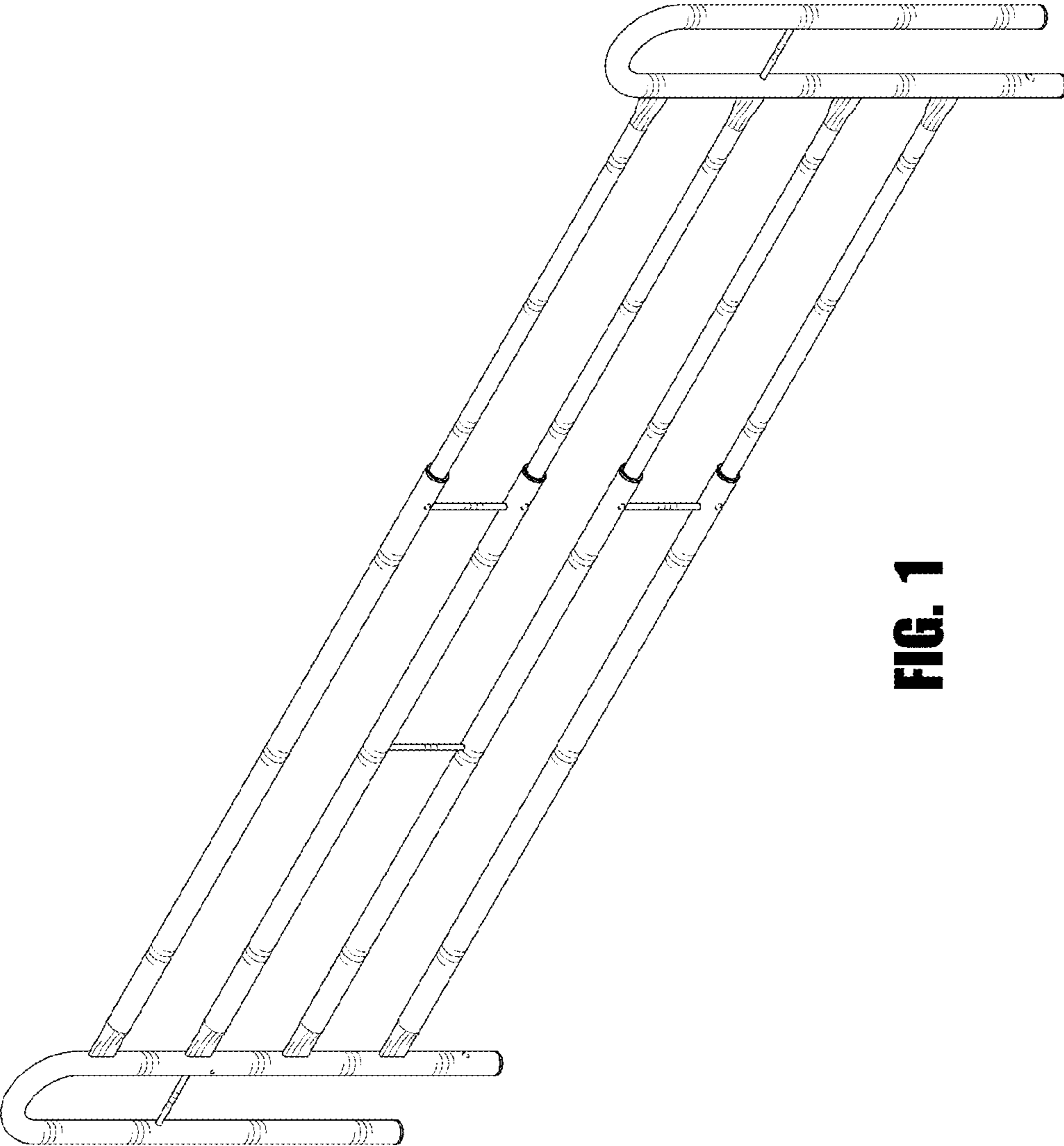


FIG. 1



FIG. 2

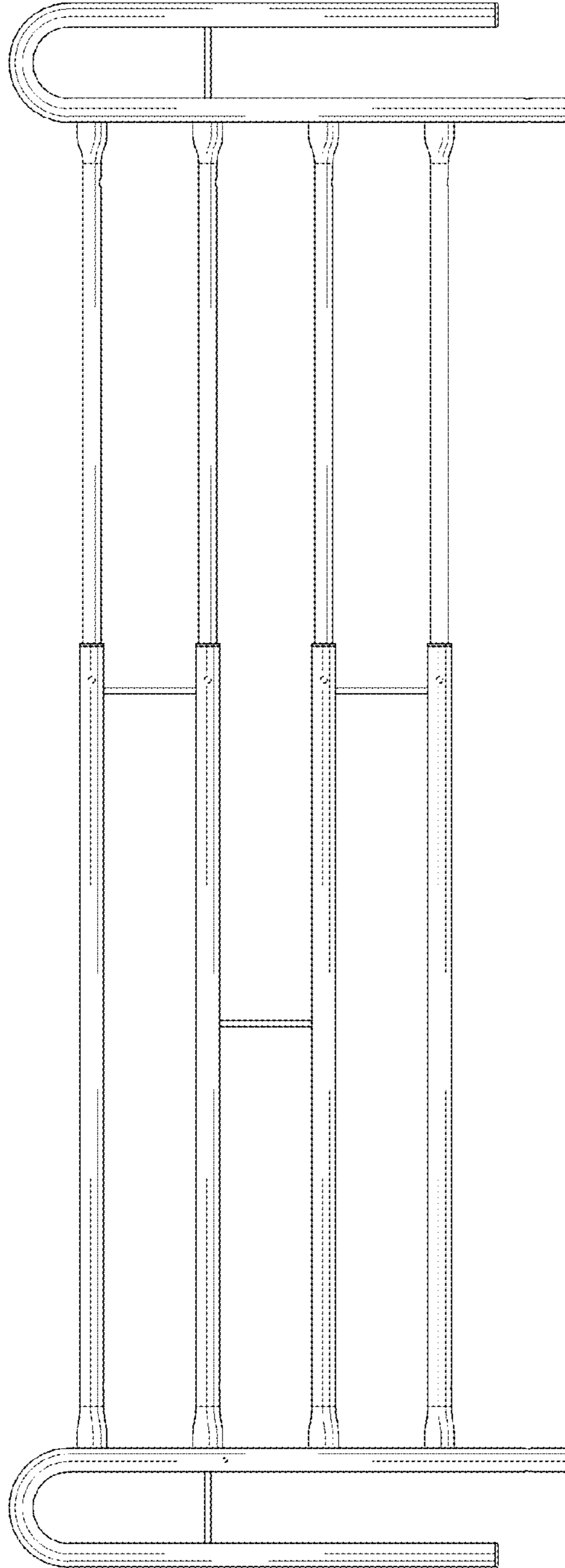


FIG. 3

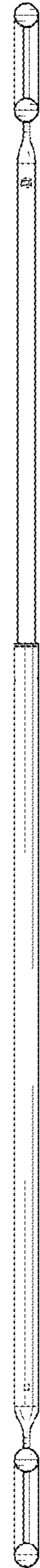


FIG. 4

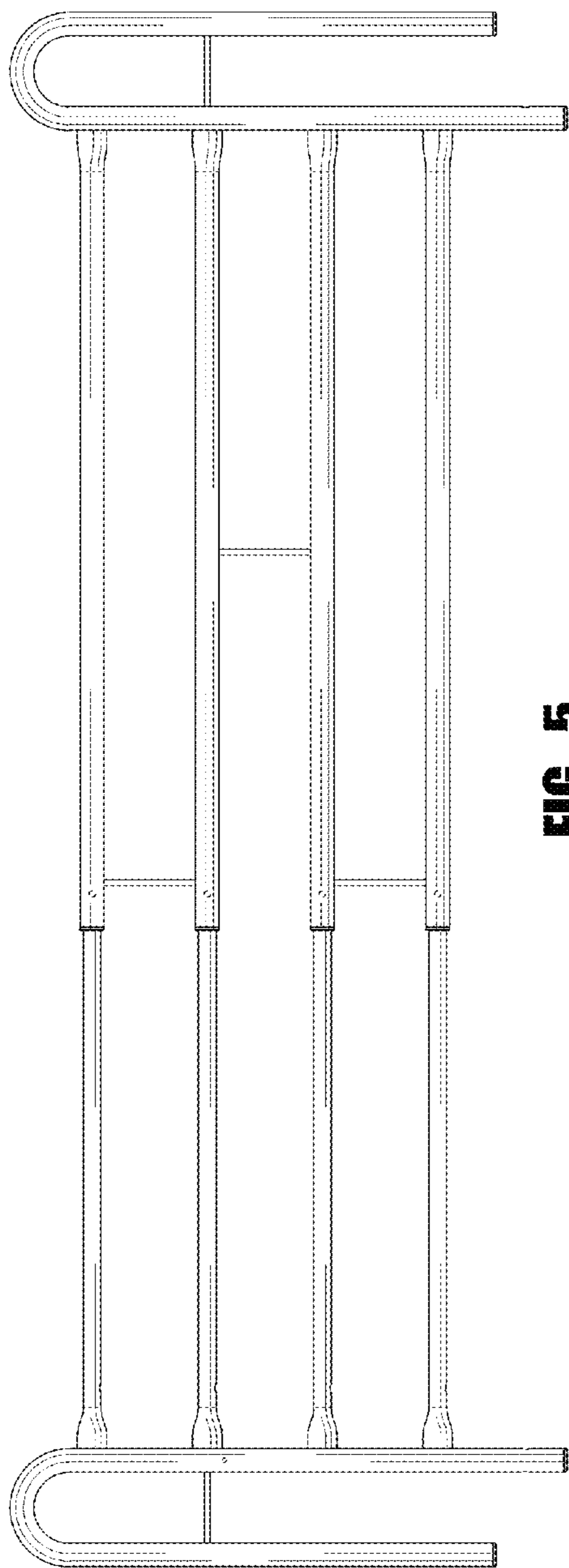


FIG. 5

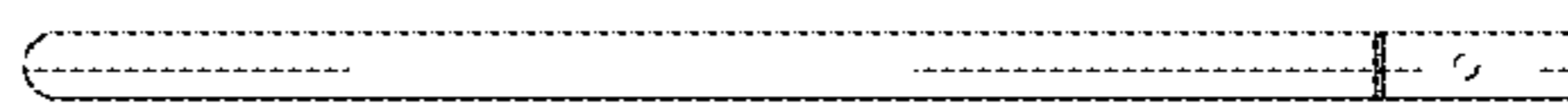


FIG. 7

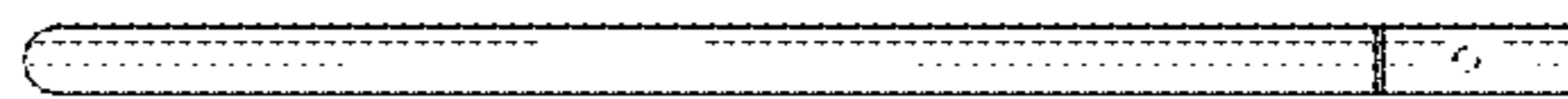


FIG. 6