



US00D718965S

(12) **United States Design Patent**
Morrow

(10) **Patent No.:** **US D718,965 S**
(45) **Date of Patent:** **** Dec. 9, 2014**

(54) **BAR COUNTER**

(71) Applicant: **Scott Morrow**, Grand Island, NY (US)

(72) Inventor: **Scott Morrow**, Grand Island, NY (US)

(**) Term: **14 Years**

(21) Appl. No.: **29/444,307**

(22) Filed: **Jan. 29, 2013**

(51) **LOC (10) Cl.** **06-04**

(52) **U.S. Cl.**
USPC **D6/699.1**

(58) **Field of Classification Search**
USPC D6/699, 699.1, 699.2, 699.3, 696.1;
312/140.1, 140.2, 278, 236
See application file for complete search history.

(56) **References Cited**

U.S. PATENT DOCUMENTS

2,165,930	A *	7/1939	Levine et al.	312/140.1
D139,893	S *	1/1945	Roberts et al.	D6/481
D255,516	S *	6/1980	Pittman	D6/430
D256,639	S	9/1980	Lee, III et al.		
D258,478	S	3/1981	Zola		
D264,784	S *	6/1982	Johnson	D6/451

D375,216	S *	11/1996	Intardonato	D6/481
D448,391	S	9/2001	Stauffer et al.		
D458,057	S *	6/2002	Nichols	D6/481
D552,380	S *	10/2007	Lowsky	D6/481
D627,176	S	11/2010	Lin		
D648,154	S	11/2011	Demars		
2006/0202594	A1 *	9/2006	DeMars	312/140.2

* cited by examiner

Primary Examiner — Janice Seeger

(74) *Attorney, Agent, or Firm* — Vincent G. LoTempio;
David Stephenson; Kloss, Stenger & LoTempio

(57) **CLAIM**

The ornamental design for a bar counter, as shown and described.

DESCRIPTION

FIG. 1 is a front perspective view of a bar counter.
FIG. 2 is a top plan view of my design.
FIG. 3 is a right side view of my design. The right side view is a mirror image of the left side view of my design;
FIG. 4 is a front plan view of my design;
FIG. 5 is rear view of my design; and,
FIG. 6 is a rear perspective view of my design.

1 Claim, 2 Drawing Sheets

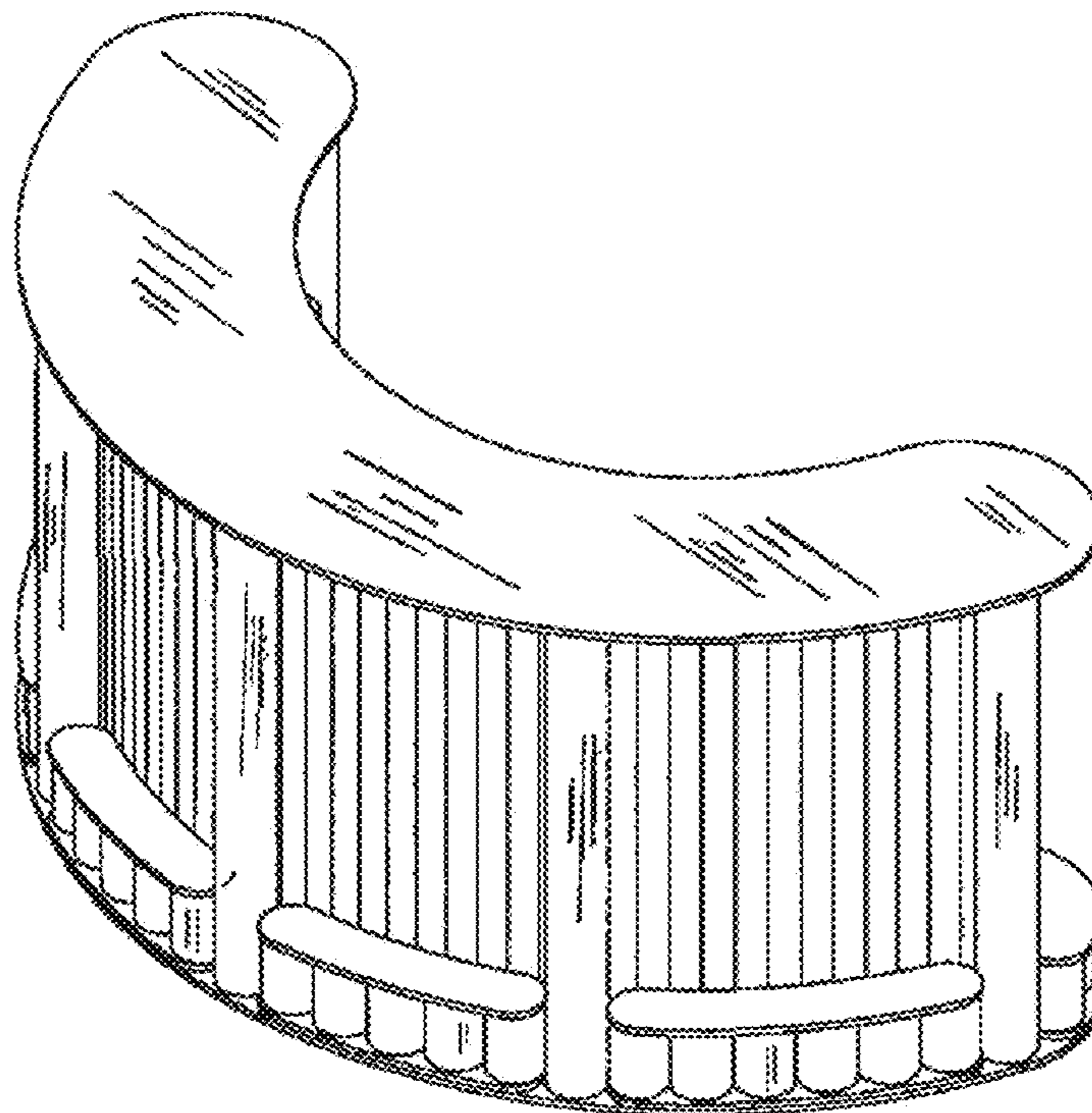


FIG. 1

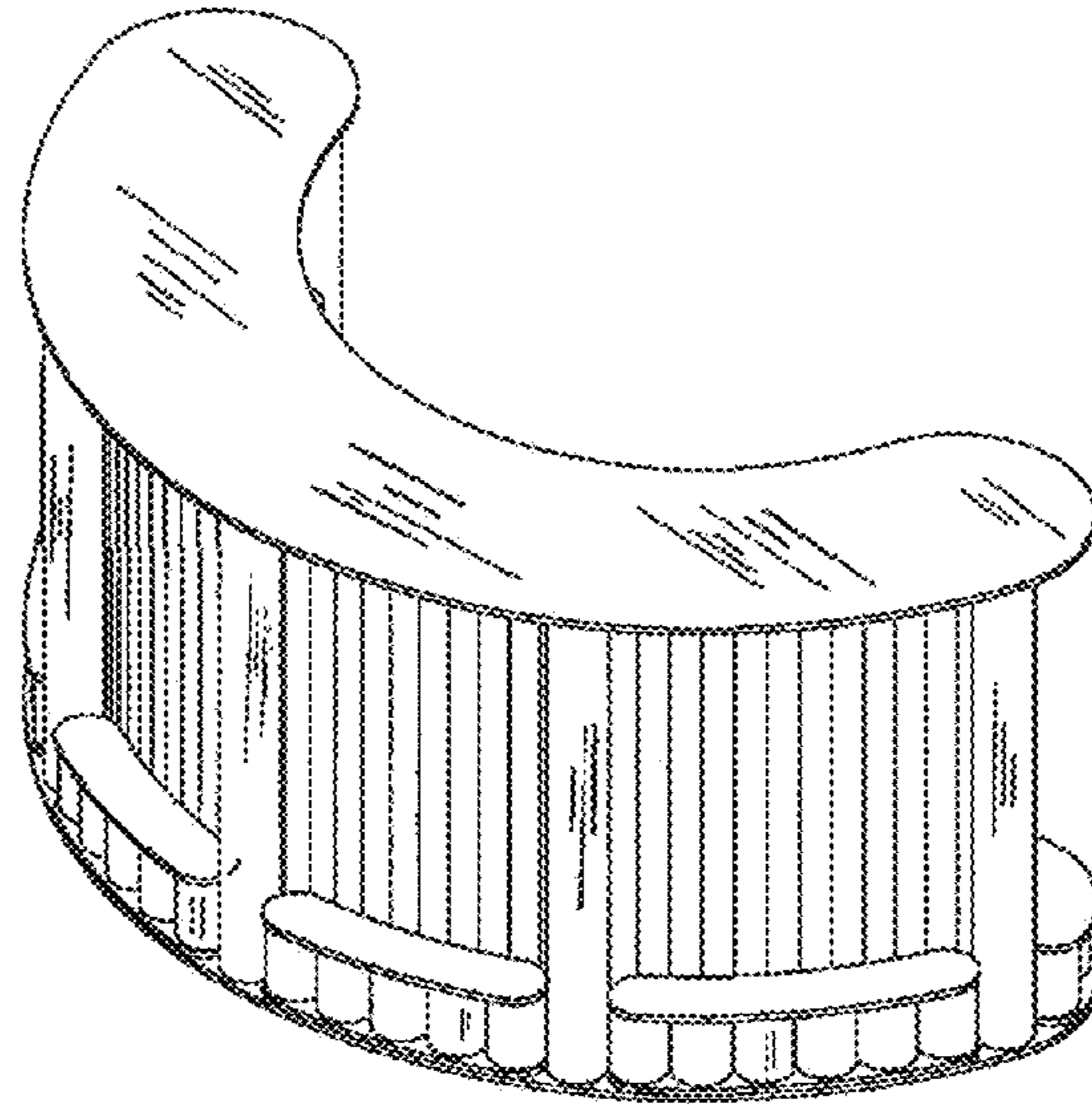


FIG. 2

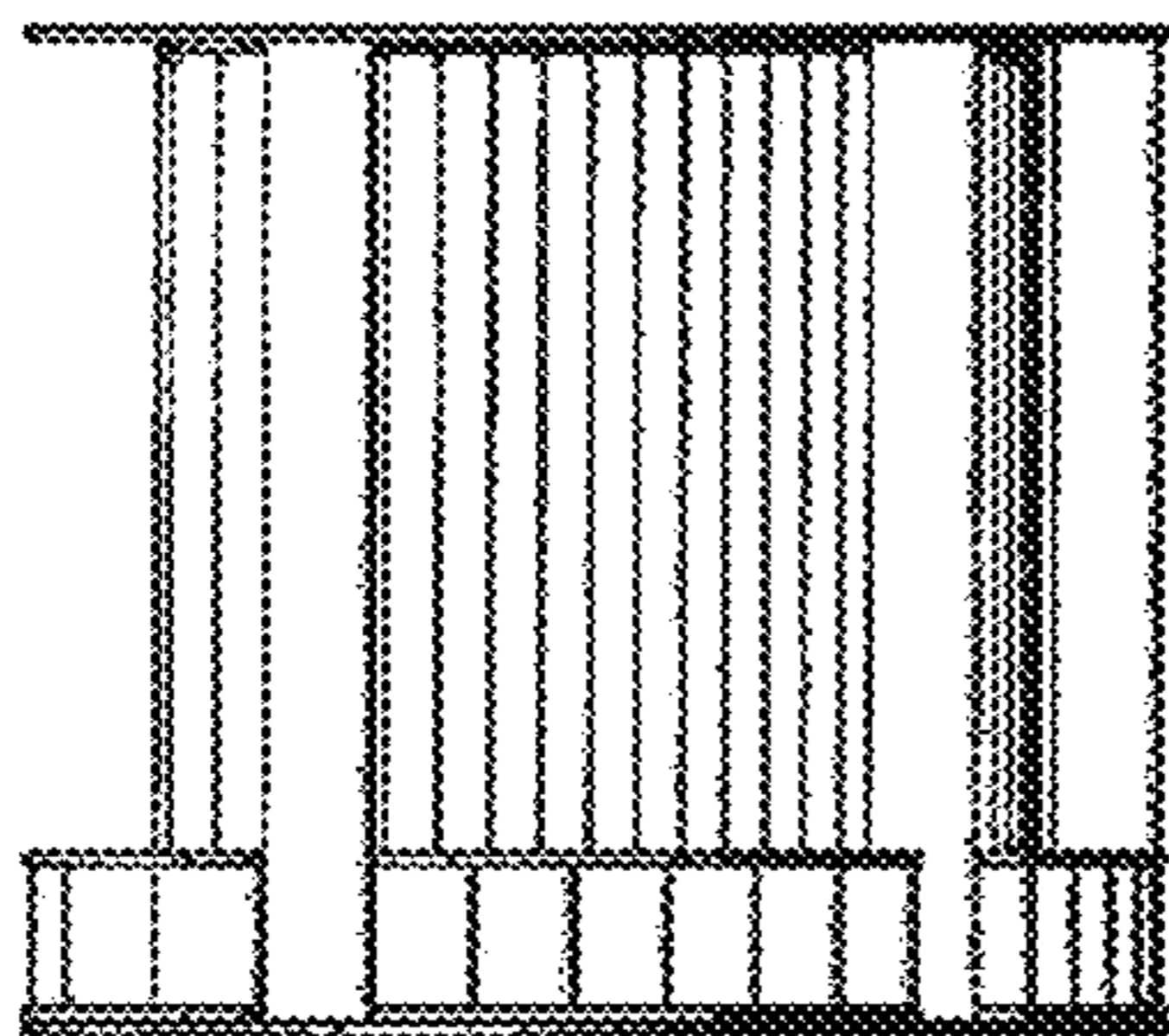
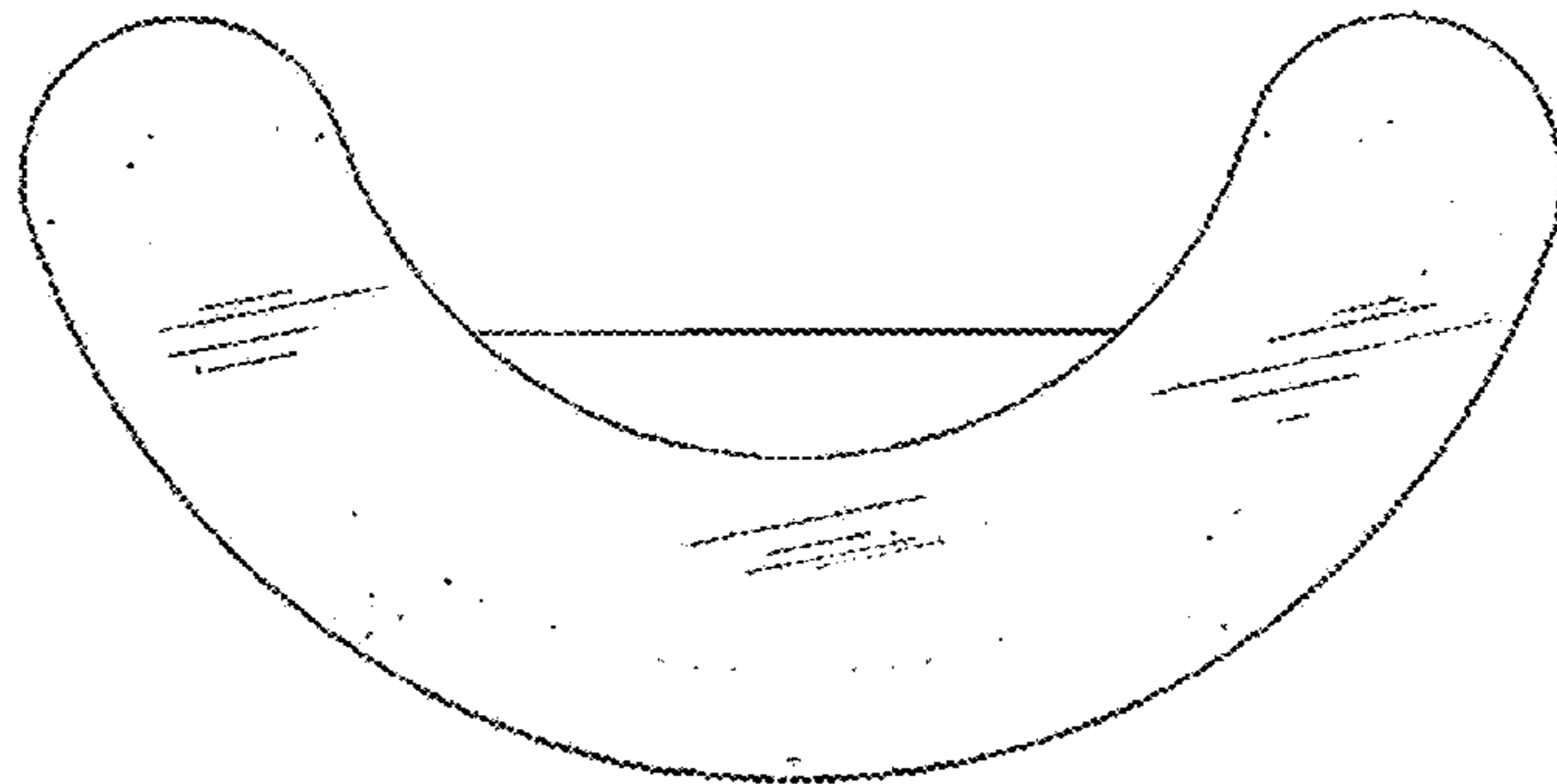


FIG. 3

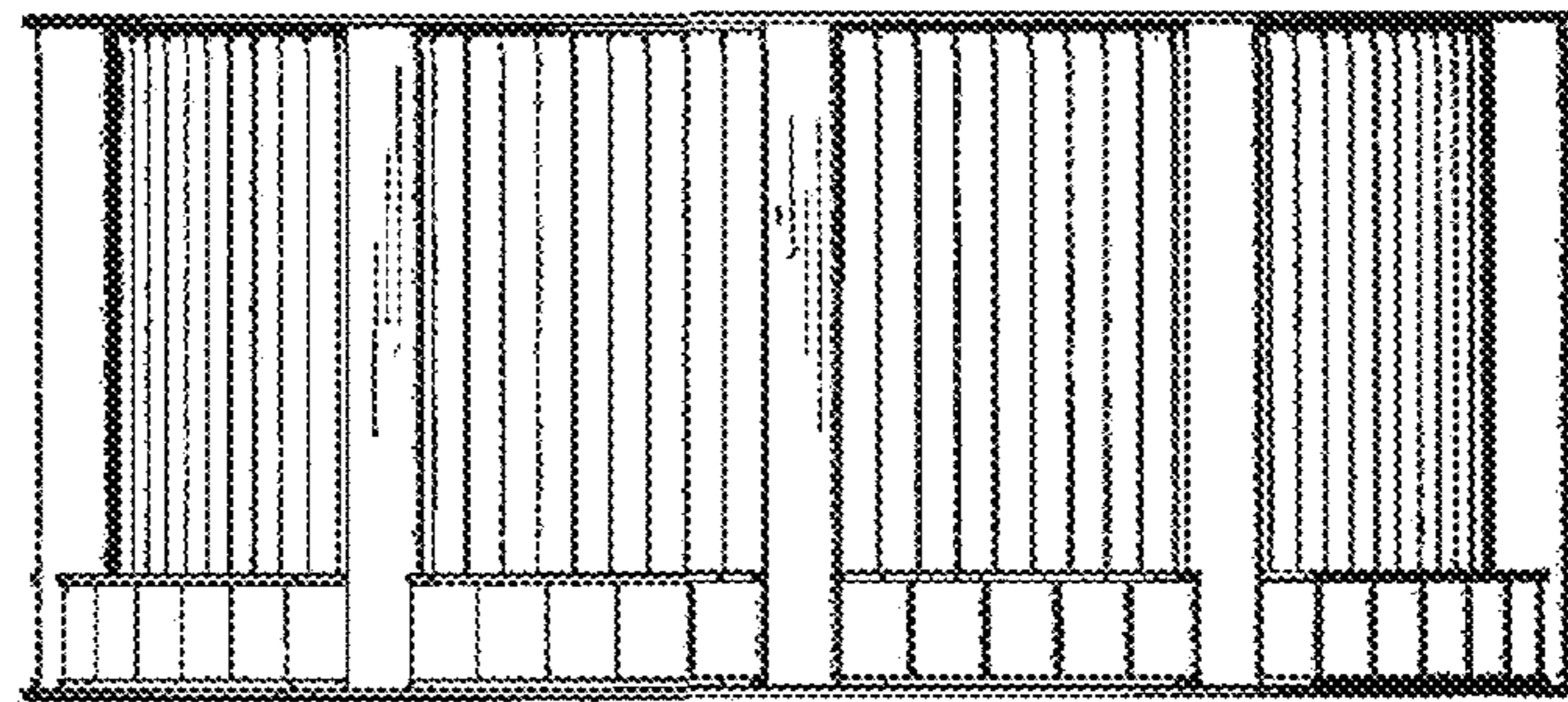


FIG. 4

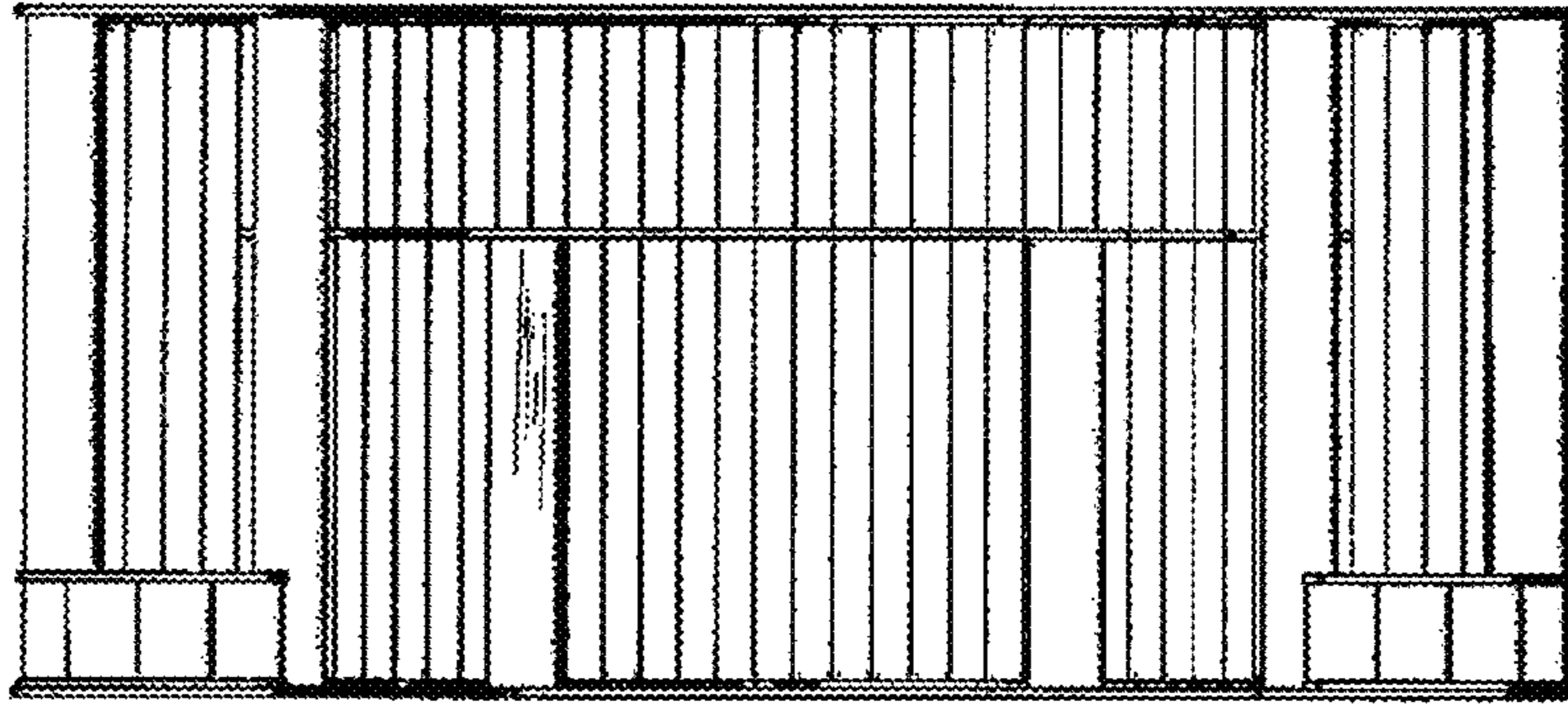


FIG. 5

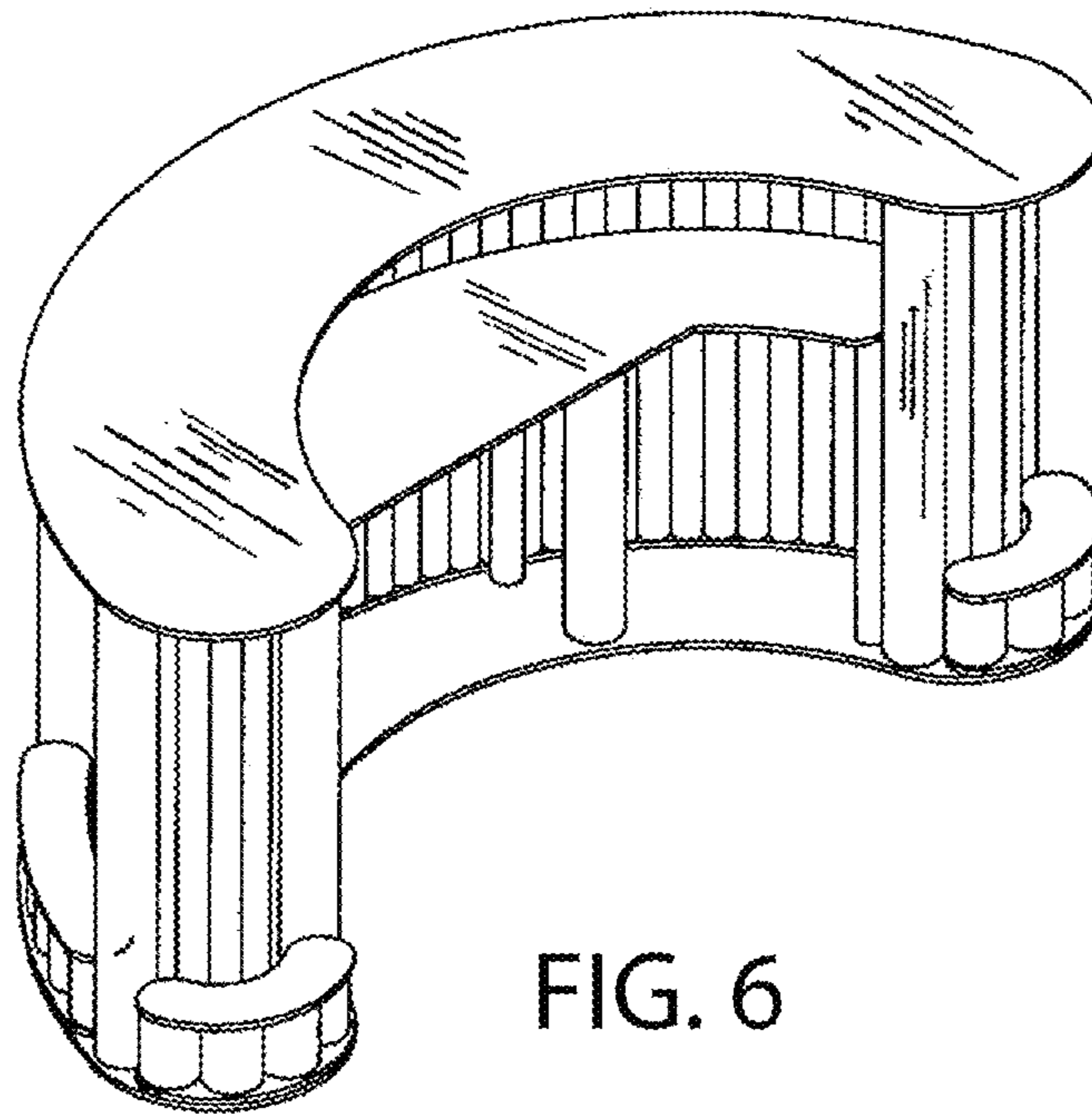


FIG. 6