



US00D718964S

(12) **United States Design Patent**
McDonough et al.

(10) **Patent No.:** **US D718,964 S**

(45) **Date of Patent:** **** Dec. 9, 2014**

(54) **CAMPING ORGANIZER**

(75) Inventors: **James M. McDonough**, Bradford, PA (US); **Brian Barber**, Cyclone, PA (US); **Howard Tripp, II**, Plymouth, MN (US); **Neal Barnes**, Medina, MN (US)

(73) Assignee: **Zippo Manufacturing Company**, Bradford, PA (US)

(**) Term: **14 Years**

(21) Appl. No.: **29/419,392**

(22) Filed: **Apr. 27, 2012**

(51) **LOC (10) Cl.** **06-06**

(52) **U.S. Cl.**
USPC **D6/682.5**

(58) **Field of Classification Search**
USPC D6/419, 406.1, 449, 462, 466, 469, 475, D6/486, 675, 678, 678.4, 681, 681.1, 682, D6/682.5; 248/165, 167, 453, 460, 284.1, 248/129, 678.4; 211/13.1; 108/115, 139, 108/144.11, 146, 147.19

See application file for complete search history.

(56) **References Cited**

U.S. PATENT DOCUMENTS

D279,444 S *	7/1985	McDonald	D6/511
4,645,081 A *	2/1987	Korth	211/196
D298,193 S *	10/1988	Carlson	D6/462
D341,276 S *	11/1993	Jones	D6/457
D344,645 S *	3/1994	Yarbray	D6/417
5,425,313 A *	6/1995	Rowan	108/65
D383,568 S *	9/1997	Giedd	D28/73
D408,172 S *	4/1999	Nobili	D6/469

D453,883 S *	2/2002	Conde	D6/455
D462,711 S *	9/2002	Arsala	D17/22
D474,919 S *	5/2003	Smith	D6/415
D476,168 S *	6/2003	Forrest	D6/417
7,159,728 B2 *	1/2007	Smith	211/166
D569,201 S *	5/2008	Grady	D7/704
D585,661 S *	2/2009	Betts	D6/411
D615,334 S *	5/2010	Ghiorghie	D6/534
D622,990 S *	9/2010	Yang et al.	D6/525
D634,566 S *	3/2011	Gonnelli	D6/469
D638,637 S *	5/2011	Foley	D6/429
D642,402 S *	8/2011	Rickard	D6/417
D674,621 S *	1/2013	Sinotte et al.	D6/515
D677,939 S *	3/2013	Correa et al.	D6/680.3
D683,975 S *	6/2013	Starck	D6/349
2013/0087516 A1 *	4/2013	Kowalewski et al.	211/13.1

* cited by examiner

Primary Examiner — Kelley Donnelly

(74) *Attorney, Agent, or Firm* — Squire Patton Boggs (US) LLP

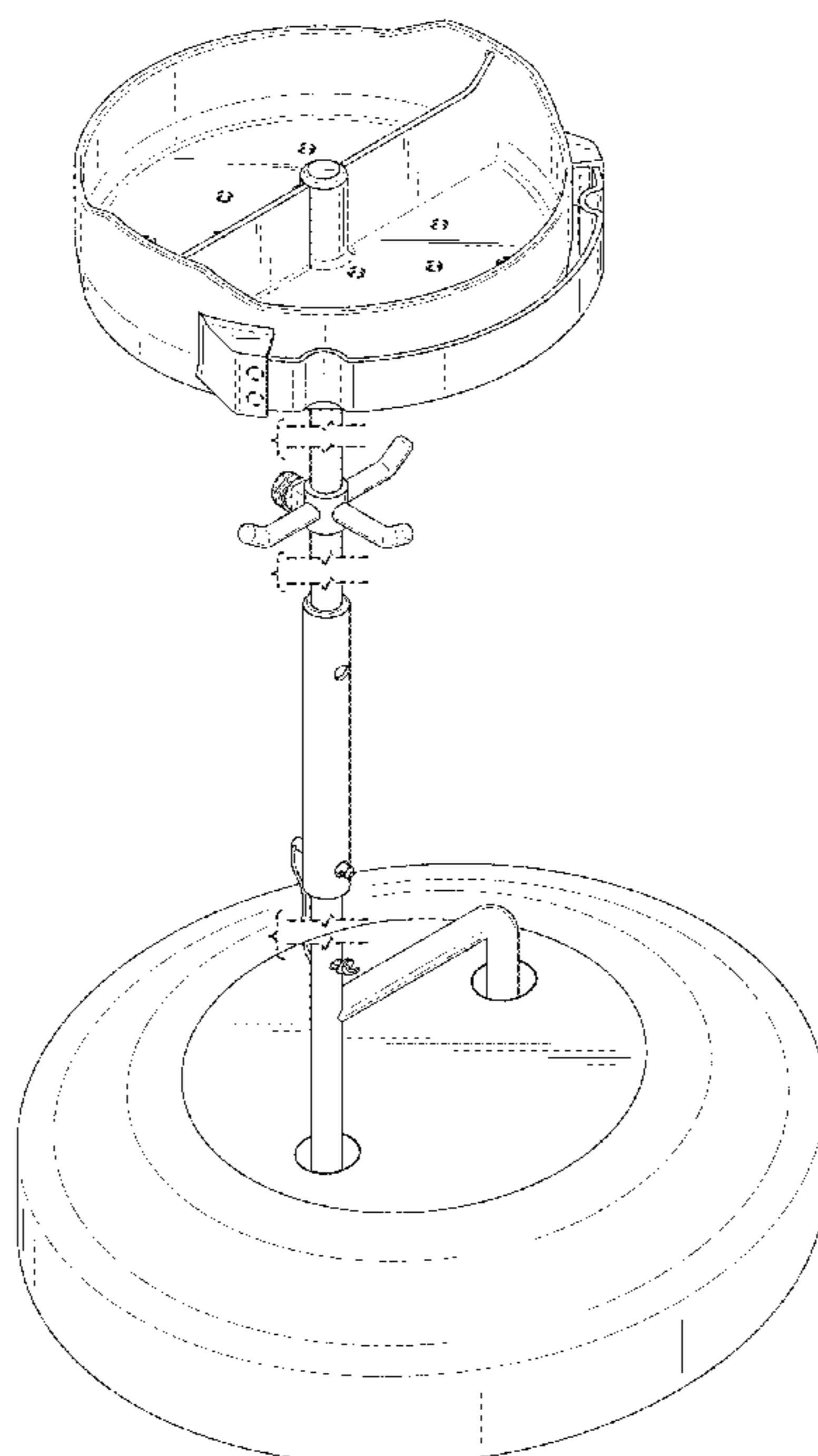
(57) **CLAIM**

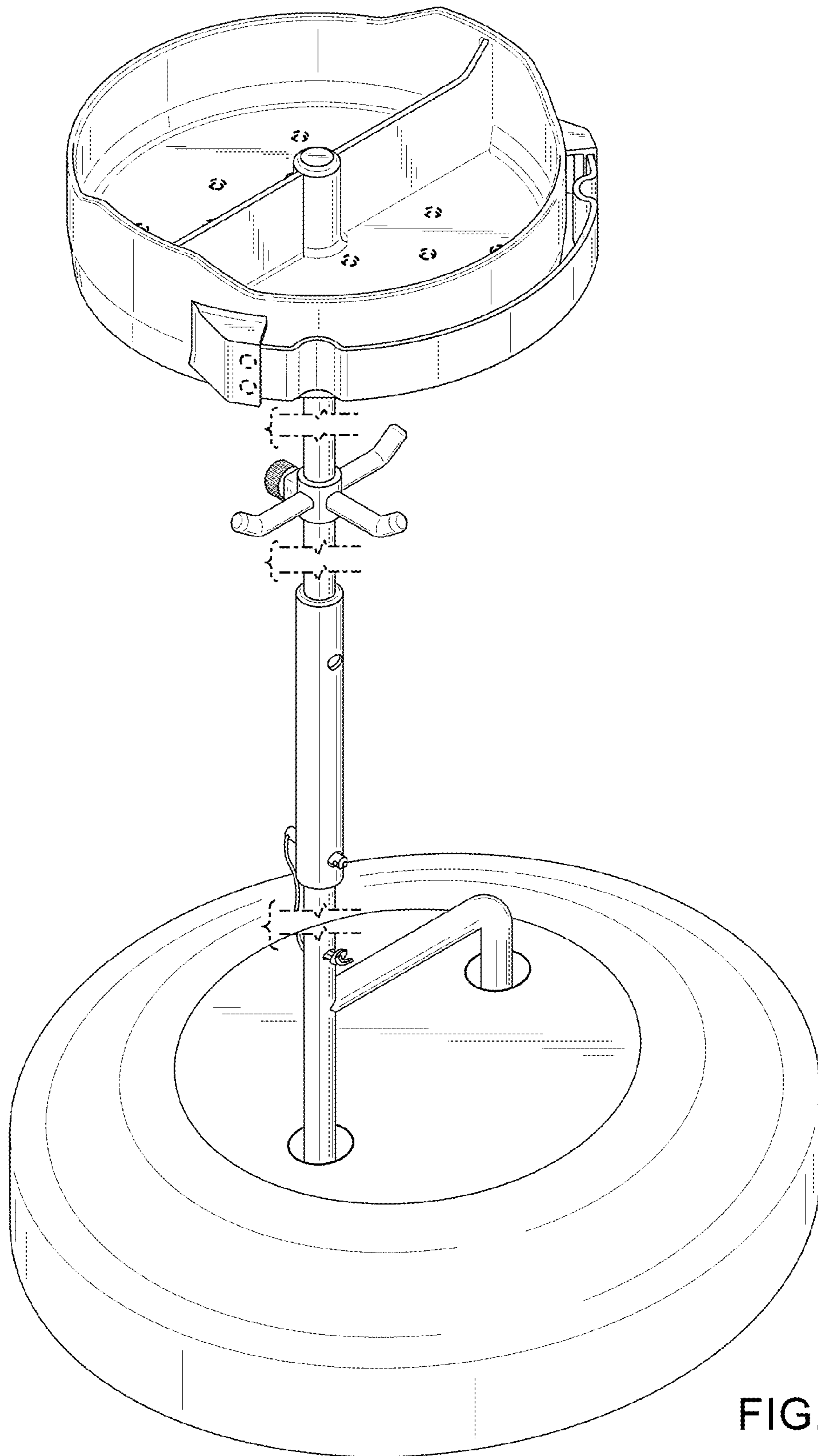
The ornamental design for a camping organizer, as shown and described.

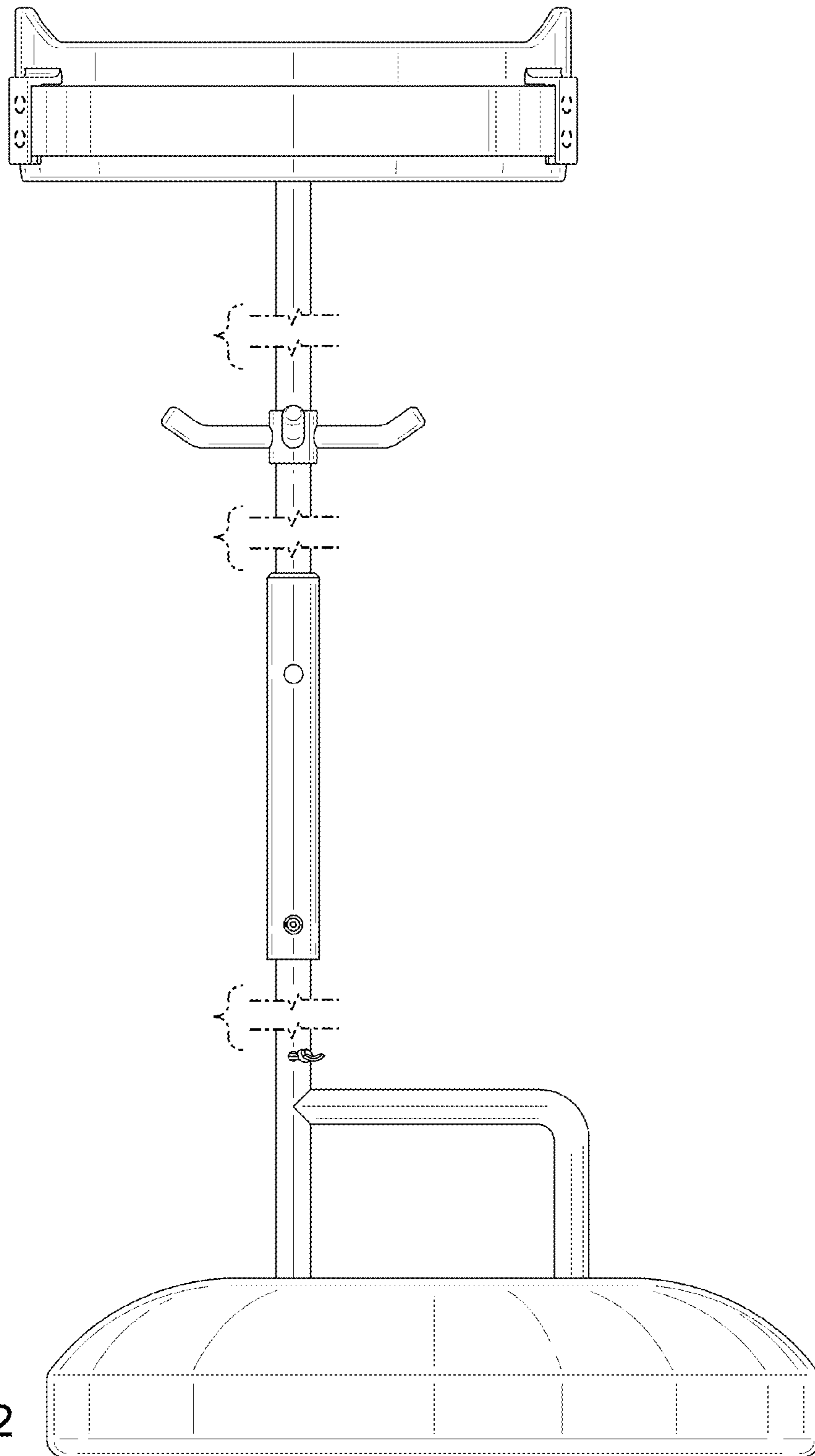
DESCRIPTION

FIG. 1 is a plan view of a camping organizer showing our new design;
FIG. 2 is a side view of the camping organizer;
FIG. 3 is an alternate side view;
FIG. 4 is a second alternate side view;
FIG. 5 is a third alternate side view;
FIG. 6 is a top view of the camping organizer;
FIG. 7 is a bottom view of the camping organizer; and,
FIG. 8 is an alternate plan view thereof.

1 Claim, 8 Drawing Sheets







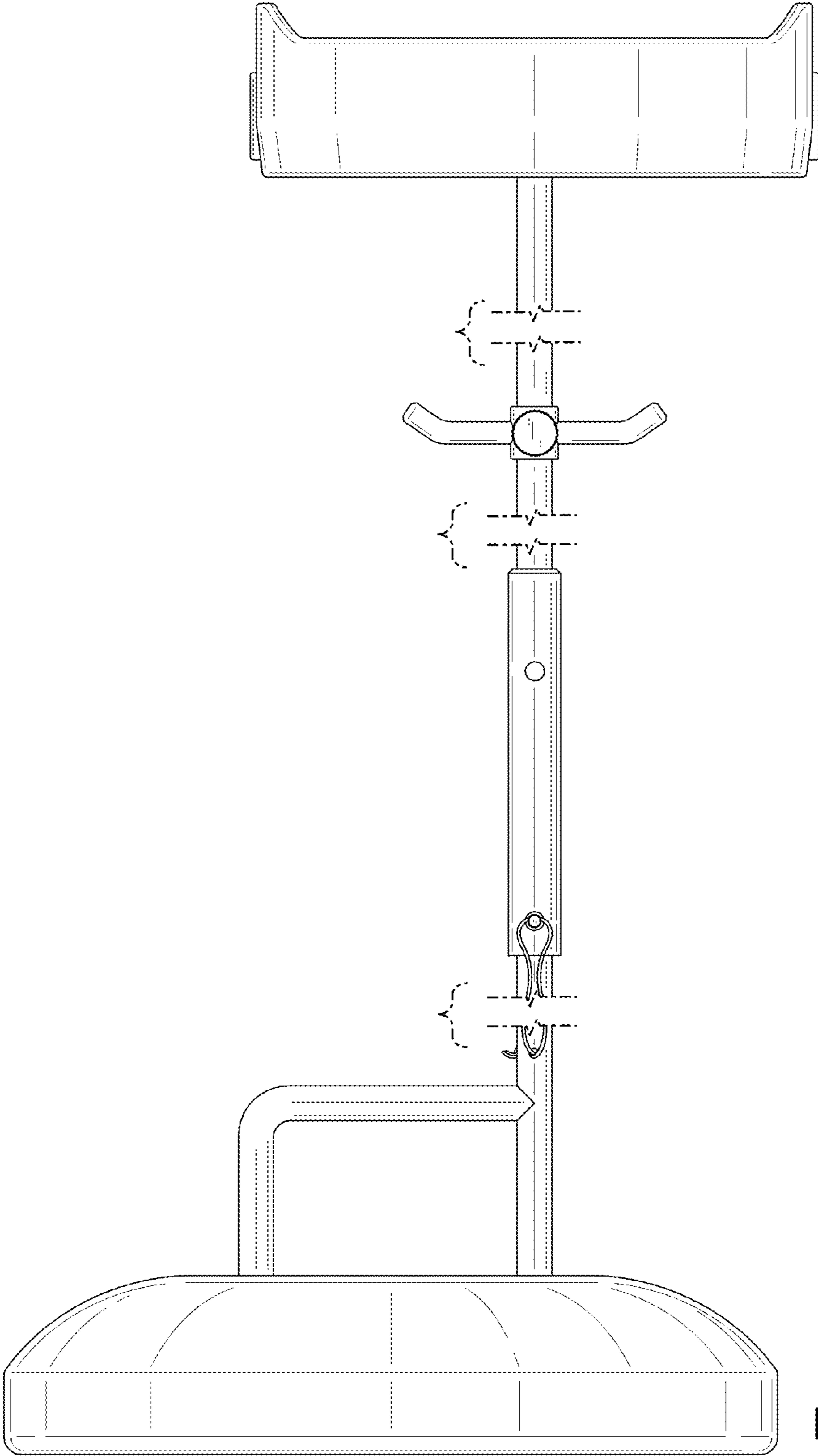


FIG.3

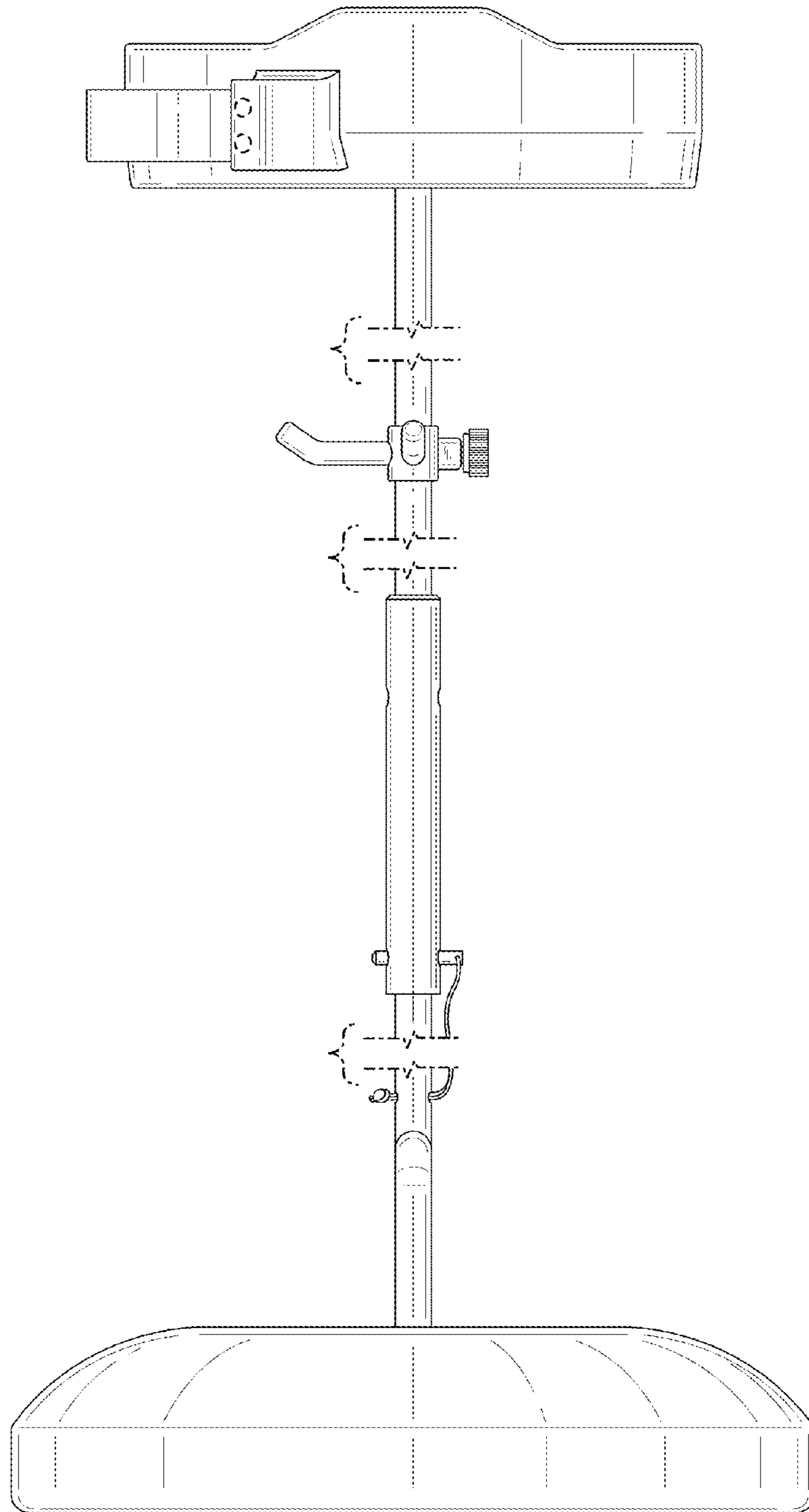


FIG. 4

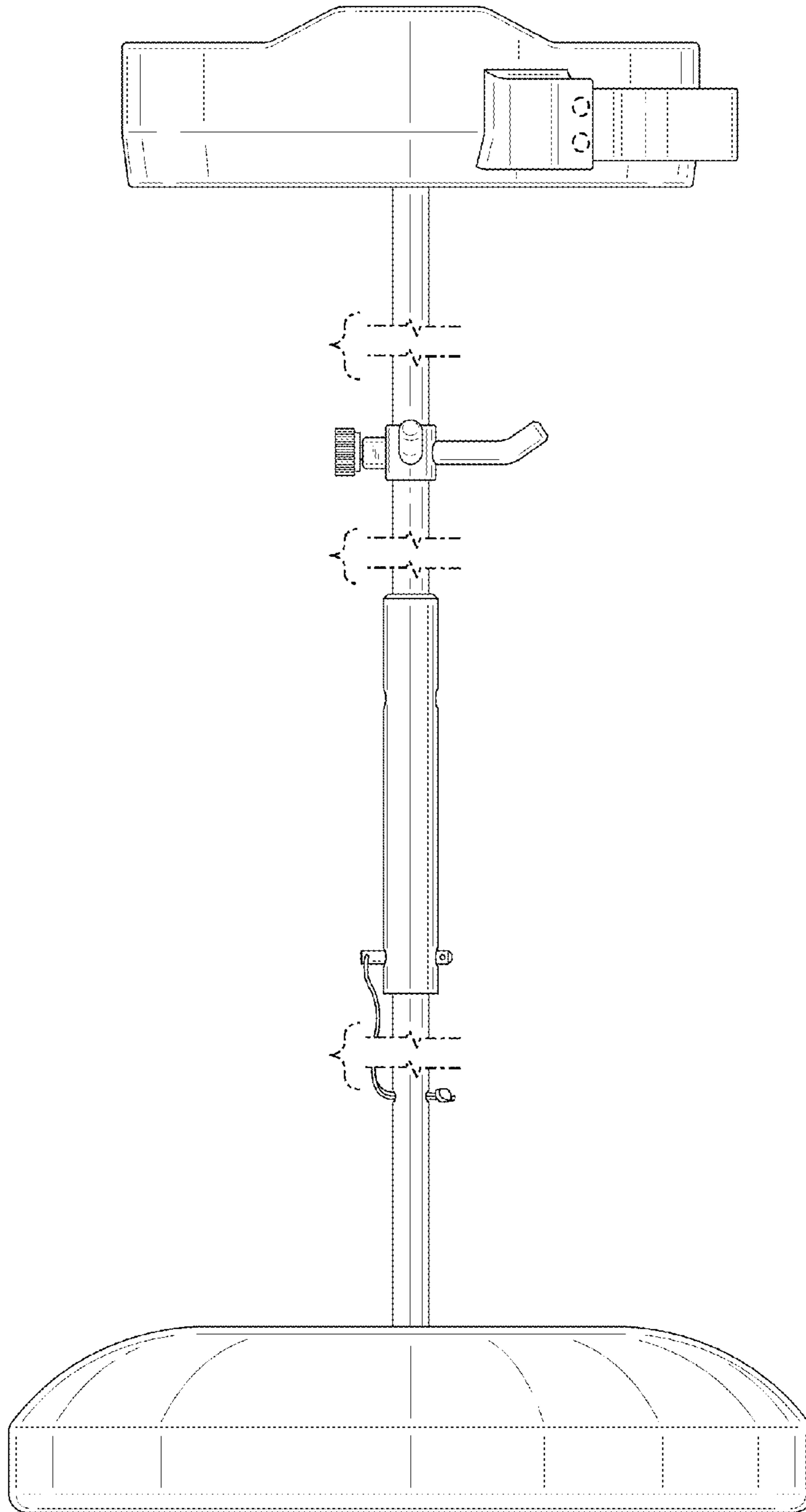


FIG. 5

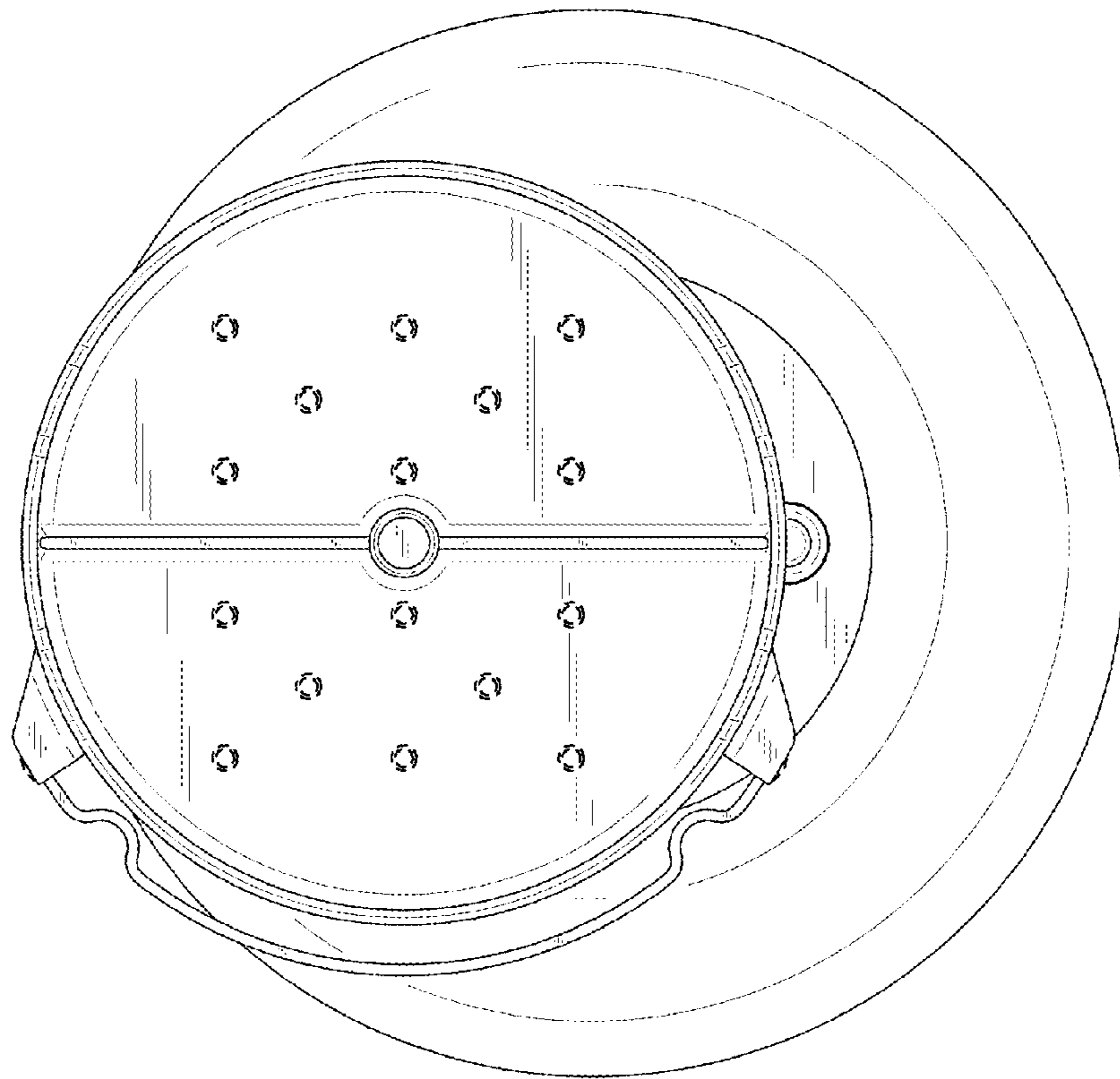


FIG.6

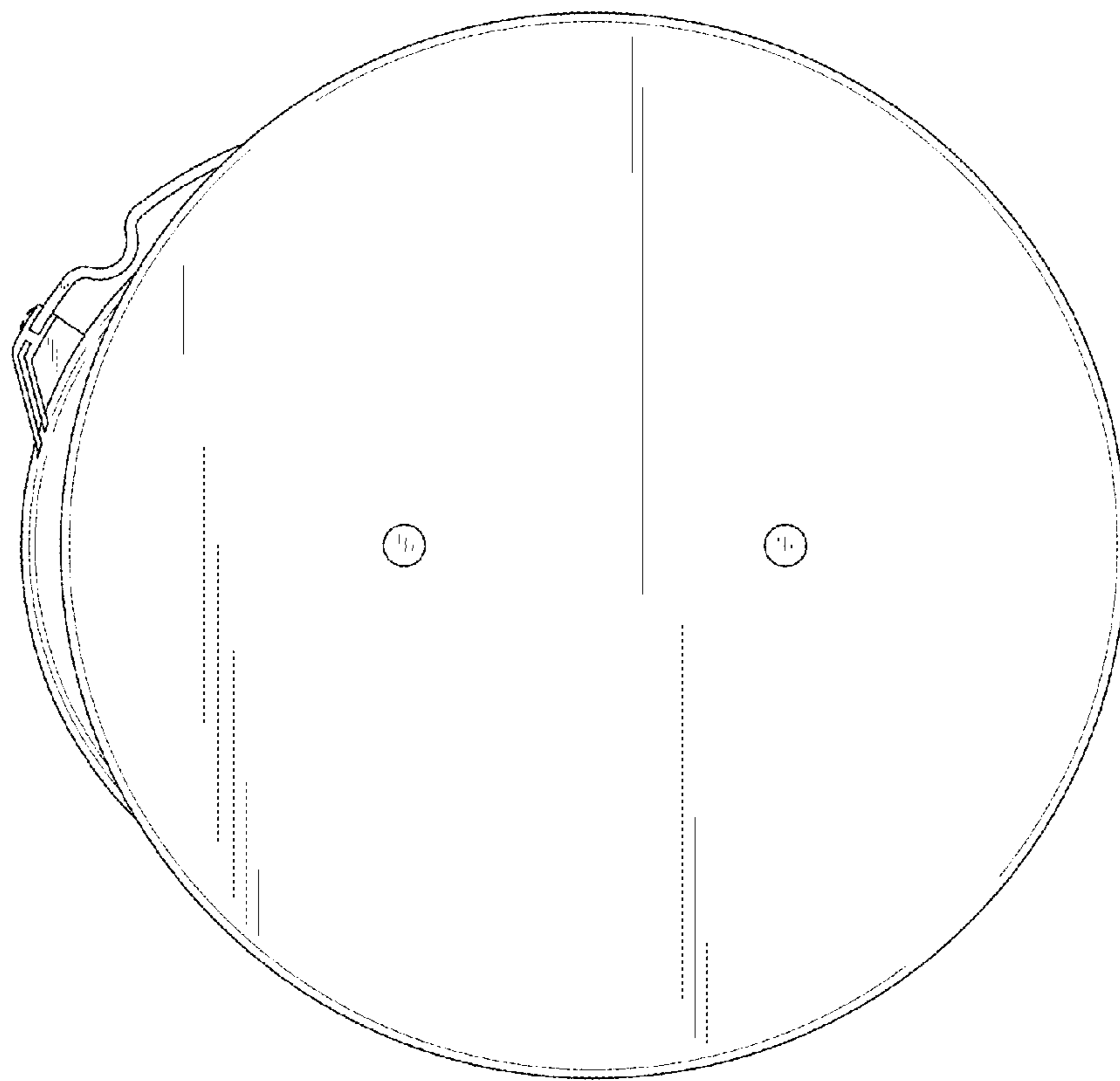


FIG.7

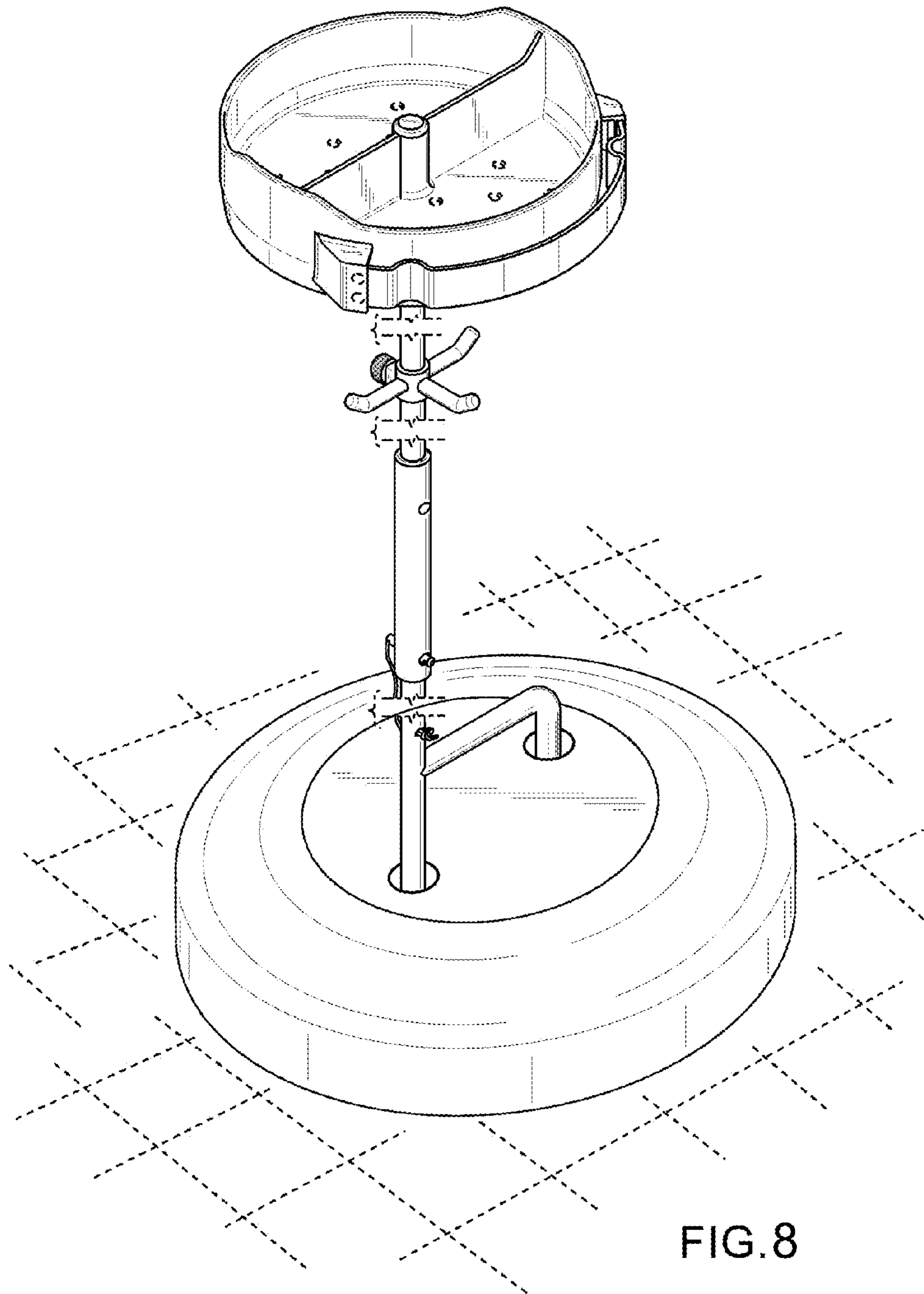


FIG. 8