



US00D718962S

(12) **United States Design Patent**  
**Brett**

(10) **Patent No.:** **US D718,962 S**  
(45) **Date of Patent:** **\*\* Dec. 9, 2014**

(54) **DISPLAY HOOK**

(71) Applicant: **Fantasia Accessories, Ltd.**, New York, NY (US)

(72) Inventor: **Michael Brett**, New City, NY (US)

(73) Assignee: **Fantasia Accessories, Ltd.**, New York, NY (US)

(\*\*) Term: **14 Years**

(21) Appl. No.: **29/493,584**

(22) Filed: **Jun. 11, 2014**

(51) **LOC (10) Cl.** ..... **06-06**

(52) **U.S. Cl.**  
USPC ..... **D6/682.1**

(58) **Field of Classification Search**  
USPC ..... D6/315-316, 320, 326, 682, 682.1,  
D6/682.3; D20/10, 22-23, 27, 41-43;  
D9/415; 223/85-98; 211/10, 13.1,  
211/85.2, 86.01, 87.01, 113

See application file for complete search history.

(56) **References Cited**

**U.S. PATENT DOCUMENTS**

|               |         |             |       |        |
|---------------|---------|-------------|-------|--------|
| D321,288 S *  | 11/1991 | Nichol, Jr. | ..... | D6/315 |
| D331,425 S *  | 12/1992 | Rhyne       | ..... | D20/42 |
| D337,338 S *  | 7/1993  | Chang       | ..... | D3/266 |
| 5,505,351 A * | 4/1996  | Najarian    | ..... | 223/85 |

|              |         |                  |       |          |
|--------------|---------|------------------|-------|----------|
| D440,873 S * | 4/2001  | Van Horn         | ..... | D9/415   |
| D505,315 S * | 5/2005  | Snell            | ..... | D8/367   |
| D507,417 S * | 7/2005  | Franzone et al.  | ..... | D6/317   |
| D531,487 S * | 11/2006 | Dretzka          | ..... | D8/367   |
| D581,985 S * | 12/2008 | Spratt           | ..... | D20/42   |
| D624,807 S * | 10/2010 | Barrese          | ..... | D8/373   |
| D646,151 S * | 10/2011 | Potts et al.     | ..... | D8/367   |
| D654,764 S * | 2/2012  | Murphy           | ..... | D7/553.1 |
| D708,861 S * | 7/2014  | Doenges et al.   | ..... | D6/315   |
| D709,132 S * | 7/2014  | Dougherty et al. | ..... | D20/19   |

\* cited by examiner

*Primary Examiner* — Kelley Donnelly

(74) *Attorney, Agent, or Firm* — Ladas & Parry LLP

(57) **CLAIM**

The ornamental design for a display hook, as shown and described.

**DESCRIPTION**

FIG. 1 is a front perspective view of a display hook showing my new design;

FIG. 2 is a front elevation view thereof;

FIG. 3 is rear elevation view thereof;

FIG. 4 is a left side elevation view thereof;

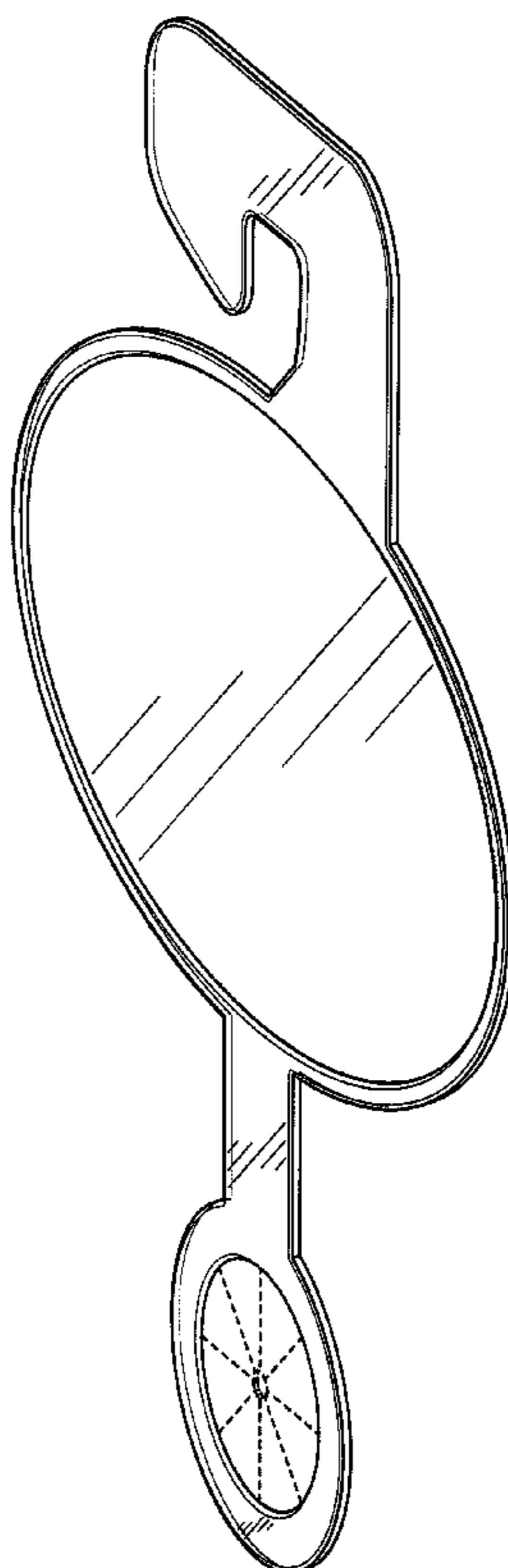
FIG. 5 is right side elevation view thereof;

FIG. 6 is a top plan view thereof;

FIG. 7 is a bottom plan view thereof; and,

FIG. 8 is a perspective view thereof showing the hook in use supporting an umbrella.

**1 Claim, 6 Drawing Sheets**



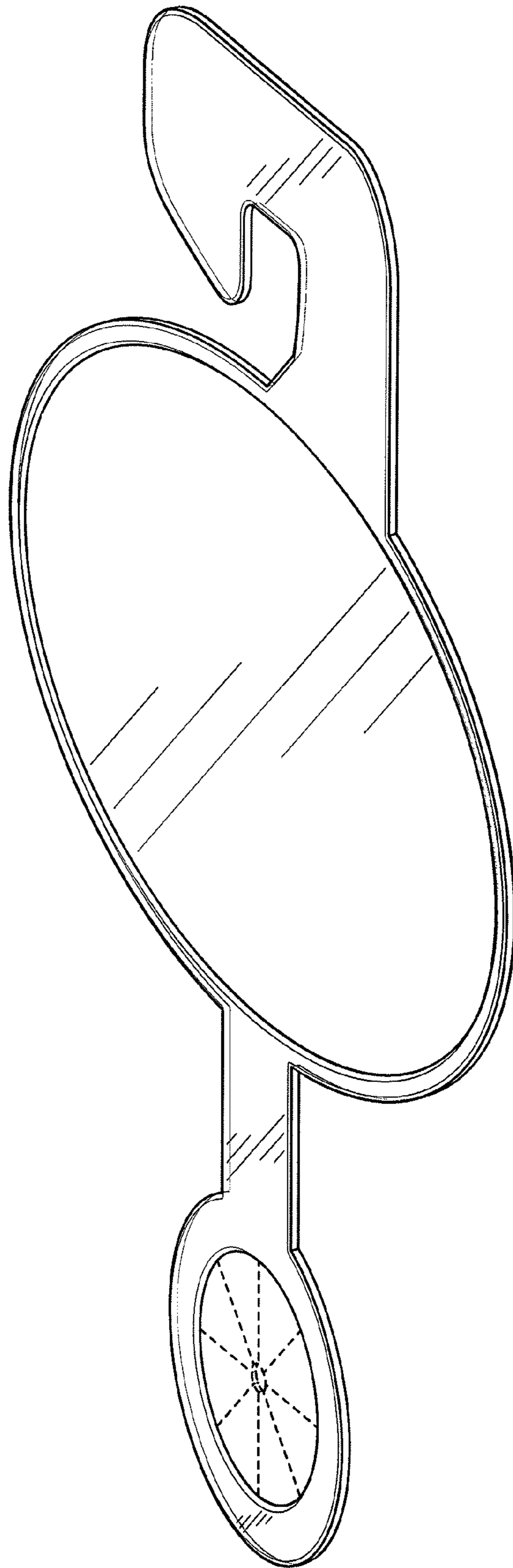


FIG. 1

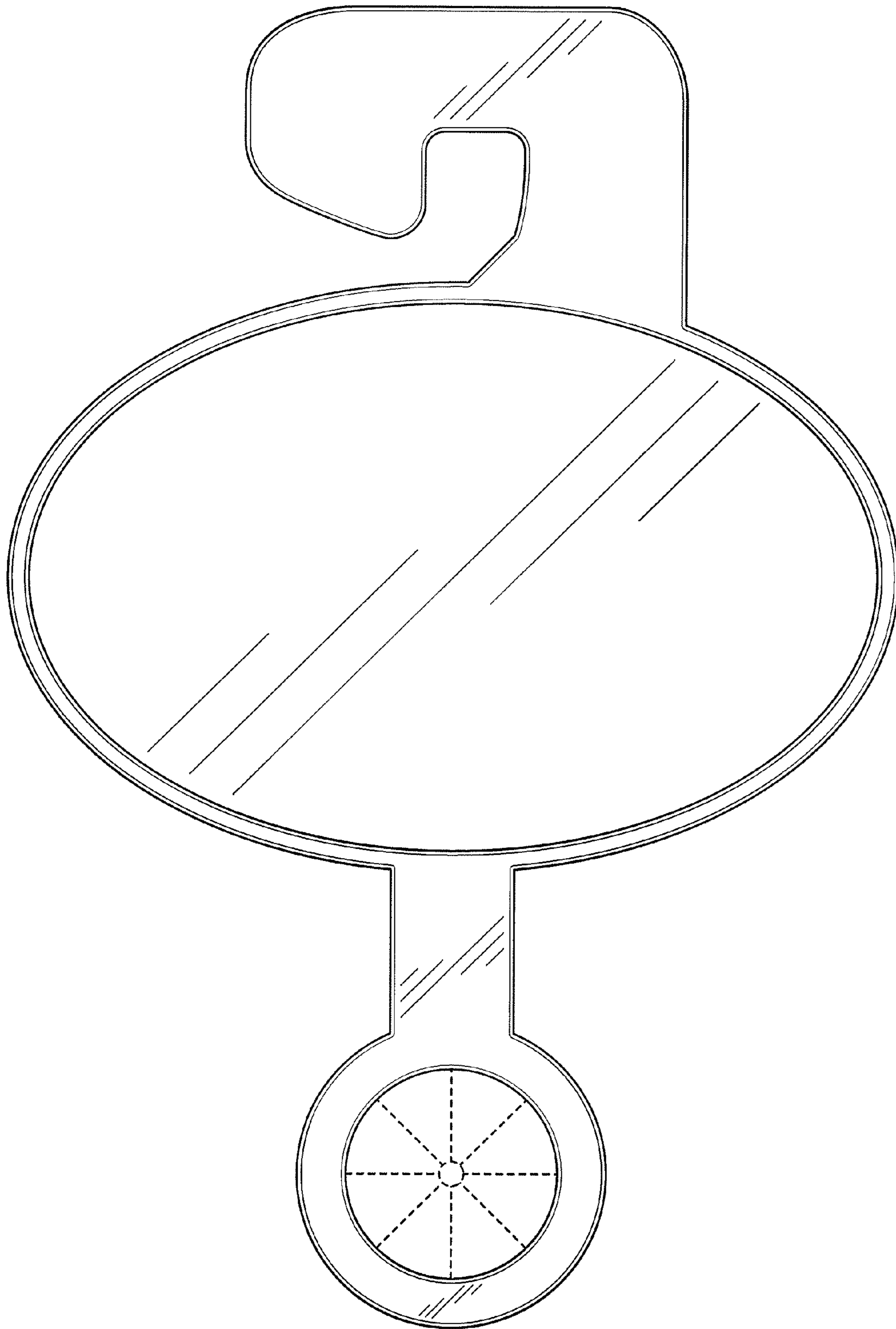


FIG. 2

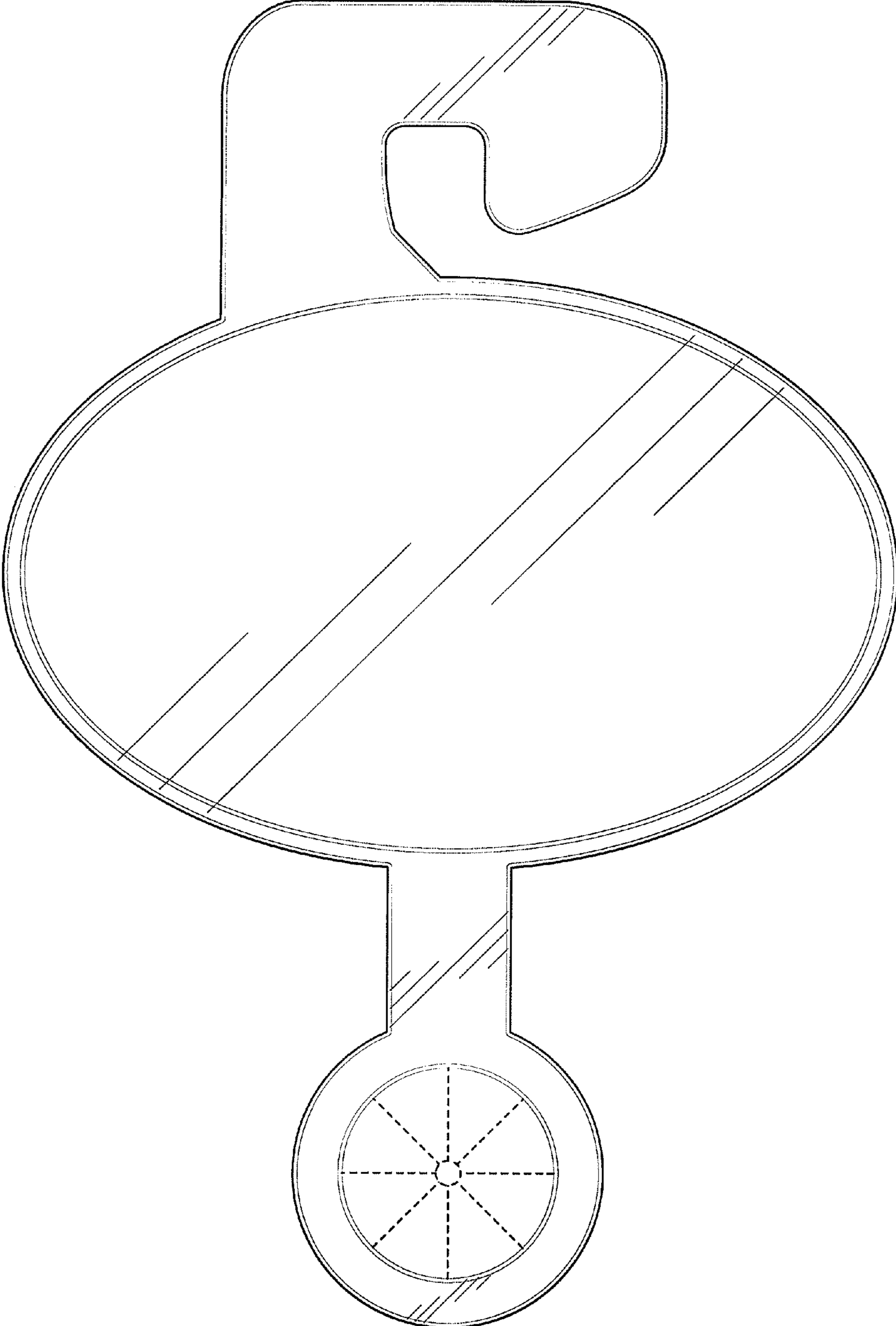


FIG. 3



FIG. 4



FIG. 5

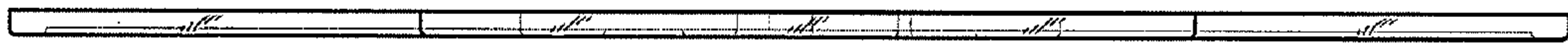


FIG. 6

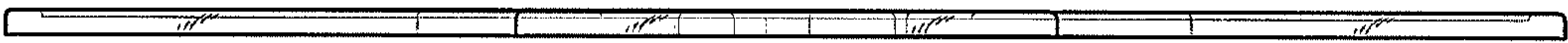


FIG. 7

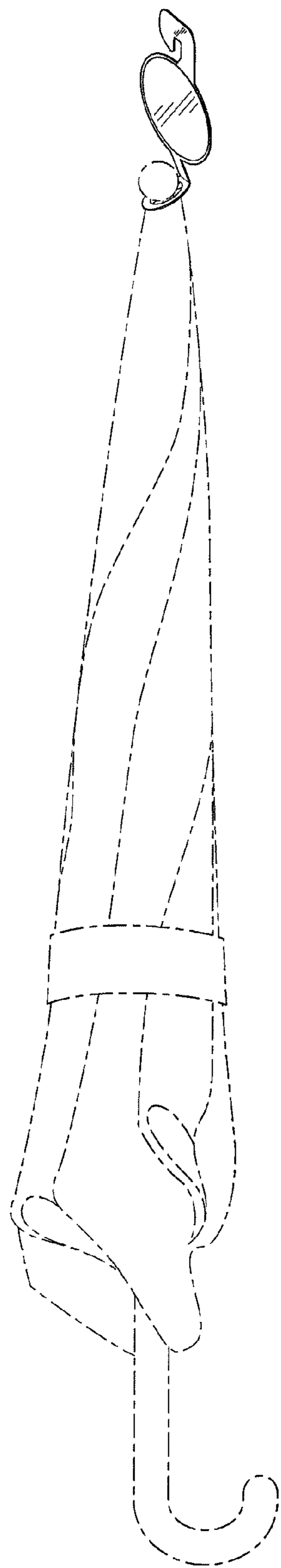


FIG. 8