

US00D718961S

(12) **United States Design Patent**  
**Sanderson**

(10) **Patent No.:** **US D718,961 S**  
(45) **Date of Patent:** **\*\* Dec. 9, 2014**

- (54) **SHOE DISPLAY STAND**
- (71) Applicant: **Wire Fab Company**, Mount Vernon, WA (US)
- (72) Inventor: **Terry Sanderson**, Mount Vernon, WA (US)
- (\*\*) Term: **14 Years**
- (21) Appl. No.: **29/467,332**
- (22) Filed: **Sep. 18, 2013**
- (51) **LOC (10) Cl.** ..... **06-04**
- (52) **U.S. Cl.**  
USPC ..... **D6/675.5**; D6/691.4
- (58) **Field of Classification Search**  
CPC ..... A47F 7/08; A47G 1/0605; A47G 1/10; Y10S 248/91; A47B 13/003; A47B 13/02; A47B 13/021; A47B 13/023; A47B 2013/006; A47B 7/00  
USPC ..... D6/334, 641, 675, 675.5, 676.5, 680.2, D6/702, 708, 708.16, 708.17, 708.2, D6/708.21, 552, 691.4, 691.6, 656.13, D6/656.15, 691.1-691.9, 700, 701, 705.6, D6/707, 707.19, 707.23, 707.24; 211/34-38, 150  
See application file for complete search history.

D330,982 S *	11/1992	Braun	.....	D6/457
D363,619 S *	10/1995	Karnaze	.....	D6/449
D410,250 S *	5/1999	Robertson, Jr.	.....	D19/52
D428,273 S *	7/2000	Ohl	.....	D6/365
D450,496 S *	11/2001	Schwartz et al.	.....	D6/495
D587,255 S *	2/2009	Morello	.....	D14/239
D590,018 S *	4/2009	Nash et al.	.....	D19/52
D621,641 S *	8/2010	Li	.....	D6/486
D623,227 S *	9/2010	Hoch et al.	.....	D19/52
D625,528 S *	10/2010	Sprague	.....	D6/449
D631,104 S *	1/2011	With	.....	D21/485
D647,073 S *	10/2011	Morihira	.....	D13/199
D650,204 S *	12/2011	Muller	.....	D6/495
D655,950 S *	3/2012	Kvello	.....	D6/487

**OTHER PUBLICATIONS**

Shoe display, available Jul. 28, 2010, [online], [site visited Oct. 14, 2014]. Available from internet, <URL: [https://web.archive.org/web/20100728094124/http://buystoreshelving.com/shoe\\_displays/table\\_pair\\_shoes\\_display\\_stand\\_SR8/index.htm](https://web.archive.org/web/20100728094124/http://buystoreshelving.com/shoe_displays/table_pair_shoes_display_stand_SR8/index.htm)>.\*  
Shoe display, available Feb. 1, 2013, [online], [site visited Oct. 14, 2014]. Available from internet, <URL: <http://www.bawplastics.com/acrylicrisers.php>>.\*

\* cited by examiner

*Primary Examiner* — Cathron Brooks  
*Assistant Examiner* — Teddy Falloway

(57) **CLAIM**

The ornamental design for a shoe display stand, as shown and described.

**DESCRIPTION**

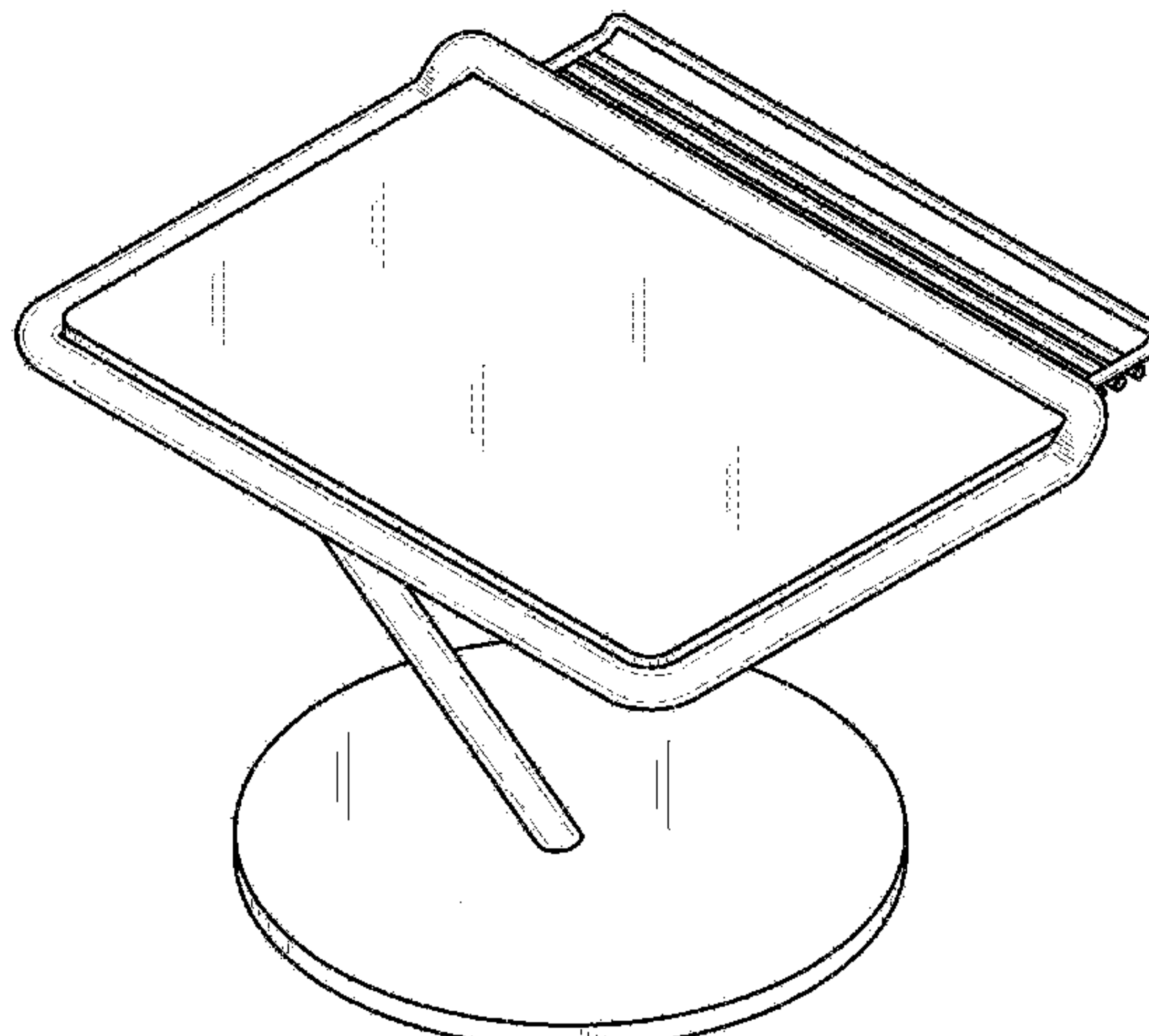
FIG. 1 is an isometric view of a shoe display stand;  
FIG. 2 is a front view thereof;  
FIG. 3 is a right side view thereof;  
FIG. 4 is a left side view thereof;  
FIG. 5 is a back view thereof;  
FIG. 6 is a top view thereof;  
FIG. 7 is a bottom view thereof; and,  
FIG. 8 is an exploded isometric view of the shoe display stand showing a shoe platform and base.

**1 Claim, 8 Drawing Sheets**

(56) **References Cited**

**U.S. PATENT DOCUMENTS**

803,688 A *	11/1905	Gruss et al.	.....	211/37
822,277 A *	6/1906	Hotchkiss	.....	211/33
1,270,004 A *	6/1918	Chappell	.....	211/37
2,212,602 A *	8/1940	Hoffmann	.....	211/37
D225,291 S *	12/1972	Kastuer	.....	D6/484
D235,597 S *	7/1975	Loomis	.....	D6/479
D286,479 S *	11/1986	Marchesini	.....	D6/484
D287,679 S *	1/1987	Evans	.....	D6/483
D289,953 S *	5/1987	Berry, Jr.	.....	D6/482
4,760,802 A *	8/1988	Leong	.....	108/157.16
4,839,974 A *	6/1989	Walter	.....	40/784
D327,096 S *	6/1992	Hobbs	.....	D20/10



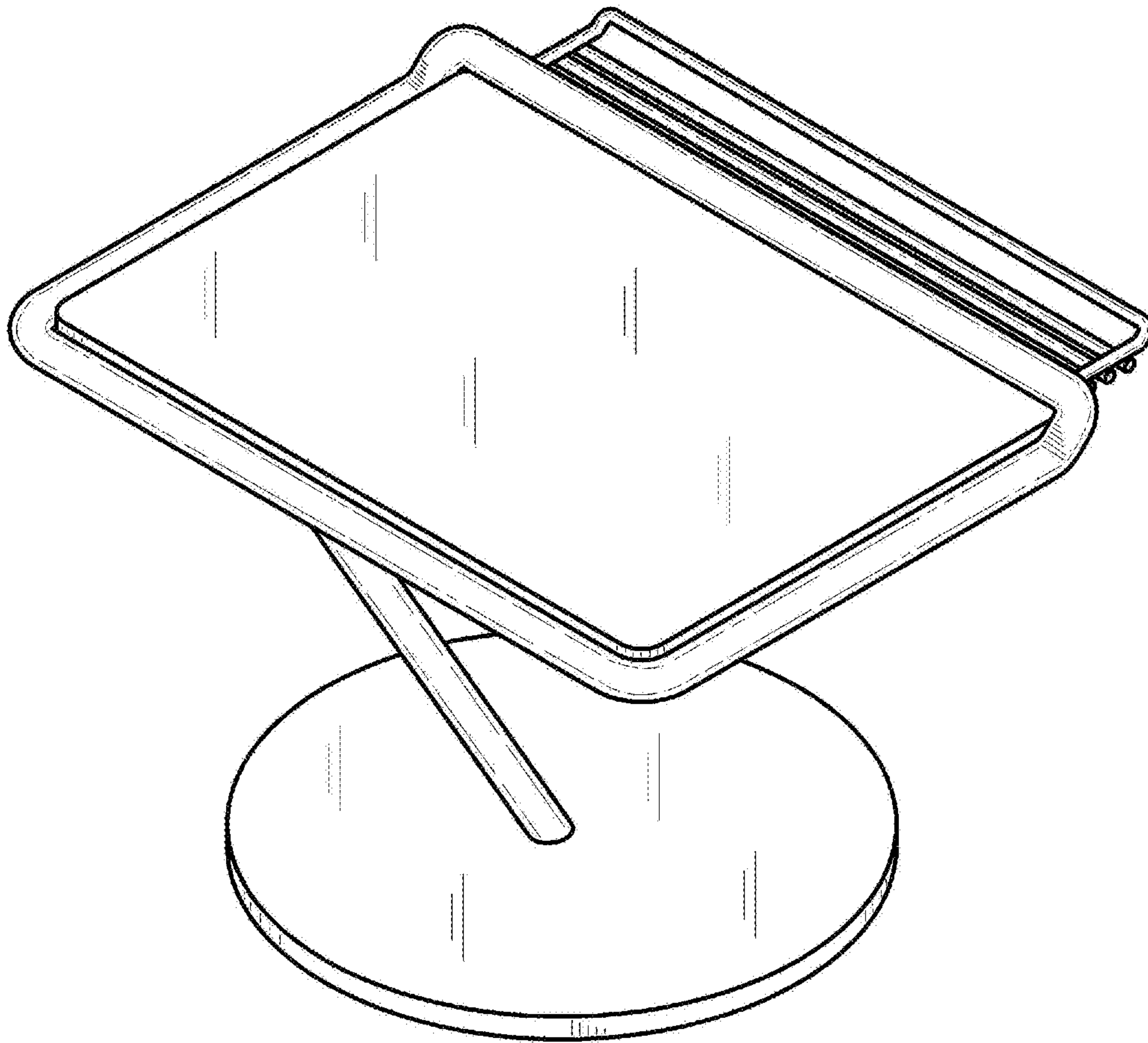


FIG. 1

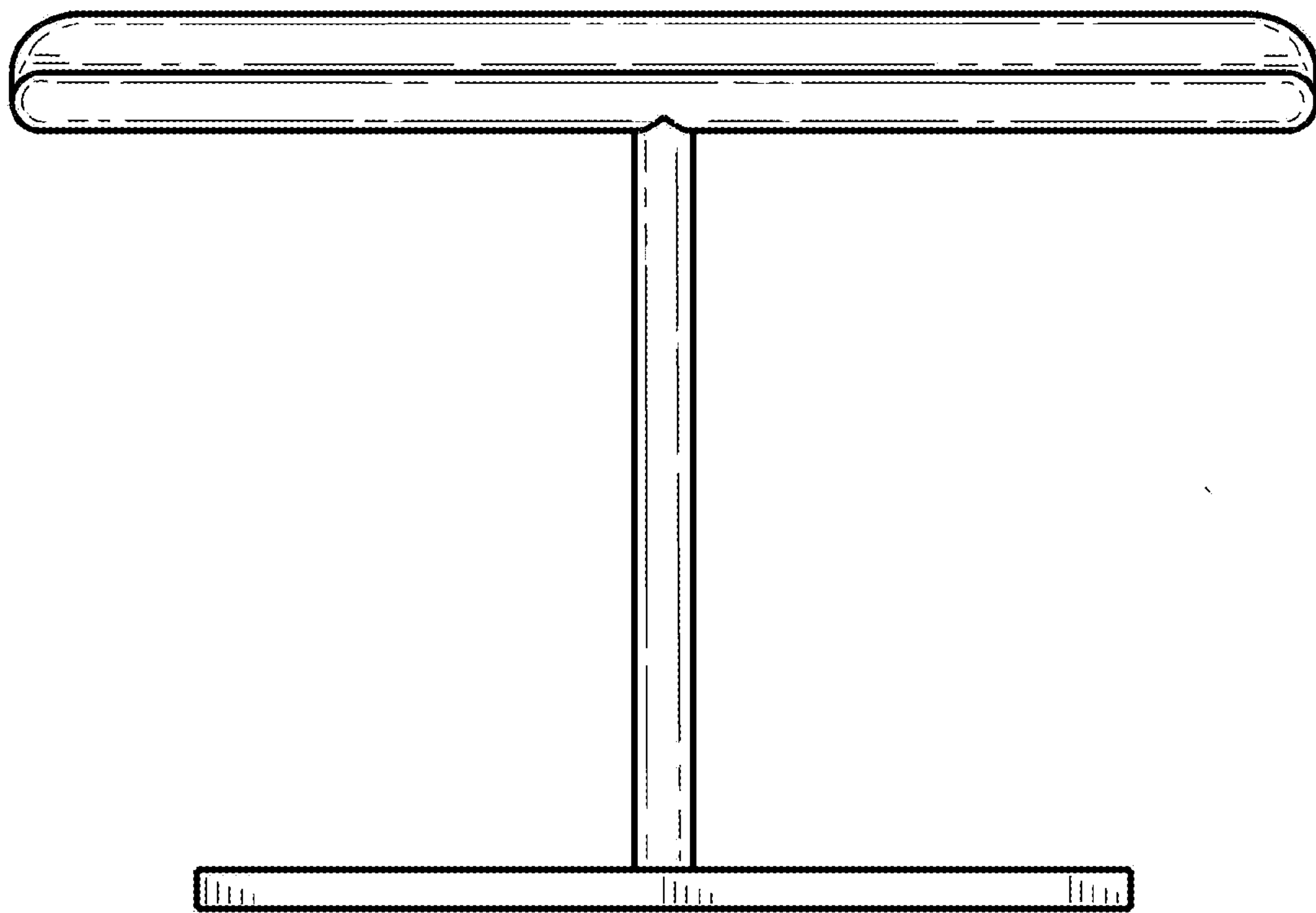


FIG. 2

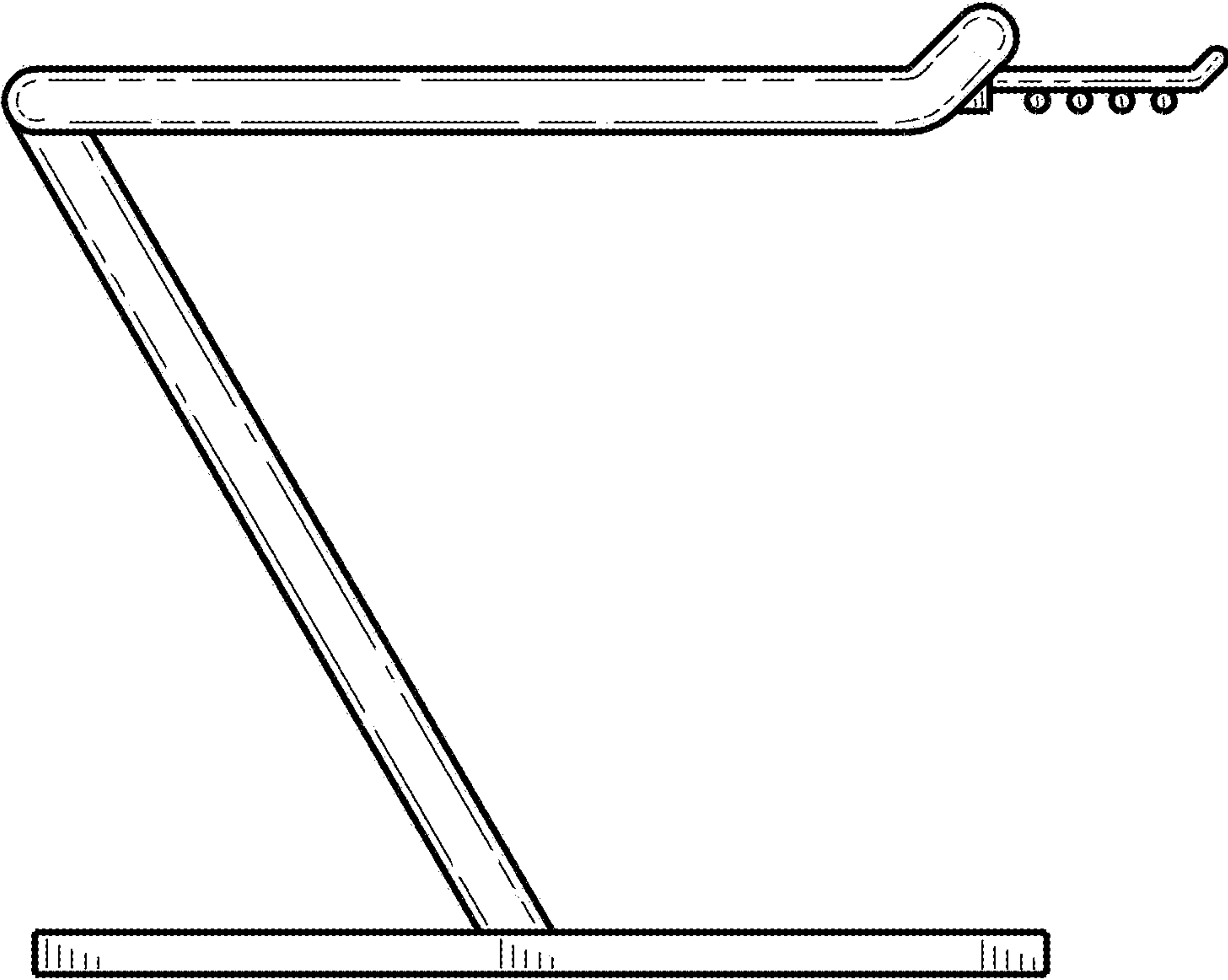


FIG. 3

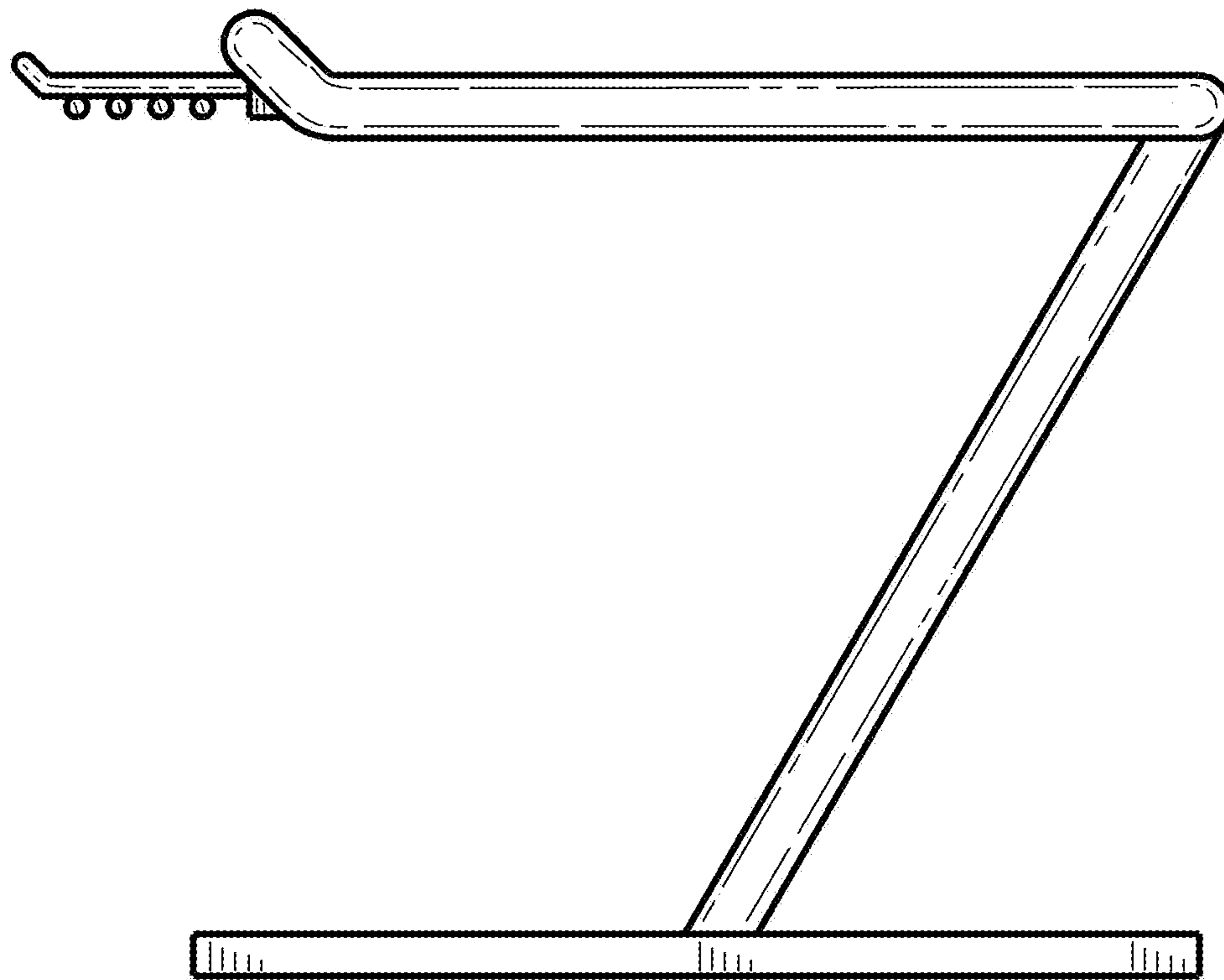


FIG. 4

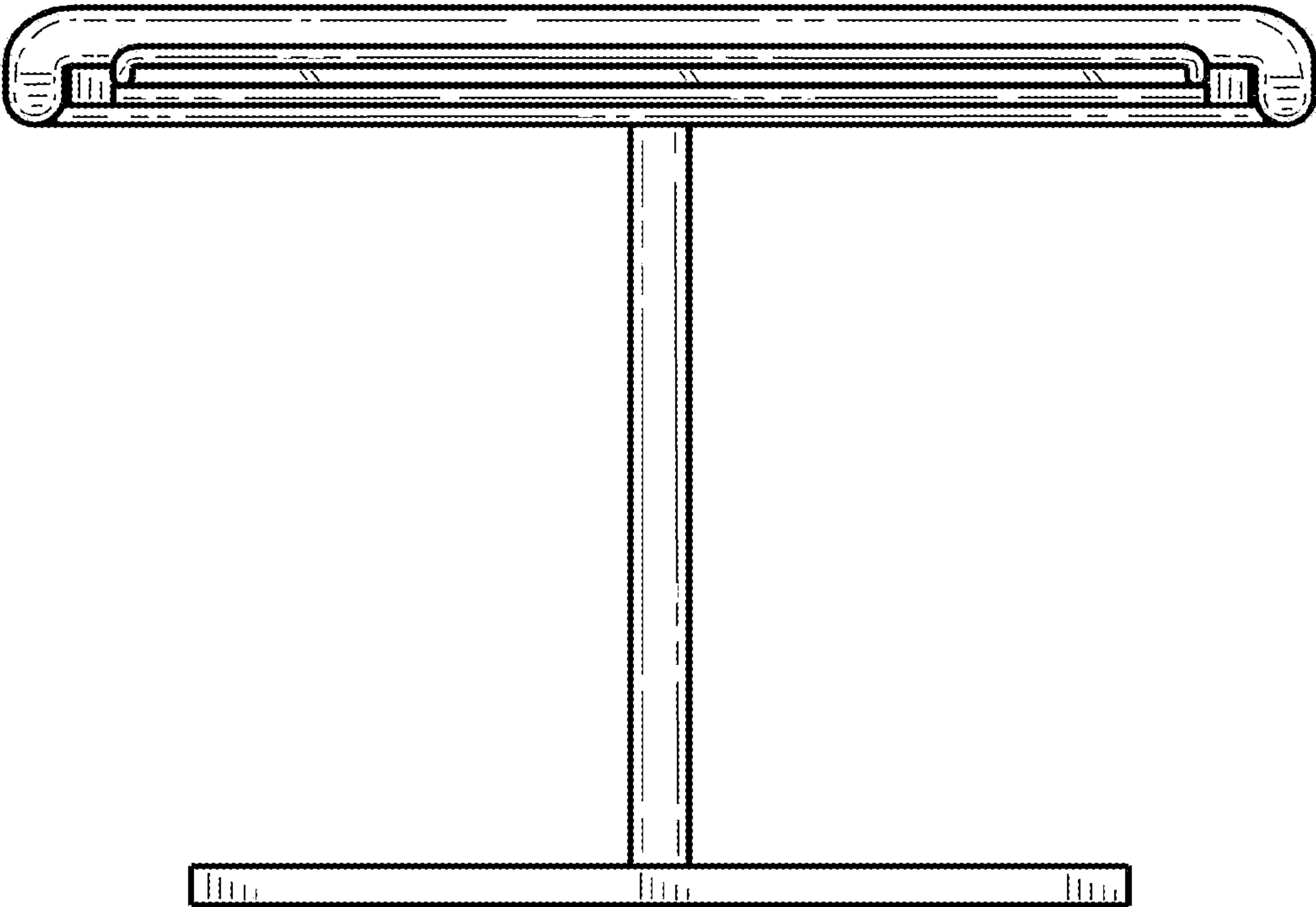


FIG. 5



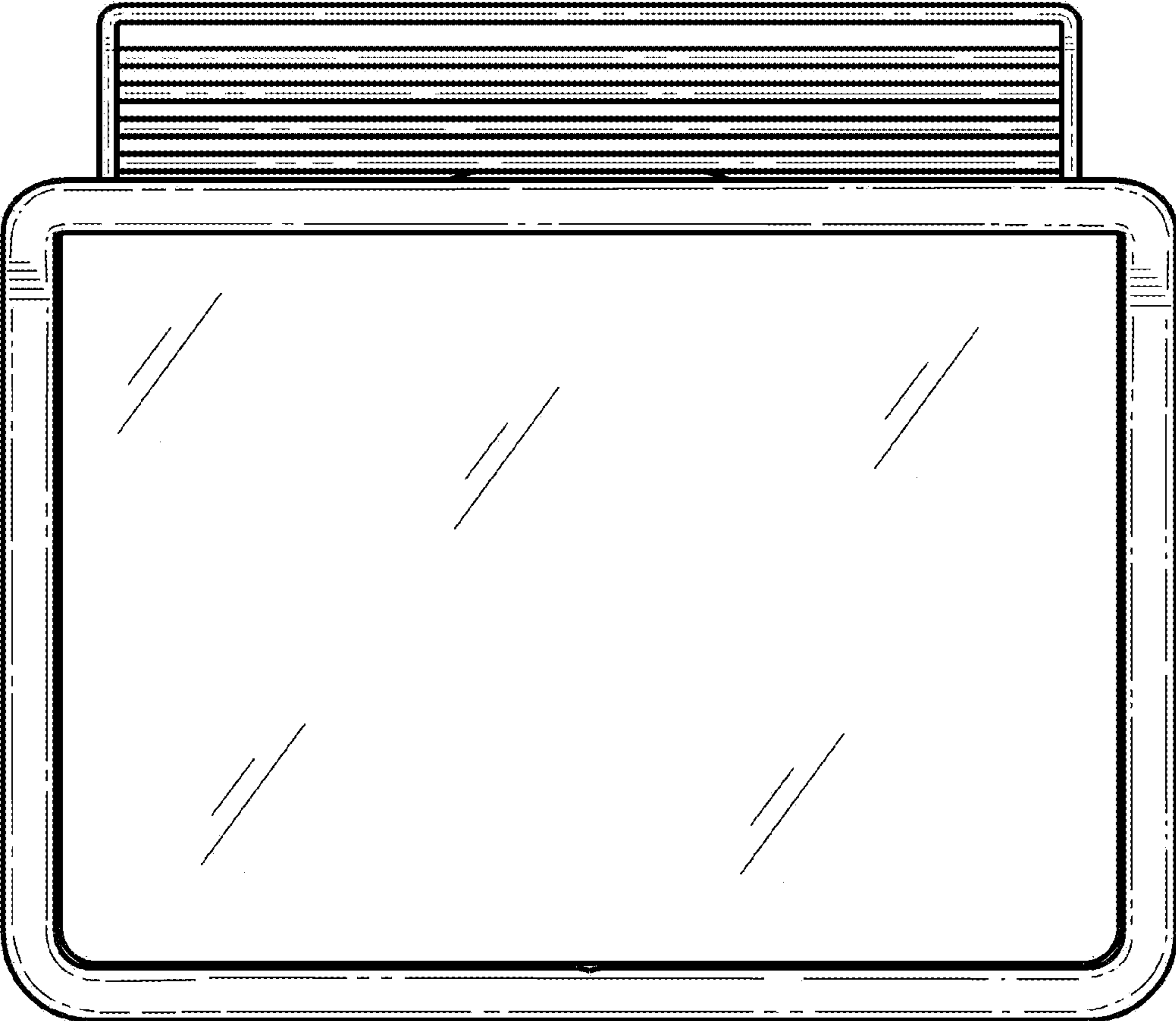


FIG. 6

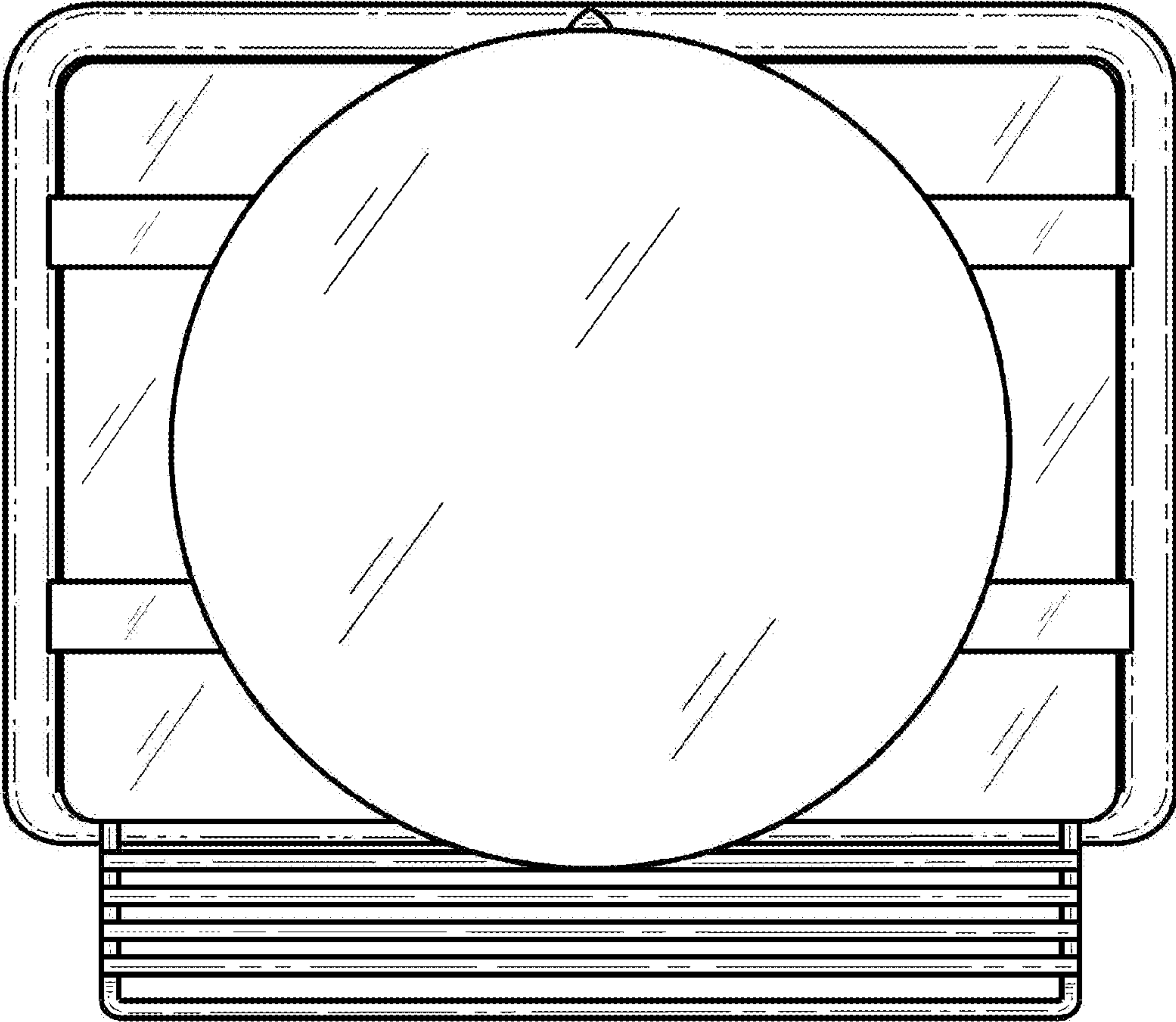


FIG. 7



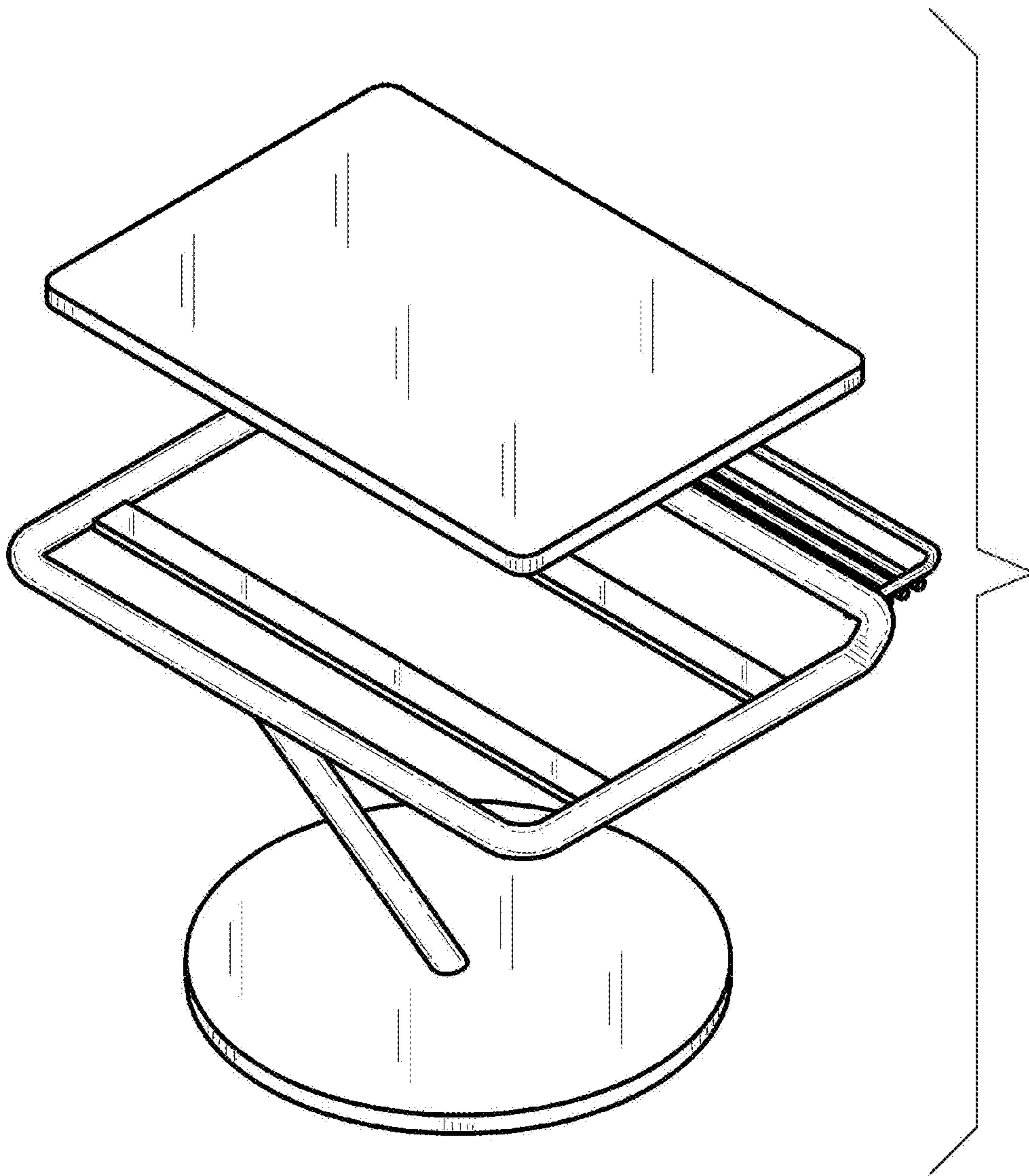


FIG. 8