



US00D718960S

(12) **United States Design Patent**
Sanderson

(10) **Patent No.:** **US D718,960 S**
(45) **Date of Patent:** **** Dec. 9, 2014**

- (54) **SHOE DISPLAY STAND**
- (71) Applicant: **Wire Fab Company**, Mount Vernon, WA (US)
- (72) Inventor: **Terry Sanderson**, Mount Vernon, WA (US)
- (**) Term: **14 Years**
- (21) Appl. No.: **29/467,327**
- (22) Filed: **Sep. 18, 2013**
- (51) **LOC (10) Cl.** **06-04**
- (52) **U.S. Cl.**
USPC **D6/675.5; D6/656.13**
- (58) **Field of Classification Search**
CPC A47F 7/08; A47G 1/0605; A47G 1/10; Y10S 248/91; A47B 13/003; A47B 13/02; A47B 13/021; A47B 13/023; A47B 2013/006; A47B 7/00
USPC D6/334, 641, 675, 675.5, 676.5, 680.2, D6/702, 708, 708.16, 708.17, 708.2, D6/708.21, 552, 691.4, 691.6, 656.13, D6/656.15, 691.1-691.9, 700, 701, 705.6, D6/707, 707.19, 707.23, 707.24; 211/34-38, 150
See application file for complete search history.

D353,499	S	*	12/1994	Schwallenstecker	D6/449
D410,173	S	*	5/1999	Best	D7/403
D410,250	S	*	5/1999	Robertson, Jr.	D19/52
D446,403	S	*	8/2001	Davies	D6/403
D472,403	S	*	4/2003	Bogish et al.	D6/466
D587,252	S	*	2/2009	Morello	D14/239
8,011,308	B2	*	9/2011	Picchio	108/147
D650,204	S	*	12/2011	Muller	D6/495
8,091,841	B2	*	1/2012	Jones et al.	248/125.2
D701,719	S	*	4/2014	Haase et al.	D6/719
2010/0325930	A1	*	12/2010	Moody	40/760
2011/0147560	A1	*	6/2011	Camarillo	248/371

OTHER PUBLICATIONS

Shoe display, available Jul. 28, 2010, [online], [site visited Oct. 14, 2014]. Available from internet, <URL: https://web.archive.org/web/20100728094124/http://buystoreshelving.com/shoe_displays/table_pair_shoes_display_stand_SR8/index.htm>.*

Shoe display, available Feb. 1, 2013, [online], [site visited Oct. 14, 2014]. Available from internet, <URL: <http://www.bawplastics.com/acrylicrisers.php>>.*

* cited by examiner

Primary Examiner — Cathron Brooks
Assistant Examiner — Teddy Falloway

(57) **CLAIM**
The ornamental design for a shoe display stand, as shown and described.

(56) **References Cited**

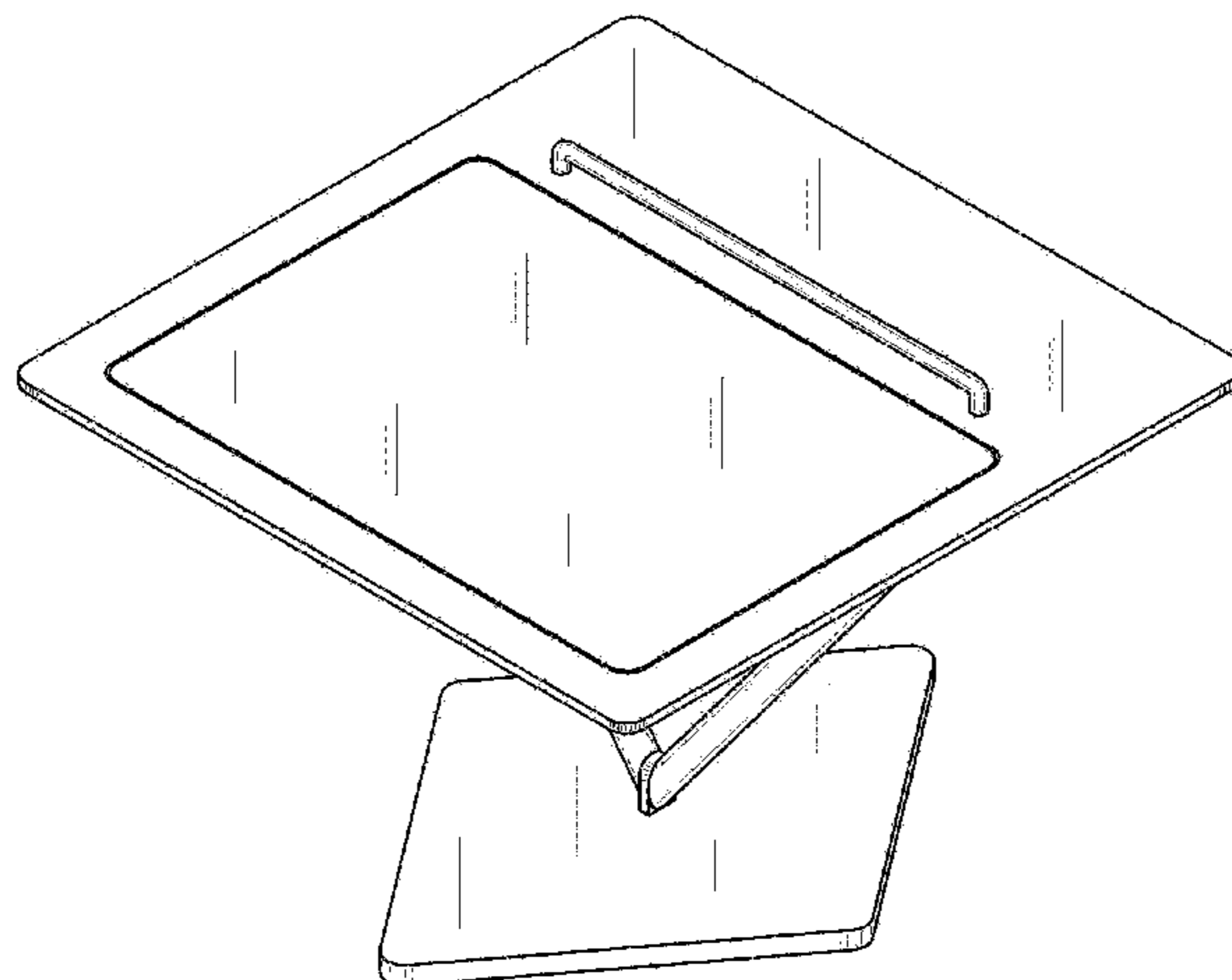
U.S. PATENT DOCUMENTS

803,688	A	*	11/1905	Gruss et al.	211/37
1,270,004	A	*	6/1918	Chaappell	211/37
1,273,238	A	*	7/1918	Leon et al.	248/126
1,273,239	A	*	7/1918	Leon et al.	248/460
1,278,059	A	*	9/1918	Summerfield	211/37
2,051,679	A	*	8/1936	Chapman	211/37
2,277,253	A	*	3/1942	Pollinger	211/37
D152,998	S	*	3/1949	Martin	D6/483
D159,561	S	*	8/1950	Tanier	D6/480
D223,689	S	*	5/1972	Forbes	D28/93
D240,983	S	*	8/1976	Rowman	D6/486

DESCRIPTION

FIG. 1 is an isometric view of a shoe display stand; FIG. 2 is a front view thereof; FIG. 3 is a right side view thereof; FIG. 4 is a left side view thereof; FIG. 5 is a back view thereof; FIG. 6 is a top view thereof; FIG. 7 is a bottom view thereof; and, FIG. 8 is an exploded isometric view of the shoe display stand showing a shoe platform and base.

1 Claim, 8 Drawing Sheets



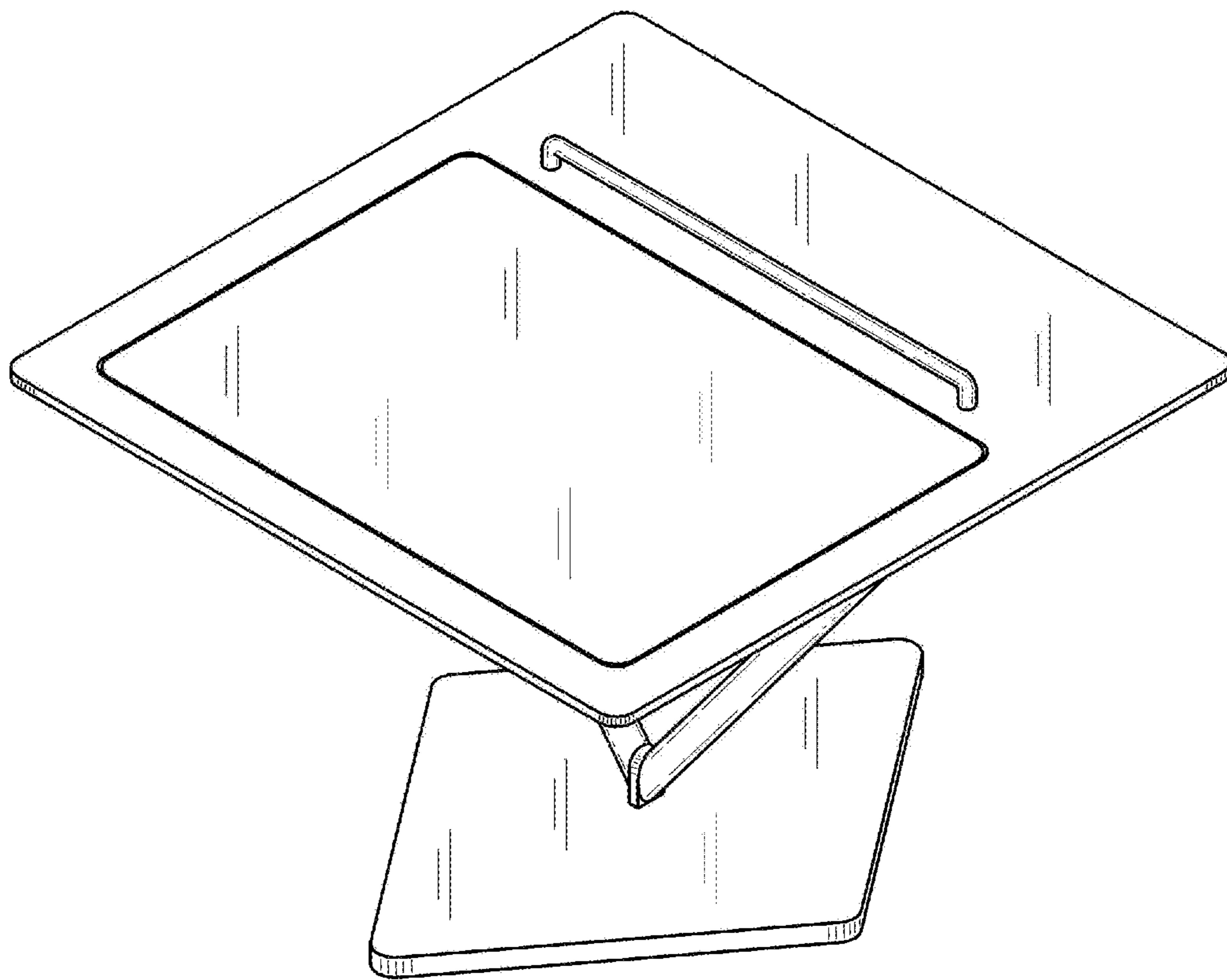


FIG. 1

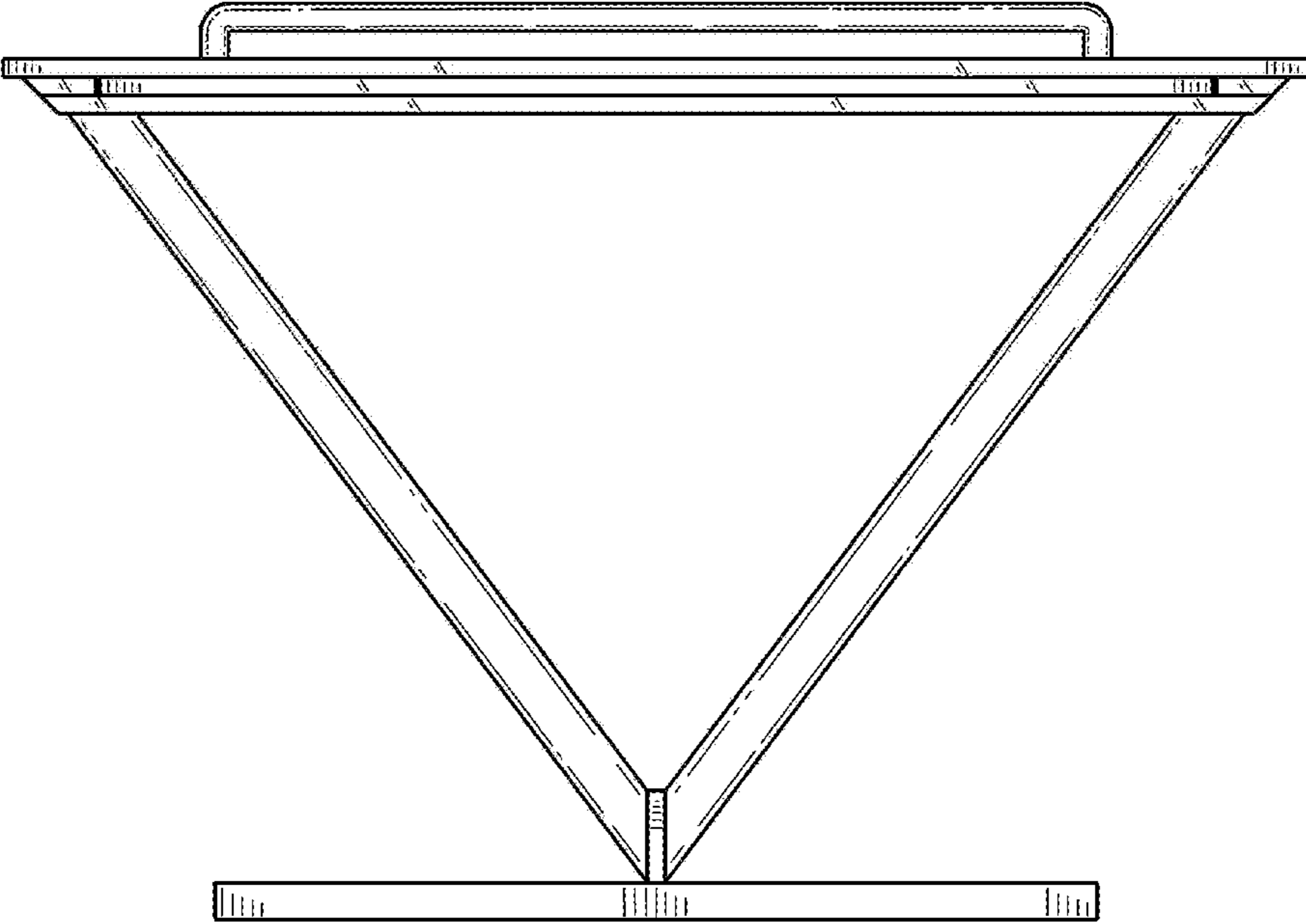


FIG. 2

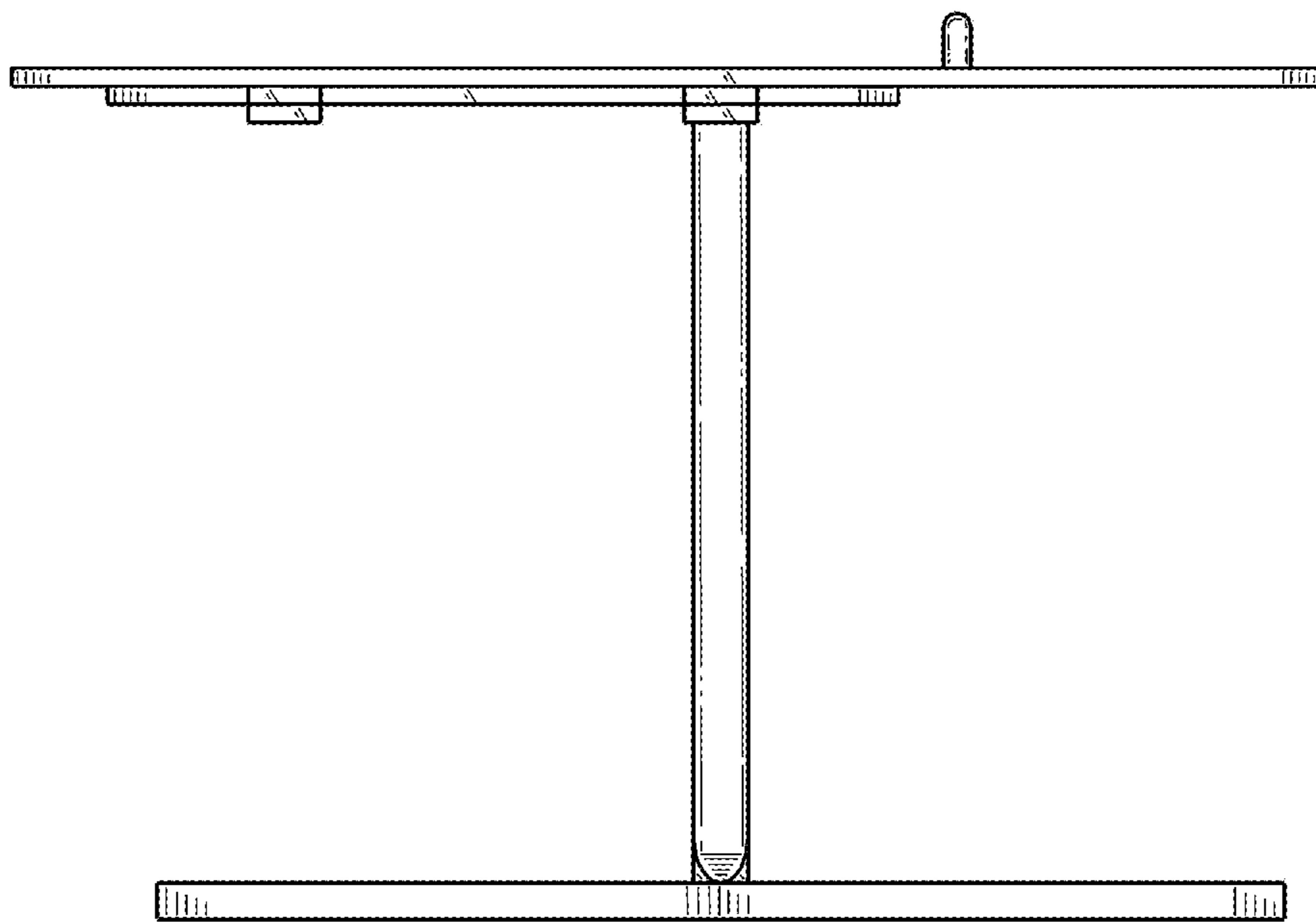


FIG. 3

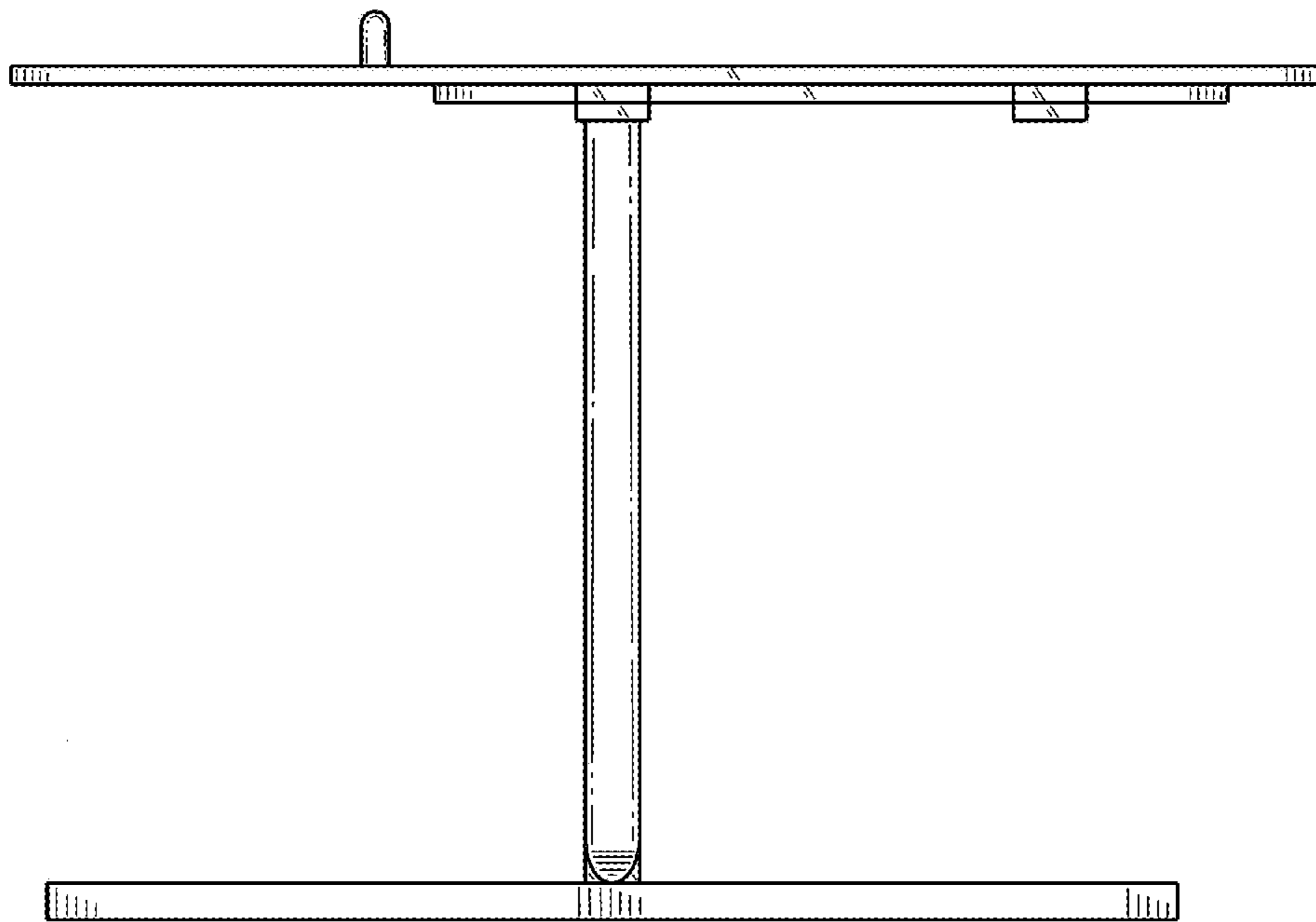


FIG. 4

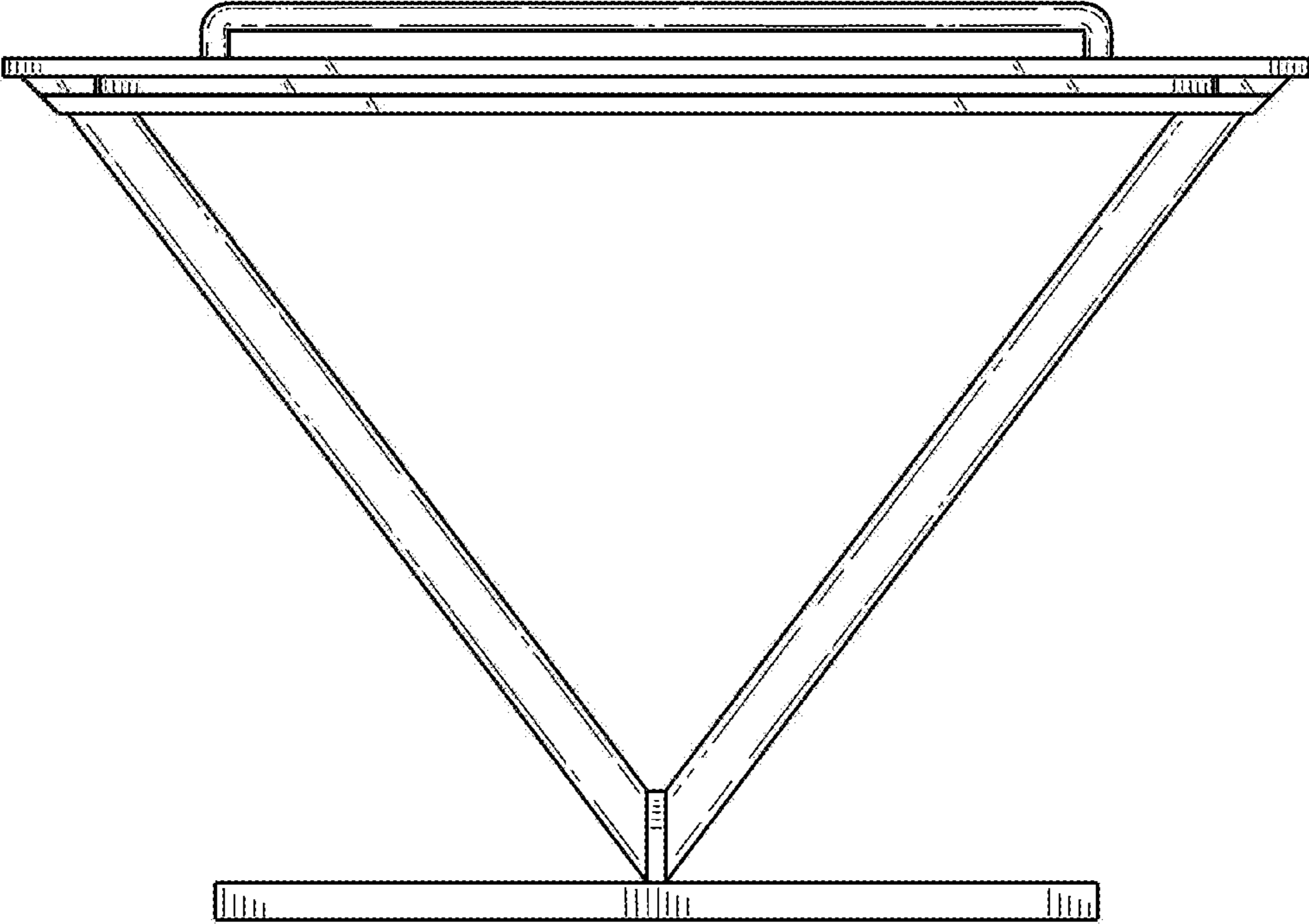


FIG. 5

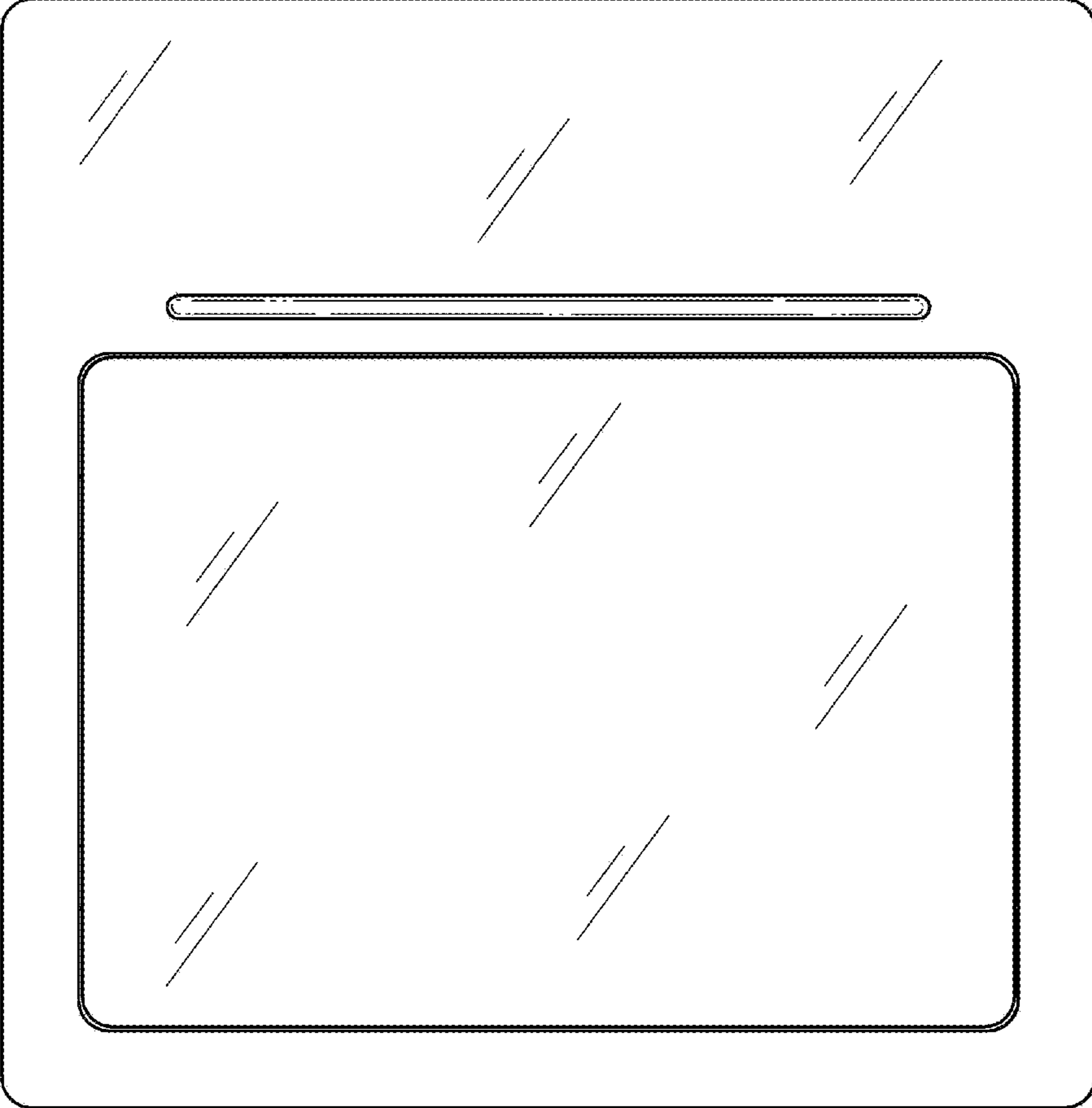


FIG. 6

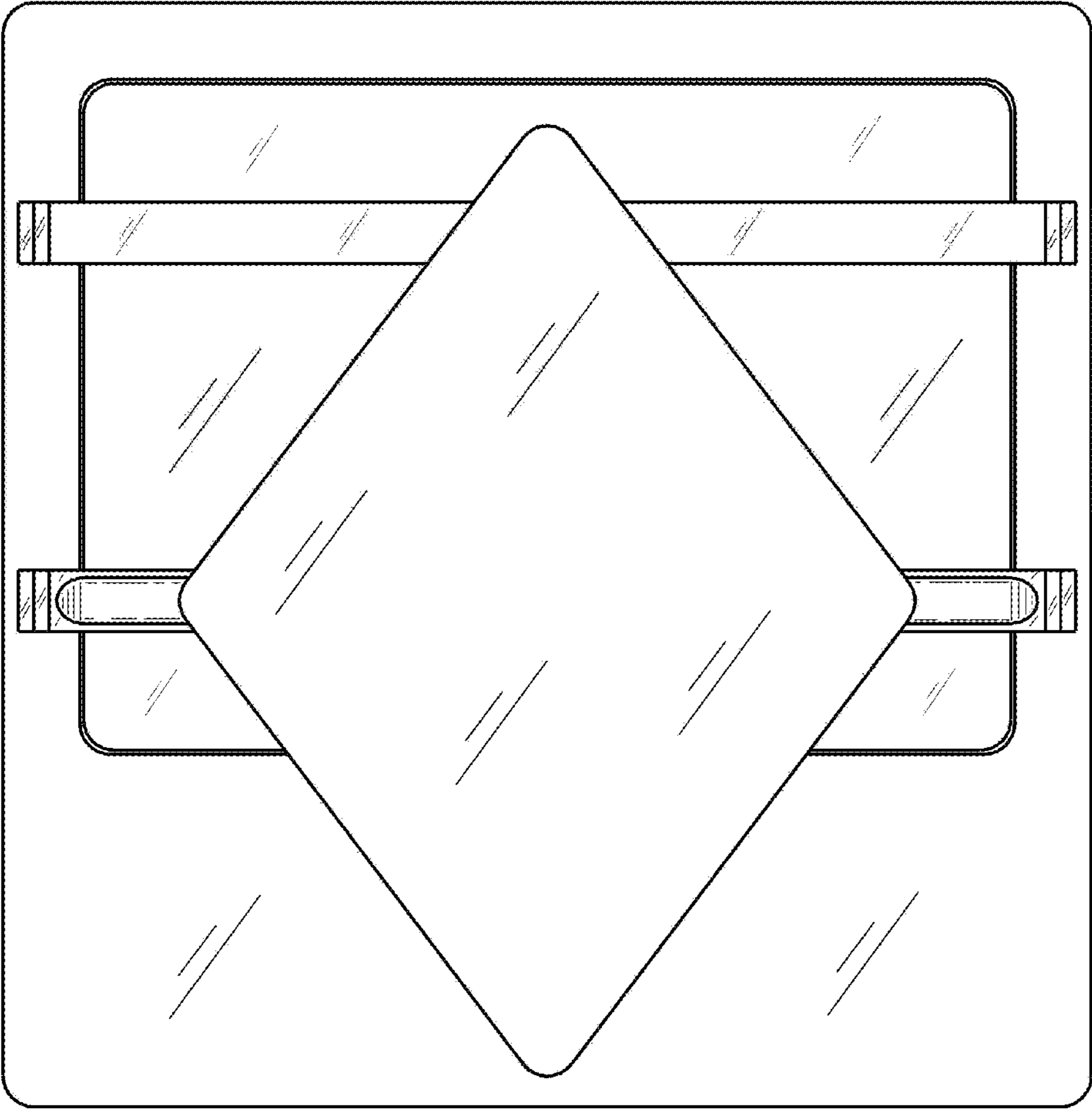


FIG. 7

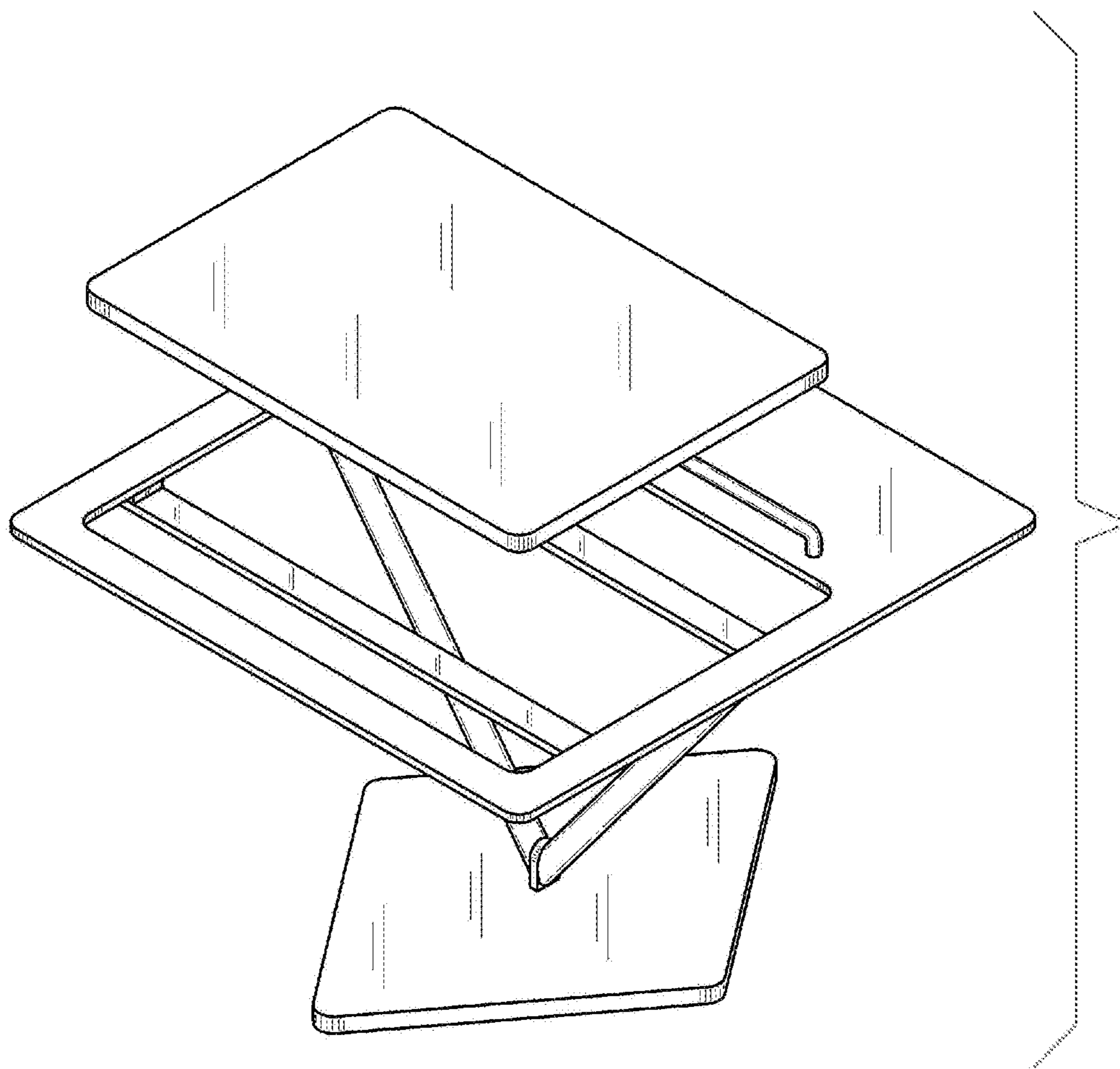


FIG. 8