



US00D718958S

(12) **United States Design Patent**
Boorazanes

(10) **Patent No.:** **US D718,958 S**

(45) **Date of Patent:** **** Dec. 9, 2014**

(54) **MEDIA CONSOLE**

(71) Applicant: **Christina Ann Boorazanes**, Joliet, IL
(US)

(72) Inventor: **Christina Ann Boorazanes**, Joliet, IL
(US)

(73) Assignee: **Christina Ann Boorazanes**, Joliet, IL
(US)

(**) Term: **14 Years**

(21) Appl. No.: **29/442,948**

(22) Filed: **Jun. 18, 2013**

(51) **LOC (10) Cl.** **06-06**

(52) **U.S. Cl.**
USPC **D6/675**

(58) **Field of Classification Search**
USPC D6/396-397, 400, 432-433, 449-450,
D6/466, 491-492, 509-511, 672,
D6/675-675.1; 312/249.9, 249.11, 273,
312/108, 157.1; 206/373; 211/126.15, 134,
211/153, 183
See application file for complete search history.

(56) **References Cited**

U.S. PATENT DOCUMENTS

2,806,606 A * 9/1957 Evans 108/27
4,582,002 A * 4/1986 Wright 108/60

D361,453 S * 8/1995 Sussman D6/474
D384,525 S * 10/1997 McBrayer et al. D6/446
D527,210 S * 8/2006 Berry et al. D6/480
D562,594 S * 2/2008 Thompson D6/474
D586,153 S * 2/2009 Maly D6/476
D587,485 S * 3/2009 Albright D6/437
D591,090 S * 4/2009 Judkins D6/484
D607,667 S * 1/2010 Cayouette D6/449
D616,226 S * 5/2010 Calco et al. D6/479
D619,826 S * 7/2010 Calco et al. D6/477
D620,283 S * 7/2010 Calco D6/477
D632,102 S * 2/2011 Sato D6/478
D665,198 S * 8/2012 Levy et al. D6/478
D705,583 S * 5/2014 Meissner et al. D6/675.1
D706,557 S * 6/2014 Meissner et al. D6/675.1
D706,559 S * 6/2014 Muller D6/678.1
2001/0037987 A1 * 11/2001 Culp 211/186
2006/0243177 A1 * 11/2006 Jones 108/180

* cited by examiner

Primary Examiner — Kelley Donnelly

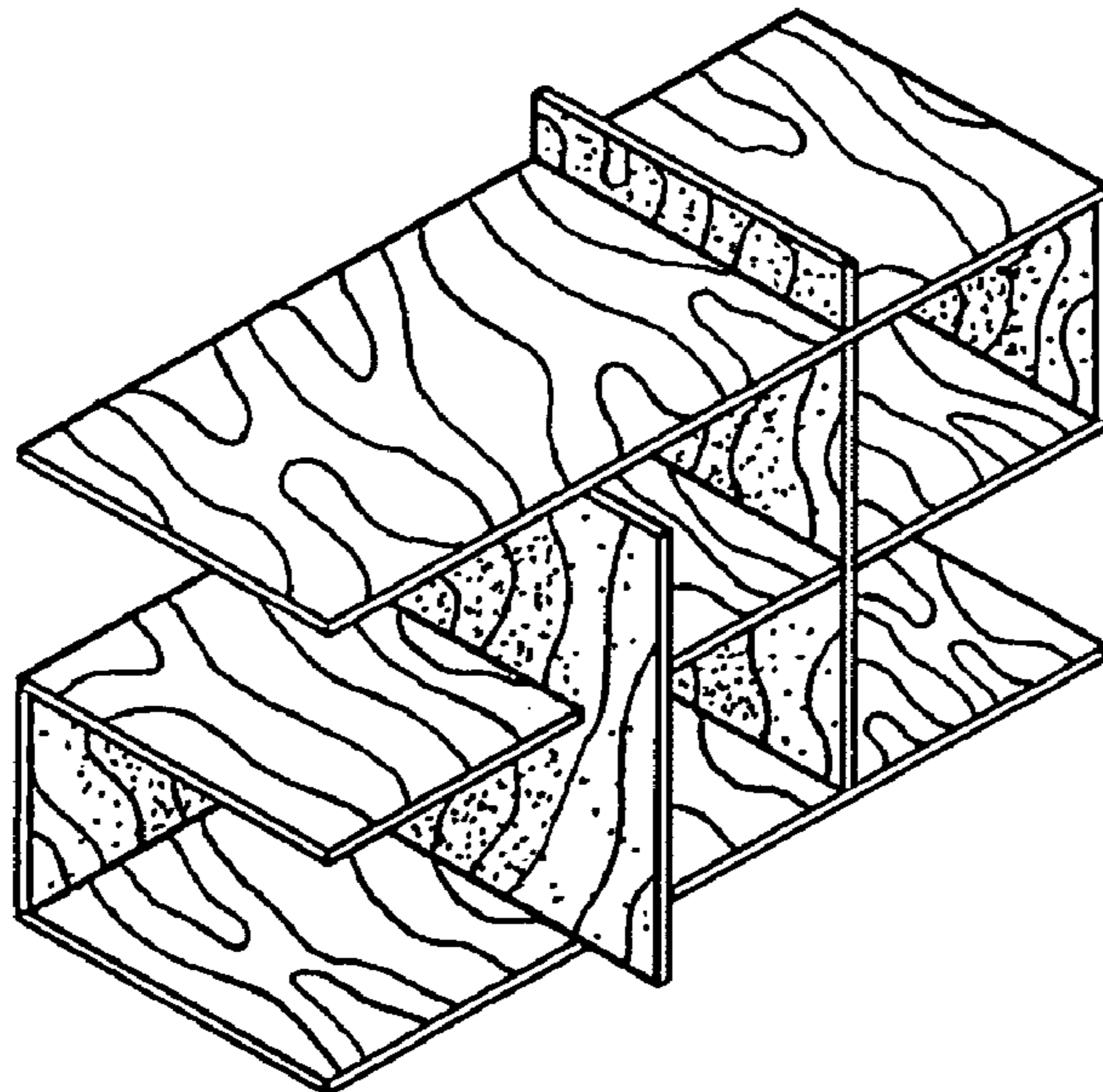
(57) **CLAIM**

The ornamental design for a media console, as shown.

DESCRIPTION

FIG. 1 is a perspective view of the media console showing my new design;
FIG. 2 is a front elevational view thereof;
FIG. 3 is a right side elevational view thereof;
FIG. 4 is a top plan view thereof;
FIG. 5 is a left side elevational view thereof; and,
FIG. 6 is a rear elevational view thereof.

1 Claim, 1 Drawing Sheet



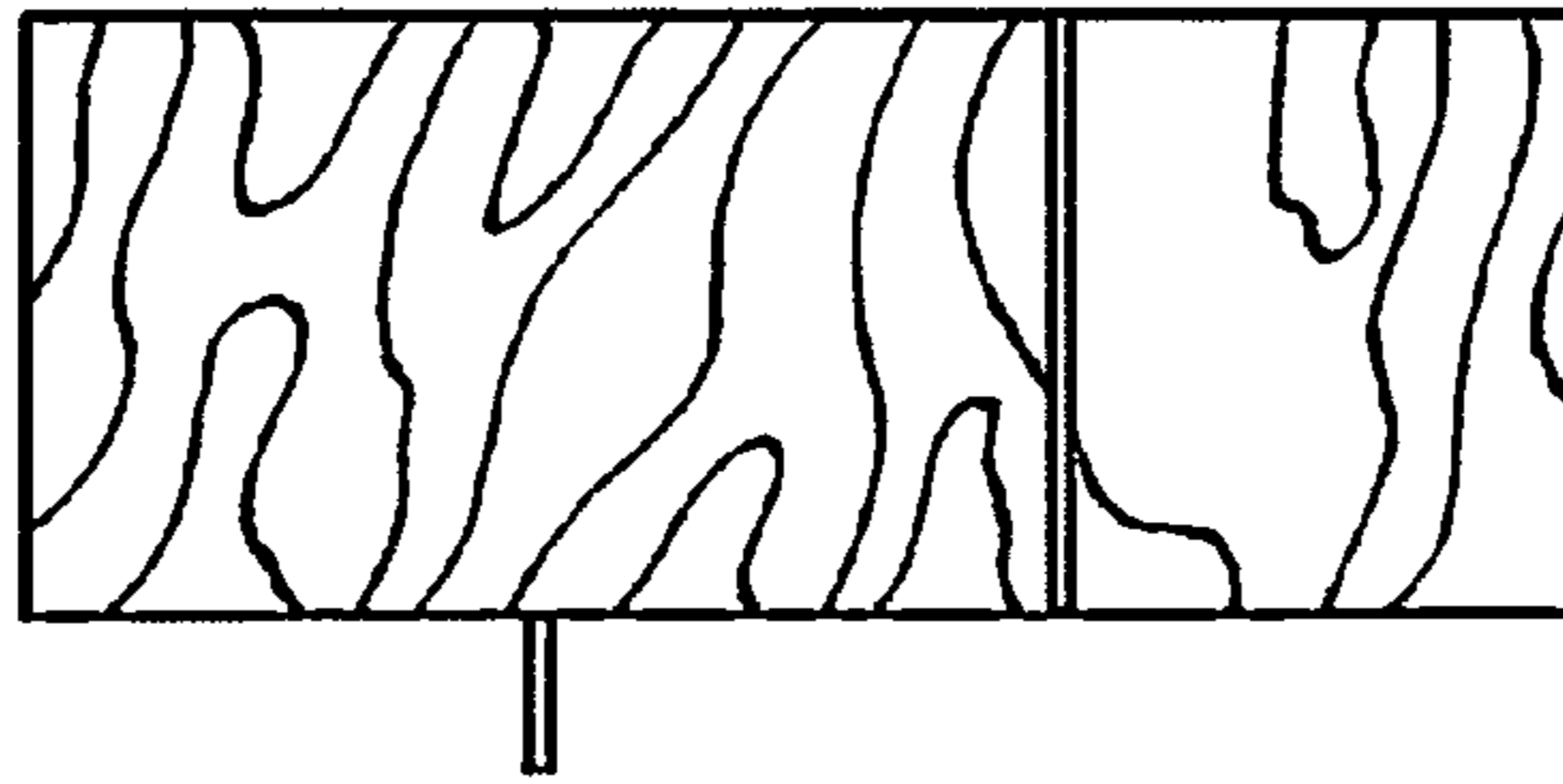


Fig. 4

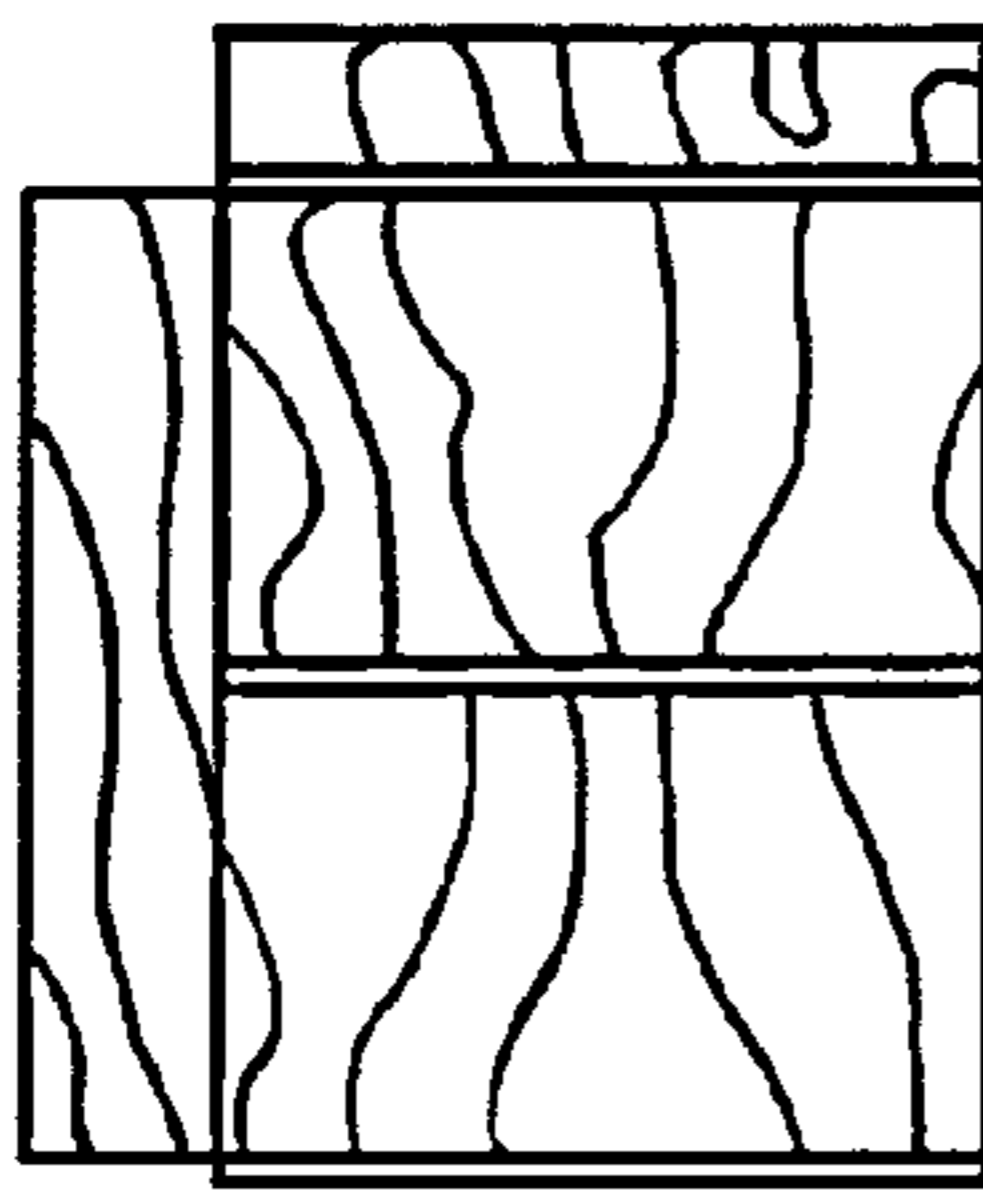


Fig. 3

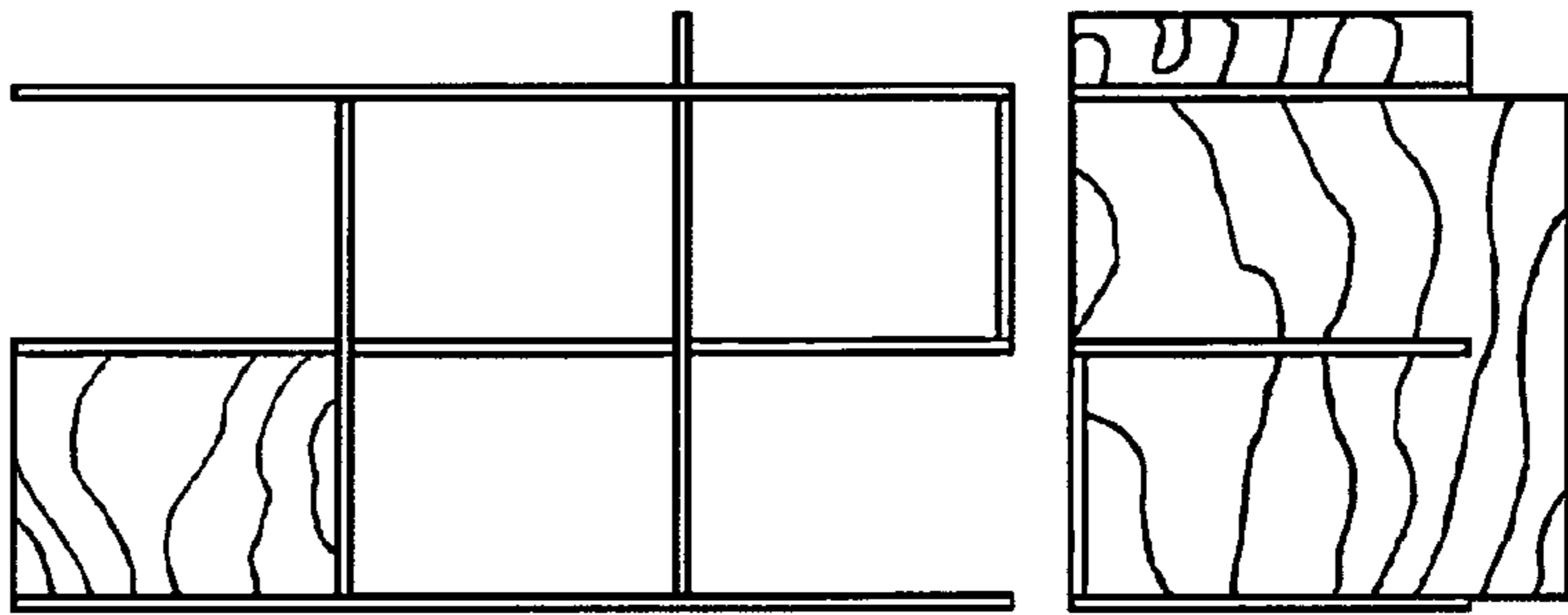


Fig. 5

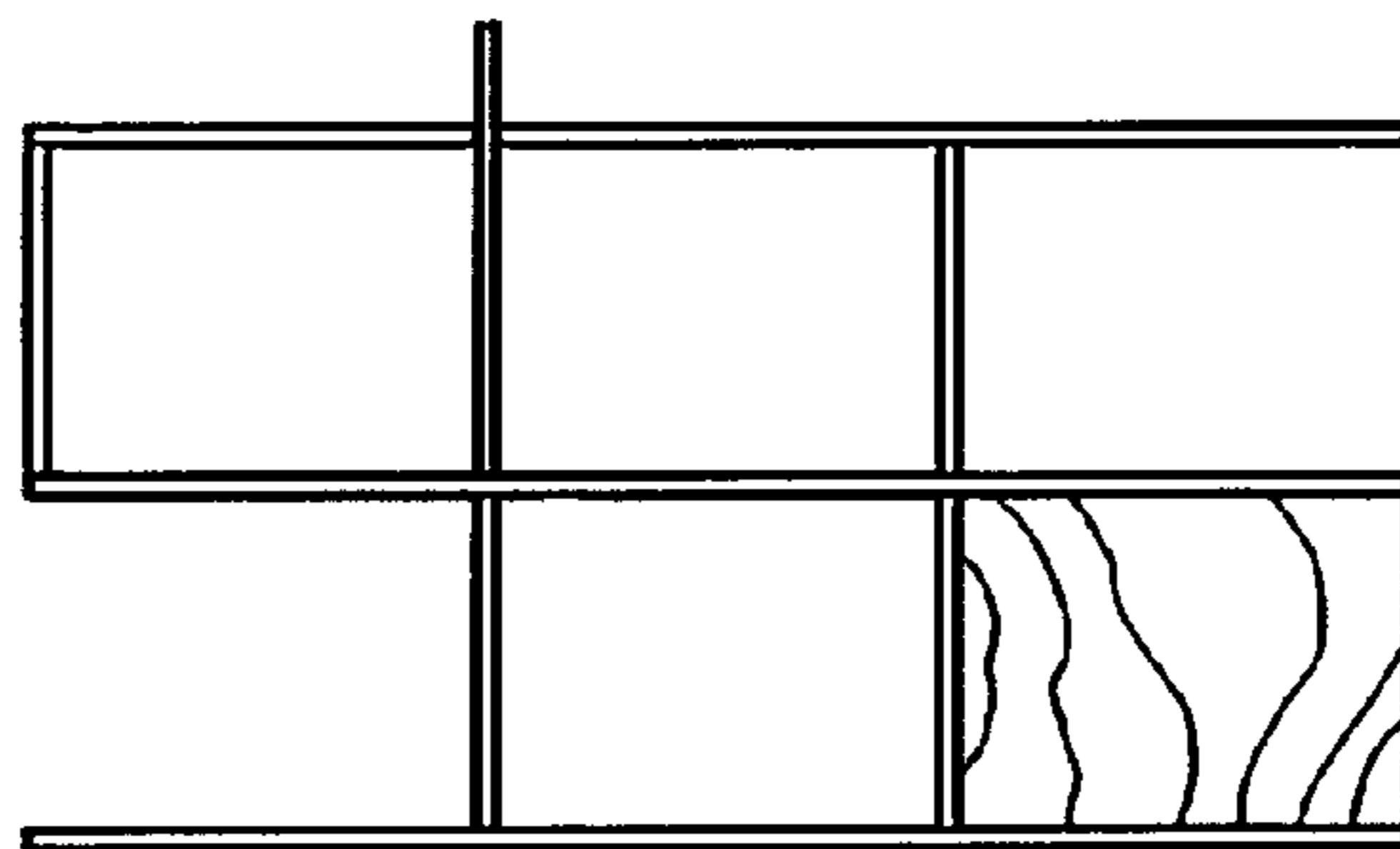


Fig. 6

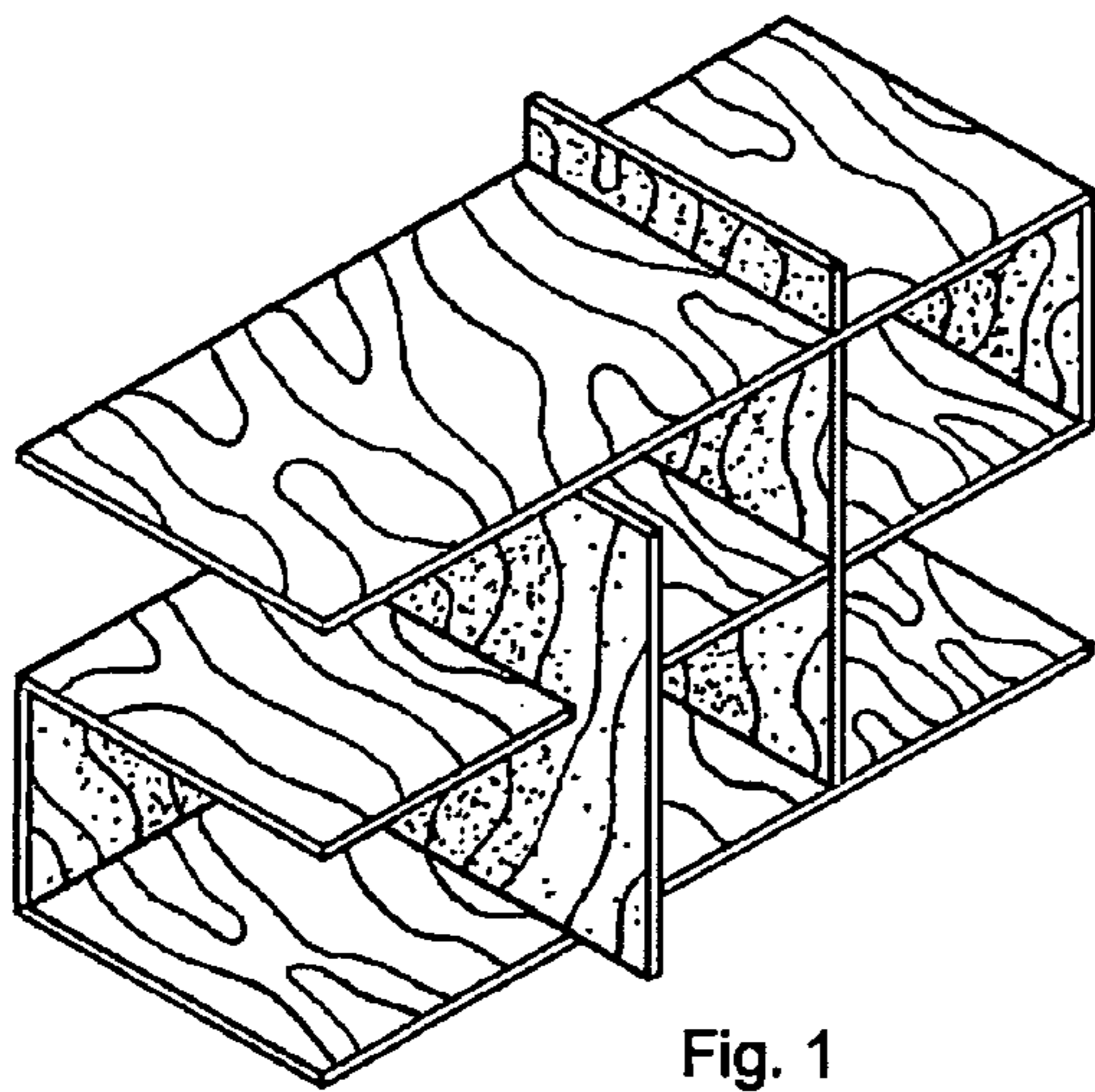


Fig. 1