



US00D718955S

(12) **United States Design Patent**  
**Helser**

(10) **Patent No.:** **US D718,955 S**

(45) **Date of Patent:** **\*\* Dec. 9, 2014**

(54) **TV BENCH**

(71) Applicant: **Chris Helser**, Surrey (CA)

(72) Inventor: **Chris Helser**, Surrey (CA)

(73) Assignee: **Corporate Images Holdings Ltd.**,  
Surrey, British Columbia (CA)

(\*\*) Term: **14 Years**

(21) Appl. No.: **29/498,184**

(22) Filed: **Jul. 31, 2014**

(51) **LOC (10) Cl.** ..... **06-04**

(52) **U.S. Cl.**

USPC ..... **D6/657**

(58) **Field of Classification Search**

CPC ..... A47B 81/06; A47B 17/04; A47B 67/005;  
A47B 83/00; A47B 47/03; A47F 5/0807;  
A47F 3/005; A47F 3/00

USPC ..... D6/657, 660, 661, 662, 662.1, 671.1;  
312/7.2, 9.1, 114, 204, 224, 237, 257.1

See application file for complete search history.

(56) **References Cited**

U.S. PATENT DOCUMENTS

D193,516 S *	9/1962	Deaton .....	D6/657
D244,900 S *	7/1977	Waxman .....	D6/657
D522,773 S *	6/2006	Becker .....	D6/661
D554,393 S *	11/2007	Yalif .....	D6/661
D559,585 S *	1/2008	Lara .....	D6/657
D598,672 S *	8/2009	Maly .....	D6/671.1
D599,577 S *	9/2009	Lara .....	D6/660

\* cited by examiner

*Primary Examiner* — Mimosa De

(57) **CLAIM**

The ornamental design for a TV bench, as shown and described.

**DESCRIPTION**

FIG. 1 is a front plan view of a TV bench showing my new design;

FIG. 2 is a rear view thereof;

FIG. 3 is a top view thereof;

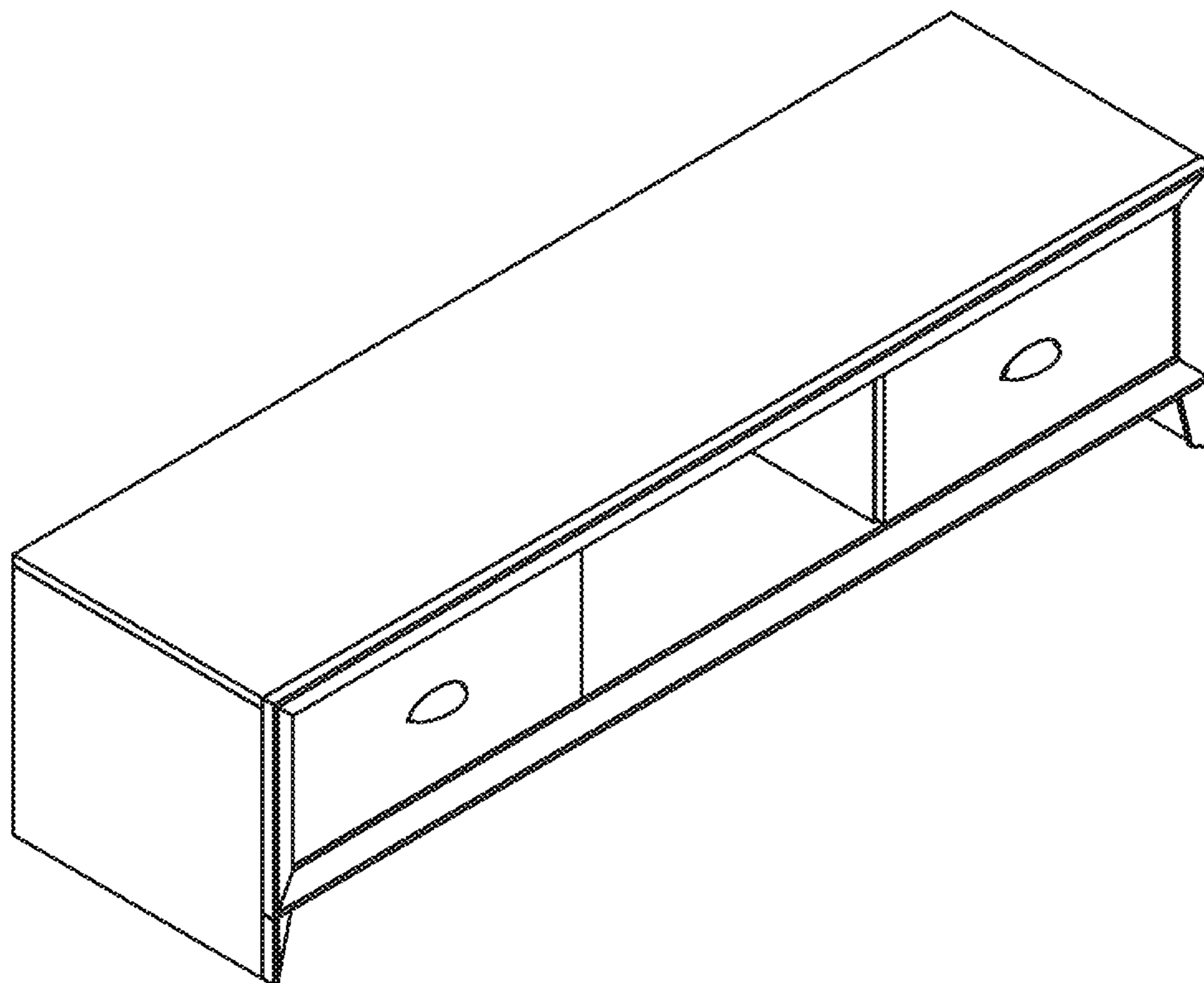
FIG. 4 is a bottom, view thereof;

FIG. 5 is a left side view thereof;

FIG. 6 is a right side view thereof; and,

FIG. 7 is a perspective view thereof.

**1 Claim, 4 Drawing Sheets**



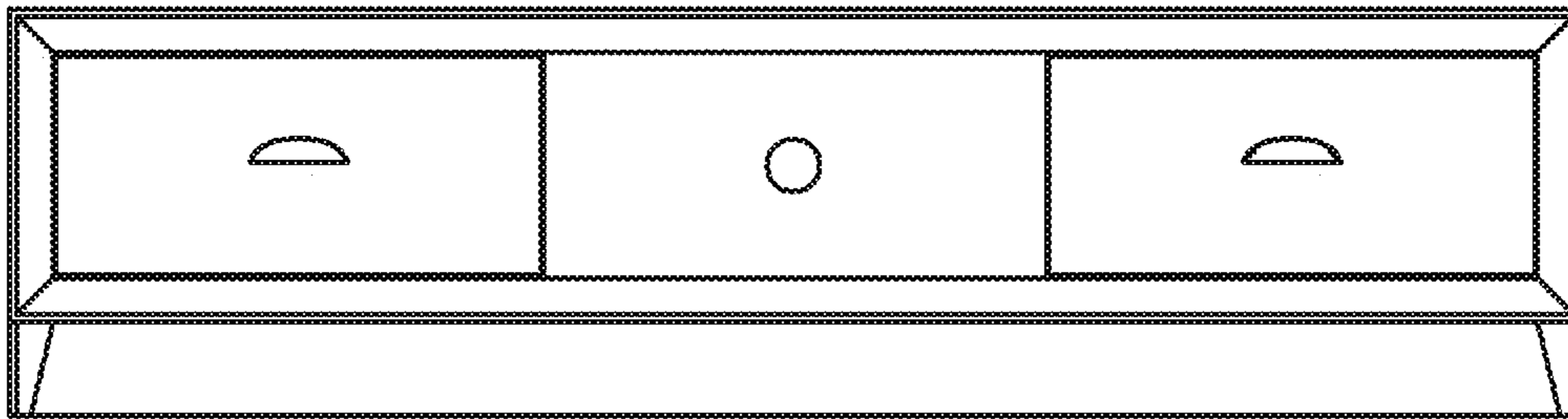


Fig. 1

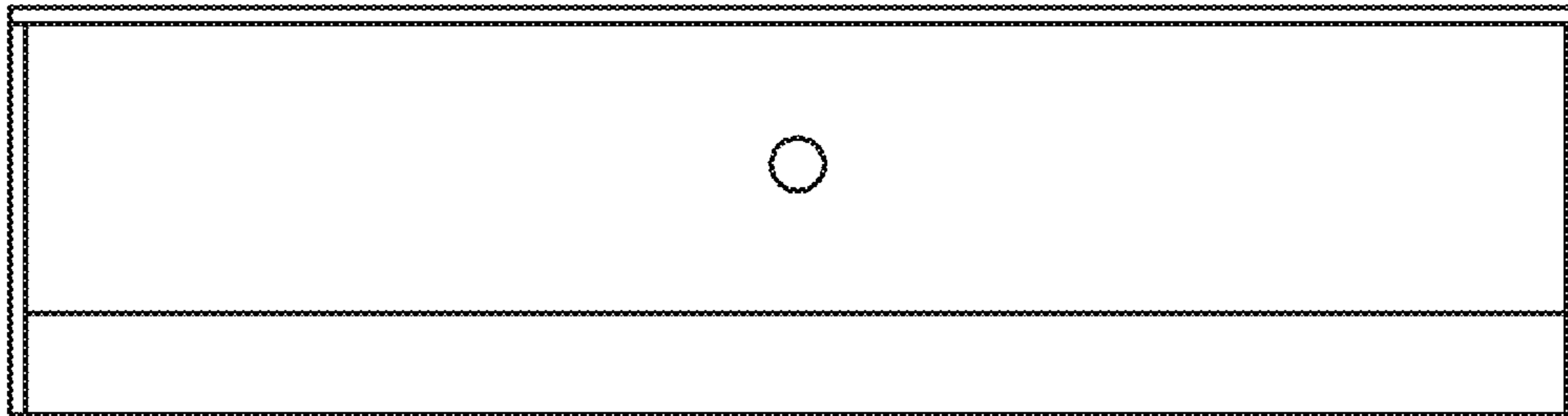


Fig. 2



Fig. 3

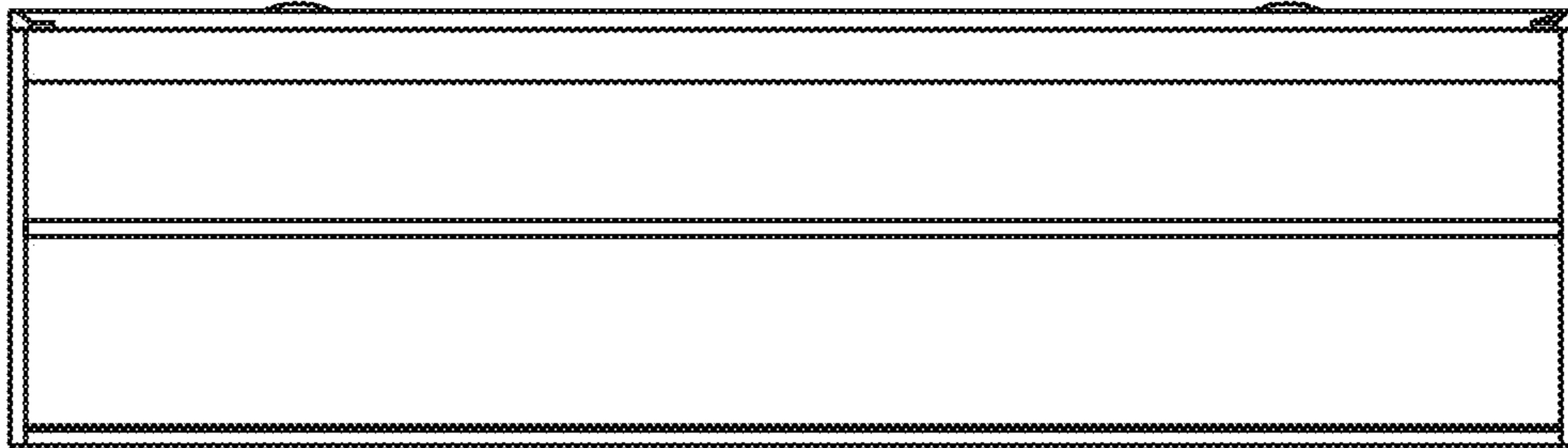


Fig. 4

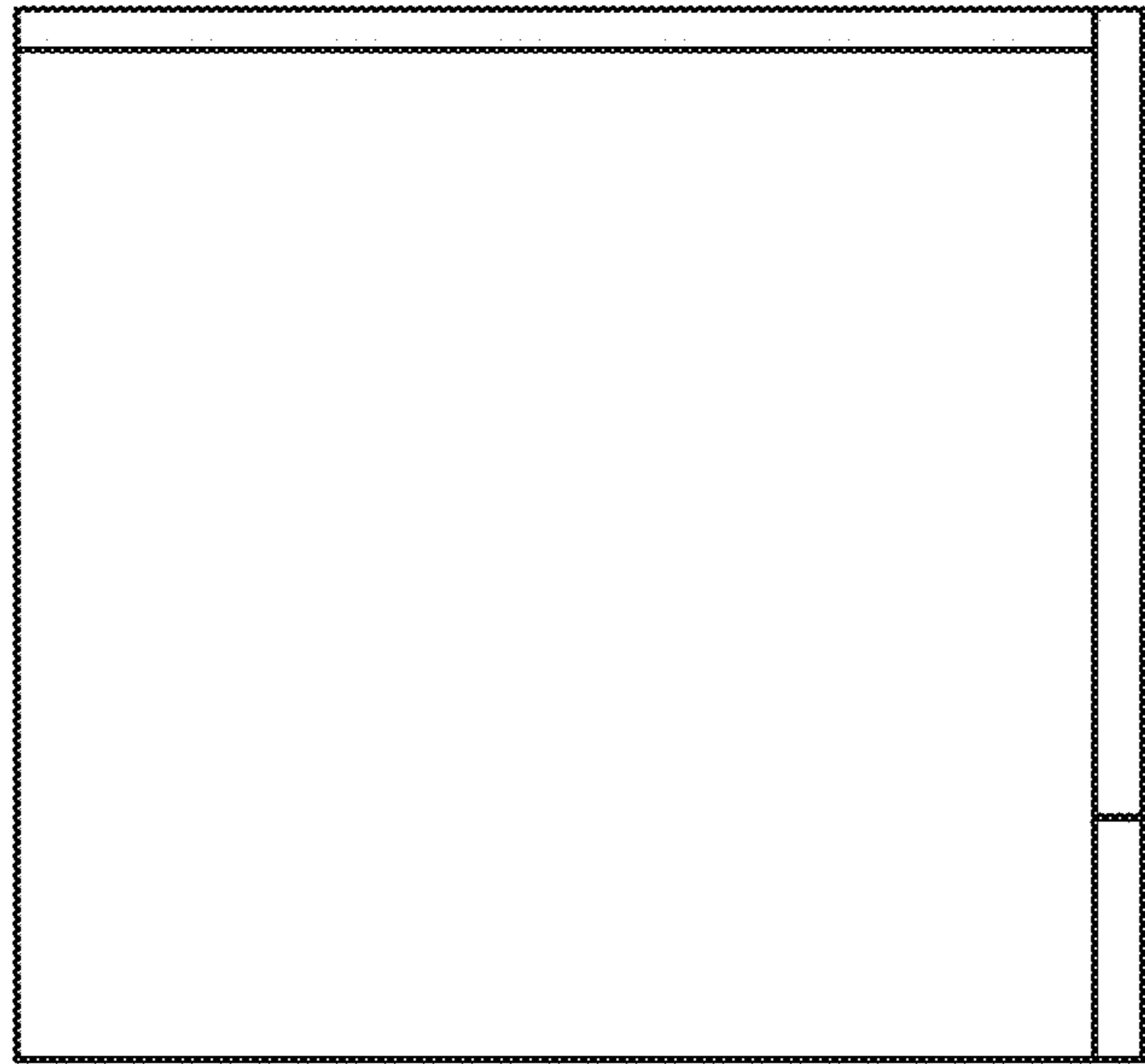


Fig. 5

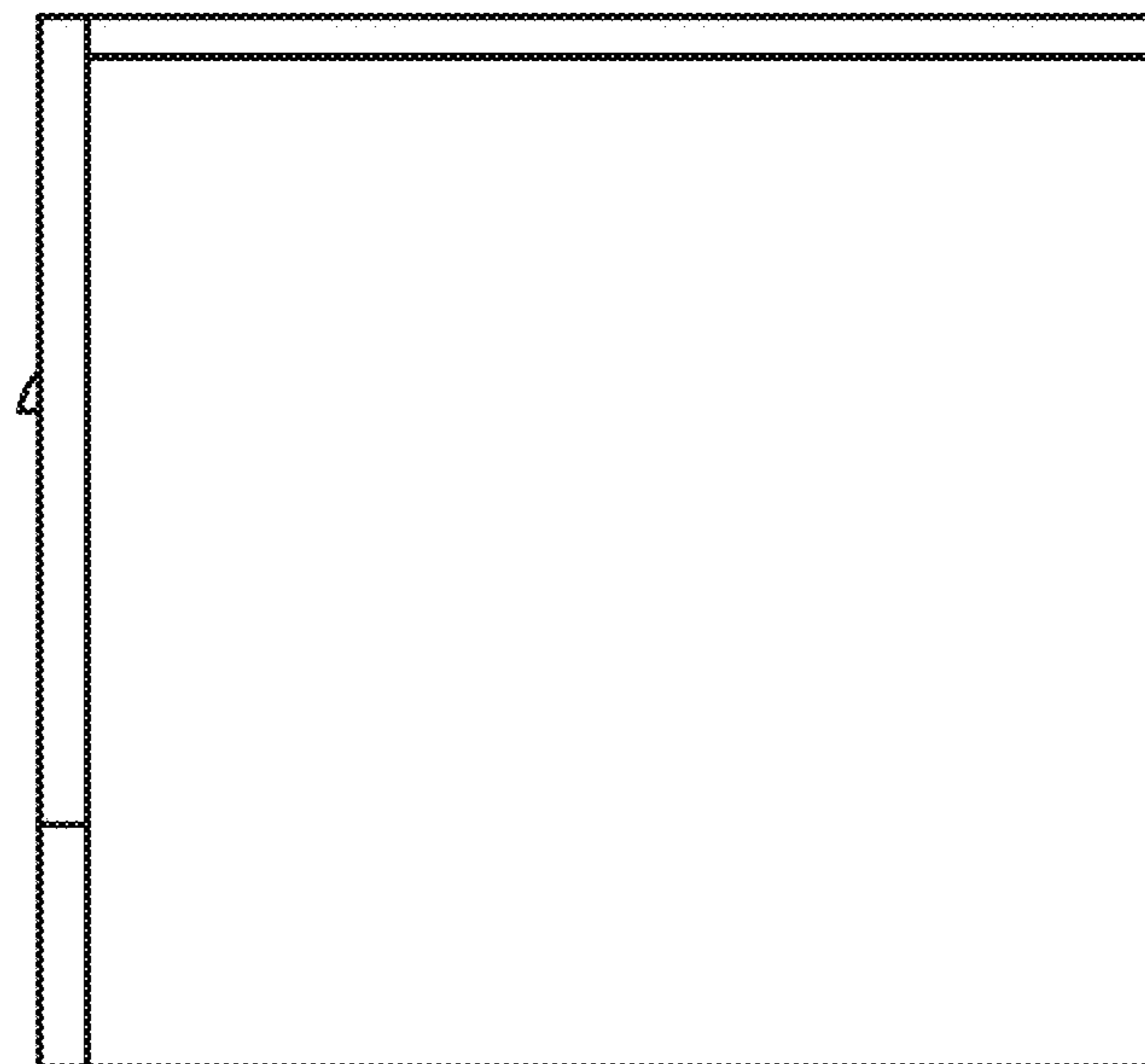


Fig. 6

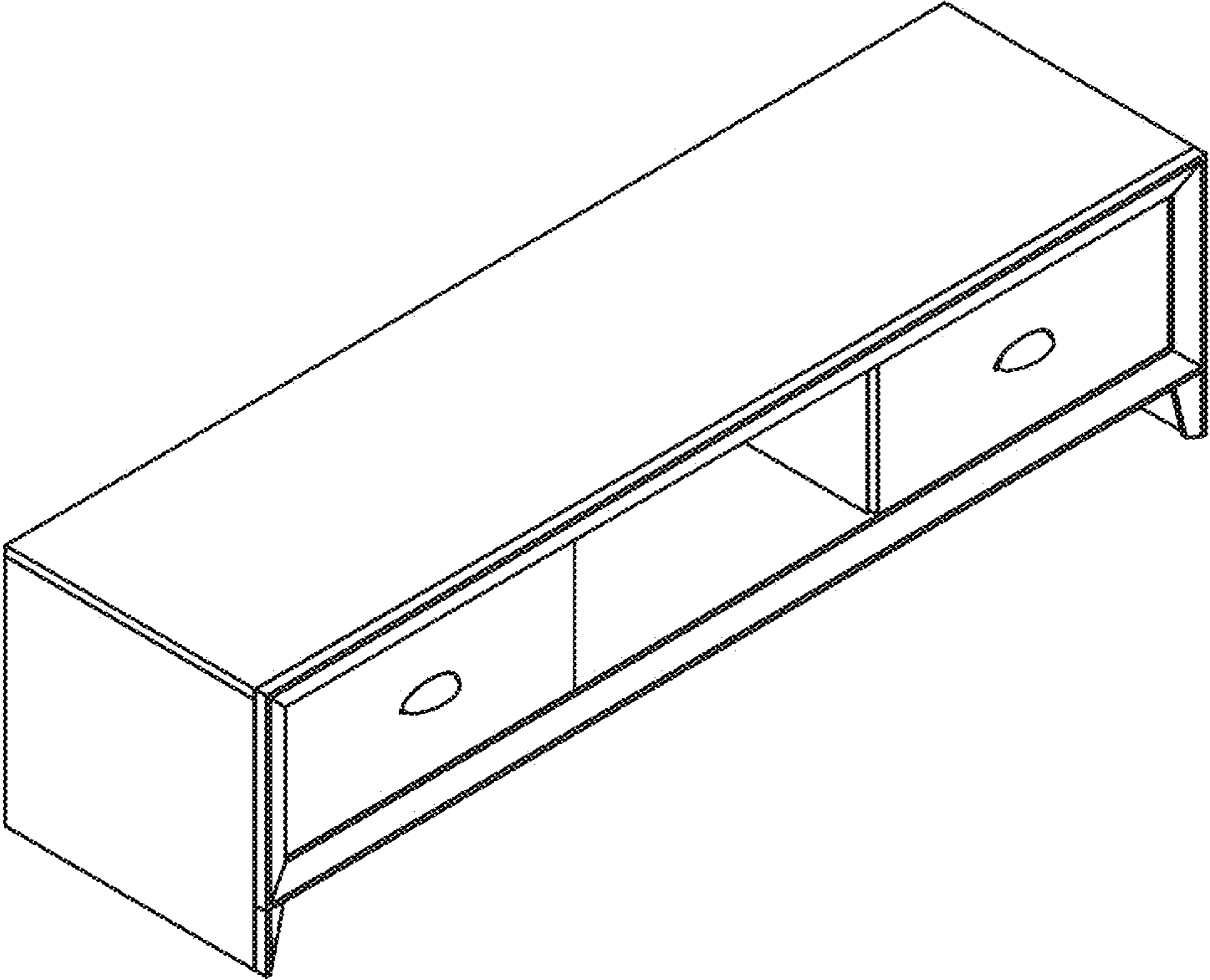


Fig. 7