



US00D718954S

(12) **United States Design Patent**
Konishi

(10) **Patent No.:** **US D718,954 S**

(45) **Date of Patent:** **** Dec. 9, 2014**

(54) **AUTOMATIC SOAP DISPENSER**

(71) Applicant: **TOTO, Ltd.**, Kitakyushu (JP)

(72) Inventor: **Karo Konishi**, Kitakyushu (JP)

(73) Assignee: **TOTO, Ltd.**, Kitakyushu-shi, Fukuoka (JP)

(**) Term: **14 Years**

(21) Appl. No.: **29/481,086**

(22) Filed: **Jan. 31, 2014**

(51) **LOC (10) Cl.** **23-02**

(52) **U.S. Cl.**
USPC **D6/542**

(58) **Field of Classification Search**
USPC D6/542-545; D9/682, 688, 690, 291,
D9/448, 449; 221/282; 222/14, 173, 146.3,
222/628, 251, 181.1, 181.3; D23/238, 242
See application file for complete search history.

(56) **References Cited**

U.S. PATENT DOCUMENTS

D349,649 S *	8/1994	Hanna	D6/542
D438,041 S *	2/2001	Huang	D6/542
D480,643 S *	10/2003	Dretzka	D6/542
D486,335 S *	2/2004	Sonneman	D6/542
D496,262 S *	9/2004	Dretzka	D6/542
D528,912 S *	9/2006	van der Heijden et al.	D6/542
D550,011 S *	9/2007	Kennard	D6/542
D635,221 S *	3/2011	Rubin et al.	D23/238

D662,185 S *	6/2012	Sieger	D23/238
D685,878 S *	7/2013	Fritz	D23/238
D697,588 S *	1/2014	Schoenherr et al.	D23/238

* cited by examiner

Primary Examiner — Brian N Vinson

(74) *Attorney, Agent, or Firm* — Banner & Witcoff, Ltd.

(57) **CLAIM**

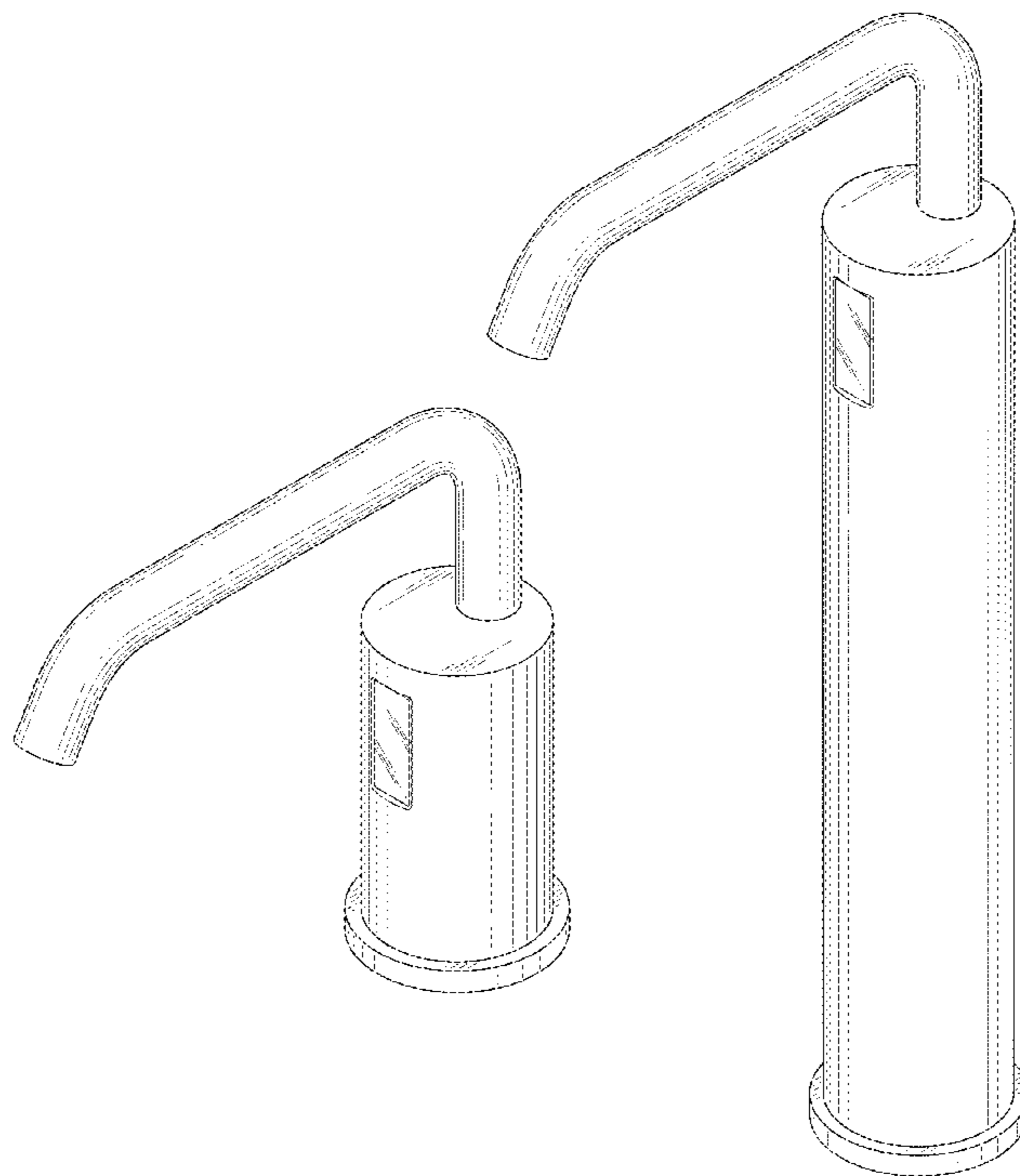
The ornamental design for an automatic soap dispenser, as shown and described.

DESCRIPTION

FIG. 1 is a perspective view of a first embodiment of an automatic soap dispenser showing my new design;
 FIG. 2 is a front view thereof;
 FIG. 3 is a rear view thereof;
 FIG. 4 is a left side view thereof;
 FIG. 5 is a right side view thereof;
 FIG. 6 is a top view thereof;
 FIG. 7 is a bottom view thereof;
 FIG. 8 is a perspective view of a second embodiment of an automatic soap dispenser showing my new design;
 FIG. 9 is a front view thereof;
 FIG. 10 is a rear view thereof;
 FIG. 11 is a left side view thereof;
 FIG. 12 is a right side view thereof;
 FIG. 13 is a top view thereof; and,
 FIG. 14 is a bottom view thereof.

The broken lines shown are included for the purpose of illustrating the unclaimed portions of the automatic soap dispenser and form no part of the claimed design.

1 Claim, 9 Drawing Sheets



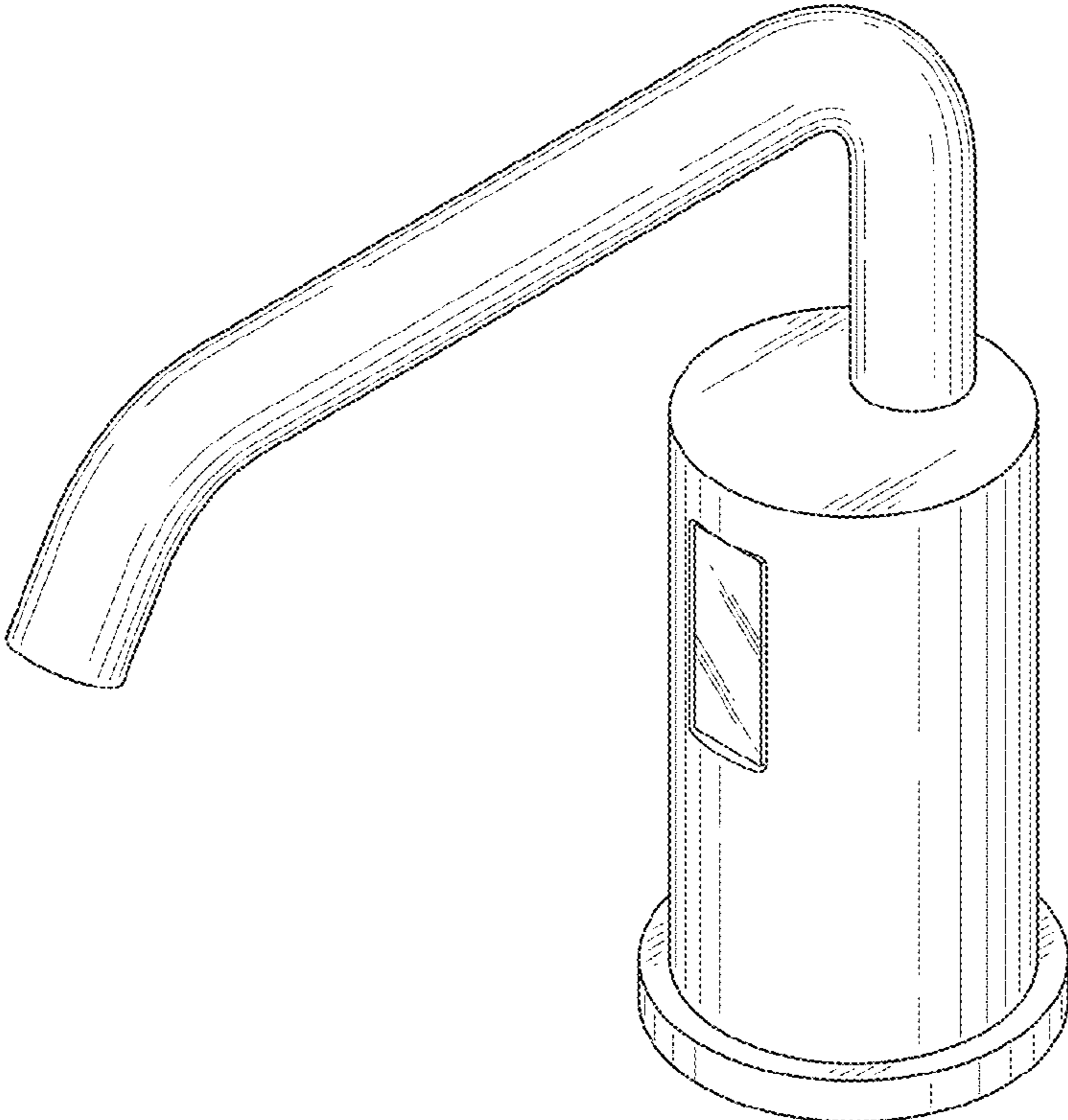


FIG. 1

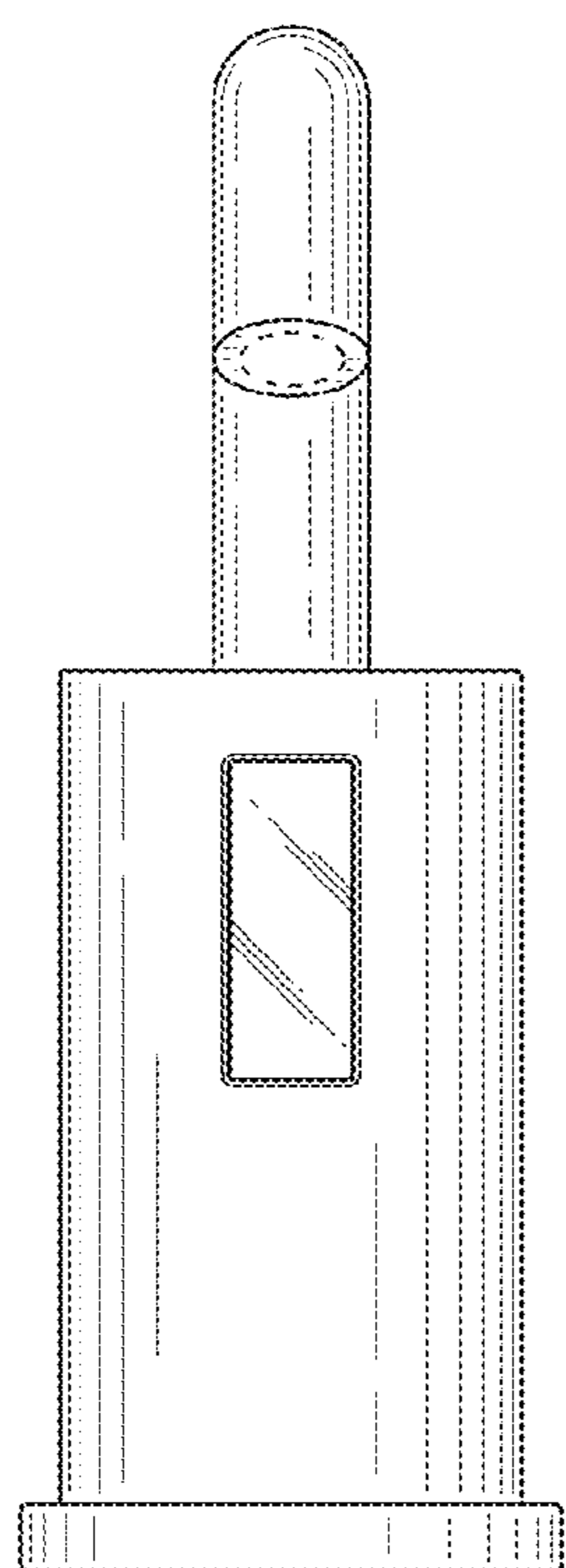


FIG. 2

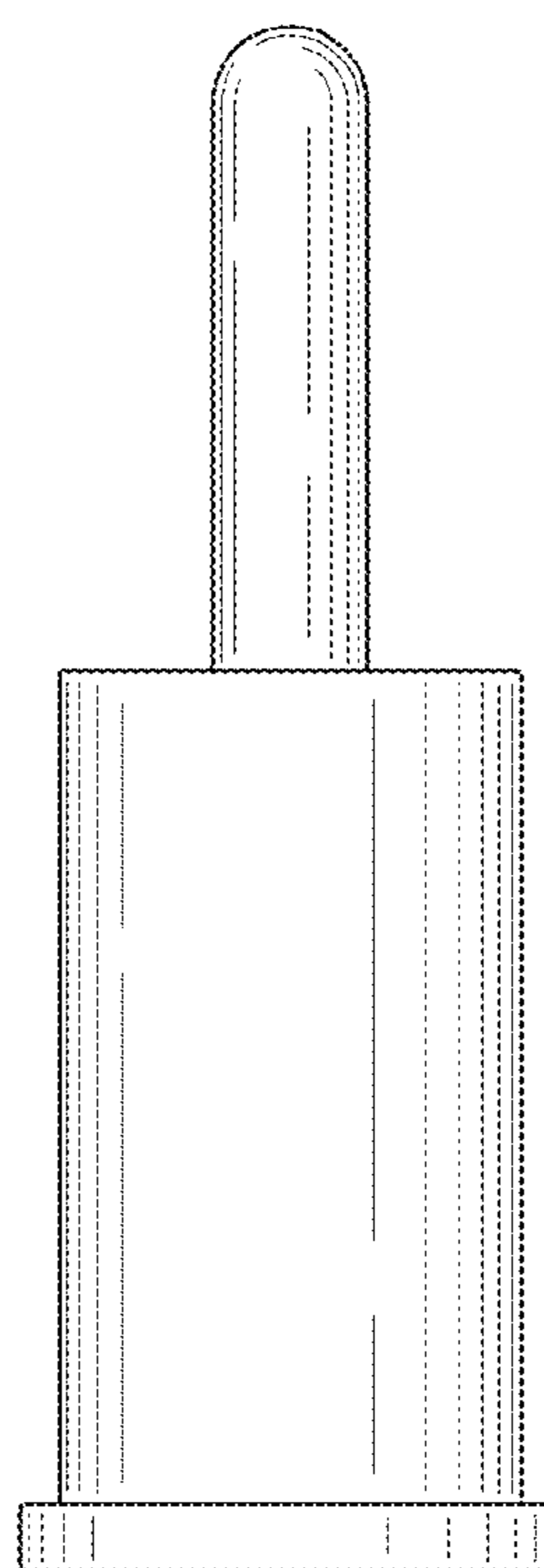


FIG. 3

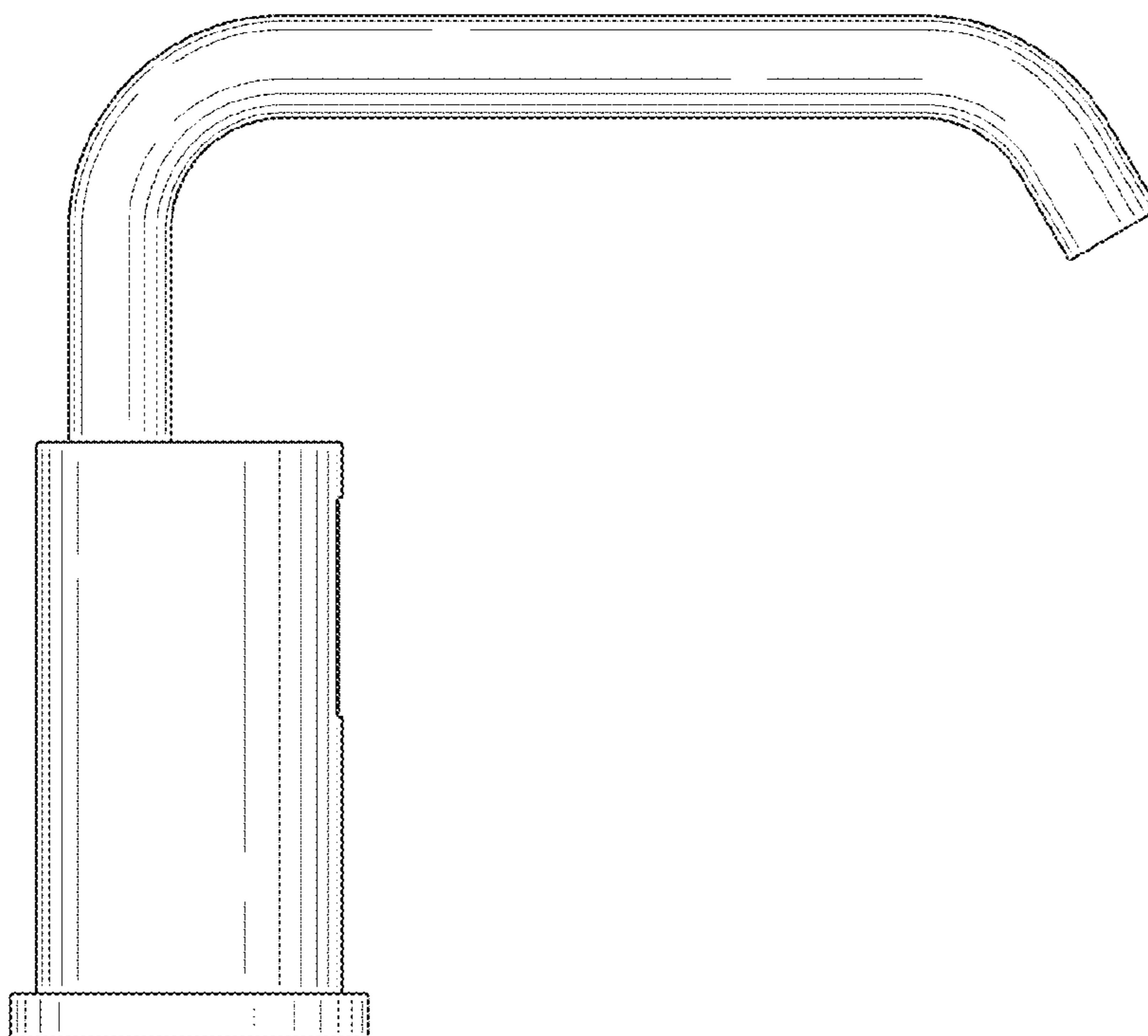


FIG. 4

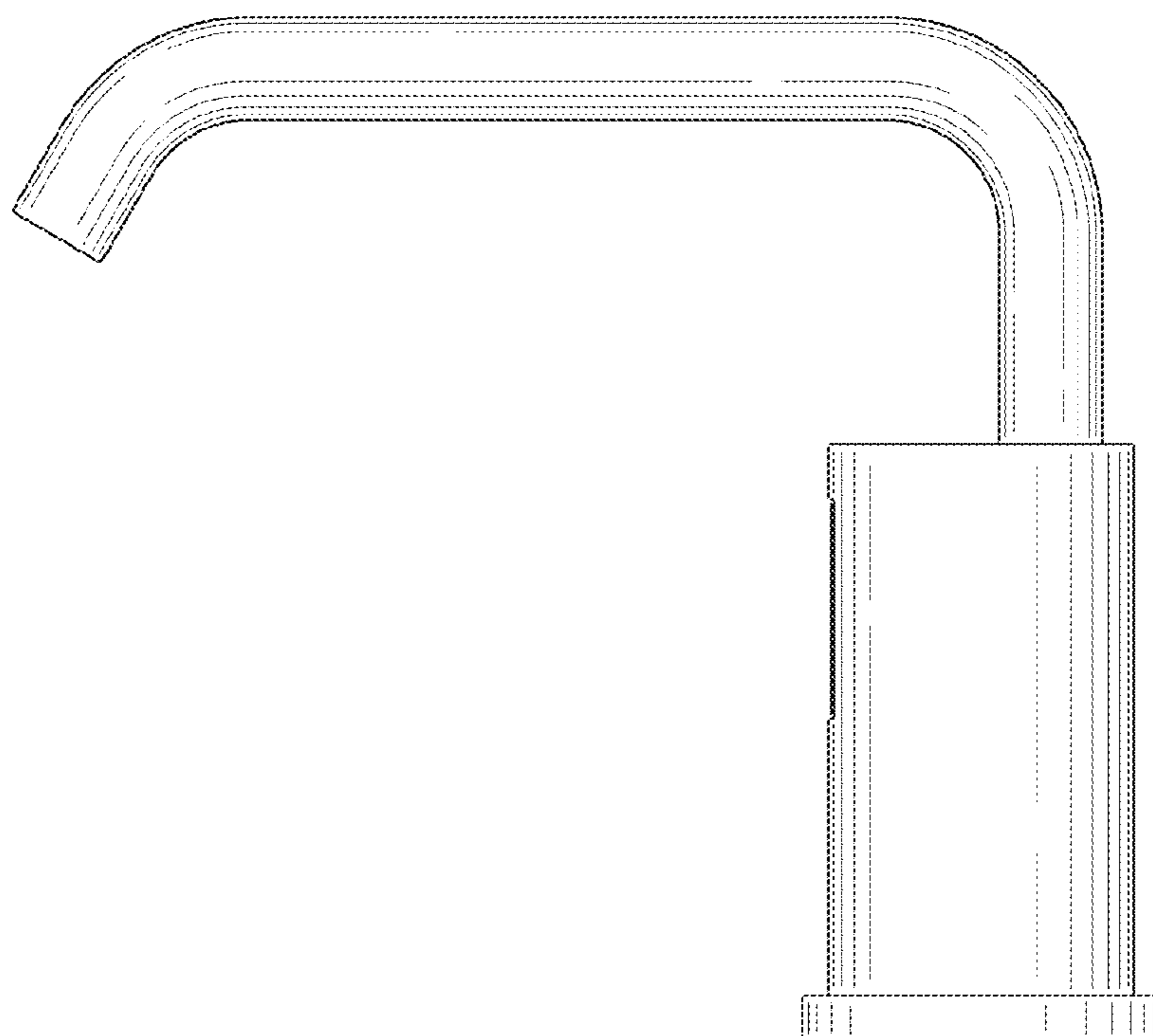


FIG. 5

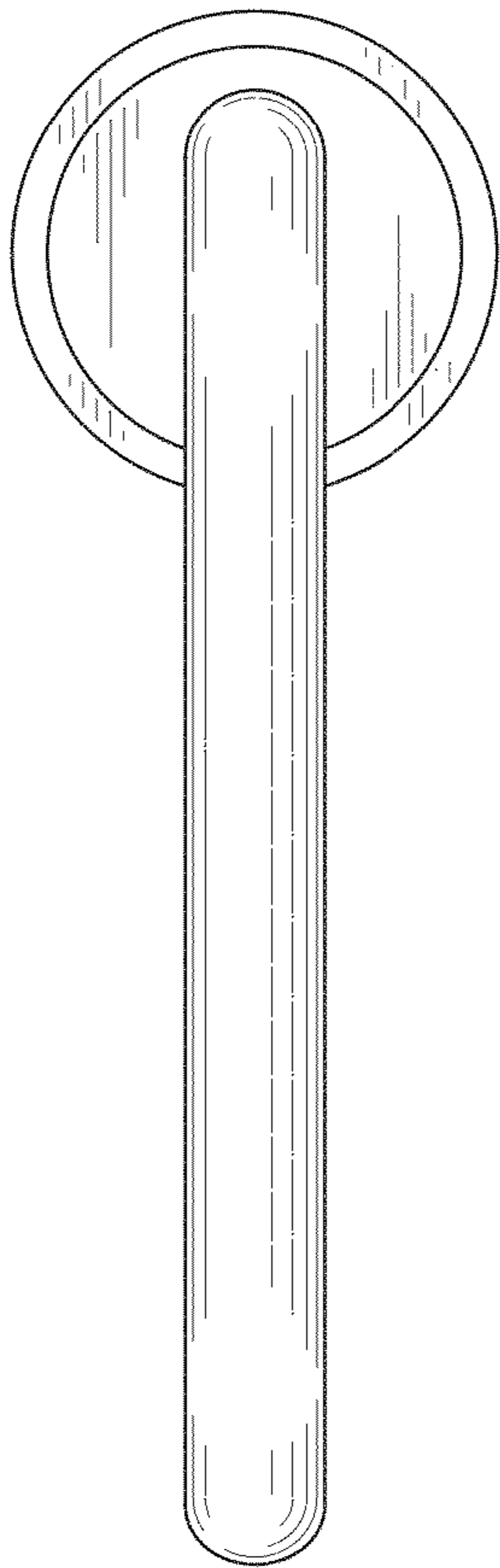


FIG. 6

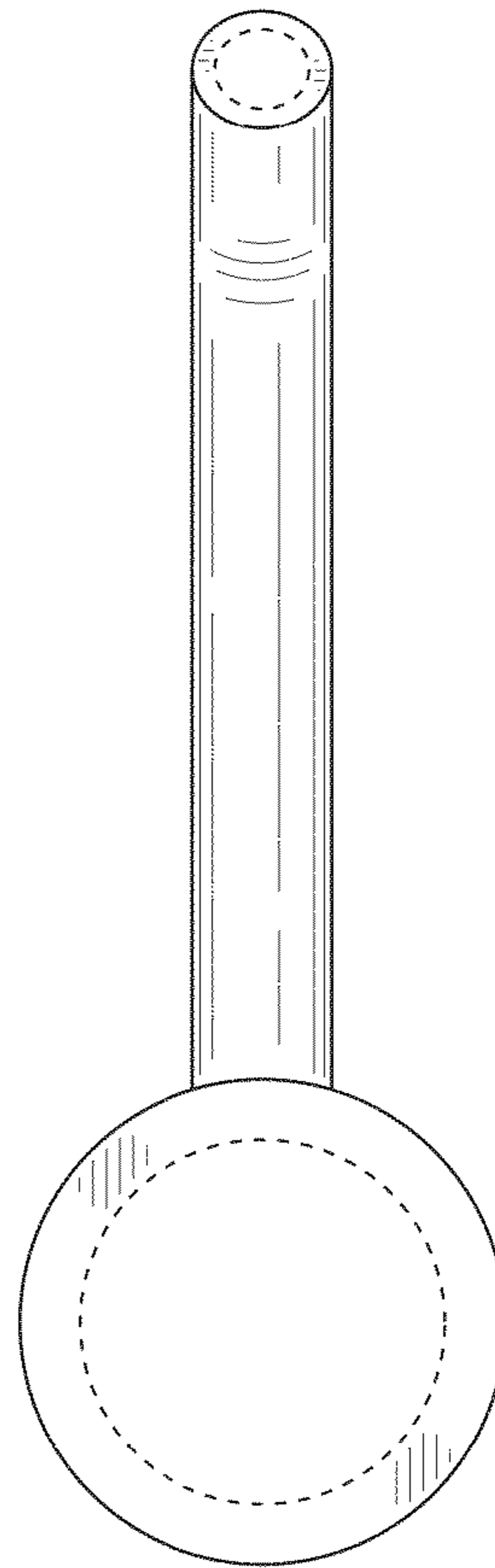


FIG. 7

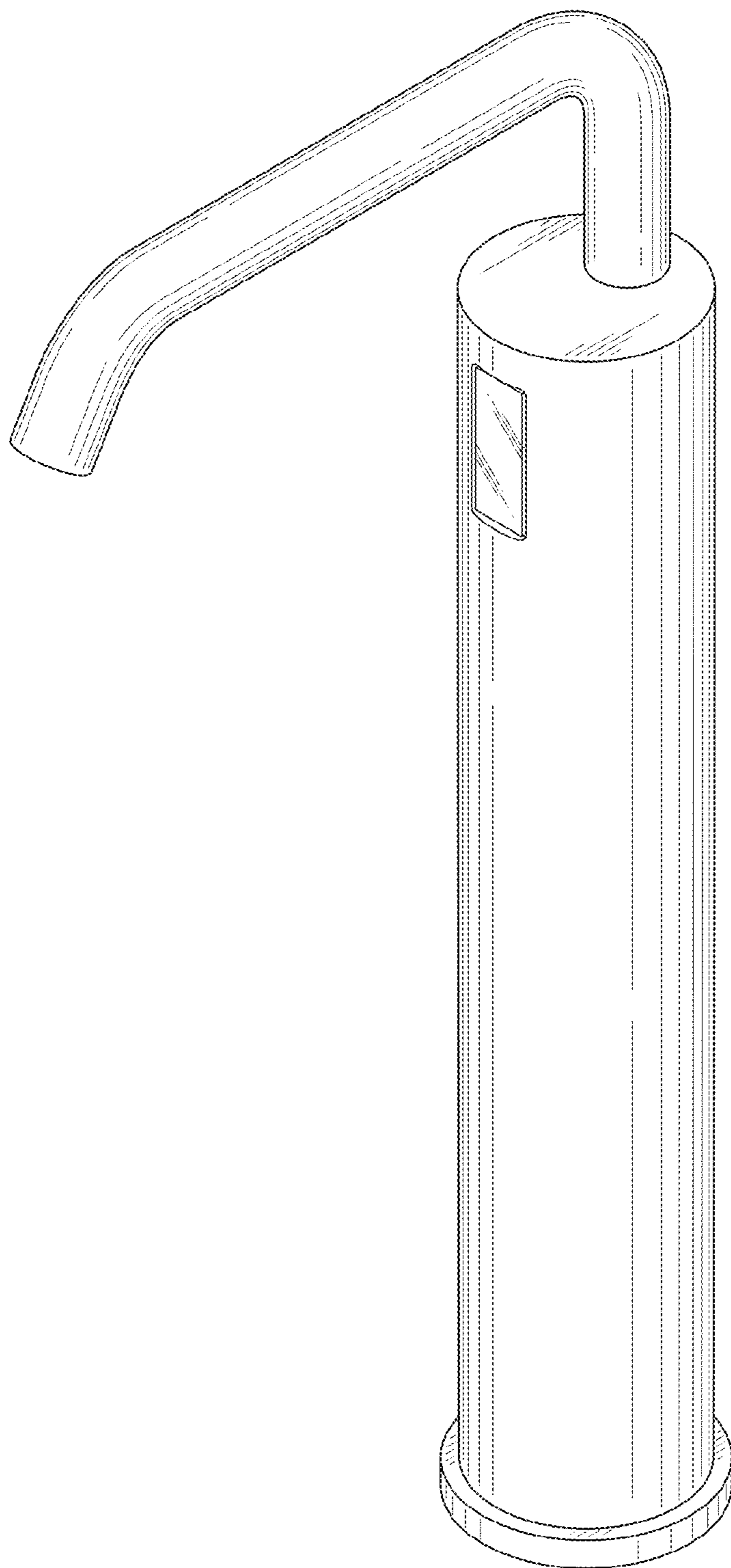


FIG. 8

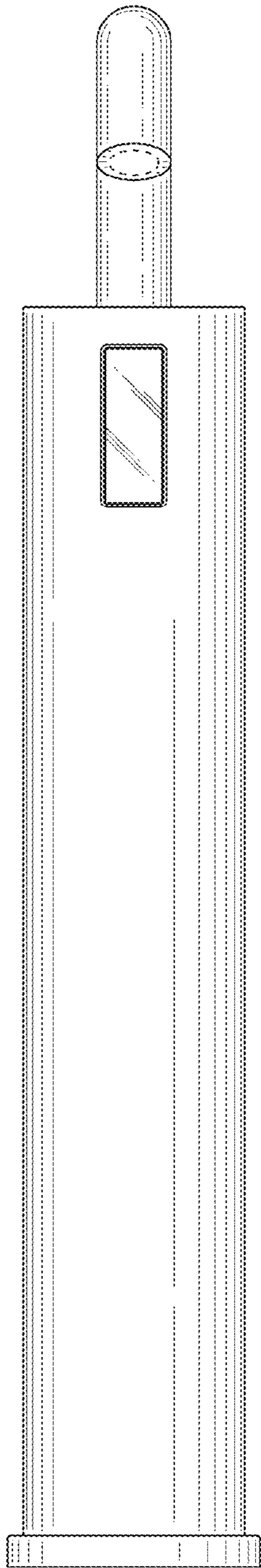


FIG. 9

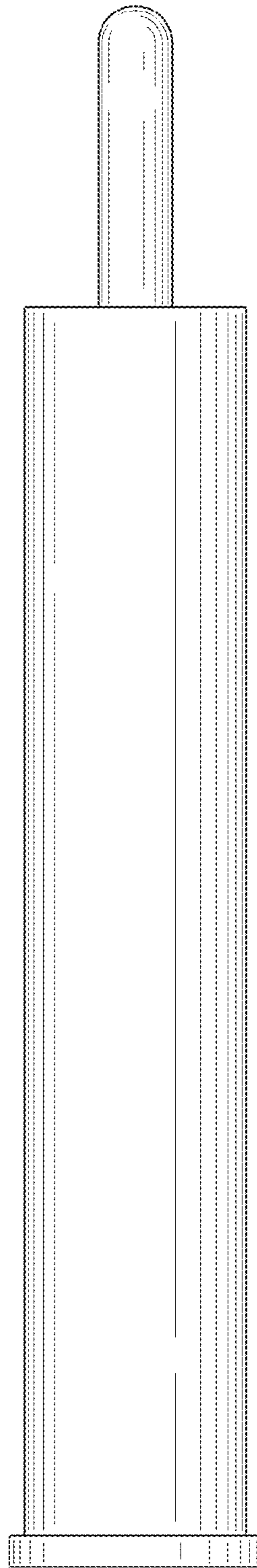


FIG. 10

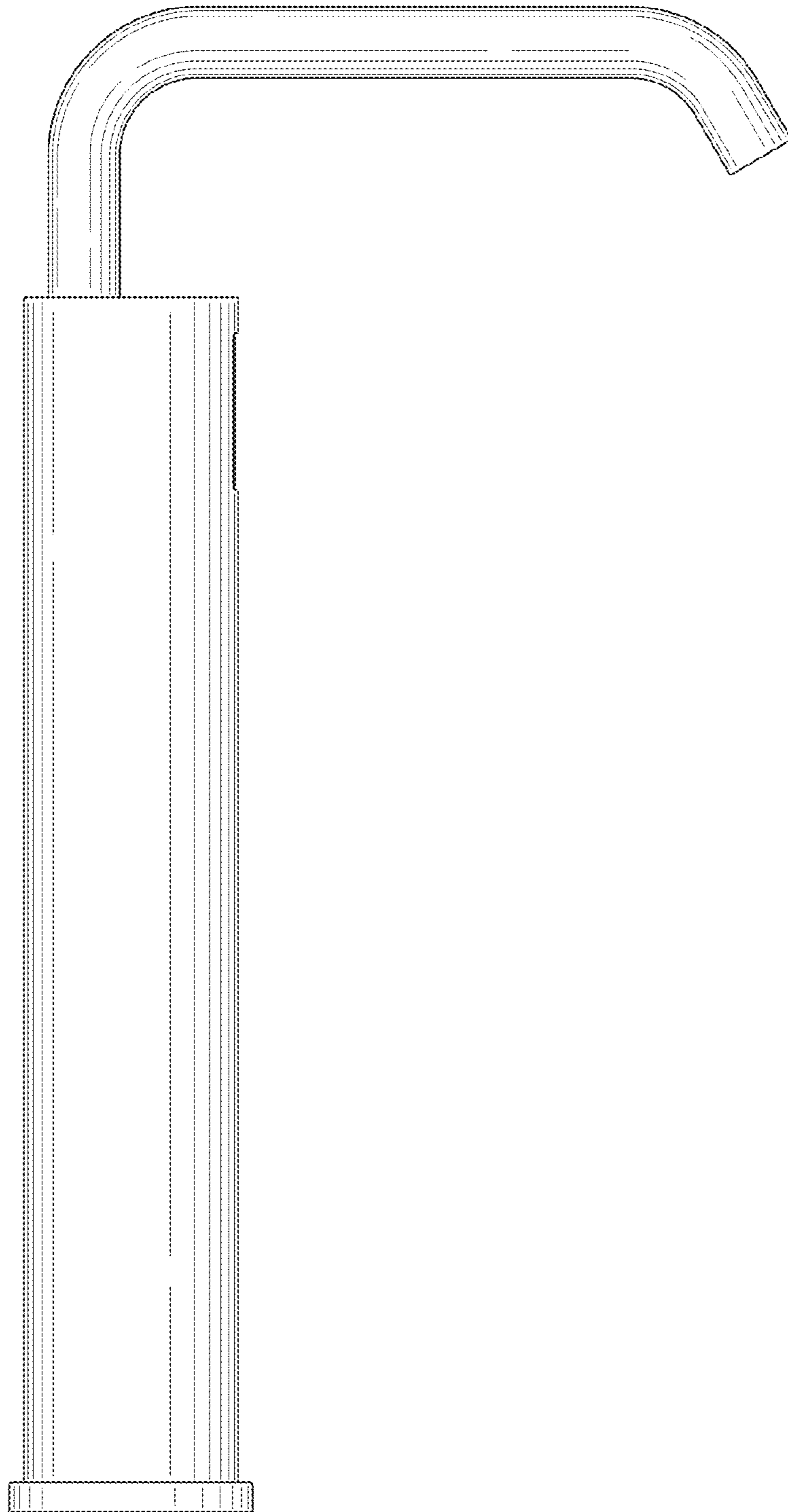


FIG. 11

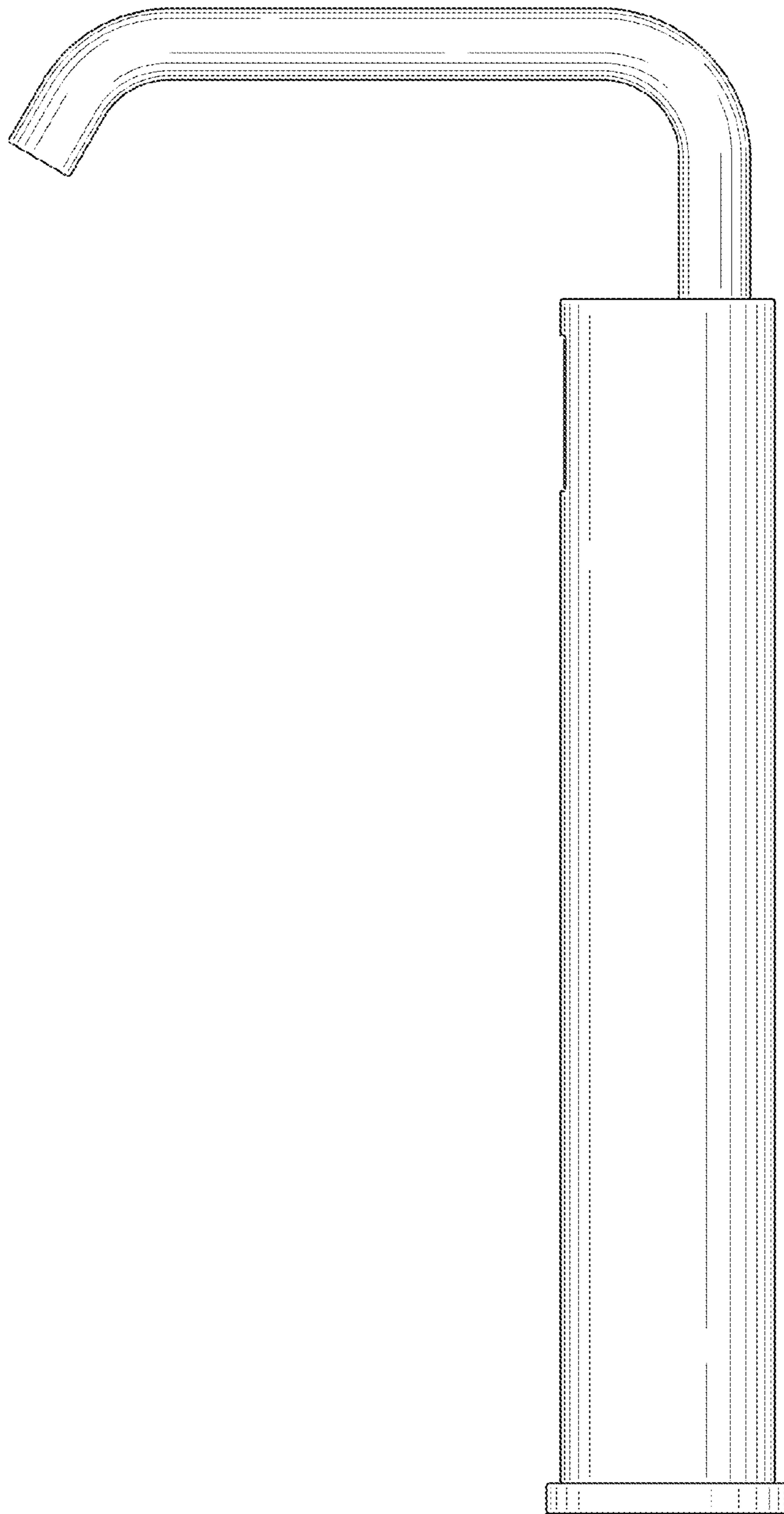


FIG. 12

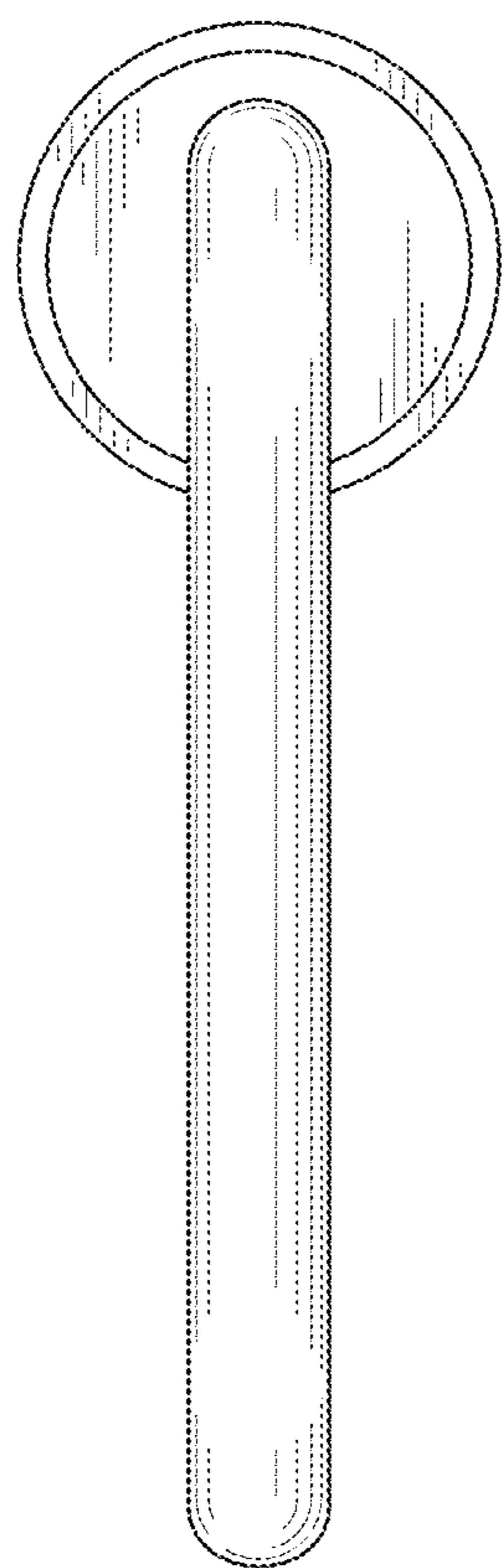


FIG. 13

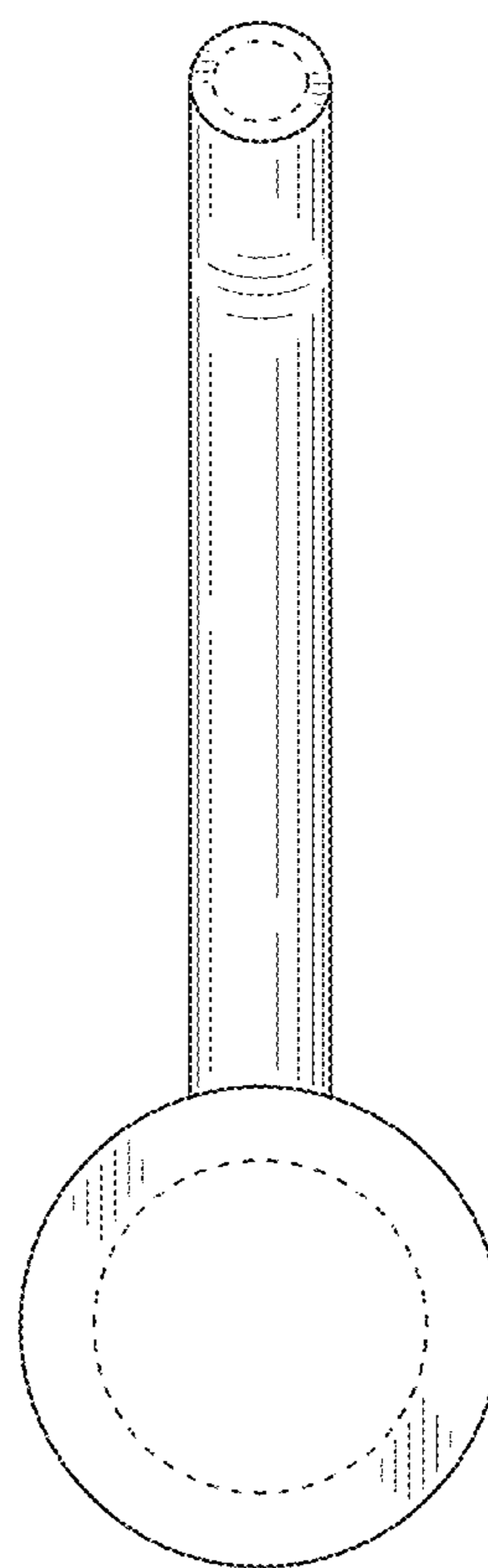


FIG. 14