



US00D718953S

(12) **United States Design Patent**
Masino

(10) **Patent No.:** **US D718,953 S**

(45) **Date of Patent:** **** Dec. 9, 2014**

(54) **SANITARY WIPE DISPENSER**

(71) Applicant: **Angelo Masino**, Elmwood Park, NJ (US)

(72) Inventor: **Angelo Masino**, Elmwood Park, NJ (US)

(**) Term: **14 Years**

(21) Appl. No.: **29/482,474**

(22) Filed: **Feb. 19, 2014**

(51) **LOC (10) Cl.** **20-02**

(52) **U.S. Cl.**
USPC **D6/518**

(58) **Field of Classification Search**
CPC A47F 7/021; A47F 5/05; A47F 7/00;
A47F 1/126; A47F 7/163; A47K 10/40;
A47K 10/3836; B66D 1/7442
USPC D6/515-518; 206/225, 333, 389, 391;
211/13.1, 173, 180; 221/26, 33, 282,
221/283; 242/570, 590; 248/309.1, 309.2,
248/905

See application file for complete search history.

(56) **References Cited**

U.S. PATENT DOCUMENTS

5,141,171 A * 8/1992 Yang 242/590
D360,790 S * 8/1995 Landis et al. D6/518

D414,636 S * 10/1999 Wiese D6/515
D423,263 S * 4/2000 King et al. D6/518
D511,917 S * 11/2005 Borchardt et al. D6/515
D522,785 S * 6/2006 Brady D6/518
D541,088 S * 4/2007 Nesci D6/515
7,530,472 B2 5/2009 Bitowft et al.
D623,453 S * 9/2010 Benedetti D6/518
D687,650 S 8/2013 Wells et al.
D702,965 S * 4/2014 Ross D6/515
2011/0192862 A1 8/2011 Knudsen

* cited by examiner

Primary Examiner — Brian N Vinson

(74) *Attorney, Agent, or Firm* — Crossley Patent Law

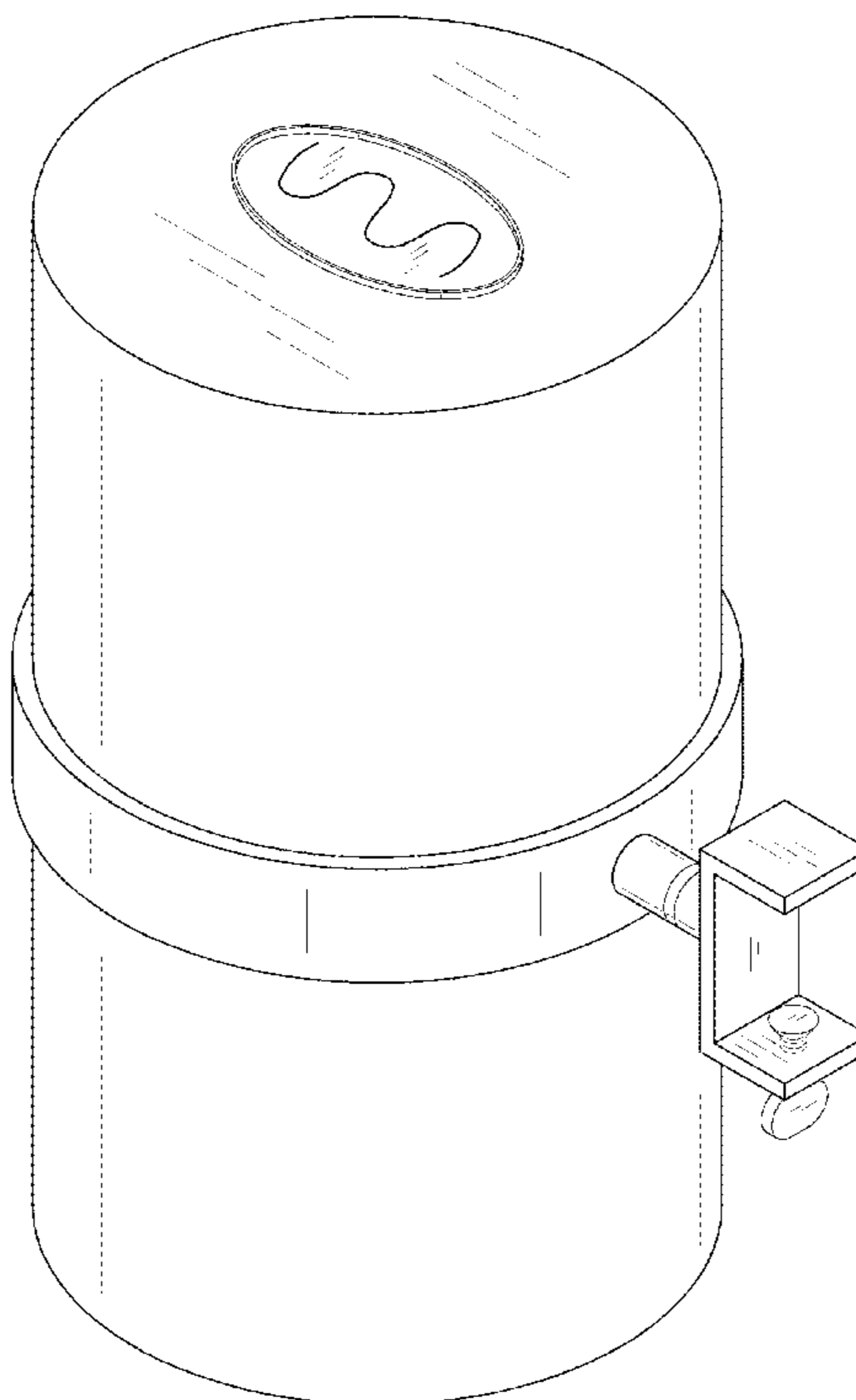
(57) **CLAIM**

The ornamental design for a sanitary wipe dispenser, as shown and described.

DESCRIPTION

FIG. 1 is a rear elevation view of a sanitary wipe dispenser showing my new design;
FIG. 2 is a right side elevation view thereof, the opposite side being a mirror image of the shown;
FIG. 3 is a front elevation view thereof;
FIG. 4 is a top plan view thereof;
FIG. 5 is a bottom plan view; and,
FIG. 6 is an isometric view thereof.

1 Claim, 5 Drawing Sheets



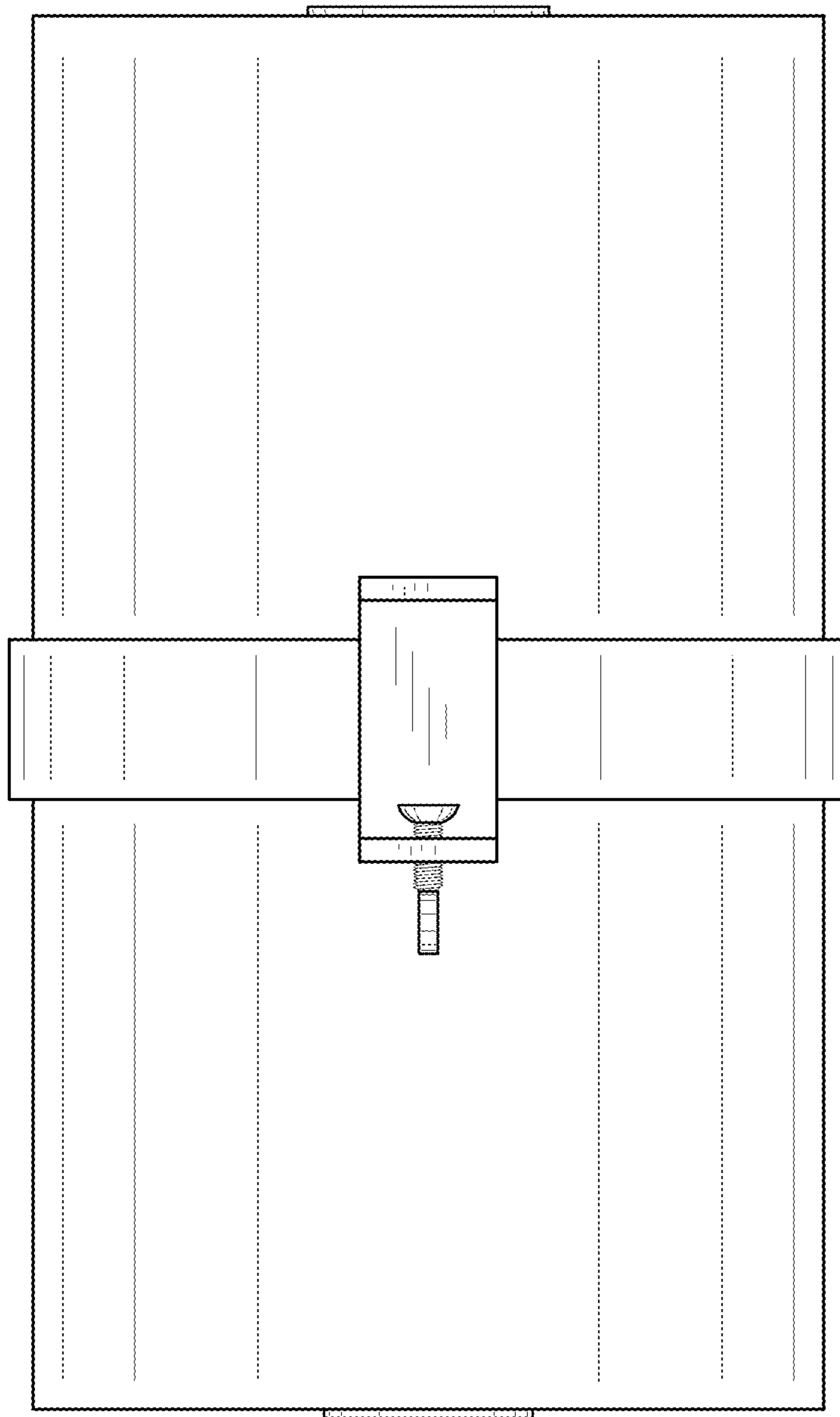


FIG. 1

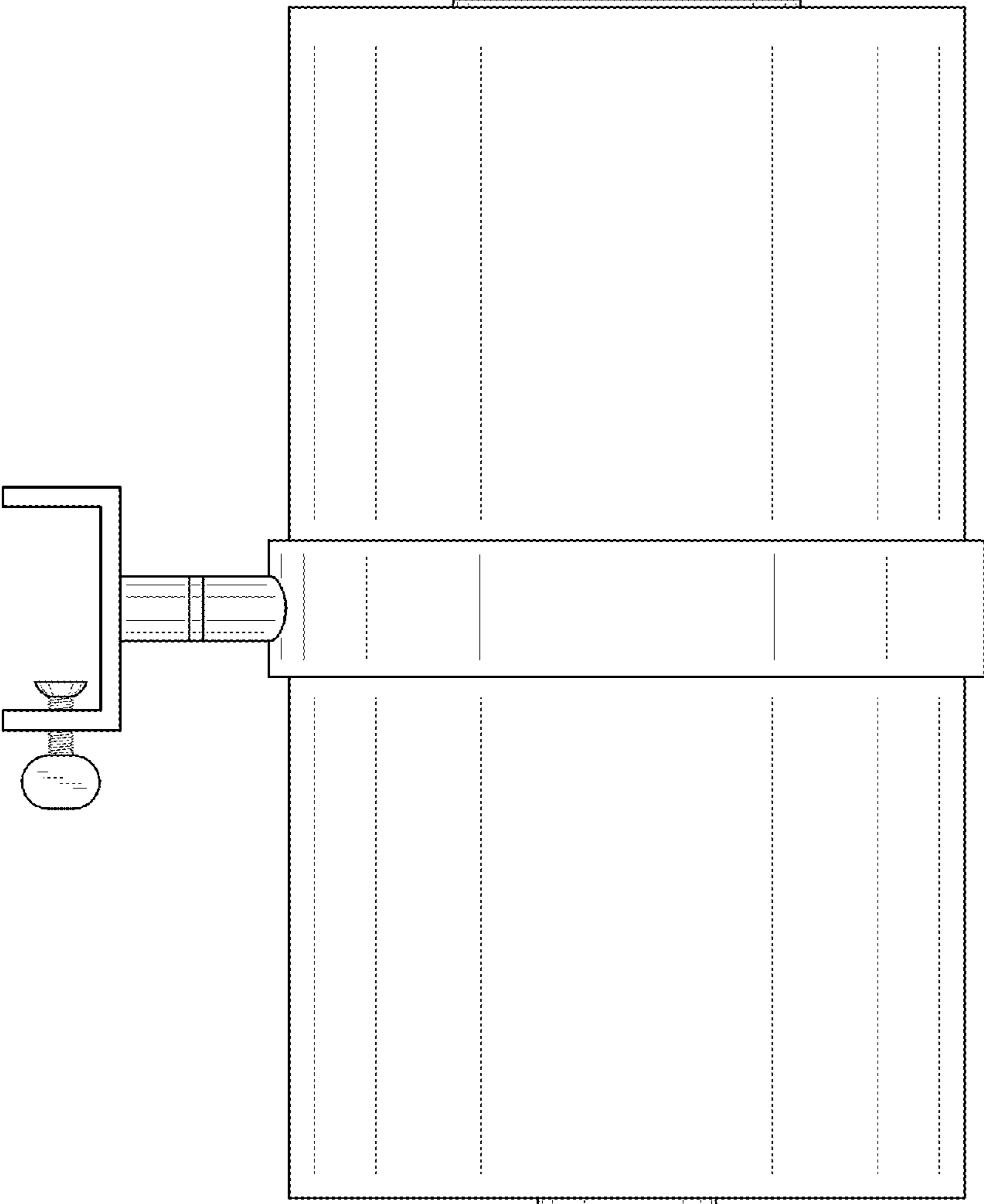


FIG. 2

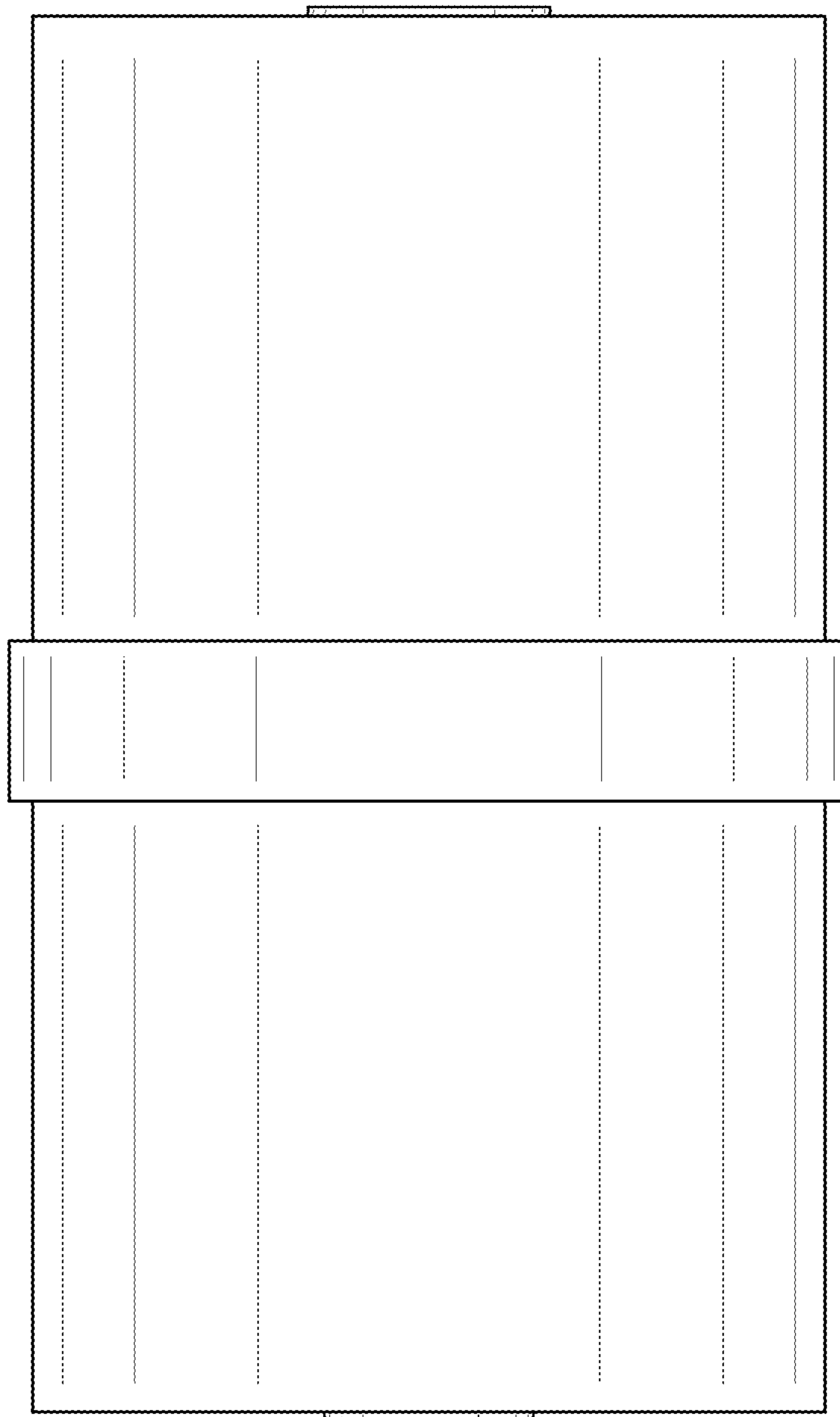


FIG. 3

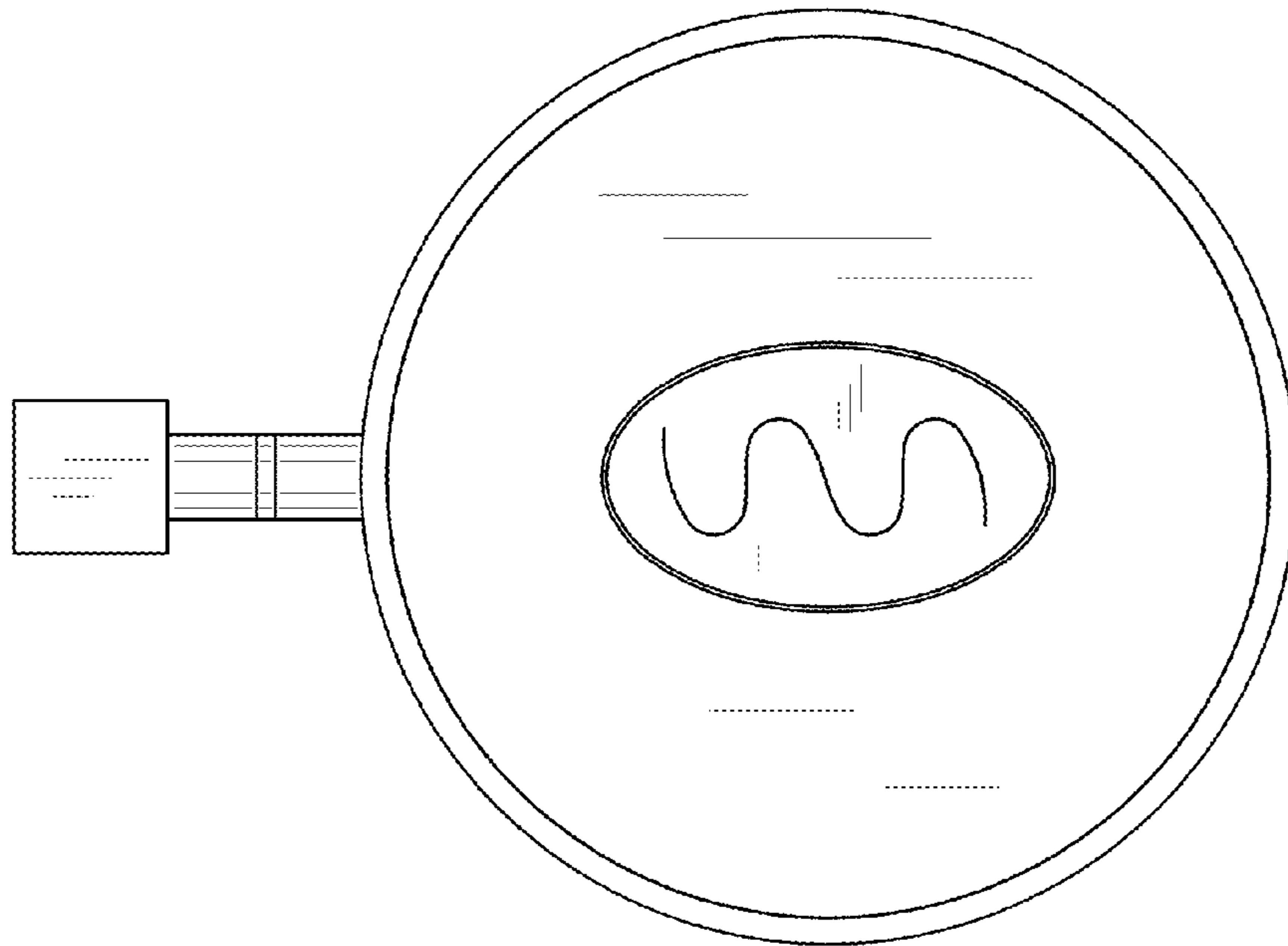


FIG. 4

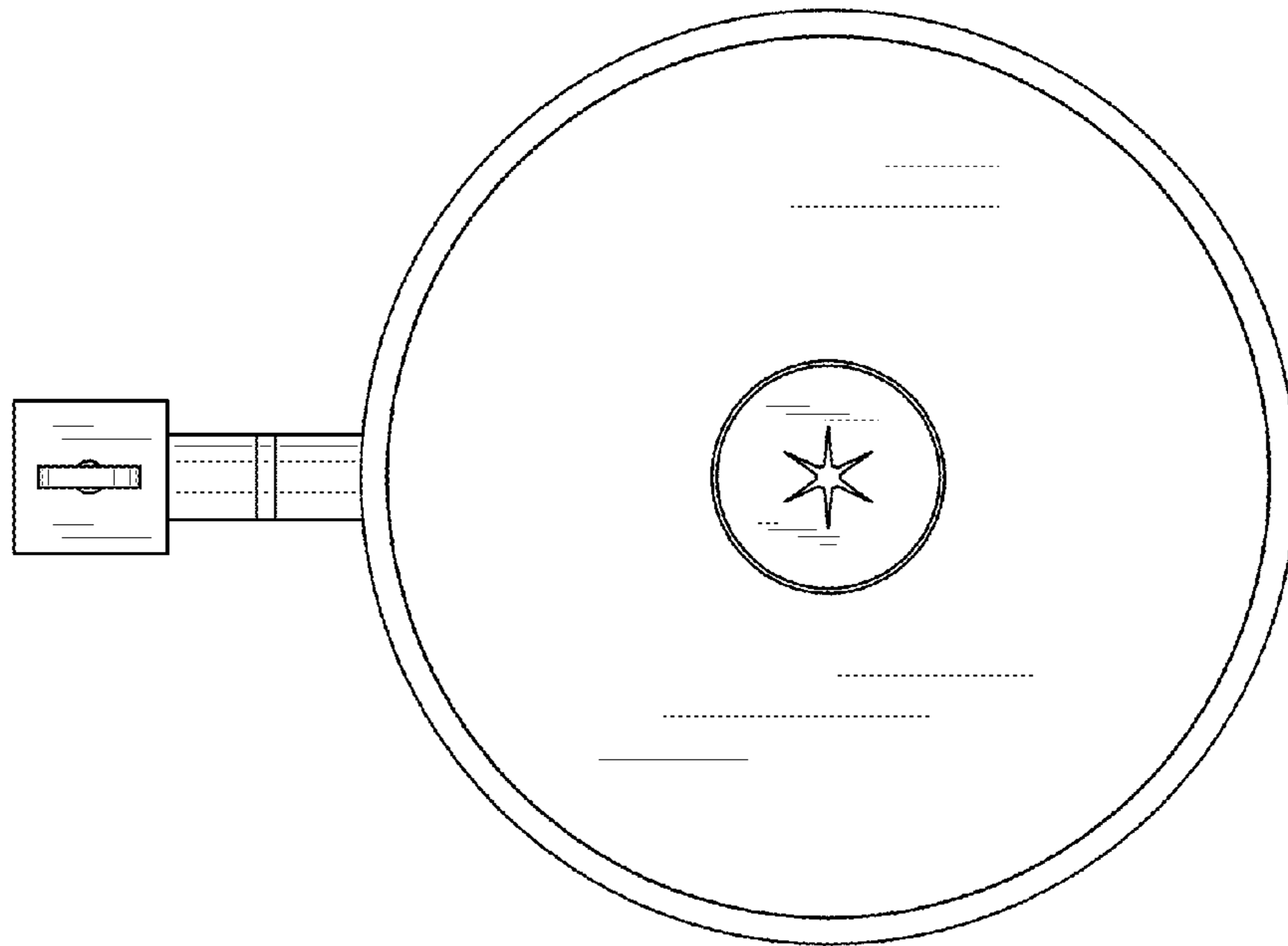


FIG. 5

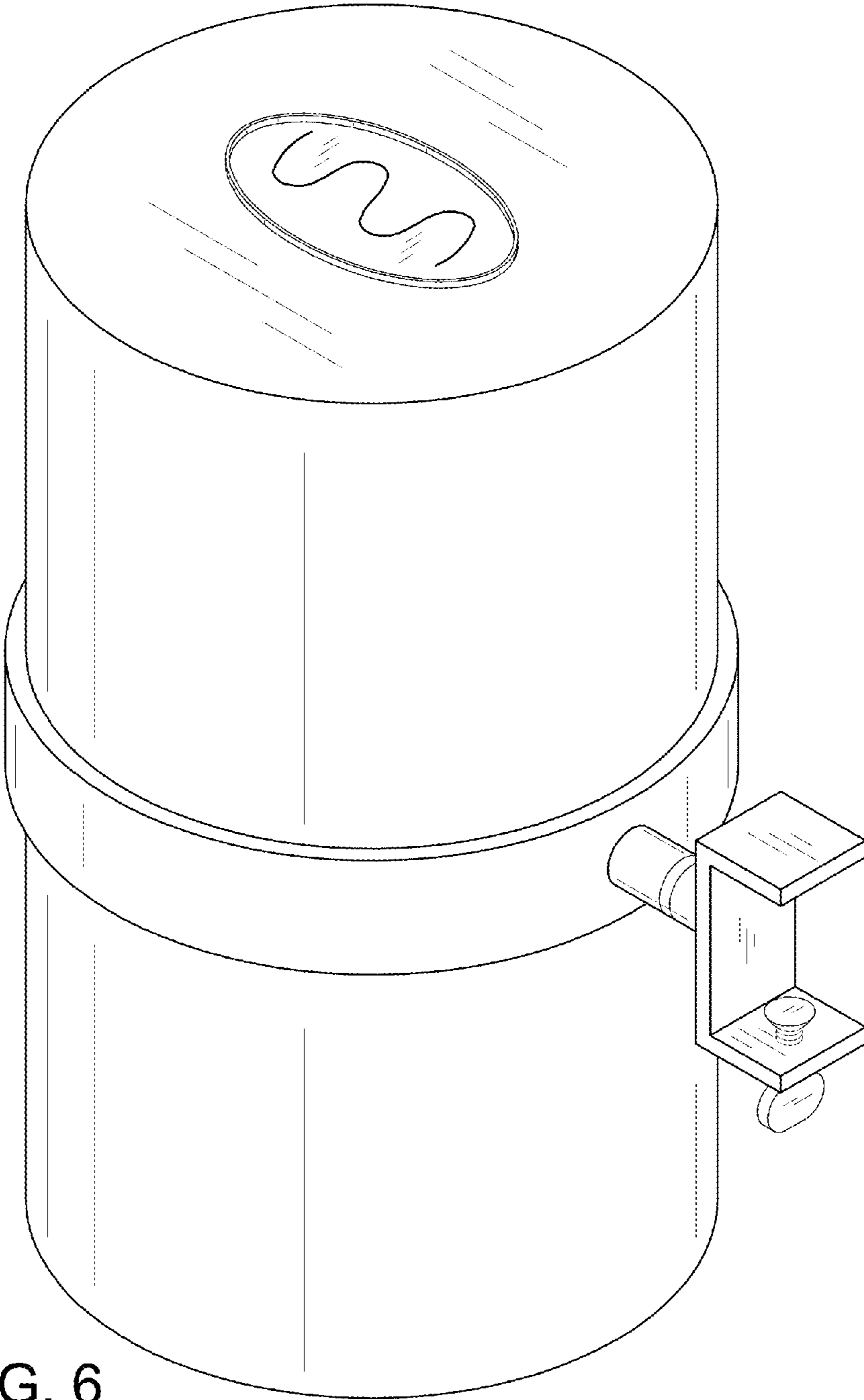


FIG. 6