



US00D718952S

(12) **United States Design Patent**  
**Currat et al.**

(10) **Patent No.:** **US D718,952 S**

(45) **Date of Patent:** **\*\* Dec. 9, 2014**

(54) **ROLL DISPENSER**

(71) Applicant: **The Glad Products Company**, Oakland, CA (US)

(72) Inventors: **Olivier Currat**, Chicago, IL (US); **Chris Wlezien**, Chicago, IL (US); **Tim Lau**, Fremont, CA (US); **Minxiang Liu**, Pleasanton, CA (US); **Roger Sharpe**, Mountain View, CA (US)

(73) Assignee: **The Glad Products Company**, Oakland, CA (US)

(\*\*) Term: **14 Years**

(21) Appl. No.: **29/488,773**

(22) Filed: **Apr. 23, 2014**

(51) **LOC (10) Cl.** ..... **20-02**

(52) **U.S. Cl.**  
USPC ..... **D6/515**

(58) **Field of Classification Search**  
USPC ..... D6/515, 518; D34/10; 206/390, 397, 206/409, 303; 220/908, 909, 403, 404, 407; 53/549, 567, 576; D7/354, 357, 677, D7/359

See application file for complete search history.

(56) **References Cited**

**U.S. PATENT DOCUMENTS**

|              |         |                       |        |
|--------------|---------|-----------------------|--------|
| D452,788 S * | 1/2002  | Neiberger et al. .... | D6/518 |
| D569,667 S * | 5/2008  | Ovelar .....          | D6/518 |
| D595,075 S * | 6/2009  | Ramos Peon .....      | D6/518 |
| D604,541 S * | 11/2009 | Bone et al. ....      | D6/518 |
| D625,537 S * | 10/2010 | Maxwell et al. ....   | D6/518 |
| D637,027 S * | 5/2011  | Withers .....         | D6/518 |
| D666,442 S * | 9/2012  | Sharp et al. ....     | D6/518 |
| D669,716 S * | 10/2012 | Razavi et al. ....    | D6/518 |
| D697,332 S * | 1/2014  | Huang .....           | D6/518 |

\* cited by examiner

*Primary Examiner* — Brian N Vinson

(74) *Attorney, Agent, or Firm* — Thomas C. Feix

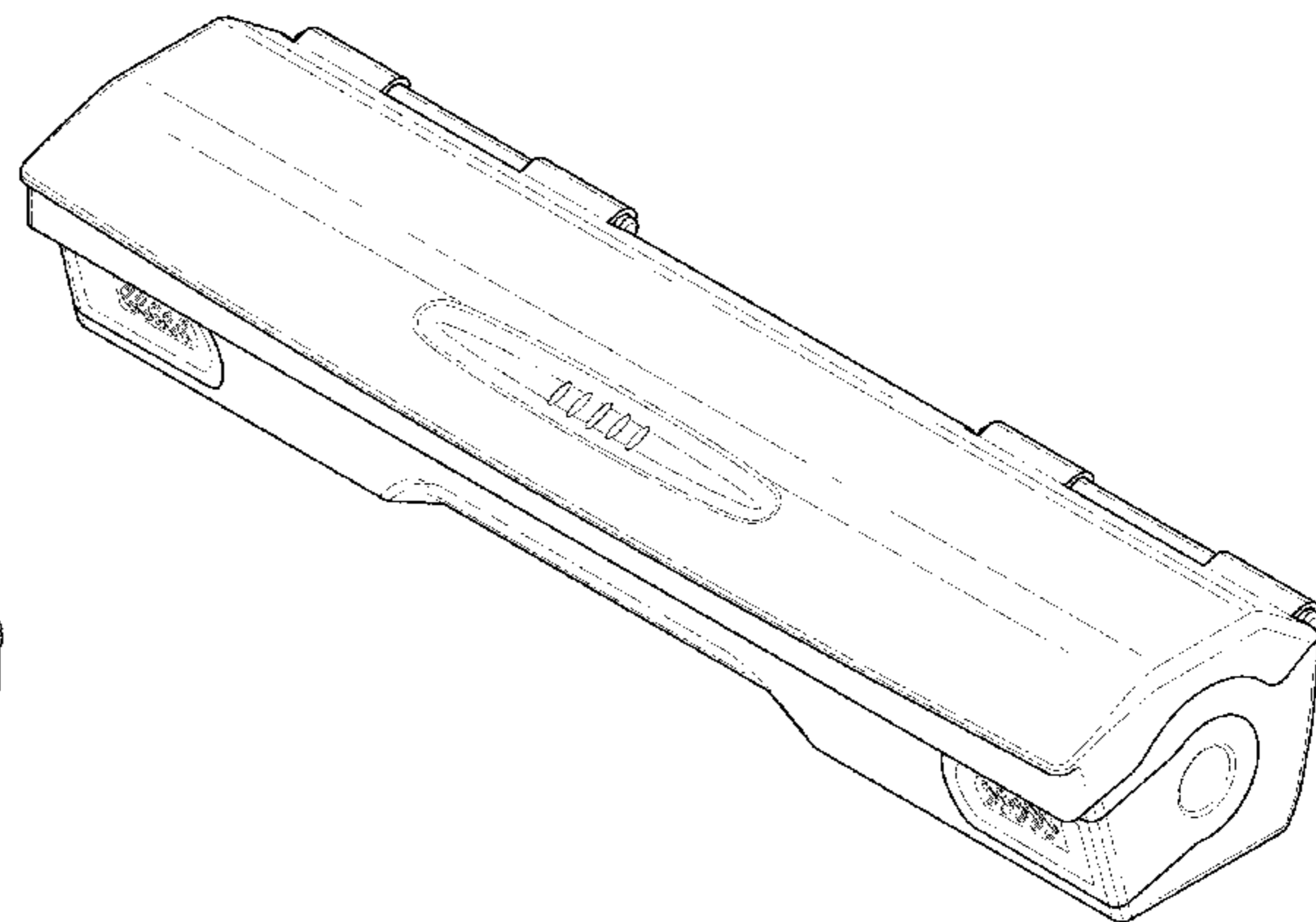
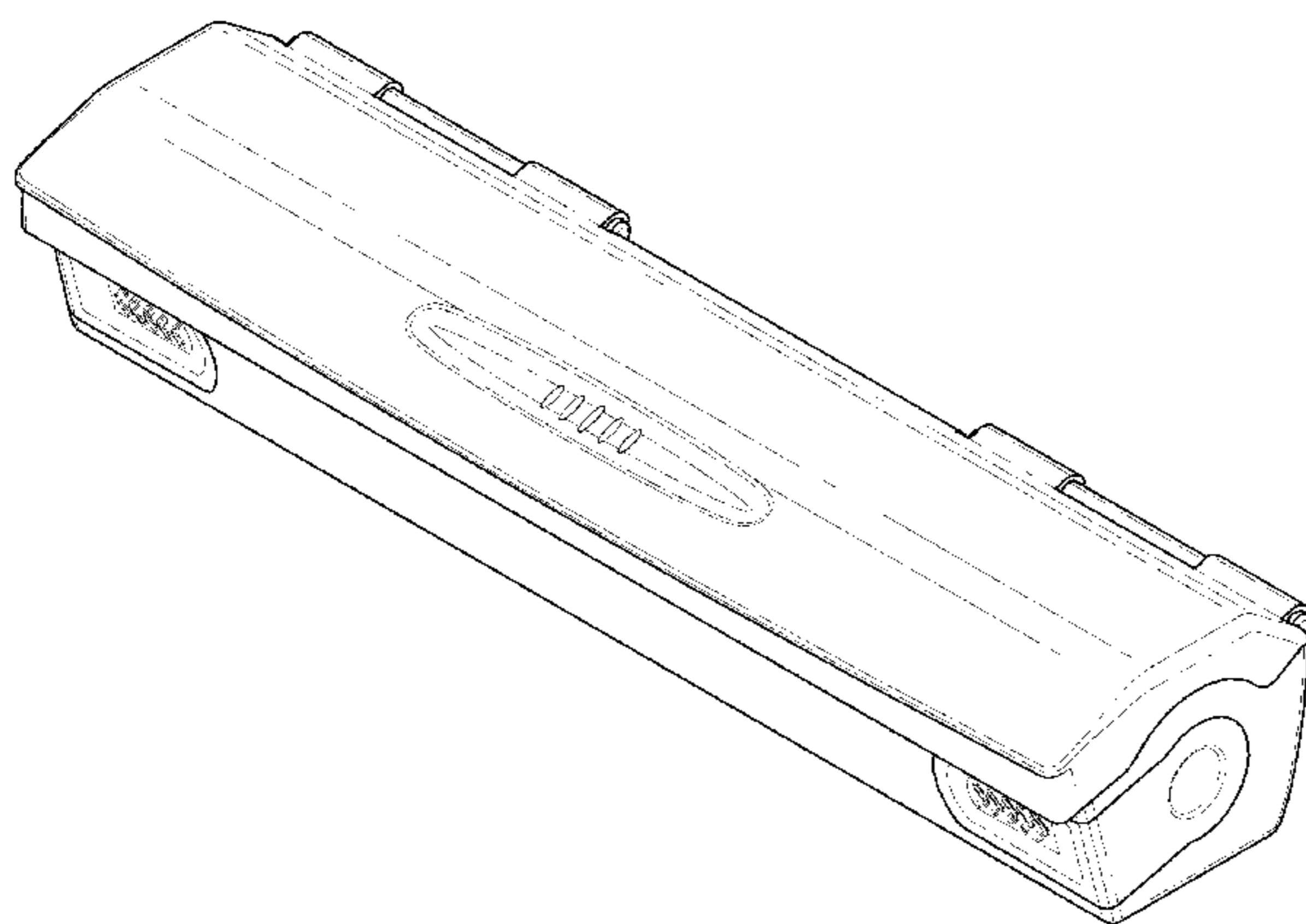
(57) **CLAIM**

The ornamental design for a roll dispenser, as shown and described.

**DESCRIPTION**

FIG. 1 is a front perspective view of the roll dispenser in accordance with a first embodiment of the present design; FIG. 2 is a rear perspective view of the roll dispenser of FIG. 1; FIG. 3 top plan of the roll dispenser of FIG. 1; FIG. 4 bottom plan of the roll dispenser of FIG. 1; FIG. 5 is a front elevational view of the roll dispenser of FIG. 1; FIG. 6 is a rear elevational view of the roll dispenser of FIG. 1; FIG. 7 is a right side elevational view of the roll dispenser of FIG. 1; FIG. 8 is a left side elevational view of the roll dispenser of FIG. 1; FIG. 9 is a front perspective view of the roll dispenser in accordance with a second embodiment of the present design; FIG. 10 is a rear perspective view of the roll dispenser of FIG. 9; FIG. 11 top plan view of the roll dispenser of FIG. 9; FIG. 12 bottom plan view of the roll dispenser of FIG. 9; FIG. 13 is a front elevational view of the roll dispenser of FIG. 9; FIG. 14 is a rear elevational view of the roll dispenser of FIG. 9; FIG. 15 is a right side elevational view of the roll dispenser of FIG. 9; and, FIG. 16 is a left side elevational view of the roll dispenser of FIG. 9.

**1 Claim, 10 Drawing Sheets**



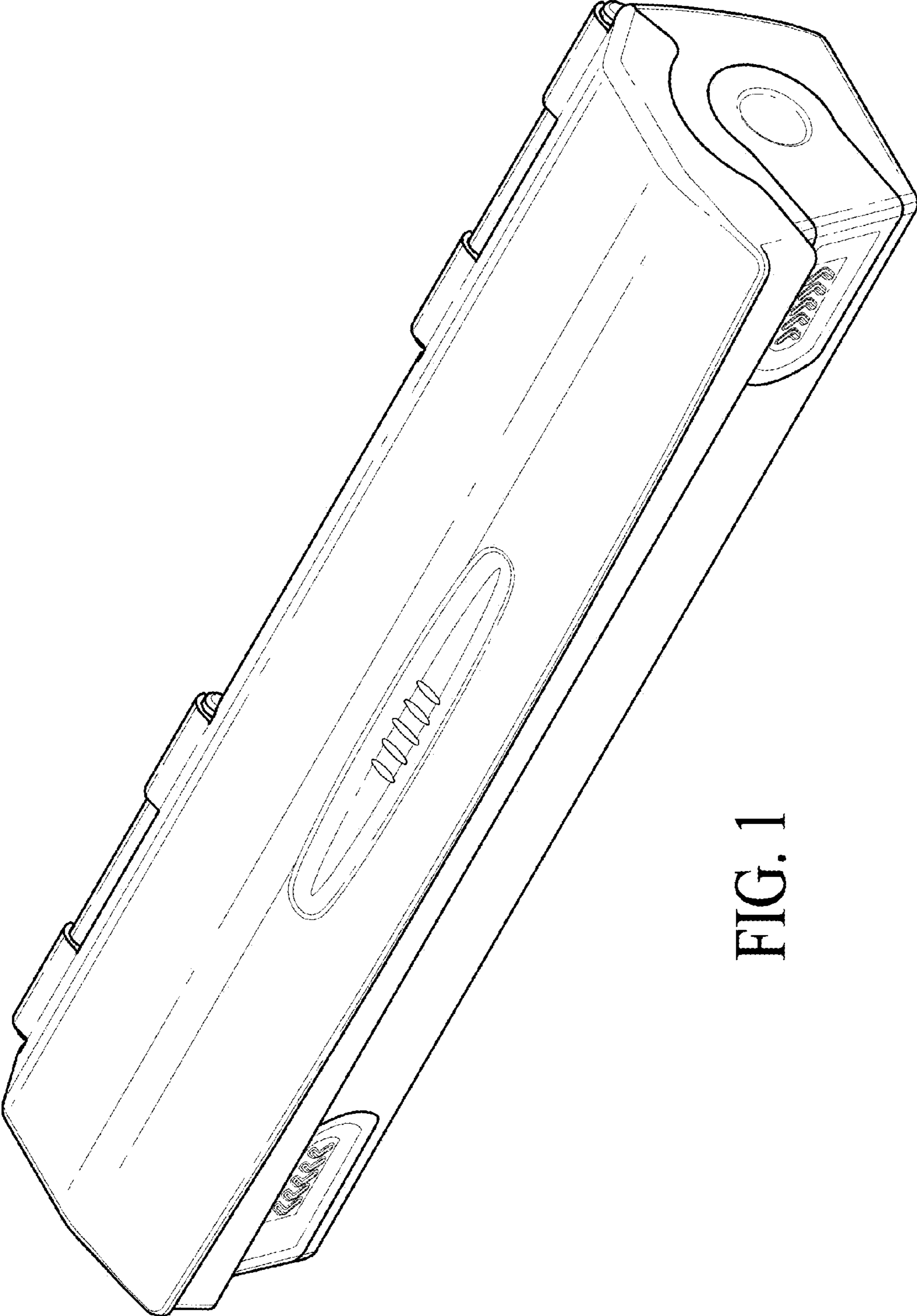


FIG. 1

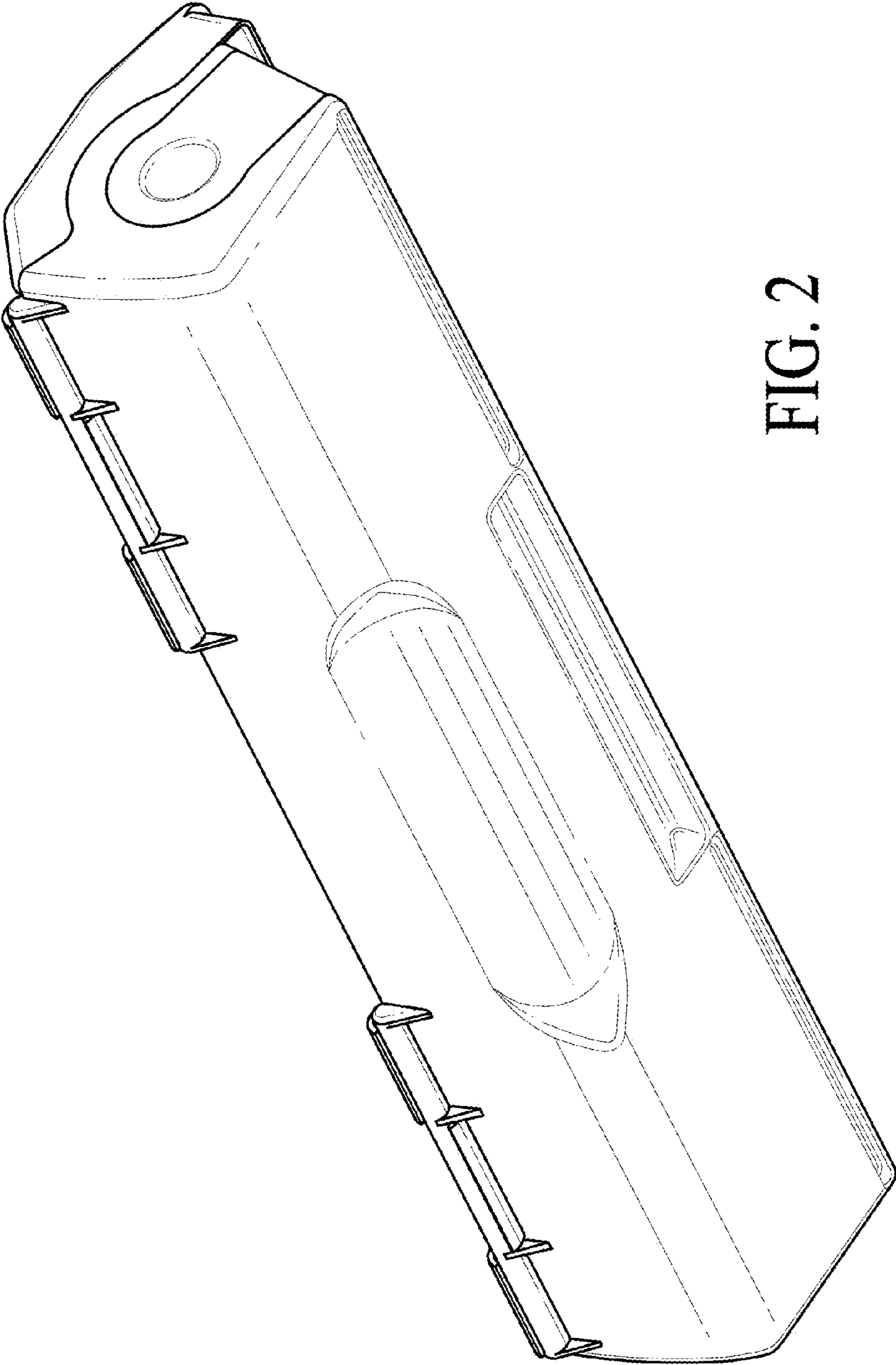


FIG. 2

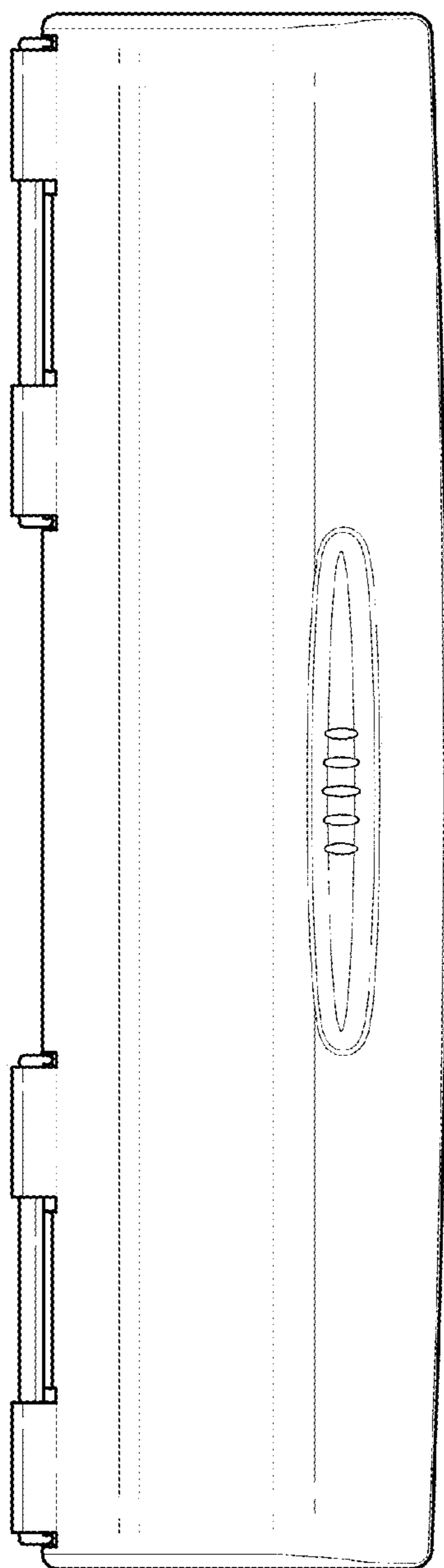


FIG. 3

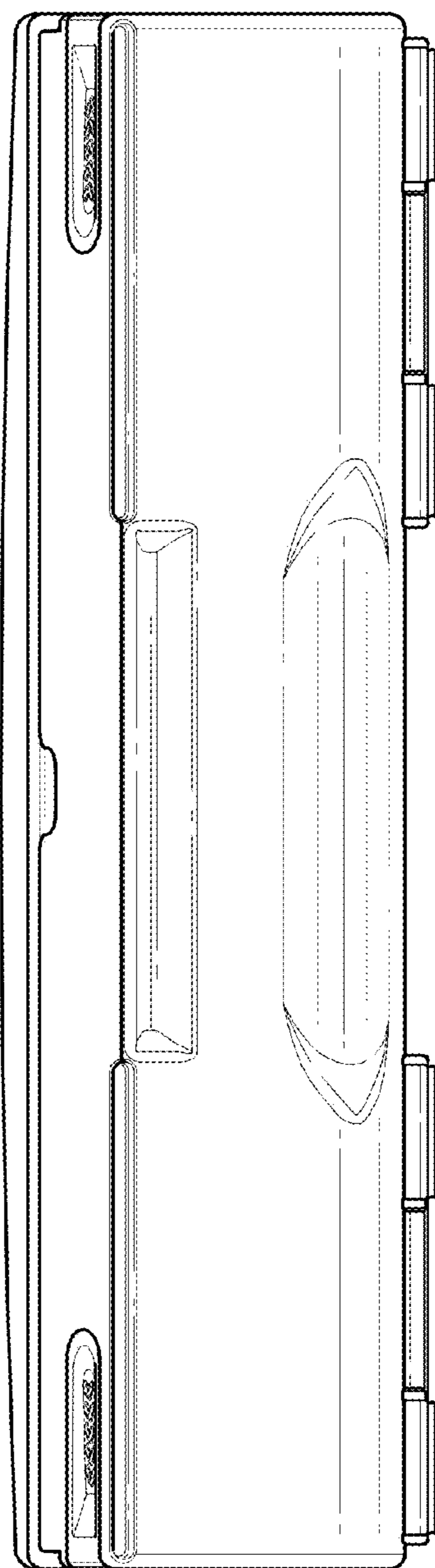


FIG. 4

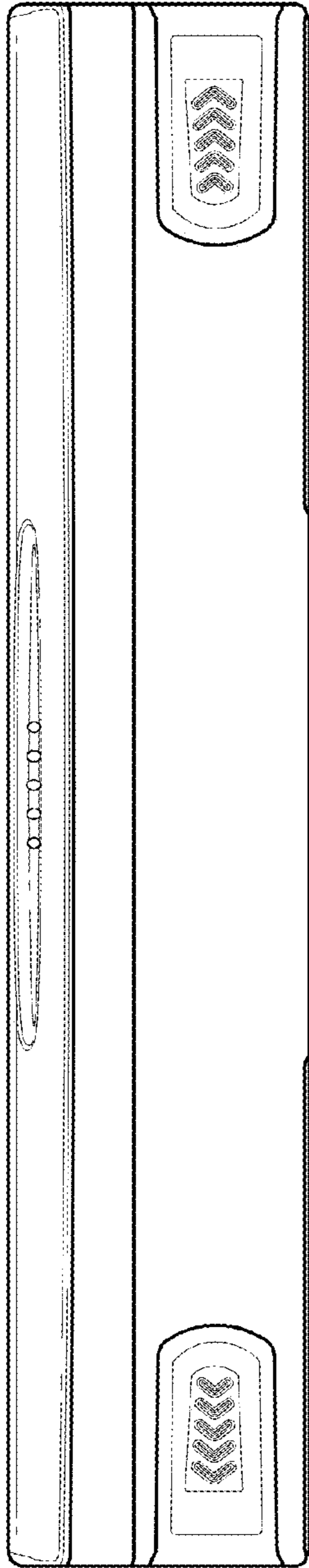


FIG. 5

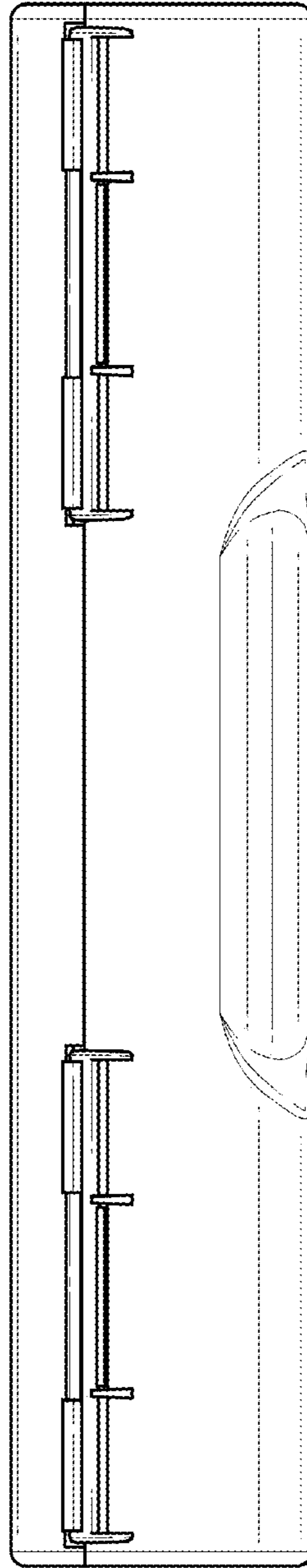


FIG. 6

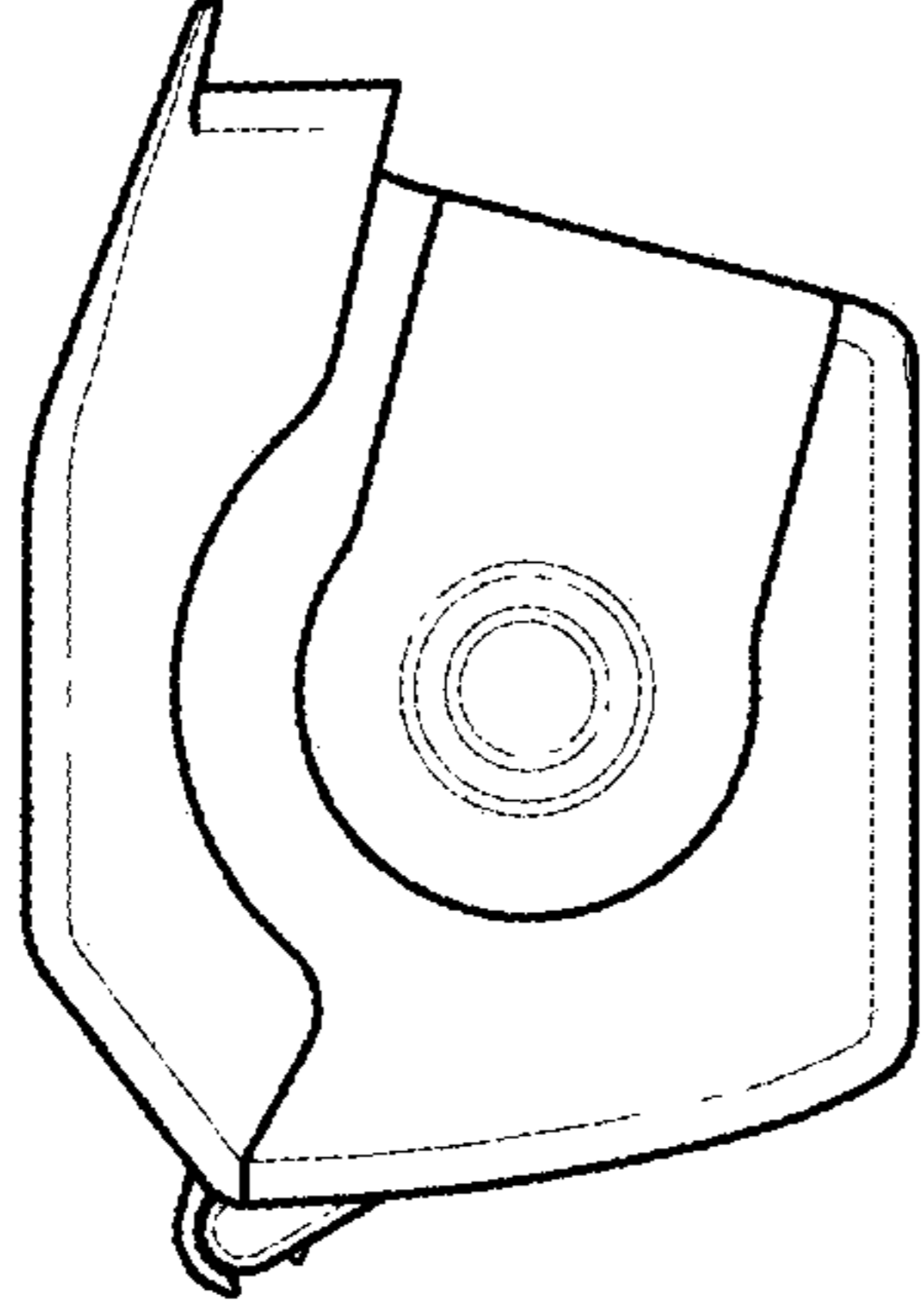


FIG. 8

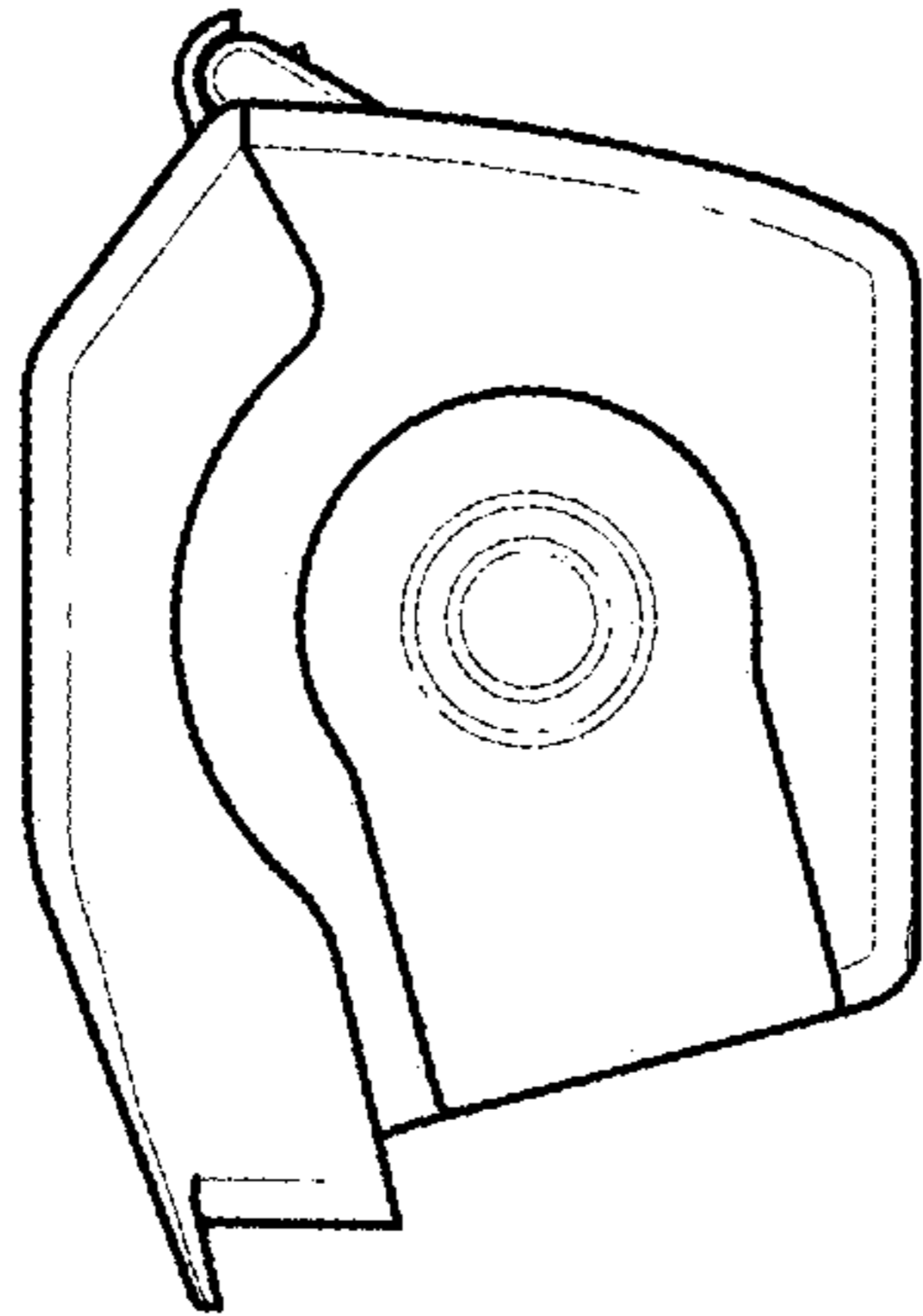


FIG. 7

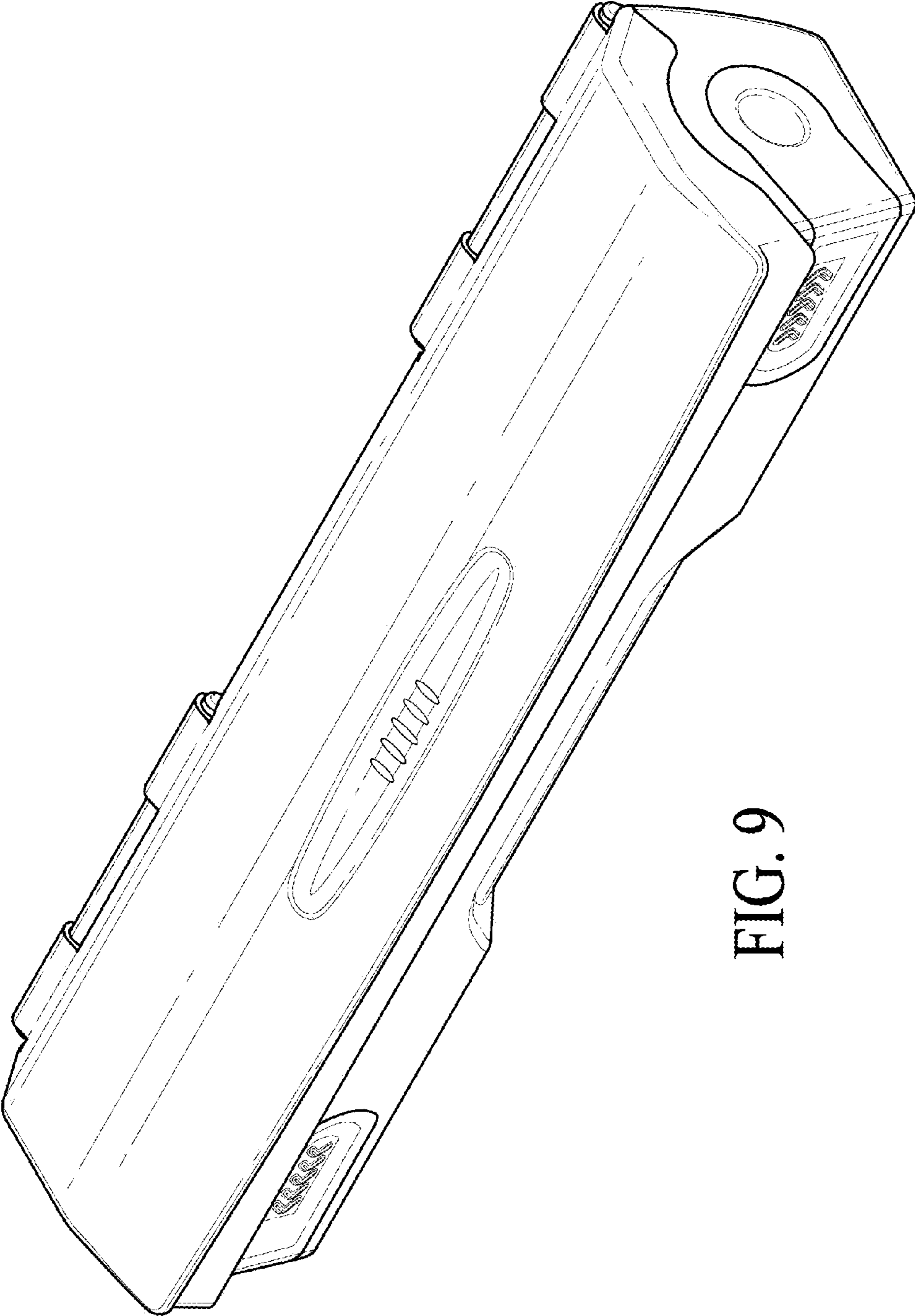


FIG. 9

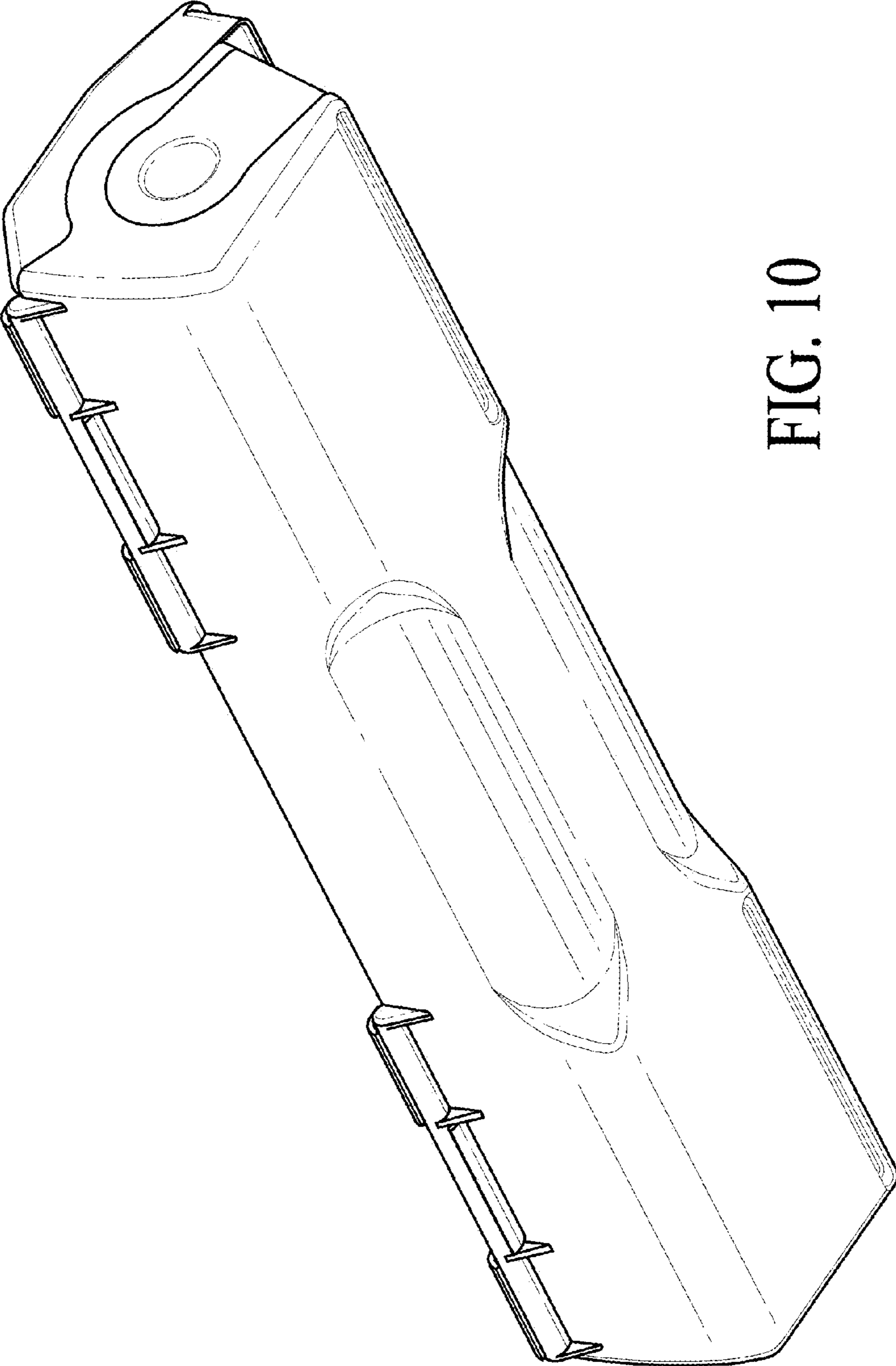


FIG. 10



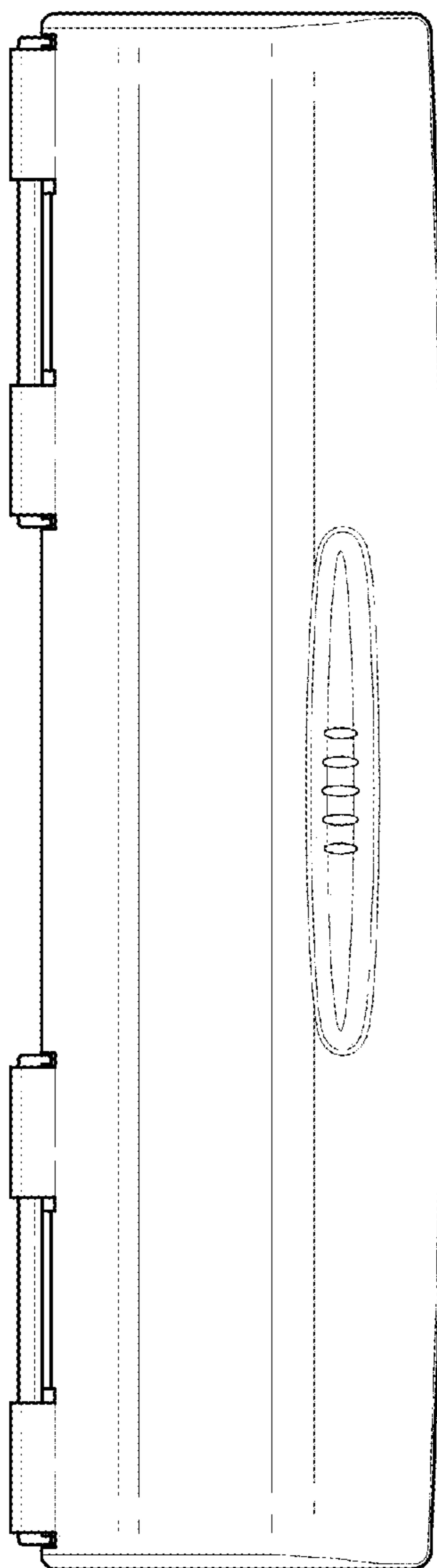


FIG. 11

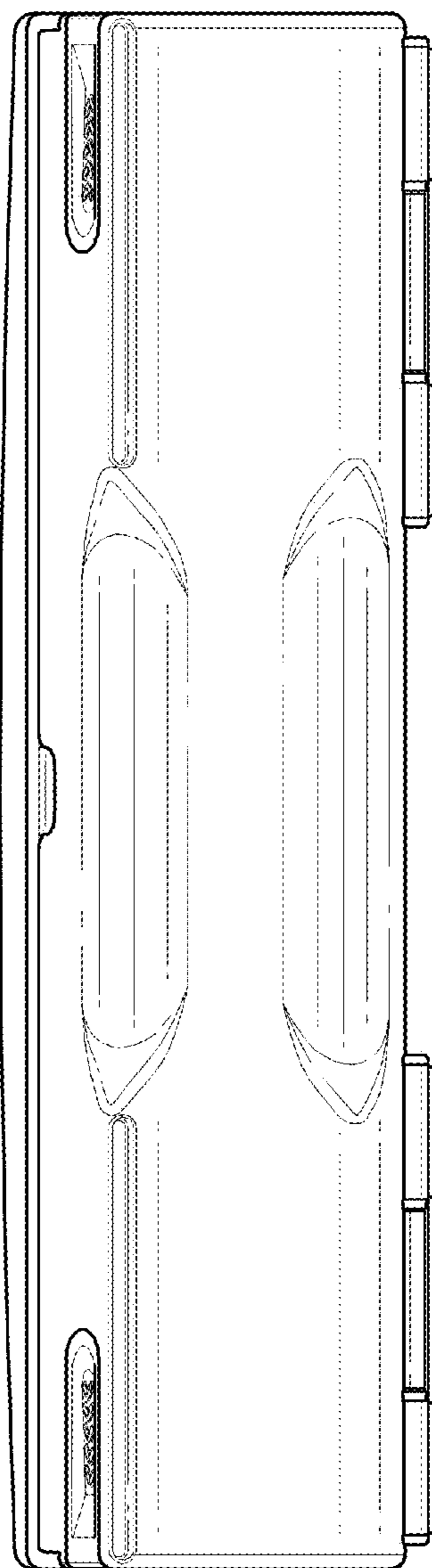


FIG. 12

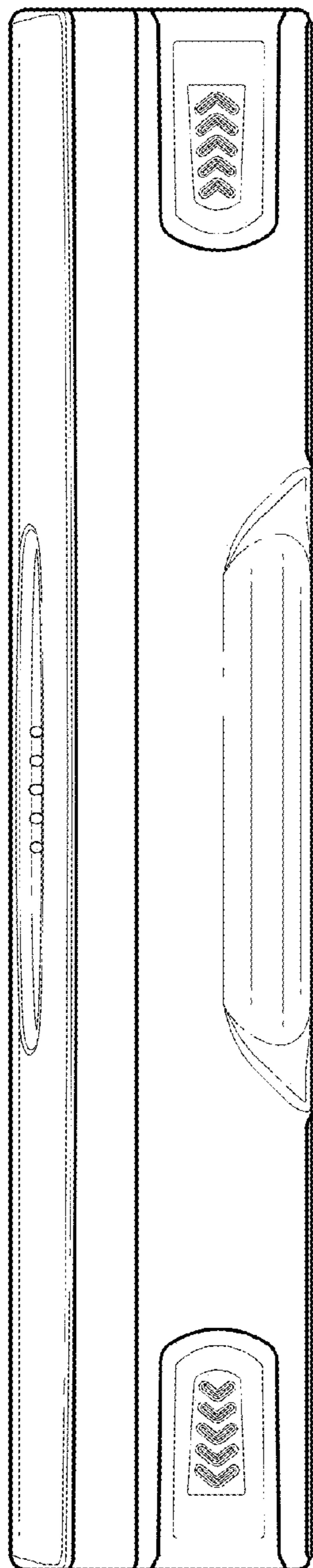


FIG. 13

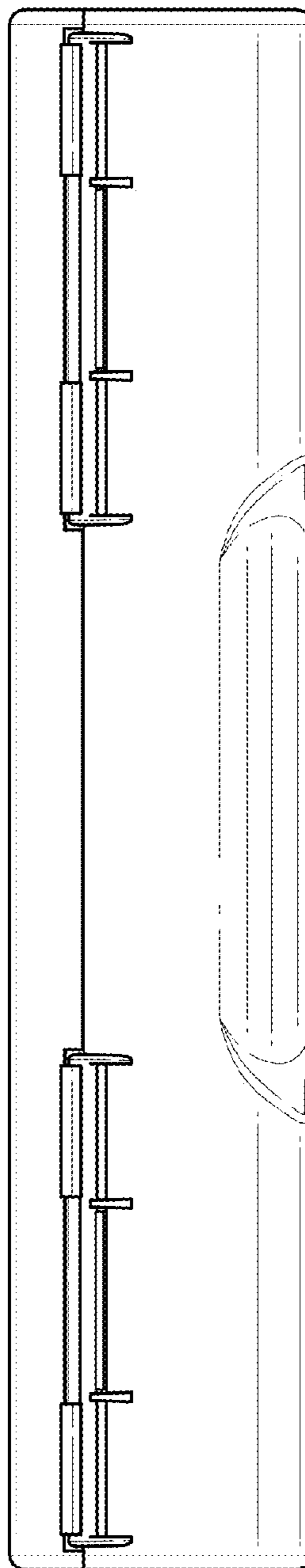


FIG. 14

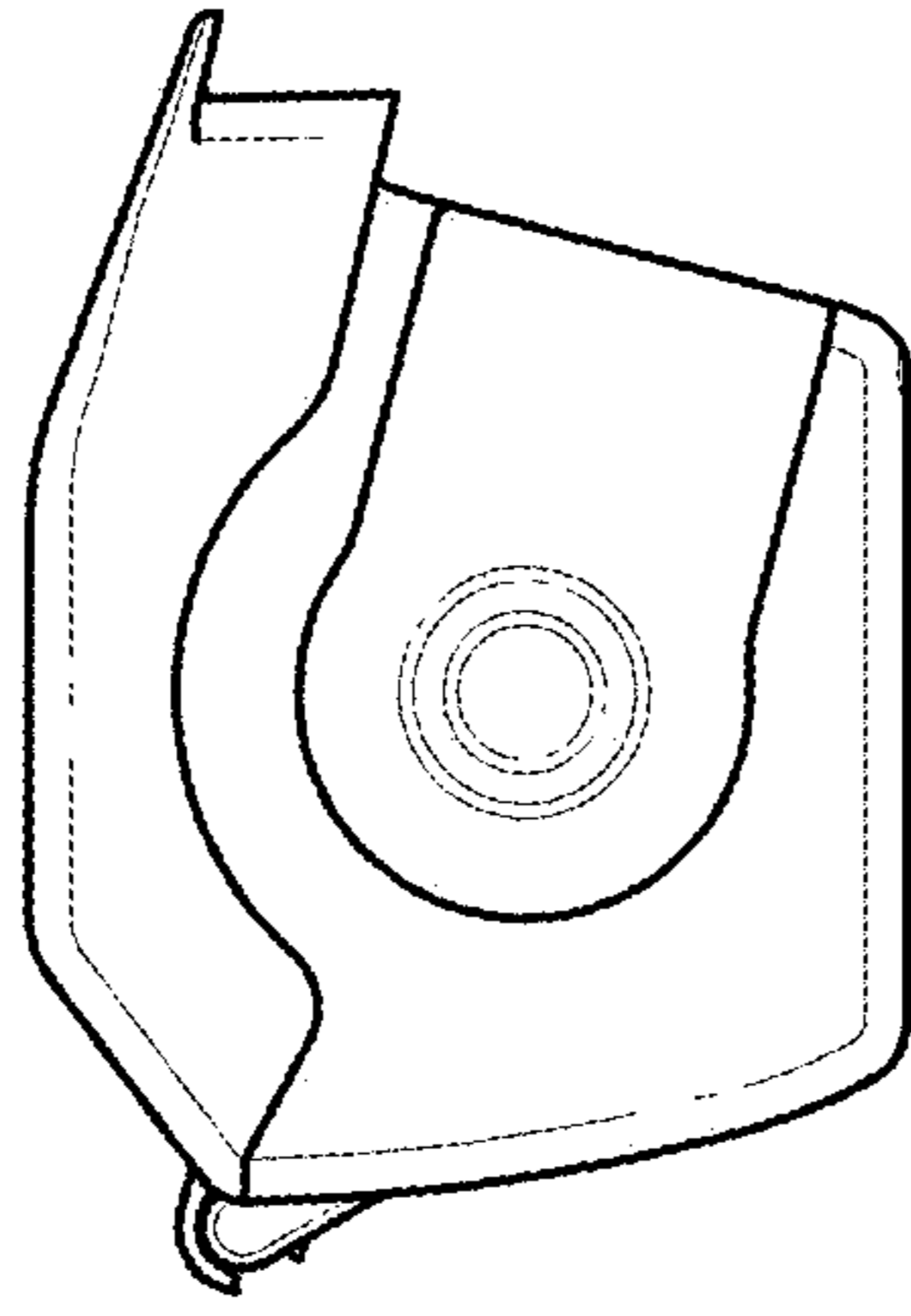


FIG. 16

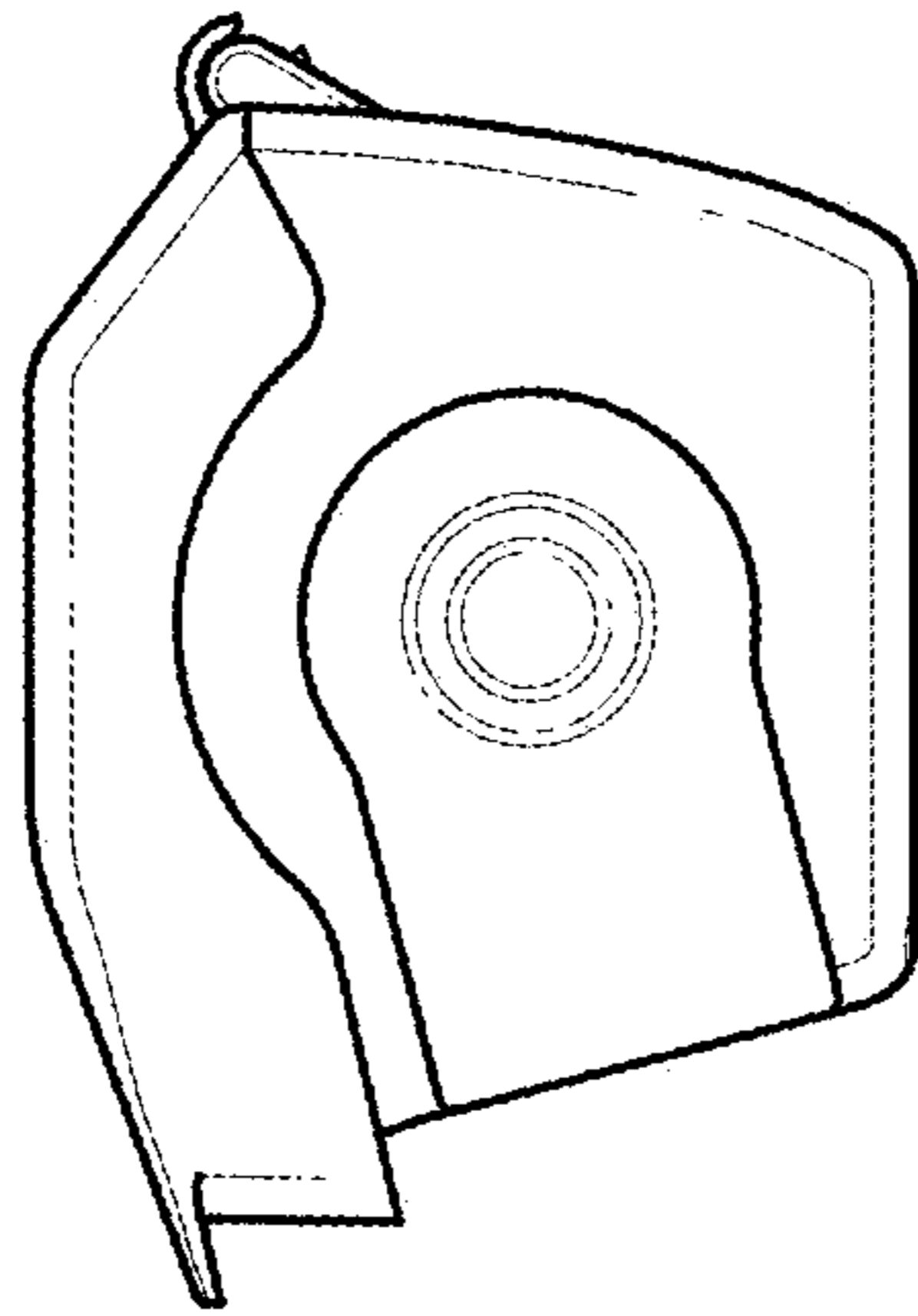


FIG. 15