



US00D718949S

(12) **United States Design Patent**  
**Meda**

(10) **Patent No.:** **US D718,949 S**

(45) **Date of Patent:** **\*\* Dec. 9, 2014**

(54) **CHAIR**

(71) Applicant: **Vitra Patente AG**, MuttENZ (CH)

(72) Inventor: **Alberto Meda**, Milan (IT)

(73) Assignee: **Vitra Patente AG**, MuttENZ (CH)

(\*\*) Term: **14 Years**

(21) Appl. No.: **29/482,188**

(22) Filed: **Feb. 14, 2014**

**Related U.S. Application Data**

(62) Division of application No. 29/451,634, filed on Apr. 5, 2013, now Pat. No. Des. 702,955.

**Foreign Application Priority Data**

Oct. 8, 2012 (WO) ..... DM/079 297

(51) **LOC (10) Cl.** ..... **06-01**

(52) **U.S. Cl.**  
USPC ..... **D6/366**

(58) **Field of Classification Search**  
USPC ..... D6/334-336, 360-381, 716,  
D6/716.1-716.7; 297/396, 397, 284.4,  
297/411.28, 452.21, 452.26, 452.29, 452.3,  
297/452.32, 452.35, 452.48

See application file for complete search history.

(56) **References Cited**

**U.S. PATENT DOCUMENTS**

D345,470 S \* 3/1994 Narita ..... D6/366  
D355,303 S \* 2/1995 Scheper et al. .... D6/366  
D382,149 S \* 8/1997 Pimental et al. .... D6/500

D535,831 S \* 1/2007 Huang ..... D6/366  
D558,998 S \* 1/2008 Hara ..... D6/366  
D564,245 S \* 3/2008 Dauphin ..... D6/366  
D623,447 S \* 9/2010 Kubryk ..... D6/500  
D647,717 S \* 11/2011 Zund et al. .... D6/366  
D655,523 S \* 3/2012 Neil ..... D6/366  
D659,417 S \* 5/2012 Schmitz et al. .... D6/366  
D667,232 S \* 9/2012 Yang ..... D6/366  
D695,537 S \* 12/2013 Geelen ..... D6/366  
D702,955 S \* 4/2014 Meda ..... D6/366

\* cited by examiner

*Primary Examiner* — Ricky Pham

(74) *Attorney, Agent, or Firm* — McCarter & English, LLP

(57) **CLAIM**

The ornamental design for a chair, as shown and described.

**DESCRIPTION**

FIG. 1 is a front perspective view of a first embodiment of a chair;

FIG. 2 shows a front elevational view of FIG. 1;

FIG. 3 shows a right side view of FIG. 1;

FIG. 4 shows a left side view of FIG. 1;

FIG. 5 shows a rear elevational view of FIG. 1;

FIG. 6 shows a top plan view of FIG. 1;

FIG. 7 shows a bottom plan view of FIG. 1;

FIG. 8 is a front perspective view of a second embodiment of a chair;

FIG. 9 shows a front elevational view of FIG. 8;

FIG. 10 shows a right side view of FIG. 8;

FIG. 11 shows a left side view of FIG. 8;

FIG. 12 shows a rear elevational view of FIG. 8;

FIG. 13 shows a top plan view of FIG. 8; and,

FIG. 14 shows a bottom plan view of FIG. 8.

**1 Claim, 14 Drawing Sheets**





Fig. 1





Fig. 2



Fig. 3



Fig. 4





Fig. 5

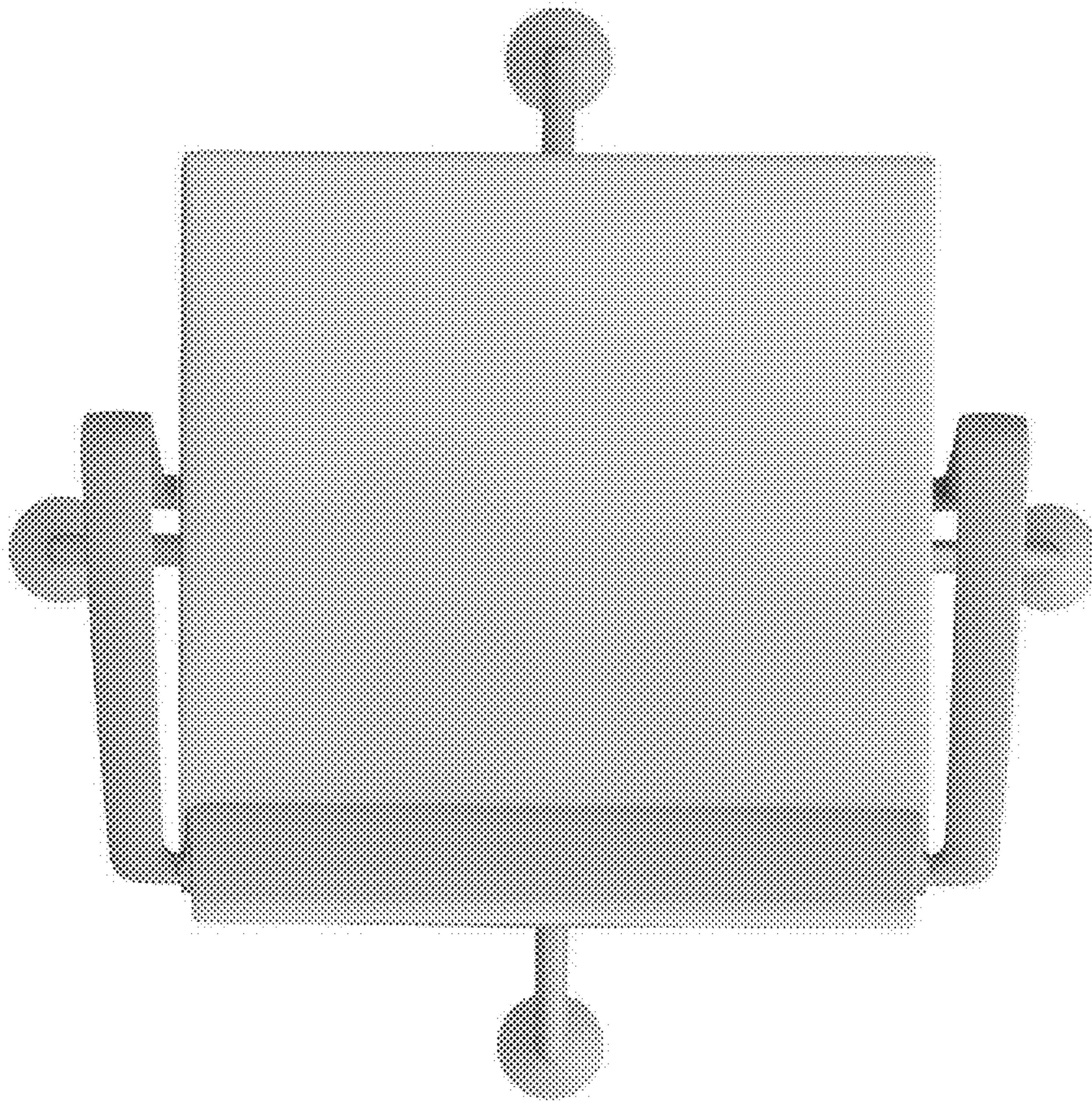


Fig. 6



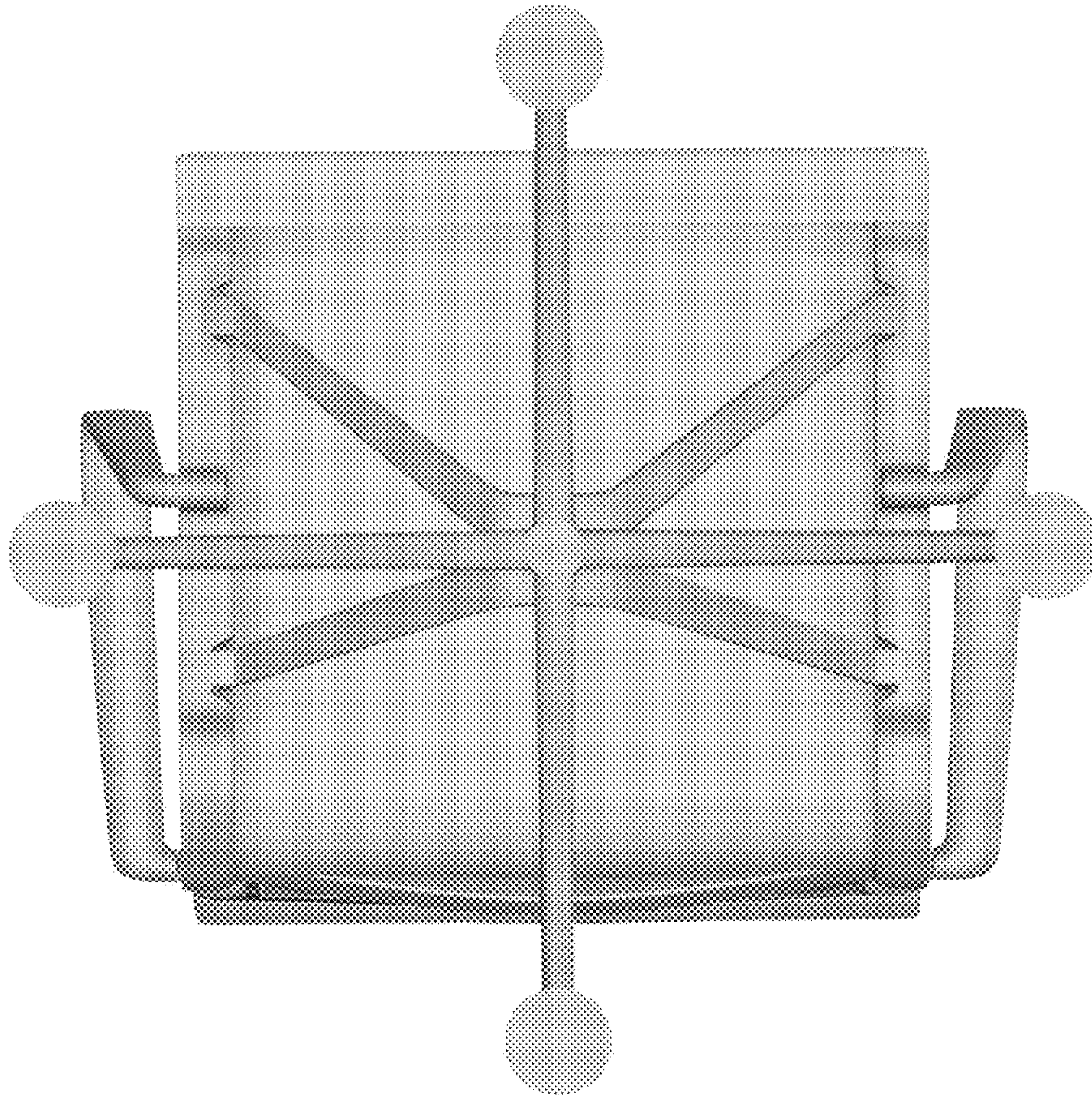


Fig. 7





Fig. 8





Fig. 9





Fig. 10



Fig. 11





Fig. 12



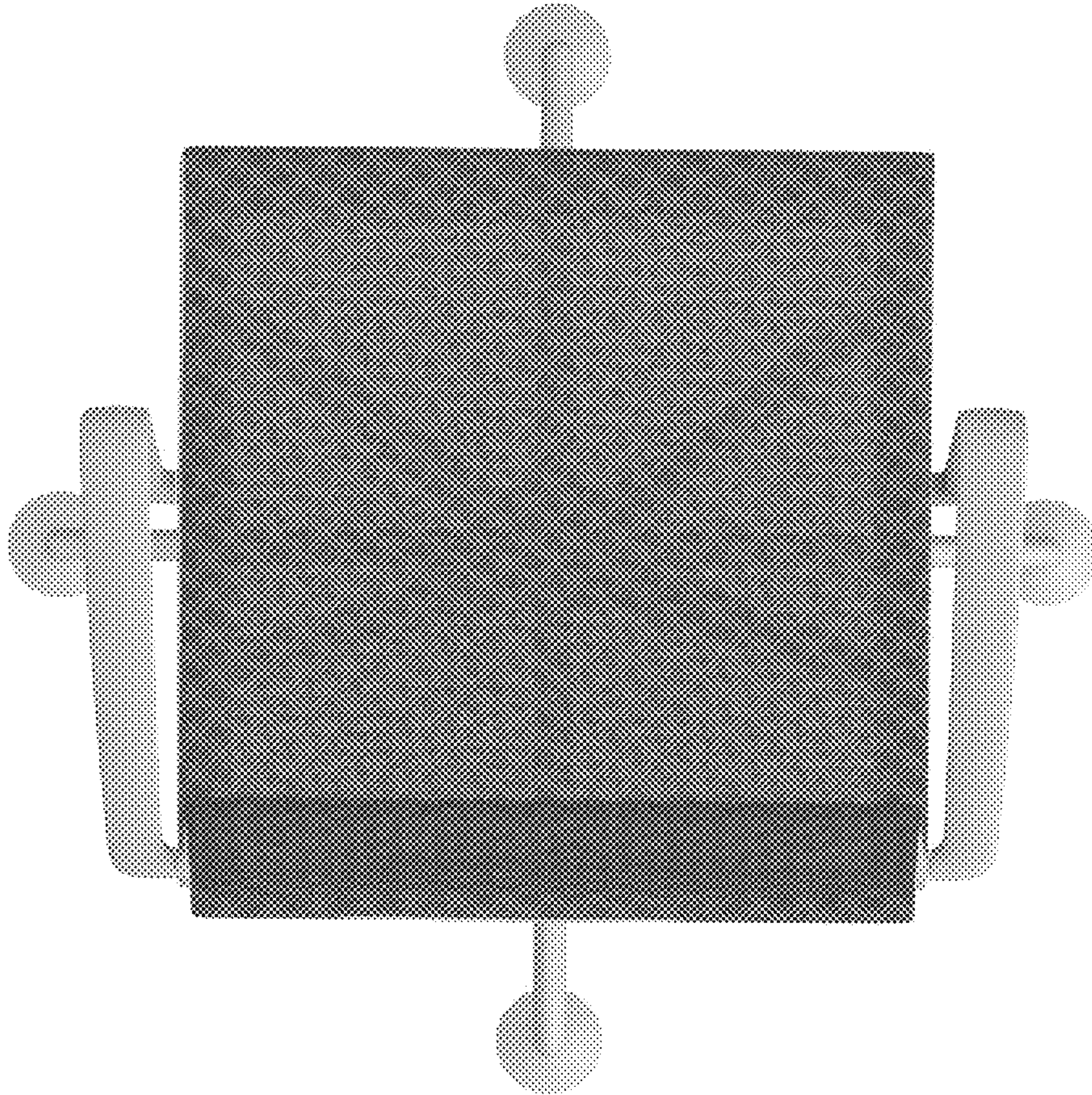


Fig. 13



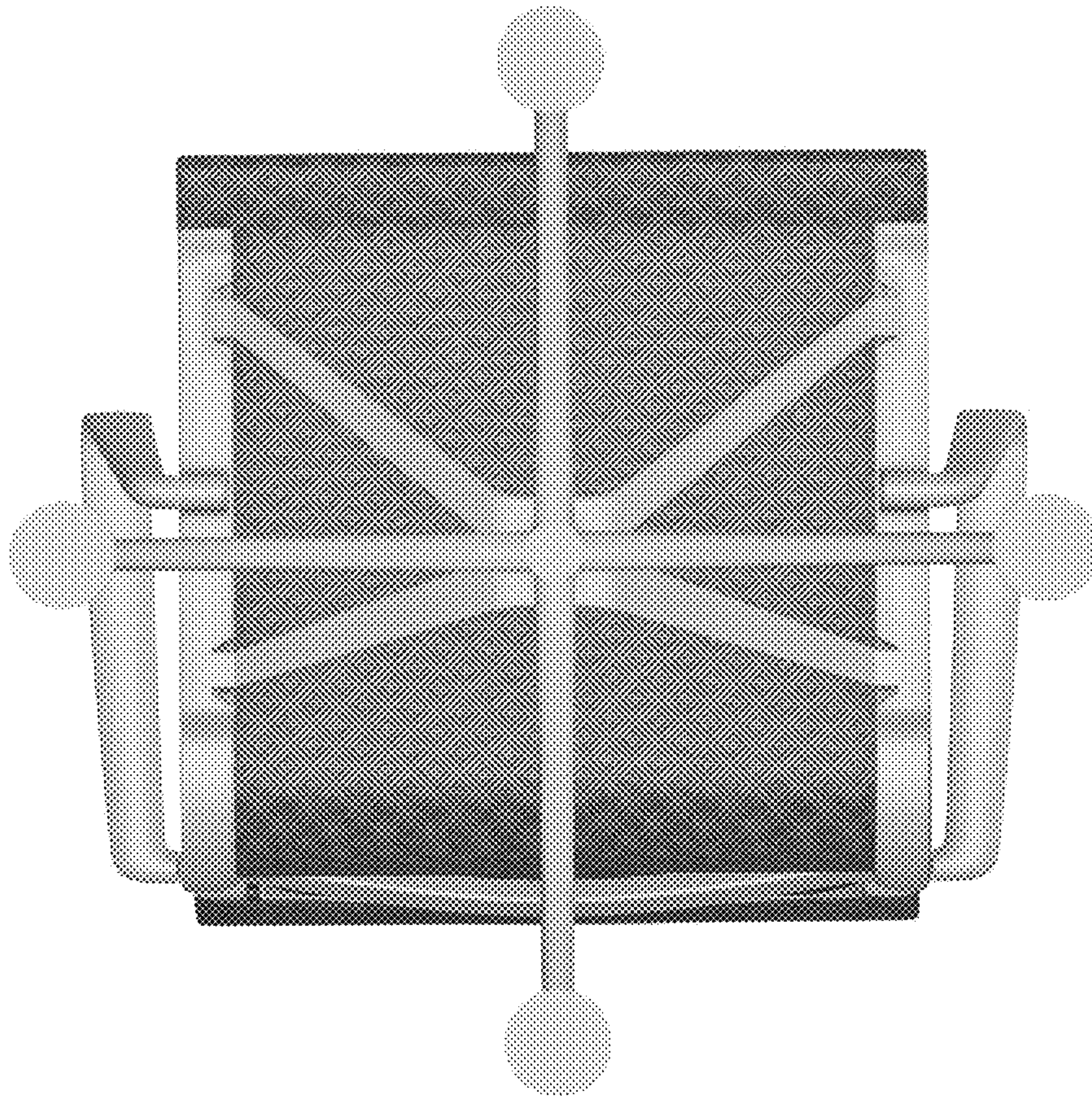


Fig. 14