



US00D718944S

(12) **United States Design Patent**
Hsu

(10) **Patent No.:** **US D718,944 S**

(45) **Date of Patent:** **** Dec. 9, 2014**

(54) **FOLDABLE STOOL**

6,966,404 B2 * 11/2005 Meeker 182/33
D586,572 S * 2/2009 Collette D6/349
D666,435 S * 9/2012 Meyers et al. D6/500

(71) Applicant: **Shih-Hao Hsu**, Taichung (TW)

(72) Inventor: **Shih-Hao Hsu**, Taichung (TW)

(**) Term: **14 Years**

(21) Appl. No.: **29/433,094**

(22) Filed: **Sep. 26, 2012**

(51) **LOC (10) Cl.** **06-01**

(52) **U.S. Cl.**
USPC **D6/353**

(58) **Field of Classification Search**
CPC A47C 1/14; A47C 3/16-3/20; A47C 4/00;
A47C 4/28; A47C 5/02; A47C 7/02; A47C
9/00; A47C 9/02; A47C 9/002; A47C 9/007;
A47C 9/025; A47C 11/00; A47C 12/00;
A47C 13/00; A47C 16/02
USPC D6/335, 344, 347, 349-355, 358, 360,
D6/363-365, 367-370, 685, 687, 688, 690,
D6/691-691.6, 692, 694, 716-716.7
See application file for complete search history.

(56) **References Cited**

U.S. PATENT DOCUMENTS

D268,280 S * 3/1983 Rodger D6/349
D354,859 S * 1/1995 Hsu D6/368
D364,281 S * 11/1995 Eason D6/349
D367,967 S * 3/1996 Calmeise et al. D6/336
D407,569 S * 4/1999 Underbrink et al. D6/349

OTHER PUBLICATIONS

Wide Garden Kneeler. [online] Retrieved May 1, 2014 from URL:
<[http://raisedbeds.com/garden-kneeler-with-wide-seat/?gdftrk=gdfV27990_a_7c2540_a_7c10815_a_7c133... 1/6](http://raisedbeds.com/garden-kneeler-with-wide-seat/?gdftrk=gdfV27990_a_7c2540_a_7c10815_a_7c133...)>.*

* cited by examiner

Primary Examiner — Susan Bennett Hattan

Assistant Examiner — Vy Koenig

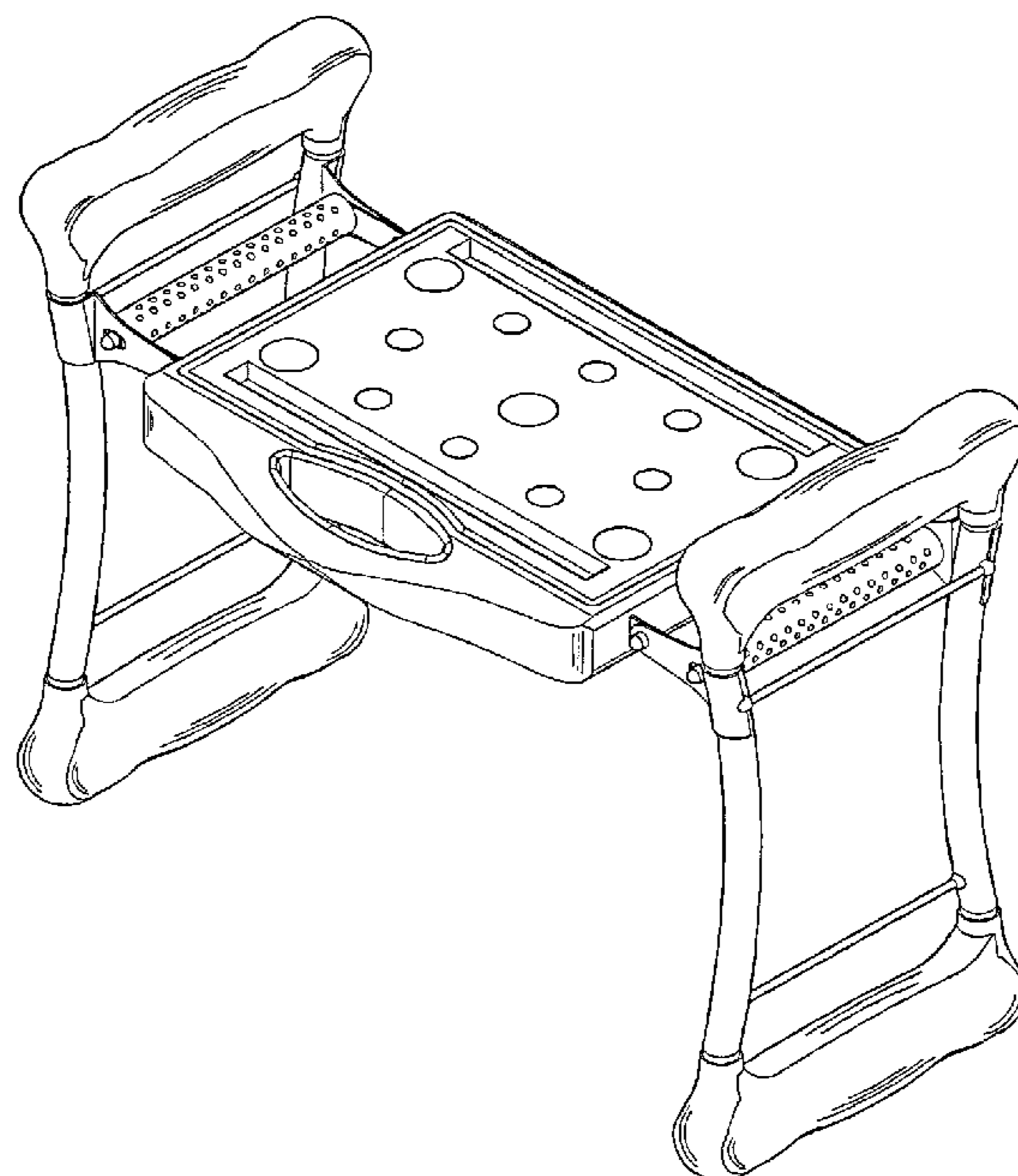
(57) **CLAIM**

The ornamental design for a foldable stool, as shown and described.

DESCRIPTION

FIG. 1 is a perspective view of a foldable stool showing my new design;
FIG. 2 is a front elevational view thereof;
FIG. 3 is a rear elevational view thereof;
FIG. 4 is a left side elevational view thereof;
FIG. 5 is a right side elevational view thereof;
FIG. 6 is a top plan view thereof, wherein the broken lines shown in the drawings depict environmental features that form no part of the claimed design; and,
FIG. 7 is a bottom plan view thereof, wherein the broken lines shown in the drawings depict environmental features that form no part of the claimed design.

1 Claim, 7 Drawing Sheets



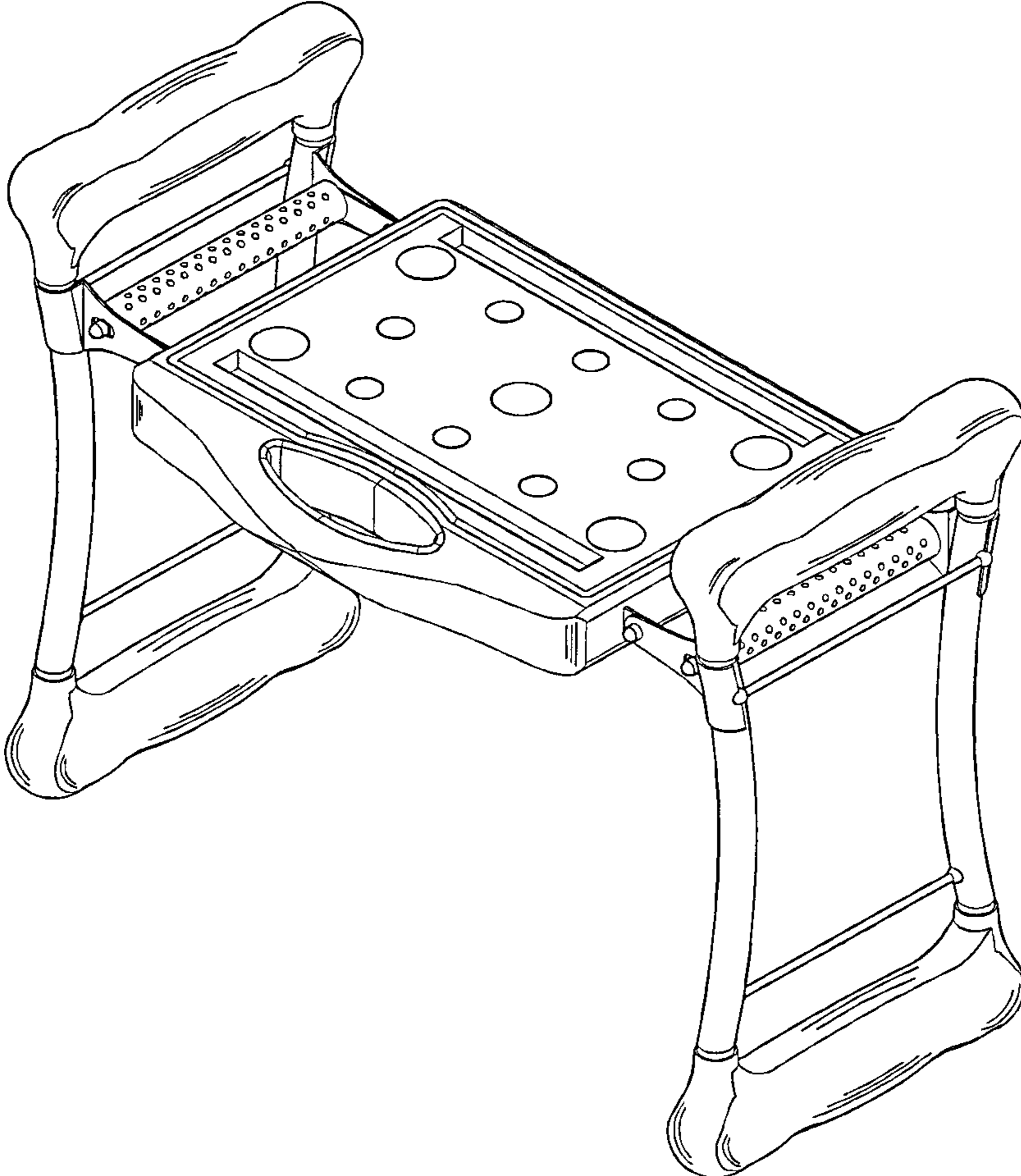


FIG.1

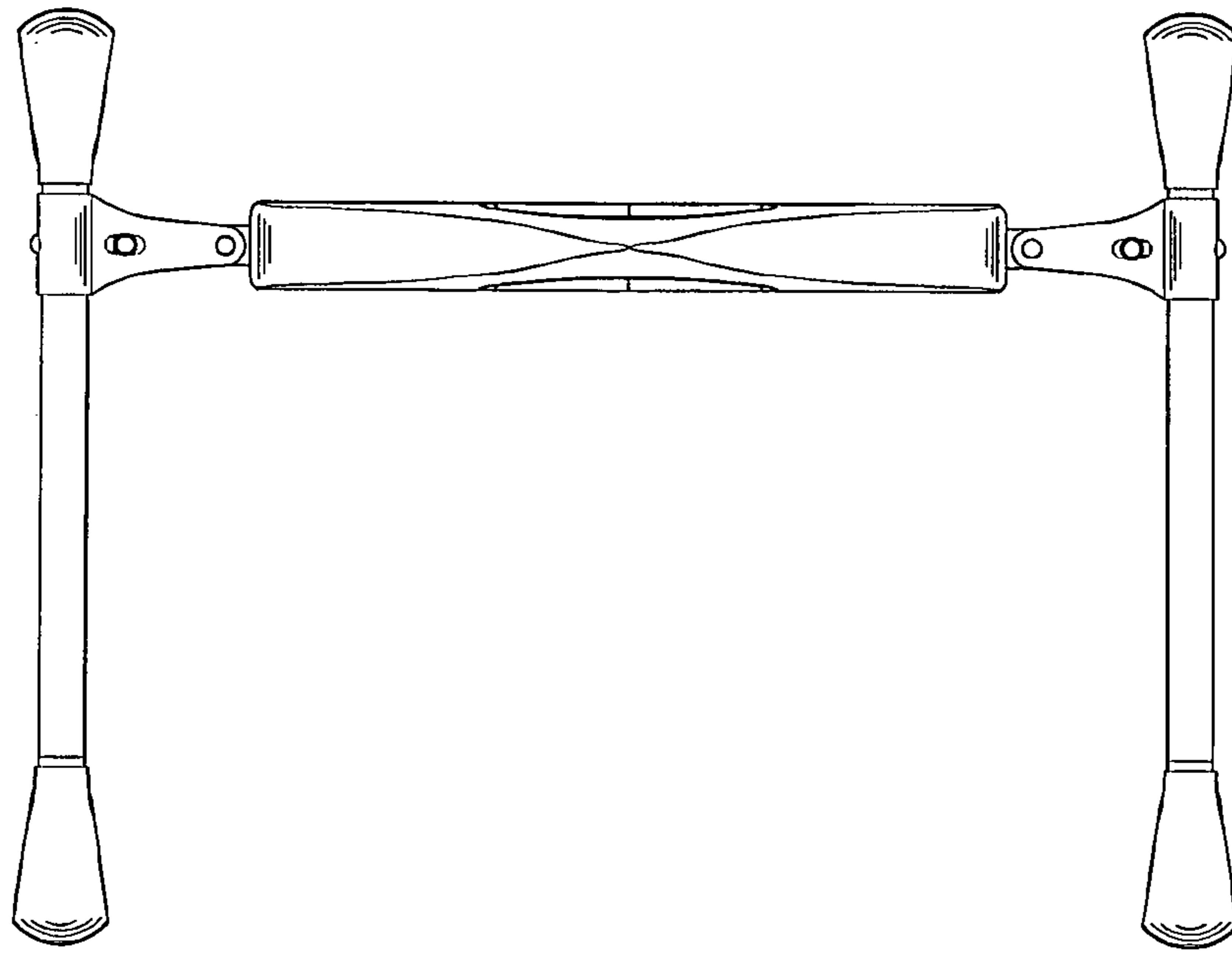


FIG. 2

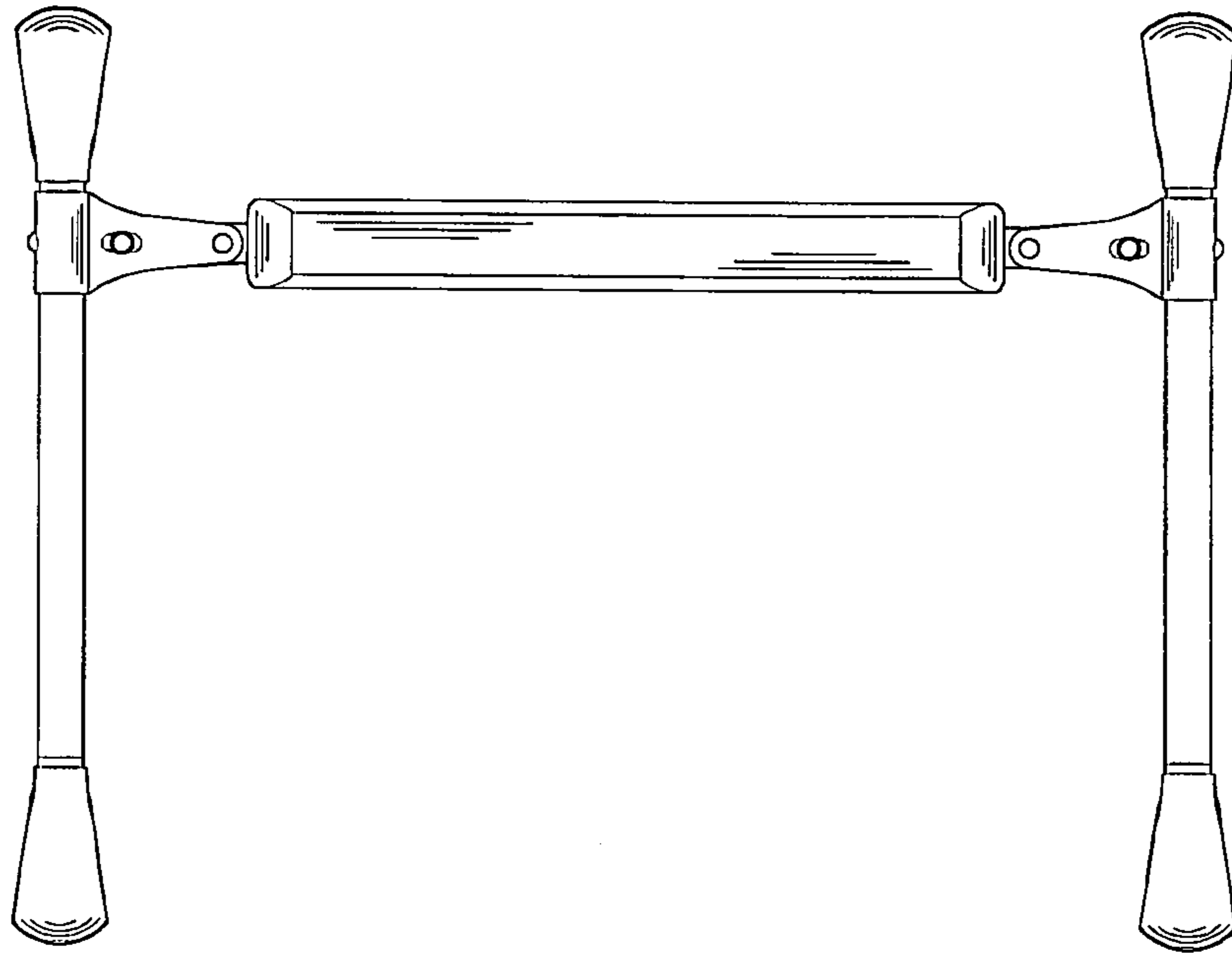


FIG. 3

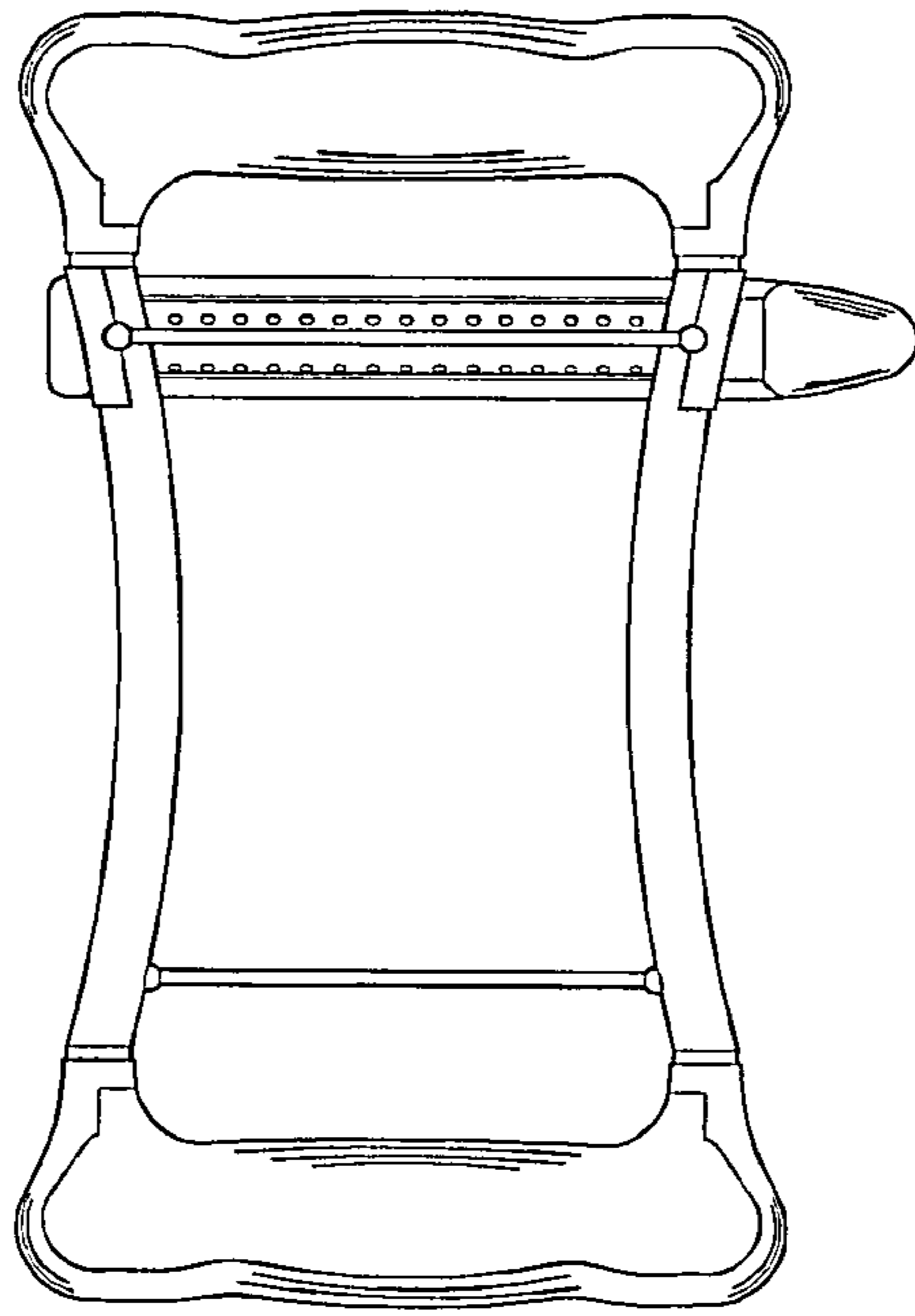


FIG. 4

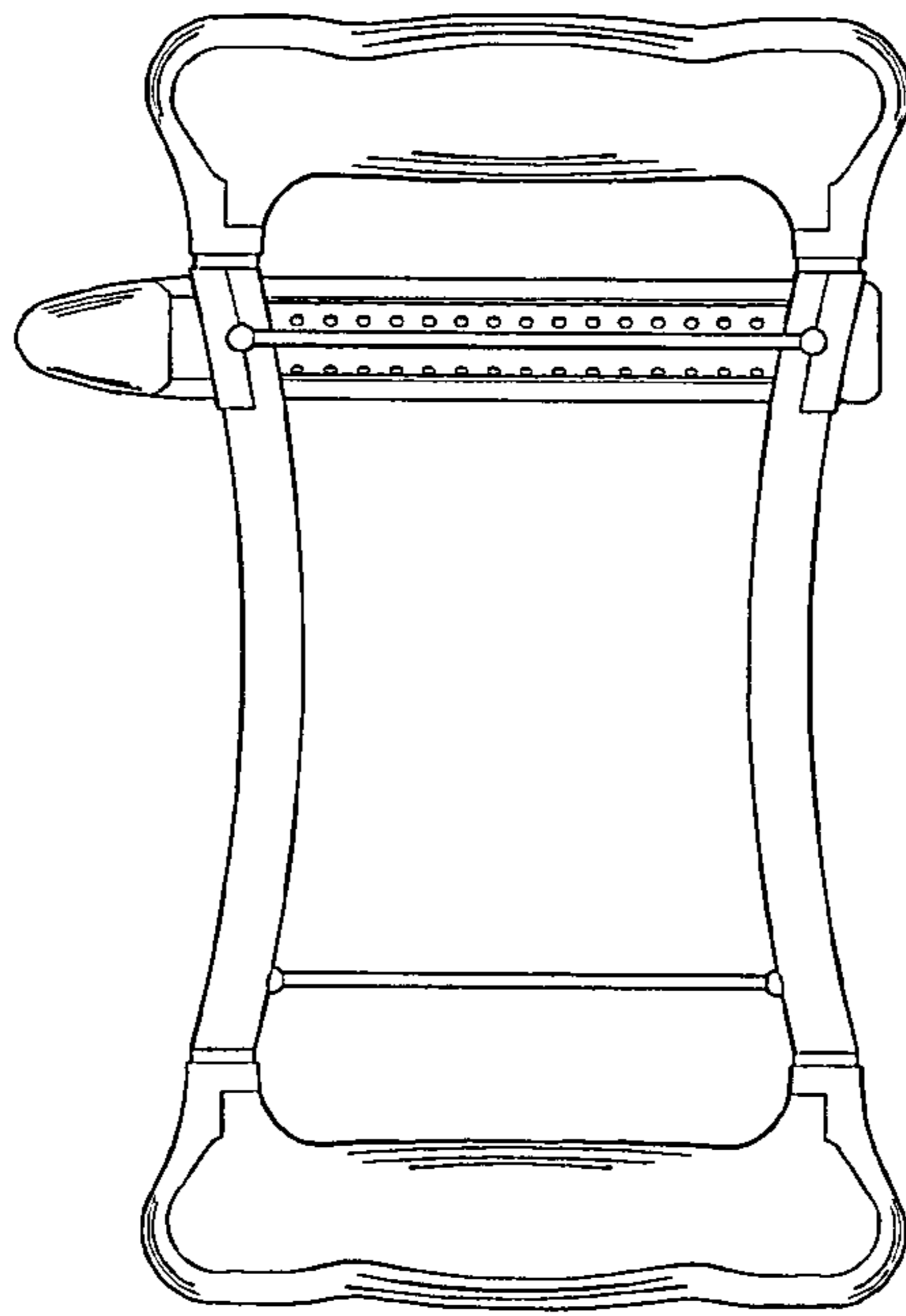


FIG. 5

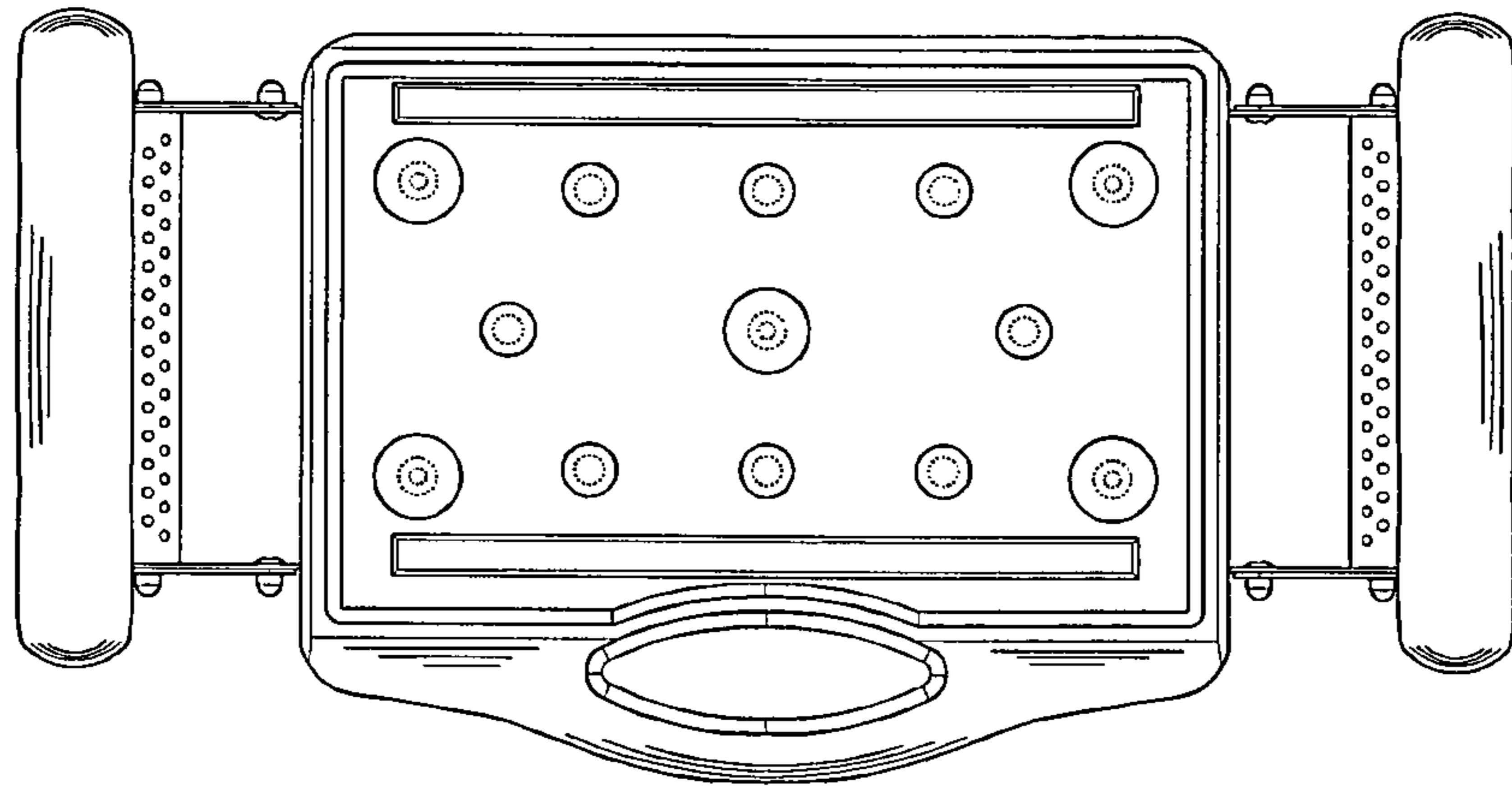


FIG. 6

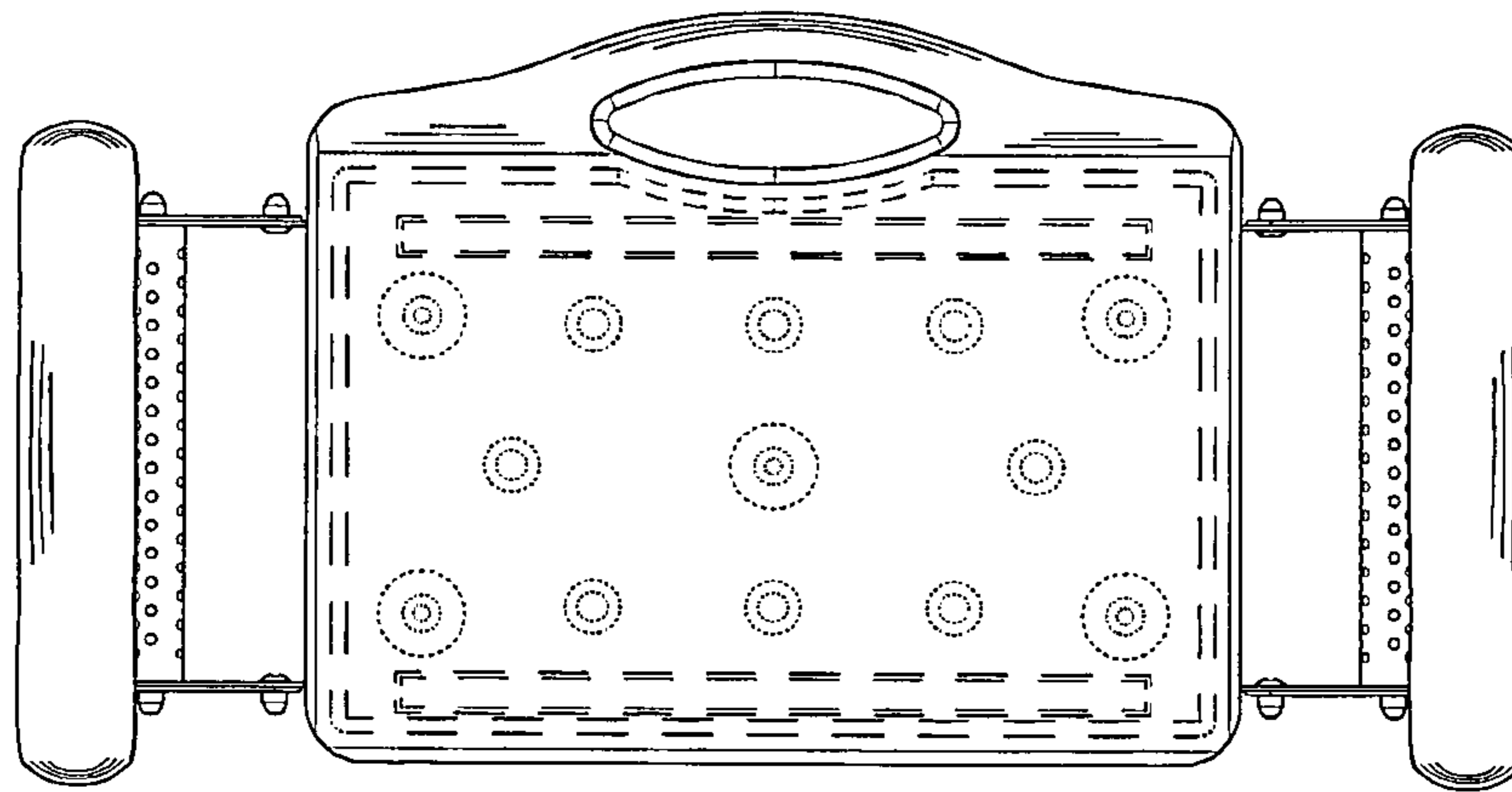


FIG. 7