

US00D718943S

(12) **United States Design Patent**  
**Confer**

(10) **Patent No.:** **US D718,943 S**

(45) **Date of Patent:** **\*\* Dec. 9, 2014**

(54) **TOOL STORAGE STOOL**

(71) Applicant: **Gustave Buddy Confer**, Hesperia, CA  
(US)

(72) Inventor: **Gustave Buddy Confer**, Hesperia, CA  
(US)

(\*\*) Term: **14 Years**

(21) Appl. No.: **29/461,018**

(22) Filed: **Jul. 17, 2013**

(51) **LOC (10) Cl.** ..... **06-01**

(52) **U.S. Cl.**  
USPC ..... **D6/349**

(58) **Field of Classification Search**  
CPC ..... A47C 1/14; A47C 3/16-3/20; A47C 4/00;  
A47C 4/28; A47C 5/02; A47C 7/02; A47C  
9/00; A47C 9/02; A47C 9/002; A47C 9/007;  
A47C 9/025; A47C 11/00; A47C 12/00;  
A47C 13/00; A47C 16/02  
USPC ..... D6/335, 344, 347, 349-355, 358, 360,  
D6/363-365, 367-370, 685, 687, 688, 690,  
D6/691-691.6, 692, 694, 716-716.7;  
D3/73, 281; D34/20  
See application file for complete search history.

(56) **References Cited**

**U.S. PATENT DOCUMENTS**

D134,359 S	11/1942	Awth, Sr.	
4,366,998 A *	1/1983	Kaiser .....	312/235.1
D276,861 S	12/1984	Keddie	
D279,238 S	6/1985	Ferdinand et al.	
D287,434 S *	12/1986	Wolfe et al. ....	D6/336
D314,472 S	2/1991	Brantingham et al.	
D347,527 S	6/1994	Breen et al.	
D351,508 S	10/1994	Bonazza	
D355,828 S *	2/1995	Dickinson et al. ....	D25/63

D376,909 S *	12/1996	Dickinson et al. ....	D3/281
5,641,034 A *	6/1997	Calmeise et al. ....	182/33
D382,113 S	8/1997	DuRapau	
D405,956 S *	2/1999	Meisner et al. ....	D3/274
D416,727 S	11/1999	Dunlap	
D419,331 S *	1/2000	Dembicks .....	D6/429
D482,458 S	11/2003	Limber	
D512,537 S	12/2005	Barnes et al.	
D539,552 S *	4/2007	Dalmau .....	D6/349
D553,372 S *	10/2007	Henschel .....	D6/353
D678,174 S *	3/2013	Wass et al. ....	D12/418

\* cited by examiner

*Primary Examiner* — Susan Bennett Hattan

*Assistant Examiner* — Vy Koenig

(74) *Attorney, Agent, or Firm* — Kirk A. Buhler; Buhler & Associates

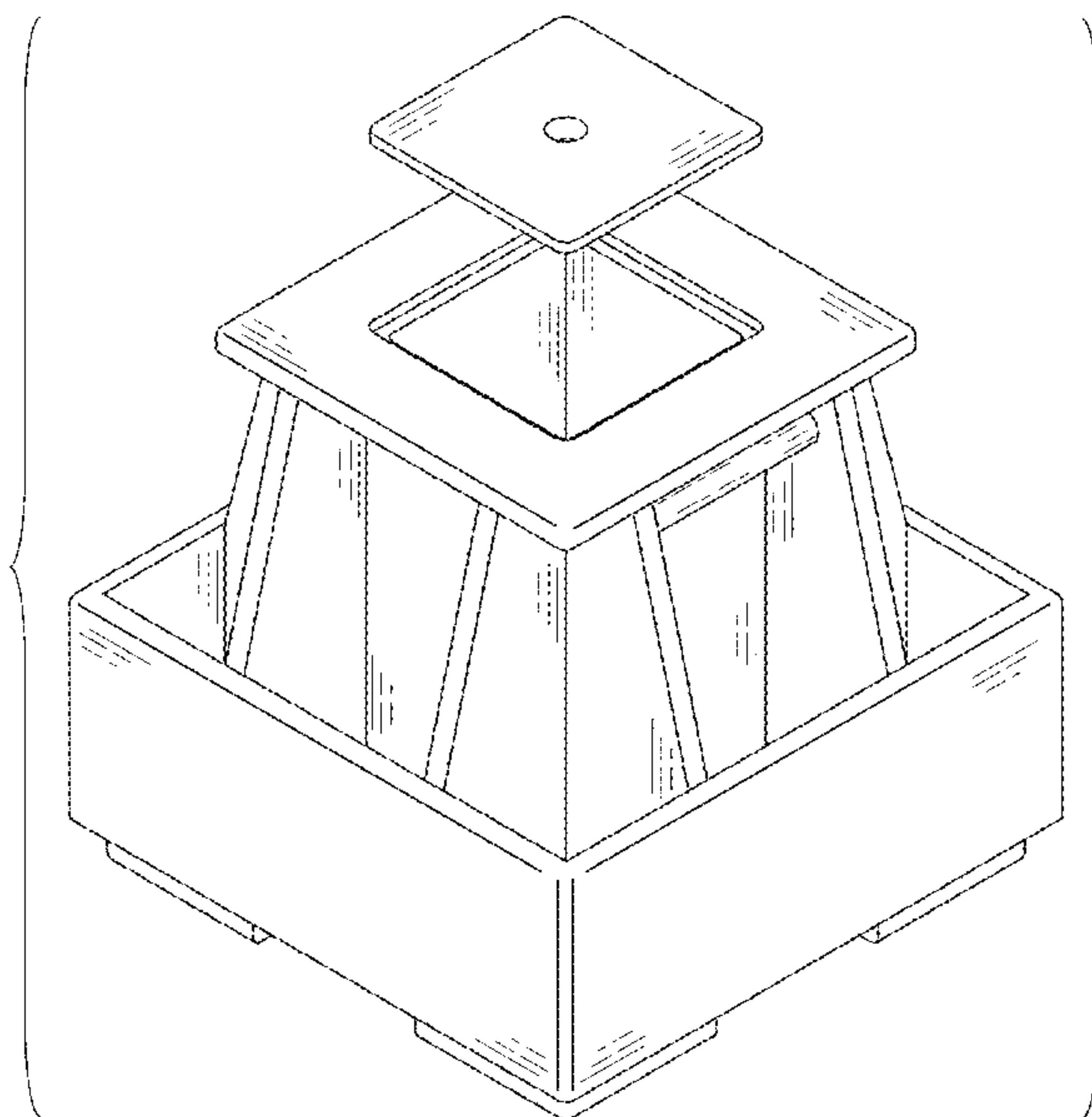
(57) **CLAIM**

The ornamental design for a tool storage stool, as shown and described.

**DESCRIPTION**

FIG. 1 is a top perspective view with the lid slightly displaced for a tool storage stool showing my new design;  
FIG. 2 is a front side view with the lid slightly displaced thereof;  
FIG. 3 is a back side view thereof;  
FIG. 4 is a top side view thereof;  
FIG. 5 is a bottom side view thereof;  
FIG. 6 is a left side view with the lid slightly displaced thereof;  
FIG. 7 is a right side view thereof;  
FIG. 8 is an underside perspective view thereof;  
FIG. 9 is a side sectional view taken along lines 9-9 from FIG. 3 thereof; and,  
FIG. 10 is a side sectional view taken along lines 10-10 from FIG. 3.

**1 Claim, 5 Drawing Sheets**



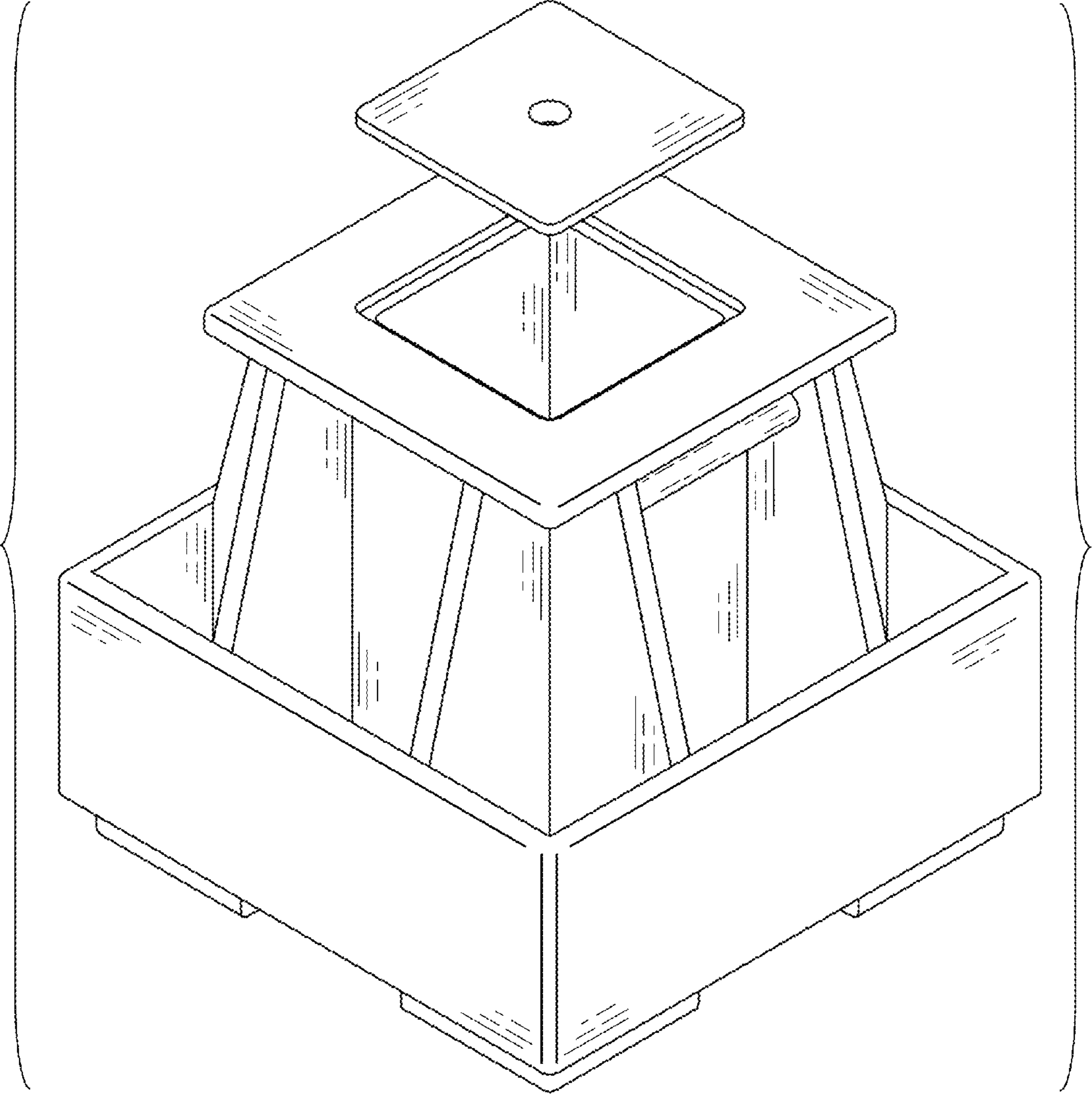
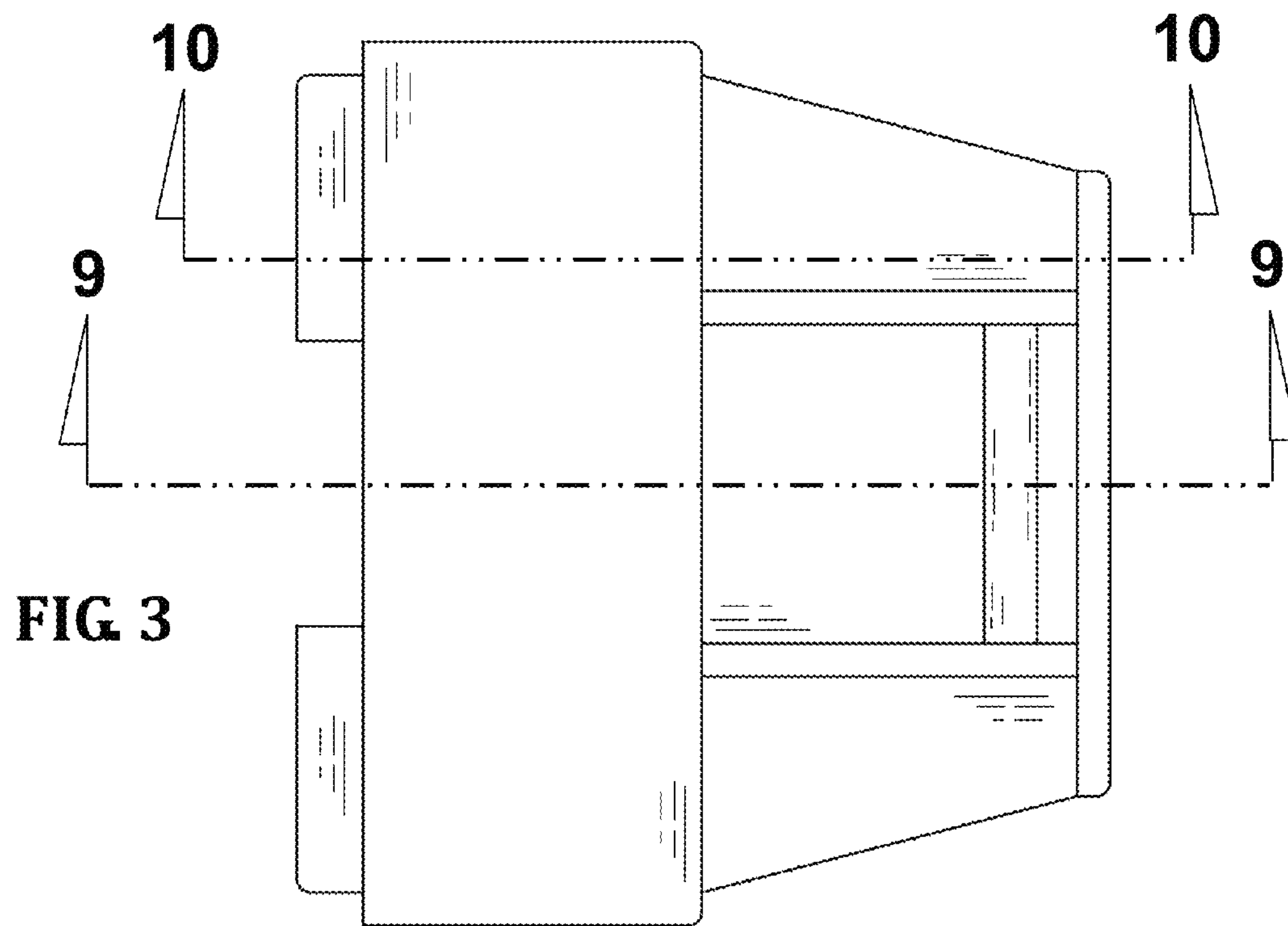
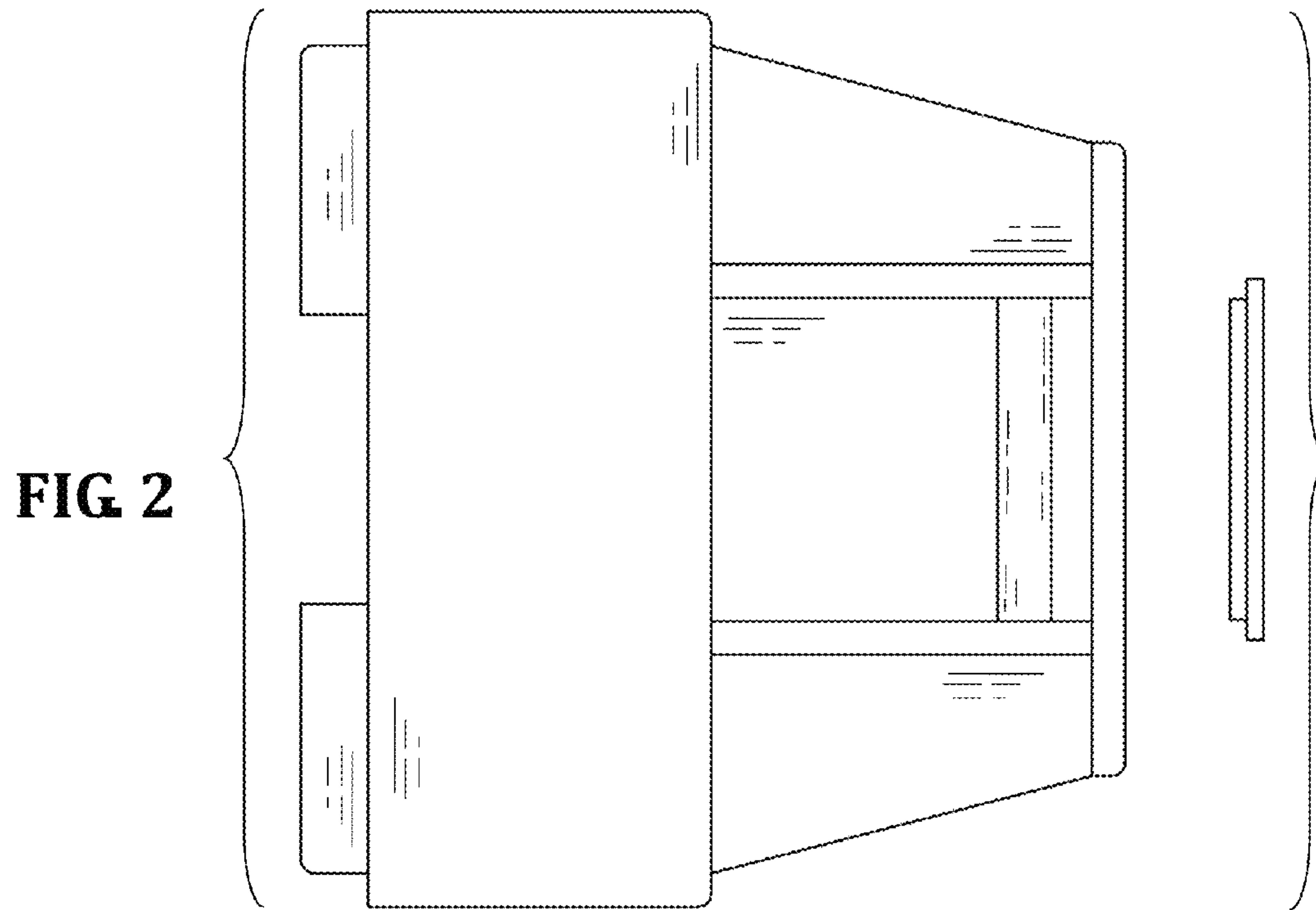
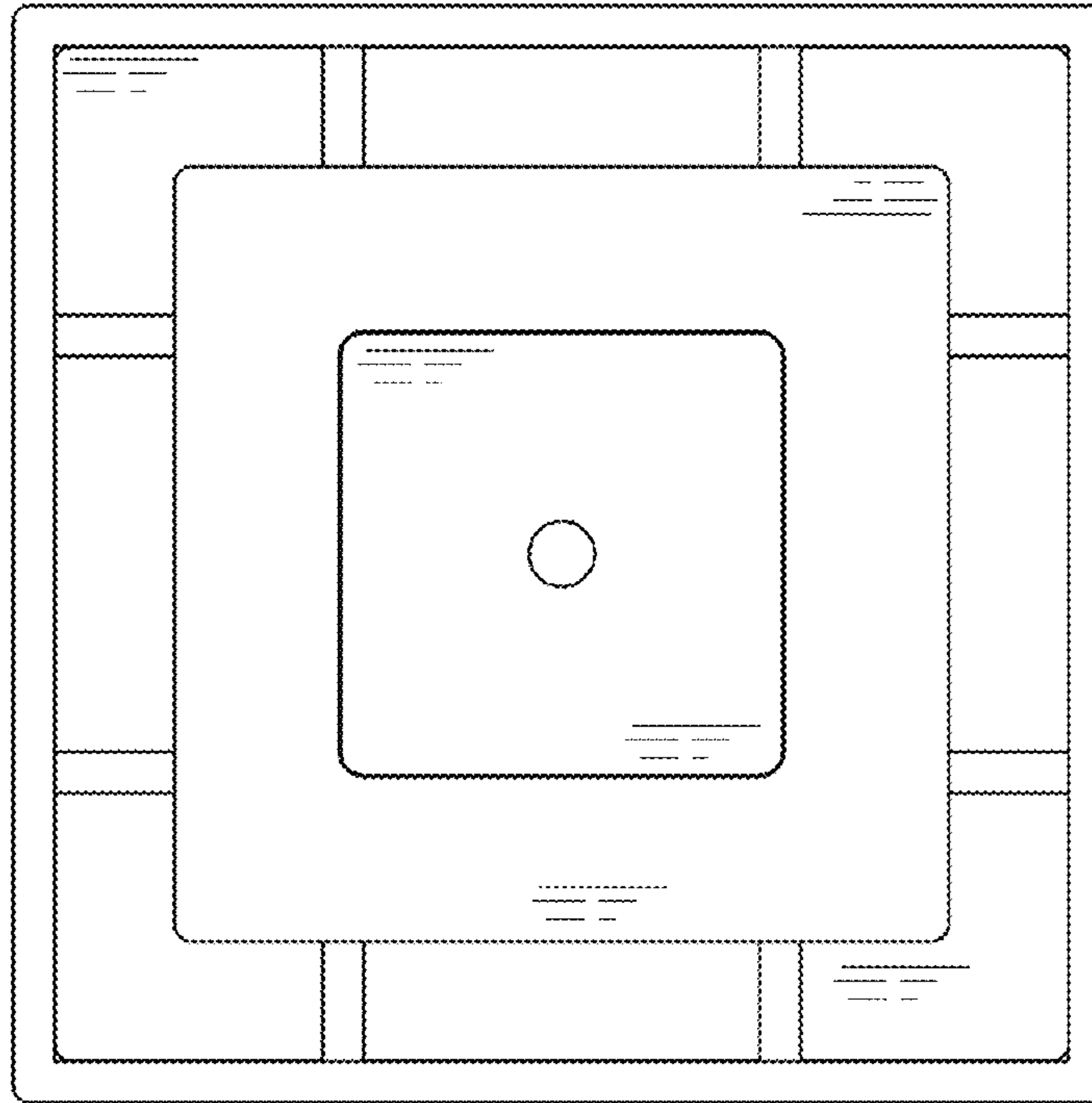


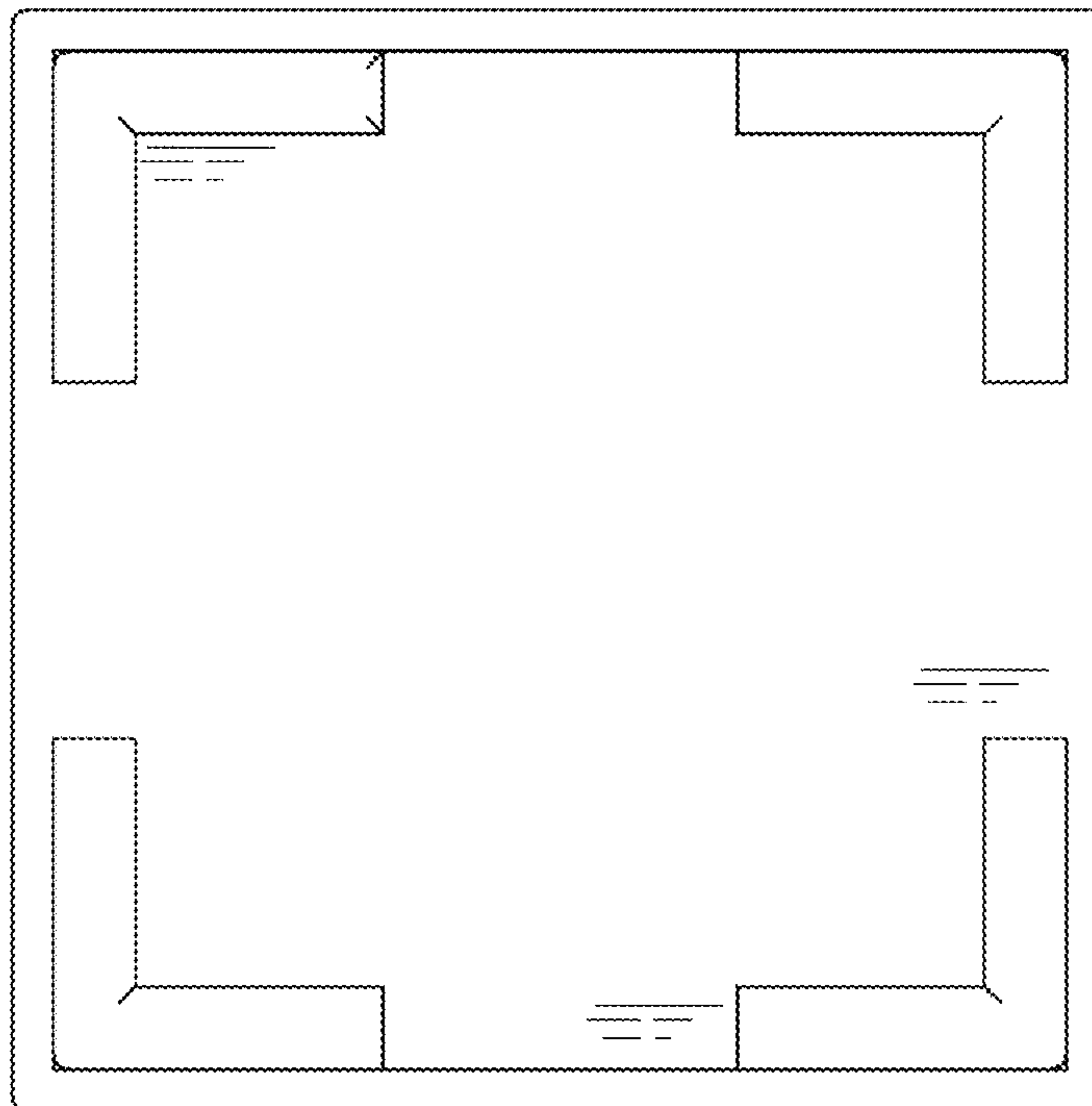
FIG 1



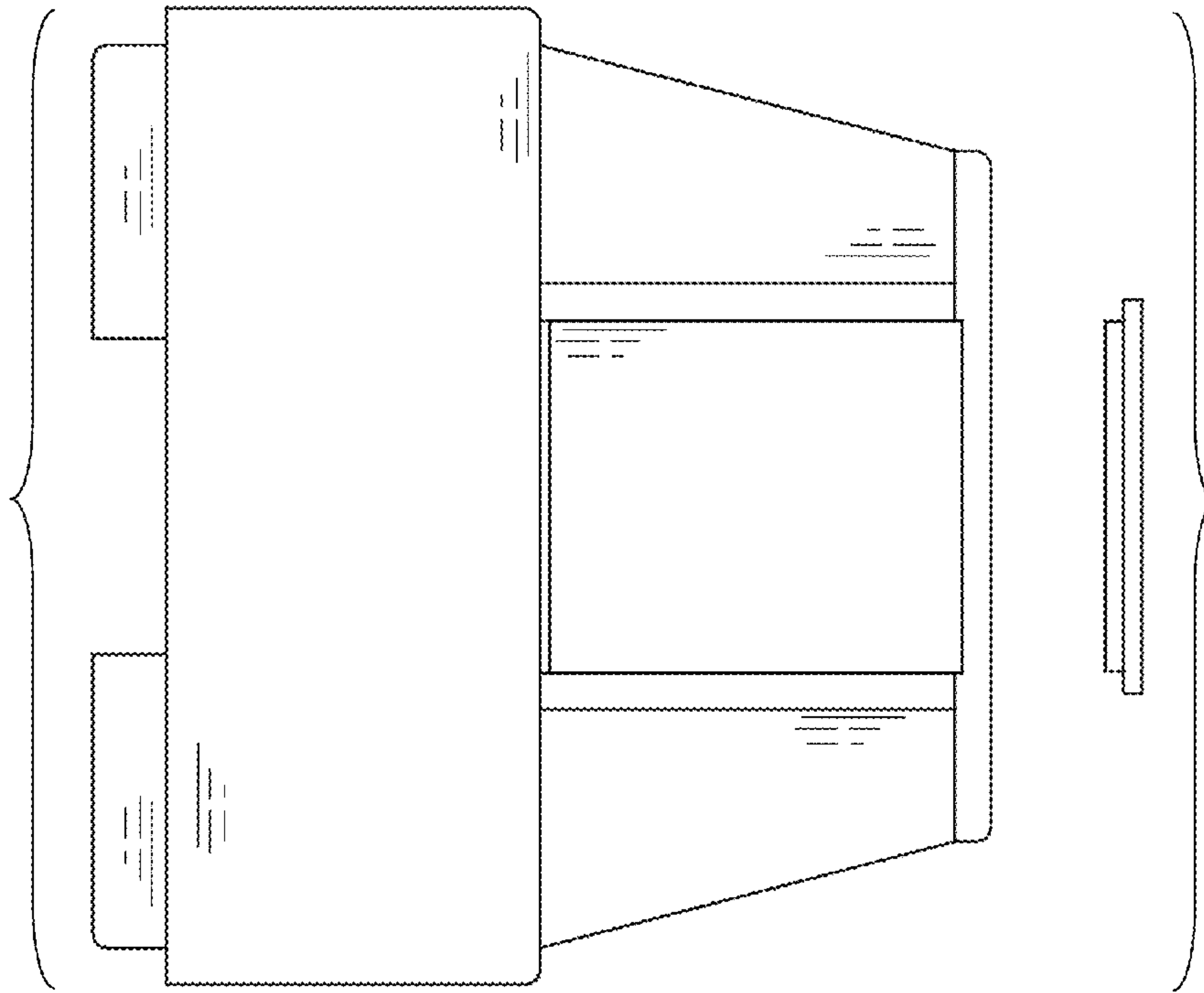
**FIG 4**



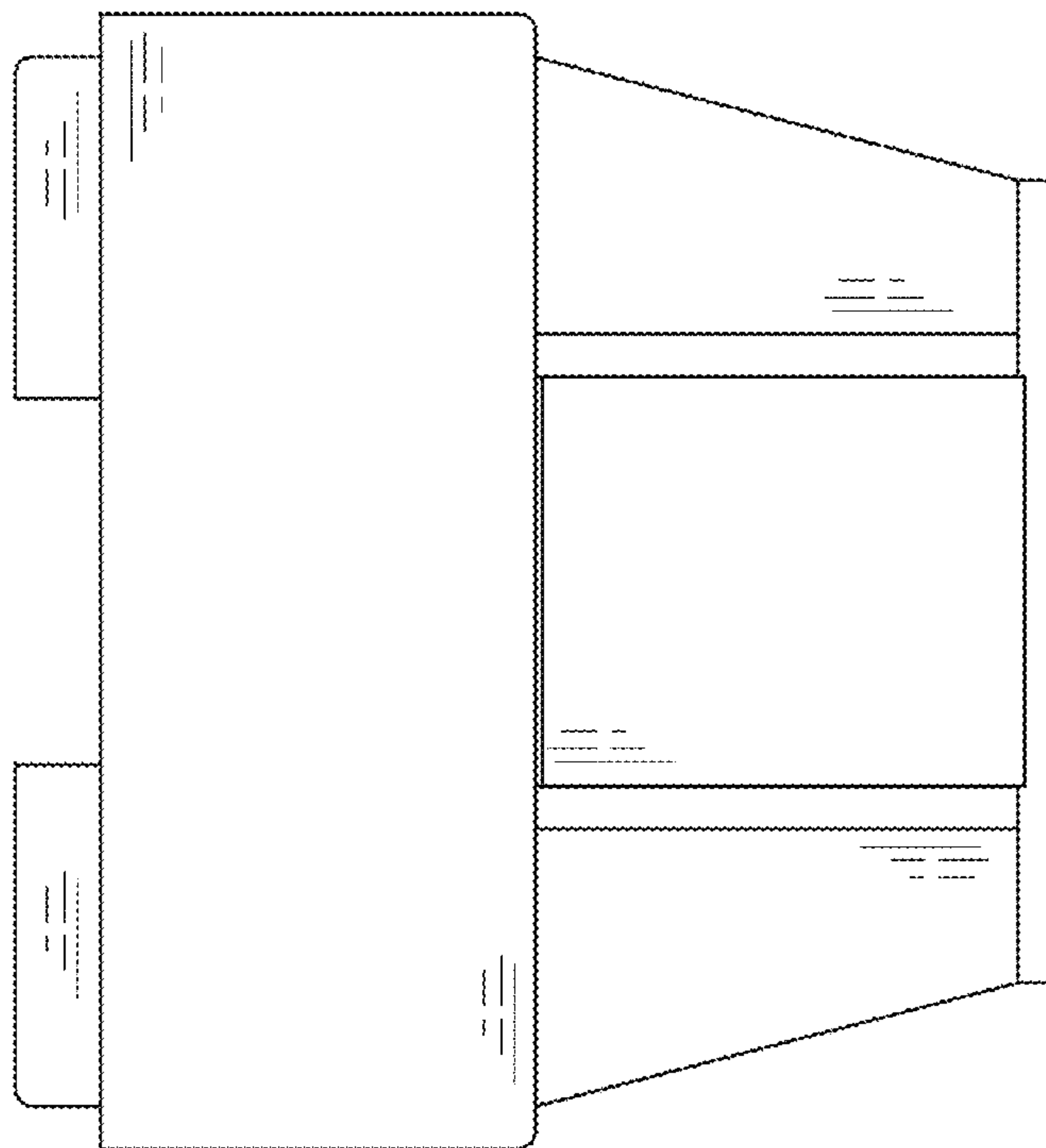
**FIG 5**



**FIG 6**

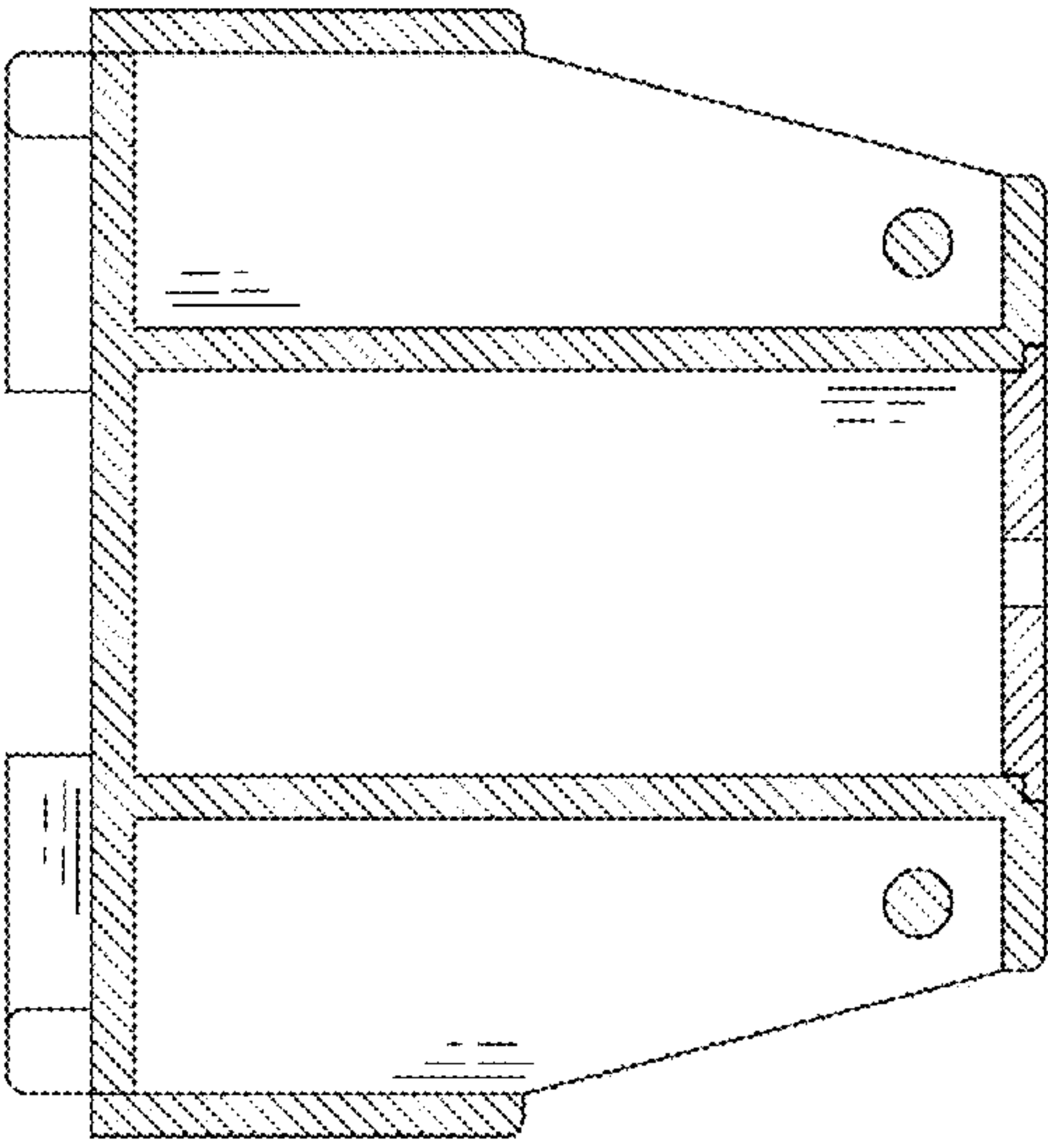
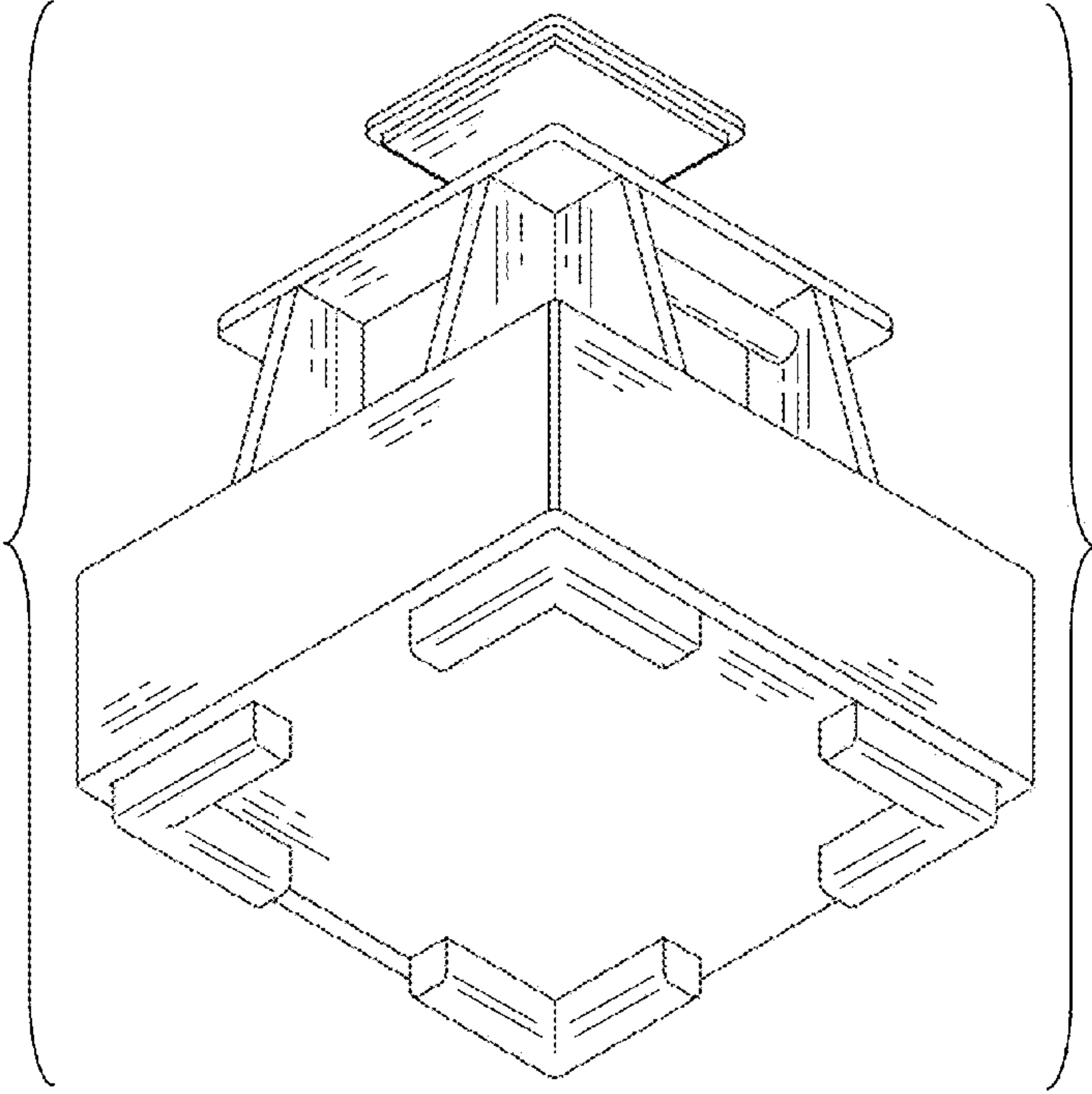


**FIG 7**

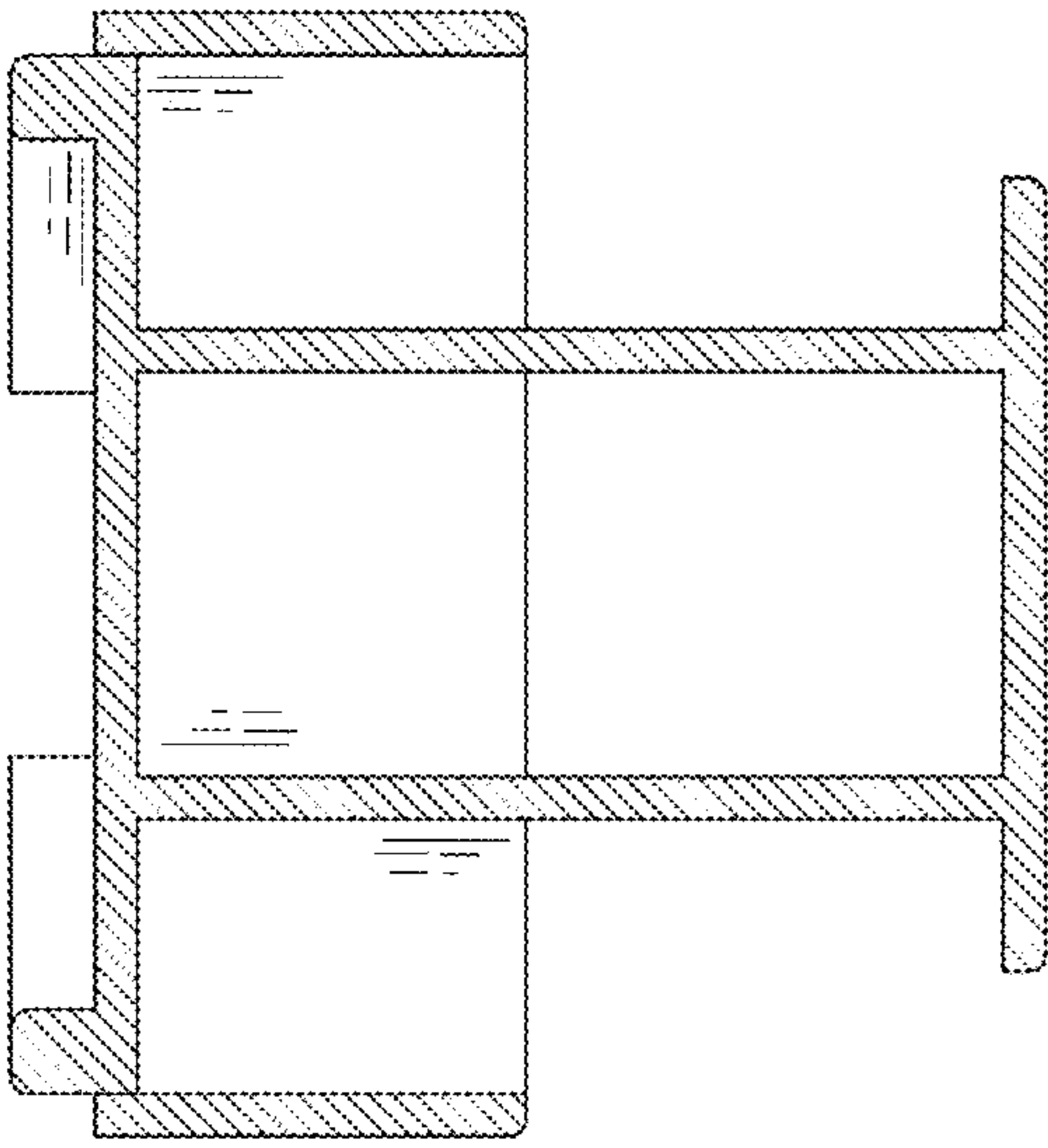




**FIG 8**



**FIG 9**



**FIG 10**