



US00D718942S

(12) **United States Design Patent**  
**Cohen**

(10) **Patent No.:** **US D718,942 S**  
(45) **Date of Patent:** **\*\* Dec. 9, 2014**

(54) **DECORATIVE STOOL**

(71) Applicant: **Howard Cohen**, Indialantic, FL (US)

(72) Inventor: **Howard Cohen**, Indialantic, FL (US)

(\*\*) Term: **14 Years**

(21) Appl. No.: **29/460,009**

(22) Filed: **Jul. 6, 2013**

(51) **LOC (10) Cl.** ..... **06-01**

(52) **U.S. Cl.**  
USPC ..... **D6/349; D6/370**

(58) **Field of Classification Search**

CPC ..... A47C 3/18-3/20; A47C 5/02; A47C 9/00;  
A47C 11/00; A47C 13/00; A47C 9/06;  
A47C 7/16

USPC ..... D6/330, 337, 341, 346, 349-355, 357,  
D6/362, 364-373, 376, 377, 381, 645, 656,  
D6/658, 665, 674, 675.5, 676, 682.4,  
D6/685-692, 694, 694.2, 704, 705, 707,  
D6/707.8, 707.19, 708, 716.1-716.6, 717,  
D6/717.2; 297/423.12, 423.13, 423.37,  
297/461, 462, 115, 116, 135, 160-162

See application file for complete search history.

(56) **References Cited**

**U.S. PATENT DOCUMENTS**

D263,524 S \* 3/1982 Hanson ..... D6/484  
D460,880 S \* 7/2002 Ferrer Beltran ..... D6/480  
D472,396 S \* 4/2003 de Blois ..... D6/349  
D555,919 S \* 11/2007 Baade et al. .... D6/349

**OTHER PUBLICATIONS**

Optiarea Teak Counter Stool—From the Sumba Collection 369. [online] Retrieved Mar. 9, 2014 from URL: <<http://www.aquateak.com/counter-bar-stools/optiarea-teak-counter-stool-from-the-sumba-collection-369/>>.\*

Home Styles Parker 24 in. Backless Wood Counter Stool. [online] Retrieved Mar. 10, 2014 from URL: <<http://www.hayneedle.com/product/parkercounterstool.cfm>>.\*

Teak Santa Monica Counter Stool, [www.exportersindia.com](http://www.exportersindia.com), Date Downloaded Jun. 24, 2013.

Teak Bar Stool, [www.goldenteak.com](http://www.goldenteak.com), Date Downloaded Jun. 24, 2013.

Grade A Teak Wood Curved Seat Shower Bath Spa Stool Bench Outdoor Patio, [www.ebay.com](http://www.ebay.com), Date Downloaded Jun. 24, 2013.

\* cited by examiner

*Primary Examiner* — Susan Bennett Hattan

*Assistant Examiner* — Vy Koenig

(74) *Attorney, Agent, or Firm* — Stephen C. Thomas

(57) **CLAIM**

The ornamental design for a decorative stool, as shown and described.

**DESCRIPTION**

FIG. 1 depicts a perspective view of the decorative stool of the invention.

FIG. 2 depicts a front view of the decorative stool of the invention.

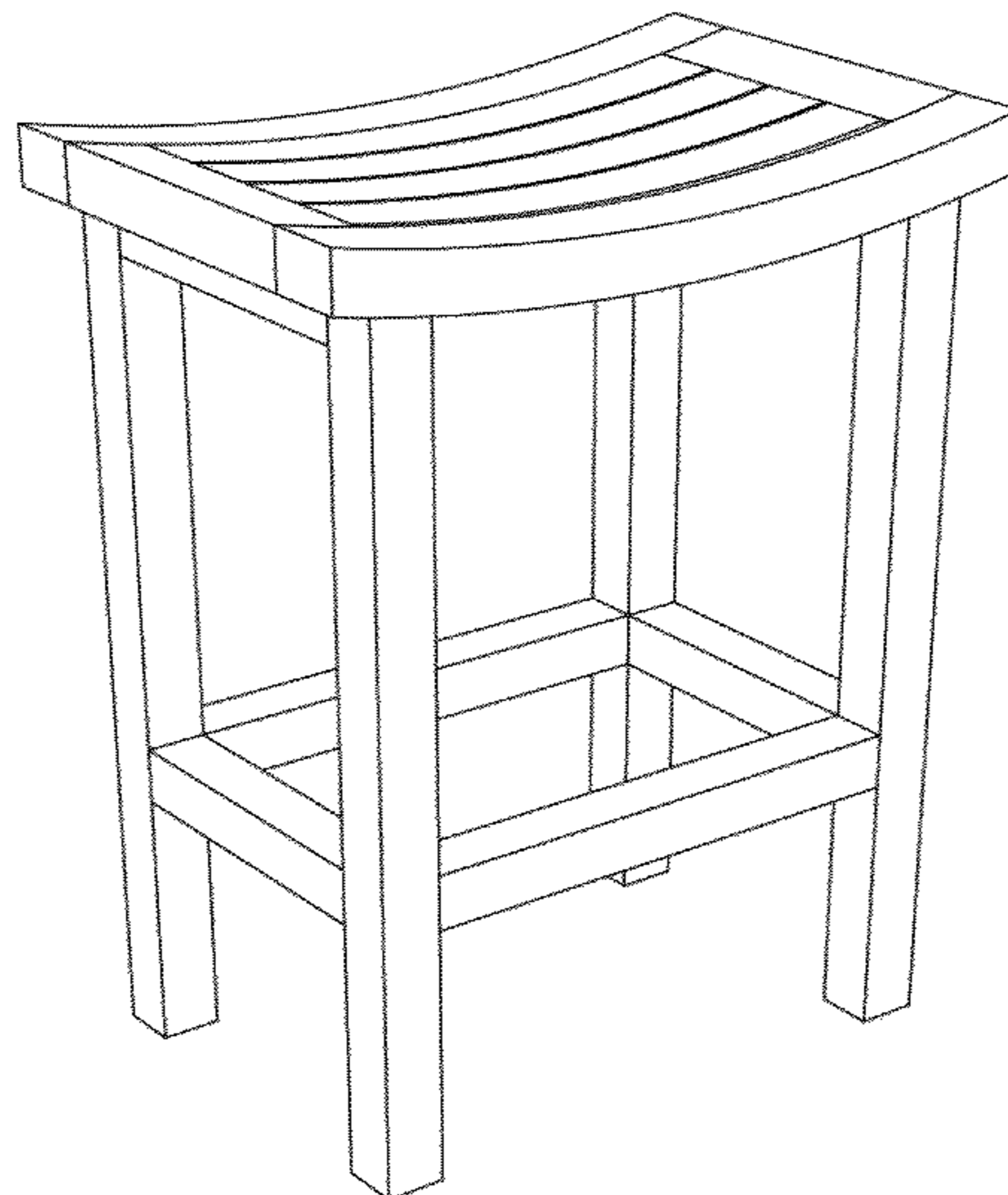
FIG. 3 depicts a perspective left side view of the decorative stool of the invention.

FIG. 4 depicts a perspective right side view of the decorative stool of the invention.

FIG. 5 depicts a top view of the decorative stool of the invention; and,

FIG. 6 depicts a bottom view of the decorative stool of the invention.

**1 Claim, 6 Drawing Sheets**



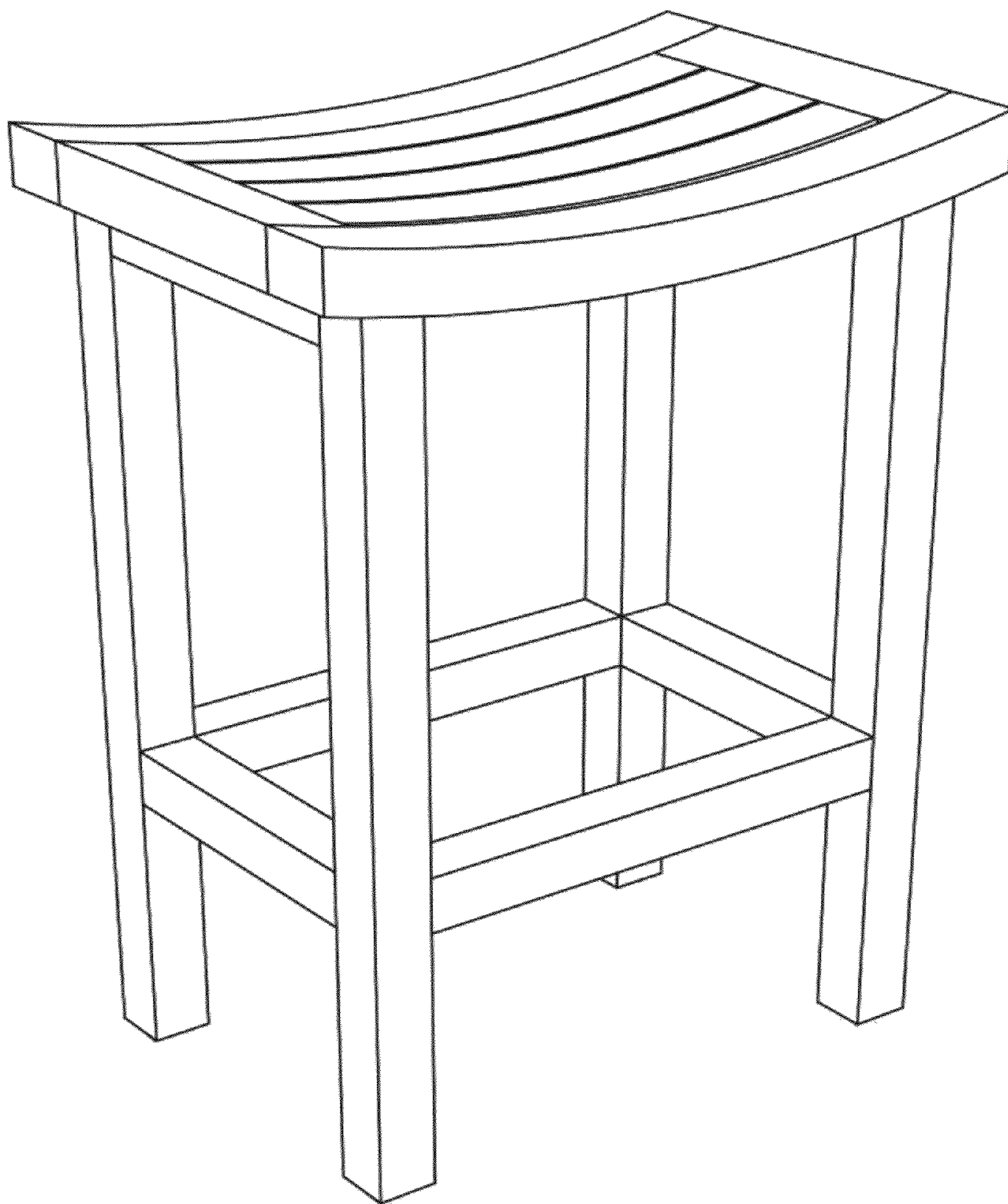


Fig. 1

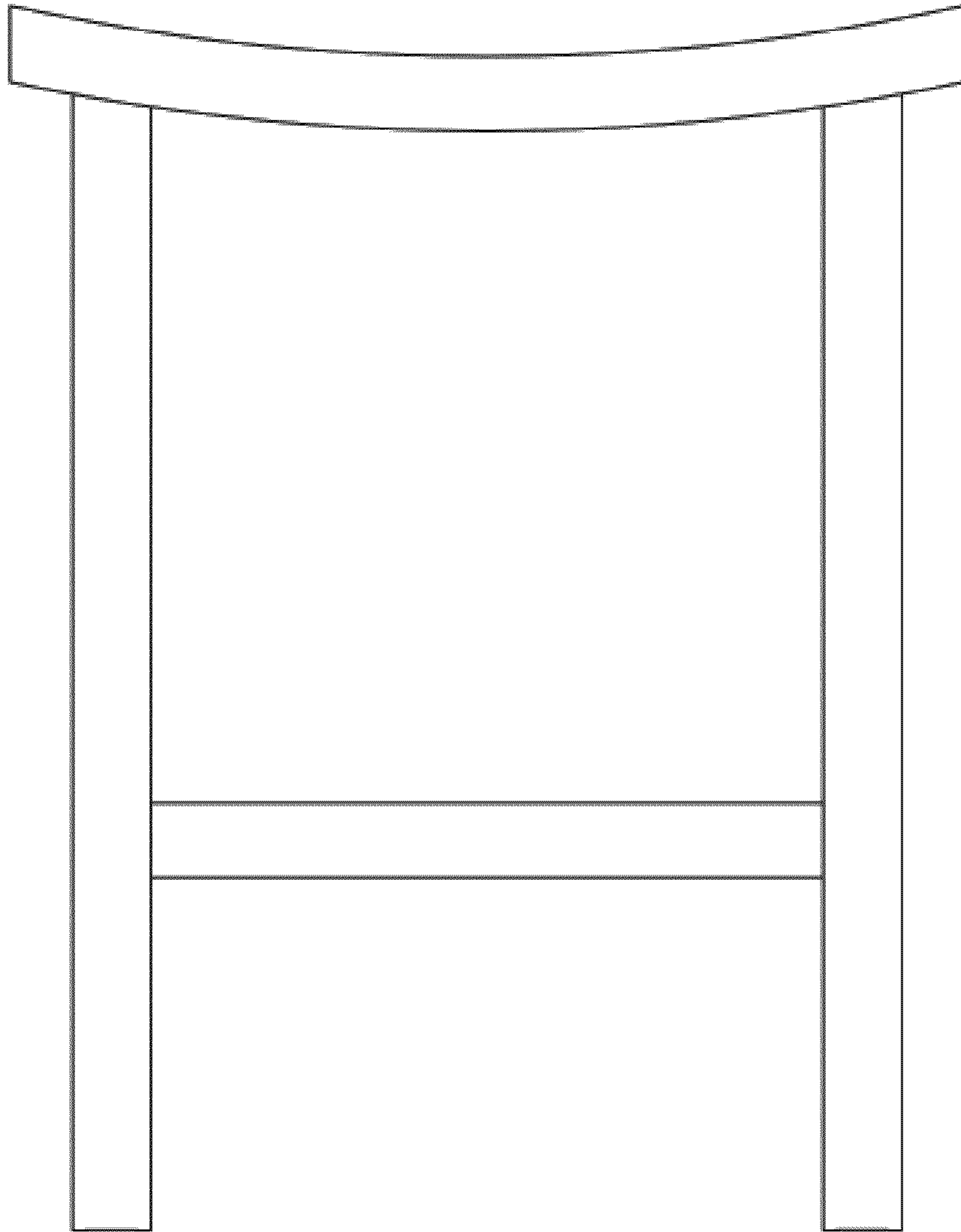


Fig. 2

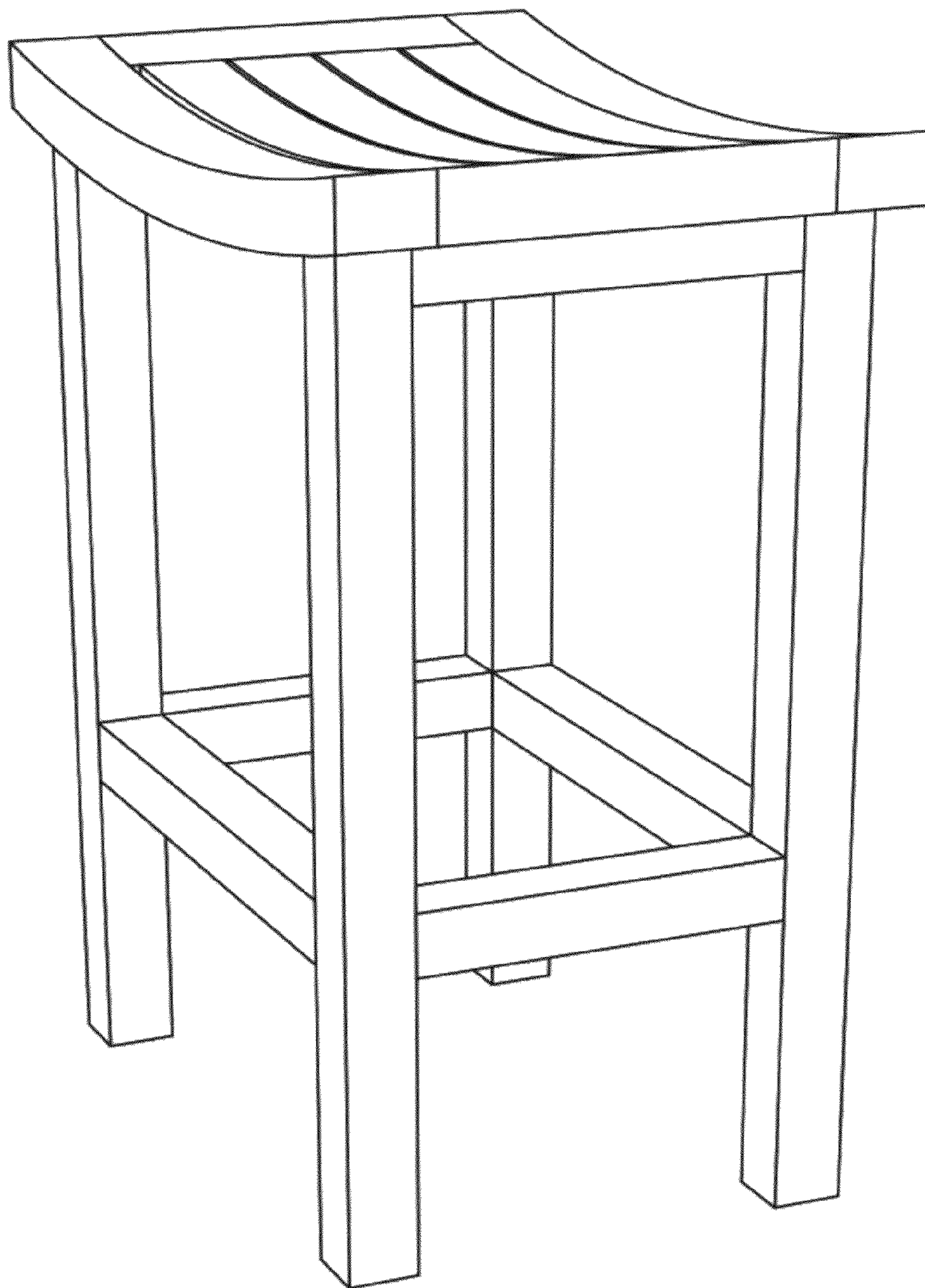


Fig. 3

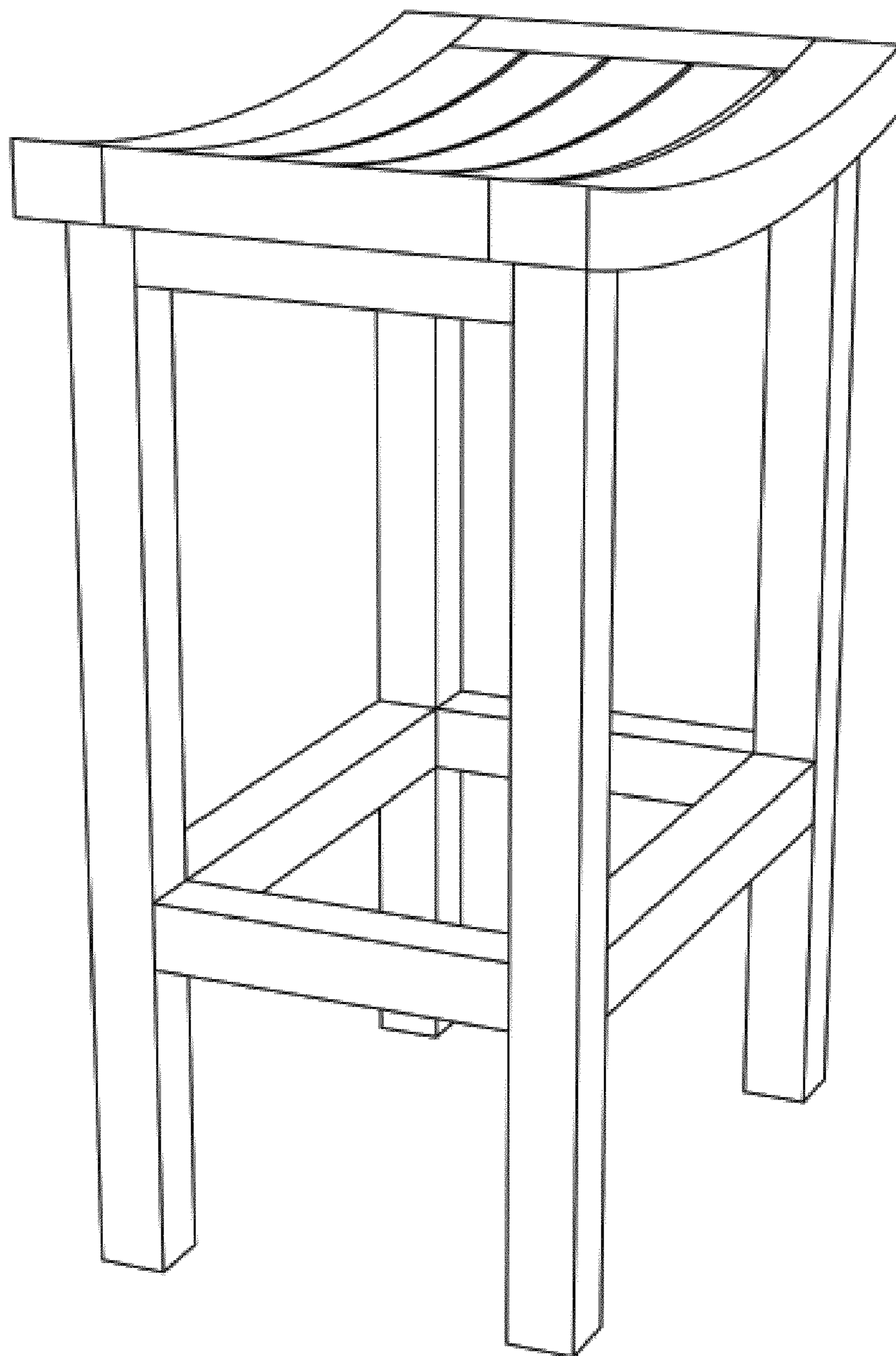
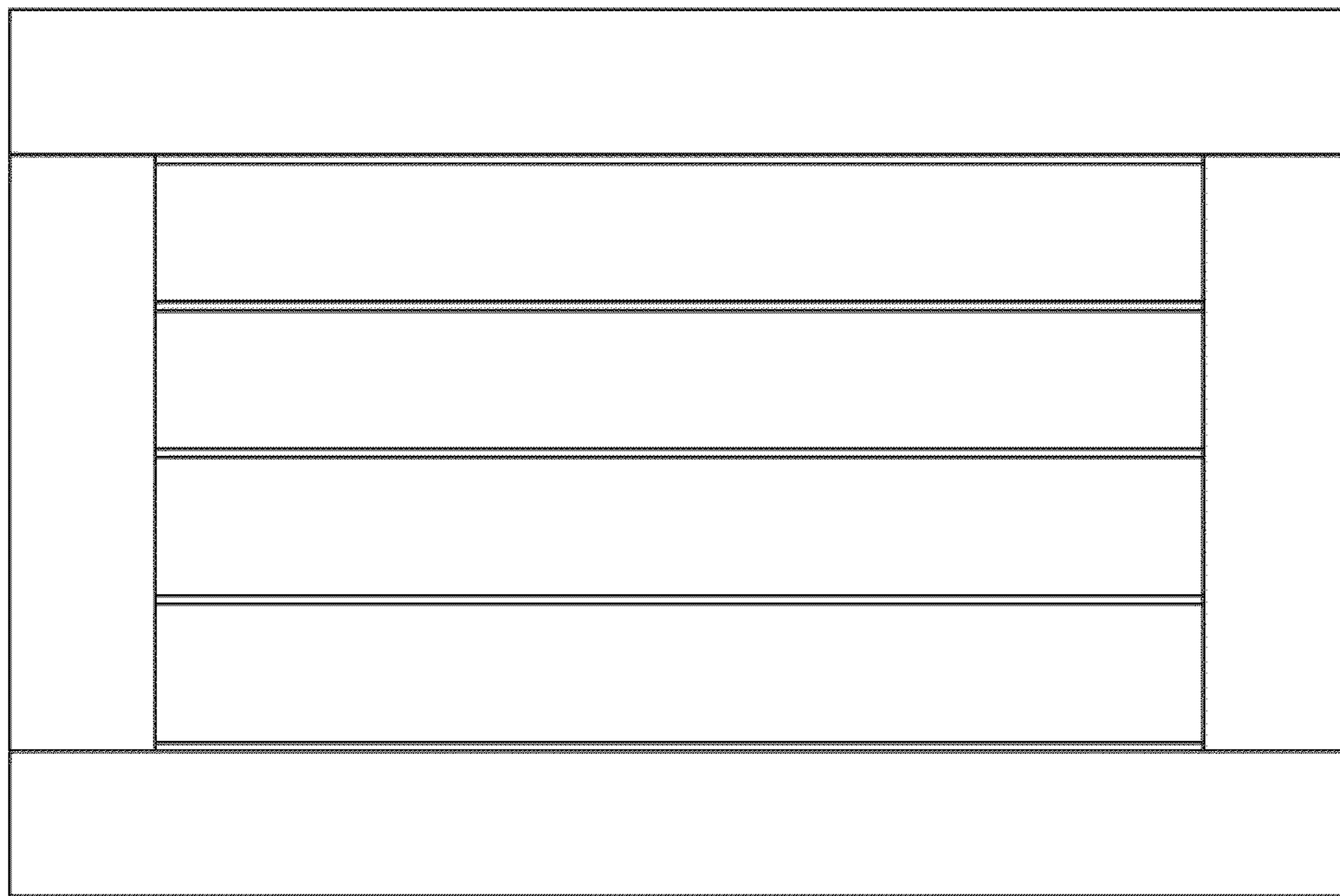


Fig. 4

Fig. 5



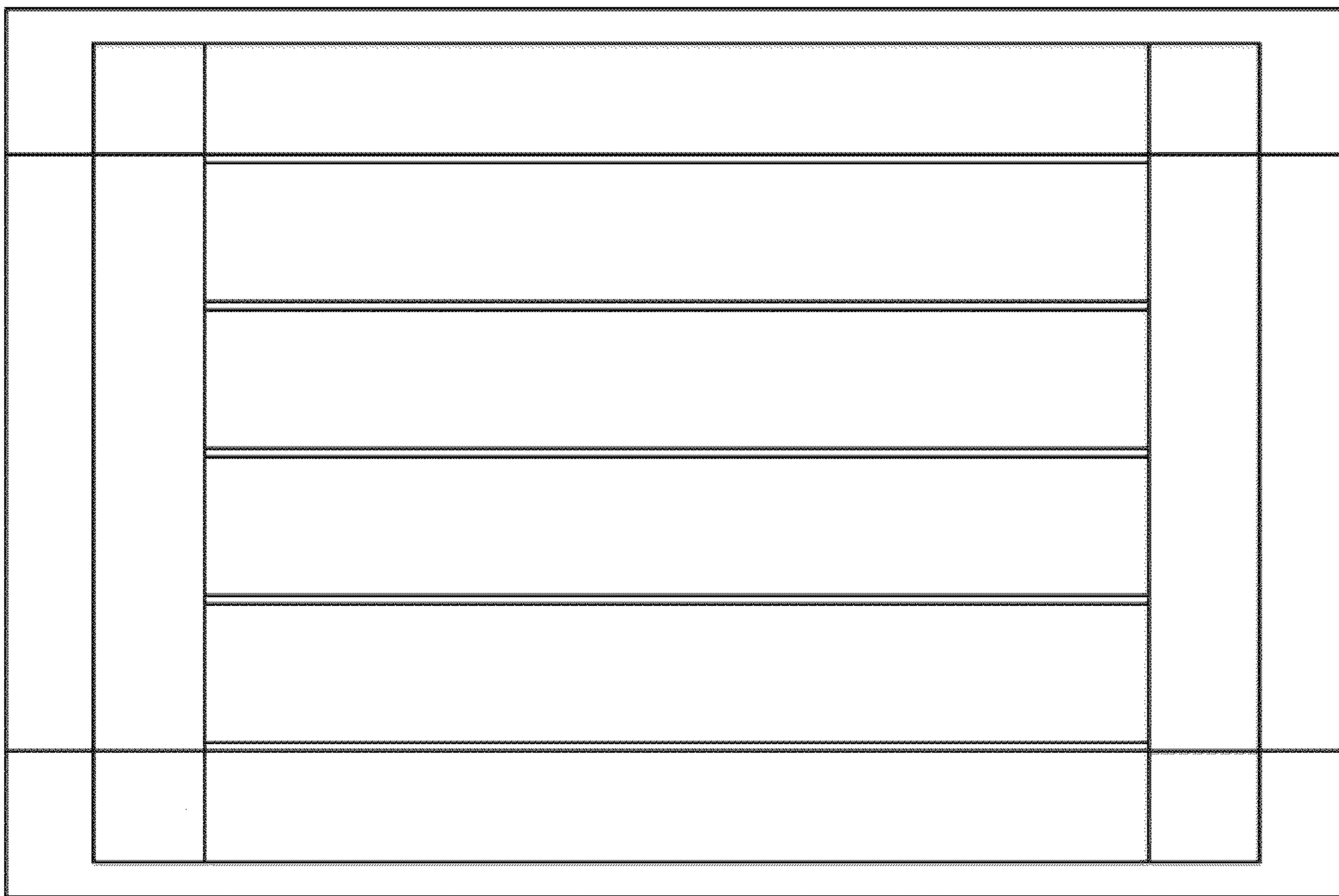


Fig. 6