



US00D718940S

(12) **United States Design Patent**
Bruce

(10) **Patent No.:** **US D718,940 S**

(45) **Date of Patent:** **** Dec. 9, 2014**

(54) **GOLF BAG BOTTOM**

(71) Applicant: **Karsten Manufacturing Corporation,**
Phoenix, AZ (US)

(72) Inventor: **Ryan J. Bruce,** Phoenix, AZ (US)

(73) Assignee: **Karsten Manufacturing Corporation,**
Phoenix, AZ (US)

(**) Term: **14 Years**

(21) Appl. No.: **29/467,501**

(22) Filed: **Sep. 19, 2013**

(51) **LOC (10) Cl.** **03-01**

(52) **U.S. Cl.**
USPC **D3/328.1; D3/255**

(58) **Field of Classification Search**
USPC D3/320, 328.1, 254, 255, 259, 905;
D34/12, 15, 27; 206/315.2, 315.8;
220/628; 211/70.2; 248/95, 96

See application file for complete search history.

(56) **References Cited**

U.S. PATENT DOCUMENTS

1,628,186	A	5/1927	Pierce et al.
1,767,548	A	6/1930	Noe
1,902,644	A	3/1933	Hotze
2,185,706	A	1/1940	Gihon
D118,815	S	2/1940	Ferguson
2,217,353	A	10/1940	Wyman
2,275,297	A	3/1942	Hearnshaw
2,436,688	A	2/1948	Corbett
D208,481	S	9/1967	Murray, Jr.
3,371,898	A	3/1968	Murray, Jr.
3,901,299	A	8/1975	Picco
D372,362	S	8/1996	Bryant
D406,459	S	3/1999	Sundara et al.

D421,839	S	3/2000	Beck et al.
6,148,998	A	11/2000	Tan
6,648,137	B2	11/2003	Hamamori
D487,543	S	3/2004	Chang
D513,125	S	12/2005	Anderson
6,976,580	B2	12/2005	Okuyama et al.
D524,055	S	7/2006	Cheng
7,261,260	B2	8/2007	Tan
D578,765	S	10/2008	Anderson
7,445,115	B2	11/2008	Tan
7,617,931	B2	11/2009	Shiao
D613,068	S	4/2010	Quartarone, III
D615,760	S	5/2010	Anderson
D644,837	S	9/2011	Anderson

(Continued)

Primary Examiner — Stella Reid

Assistant Examiner — Holly E Thurman

(74) *Attorney, Agent, or Firm* — Bryan Cave LLP

(57) **CLAIM**

The ornamental design for a golf bag bottom, as shown and described.

DESCRIPTION

FIG. 1 is a top perspective view of a golf bag bottom showing my new design;

FIG. 2 is a bottom perspective view of the golf bag bottom of FIG. 1;

FIG. 3 is a rear view of the golf bag bottom of FIG. 1;

FIG. 4 is a front view of the golf bag bottom of FIG. 1;

FIG. 5 is a top view of the golf bag bottom of FIG. 1;

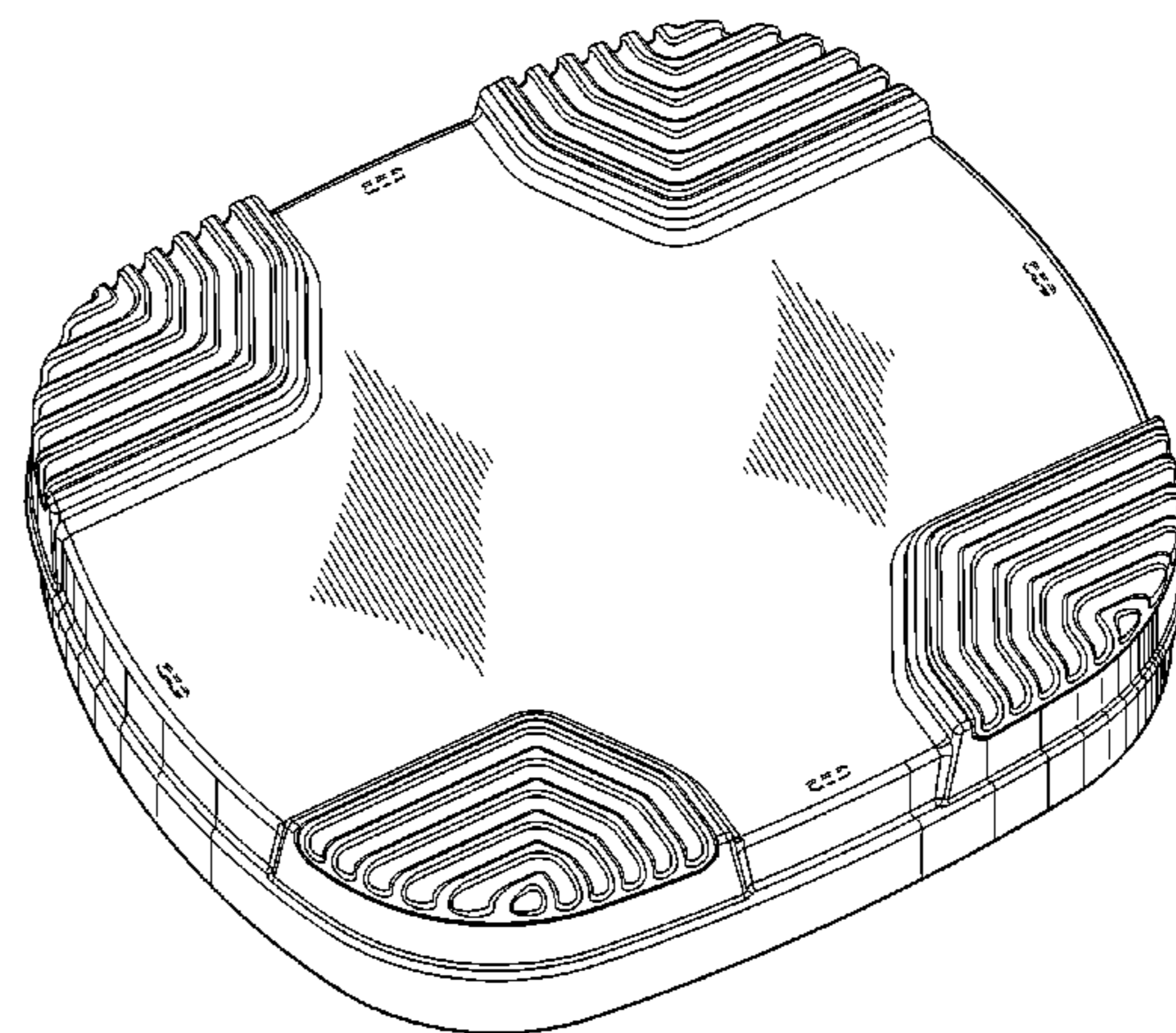
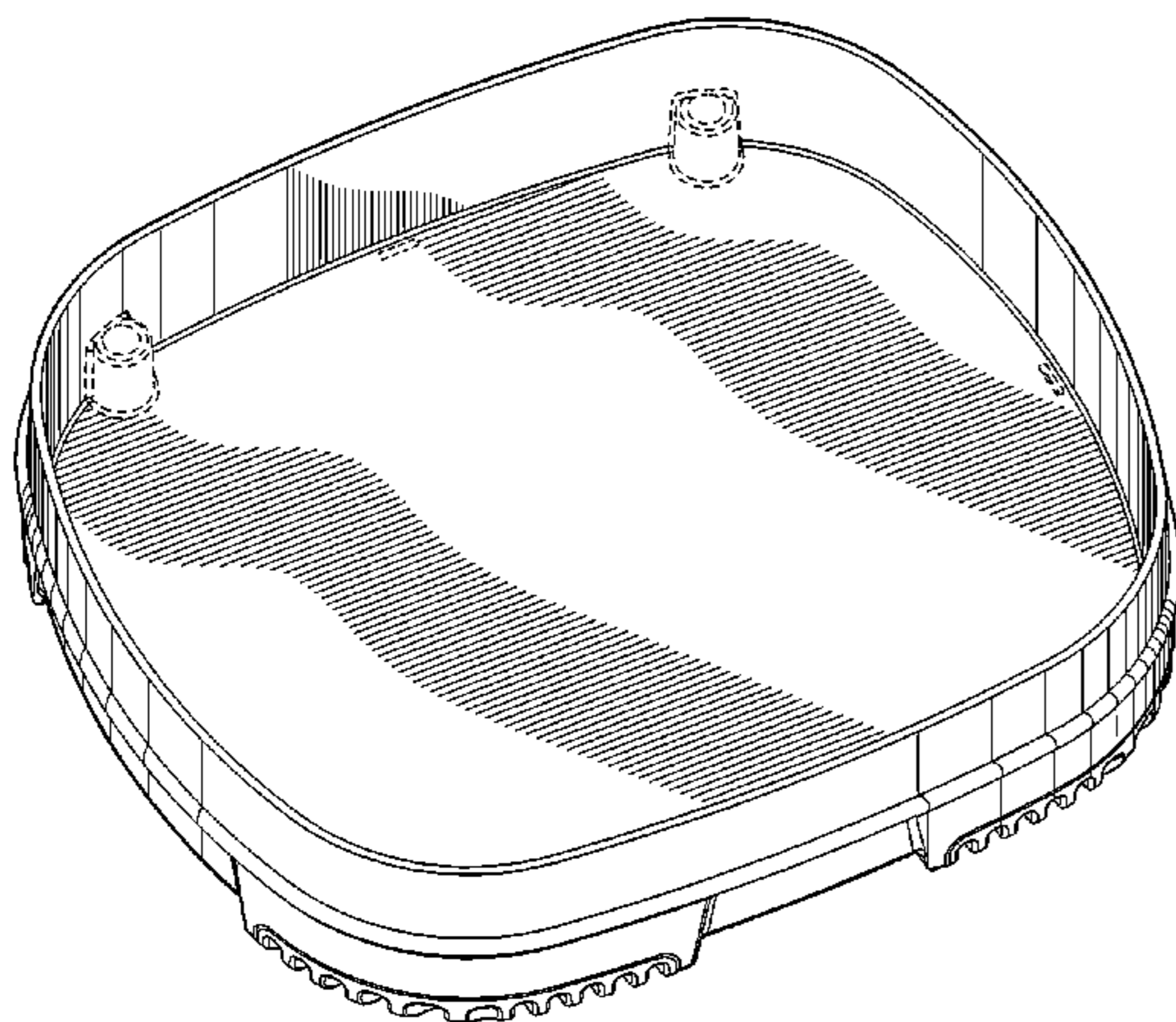
FIG. 6 is a bottom view of the golf bag bottom of FIG. 1;

FIG. 7 is a left view of the golf bag bottom of FIG. 1; and,

FIG. 8 is a right view of the golf bag bottom of FIG. 1.

The broken lines shown in one or more of the figures are for illustrative purposes only and form no part of the claimed design.

1 Claim, 6 Drawing Sheets



US D718,940 S

Page 2

(56)

References Cited

U.S. PATENT DOCUMENTS

8,123,032 B2 *	2/2012	Shiao	206/315.7	8,424,678 B2	4/2013	Anderson	
D675,432 S *	2/2013	Scaffidi	D3/255	2004/0200746 A1	10/2004	Kang	
D675,822 S *	2/2013	Scaffidi	D3/255	2005/0161351 A1	7/2005	Okuyama et al.	
				2009/0057178 A1	3/2009	Anderson	
				2009/0314671 A1 *	12/2009	Anderson et al.	206/315.3

* cited by examiner

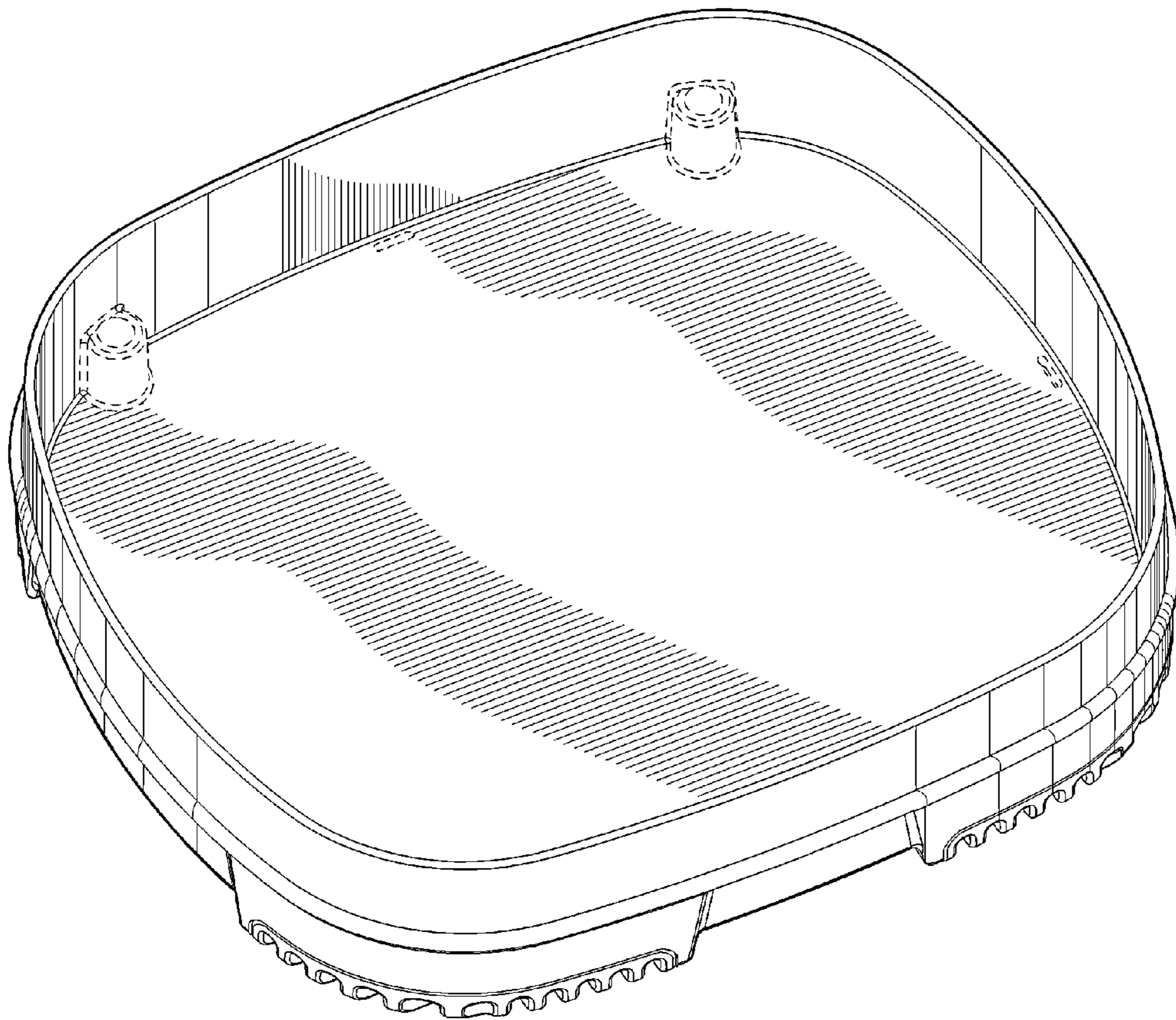


Fig. 1

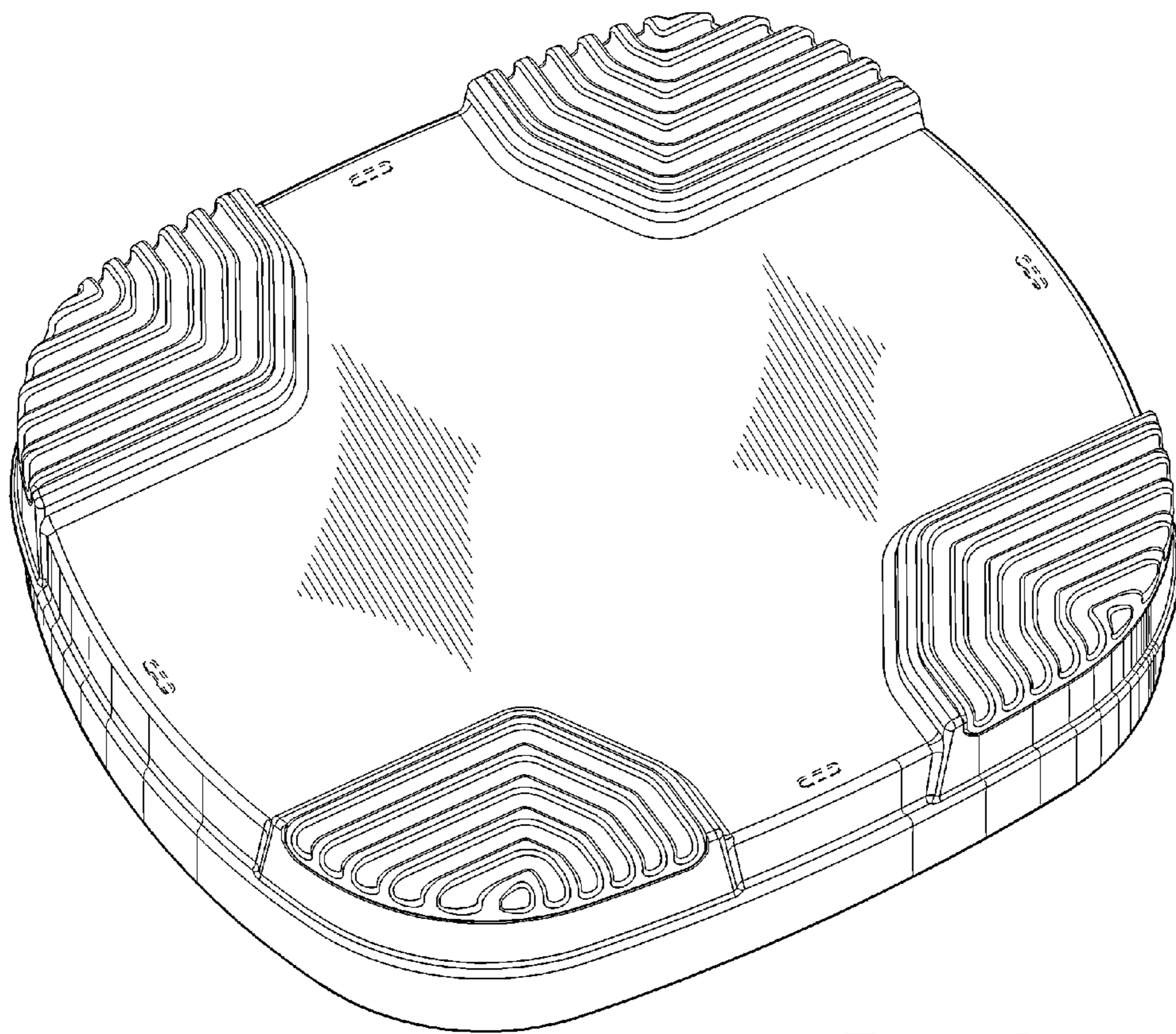


Fig. 2

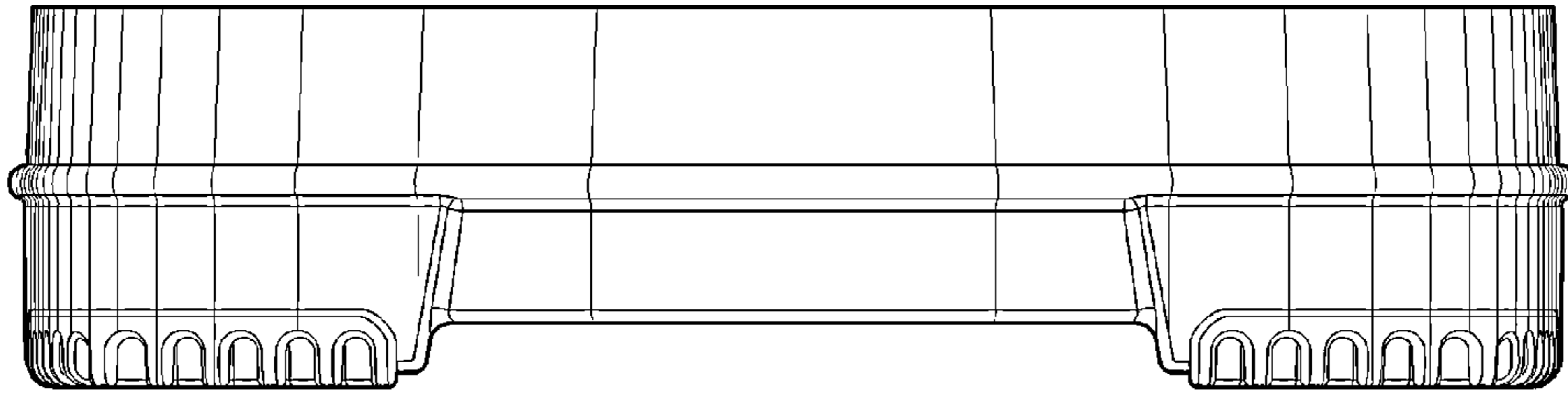


Fig. 3

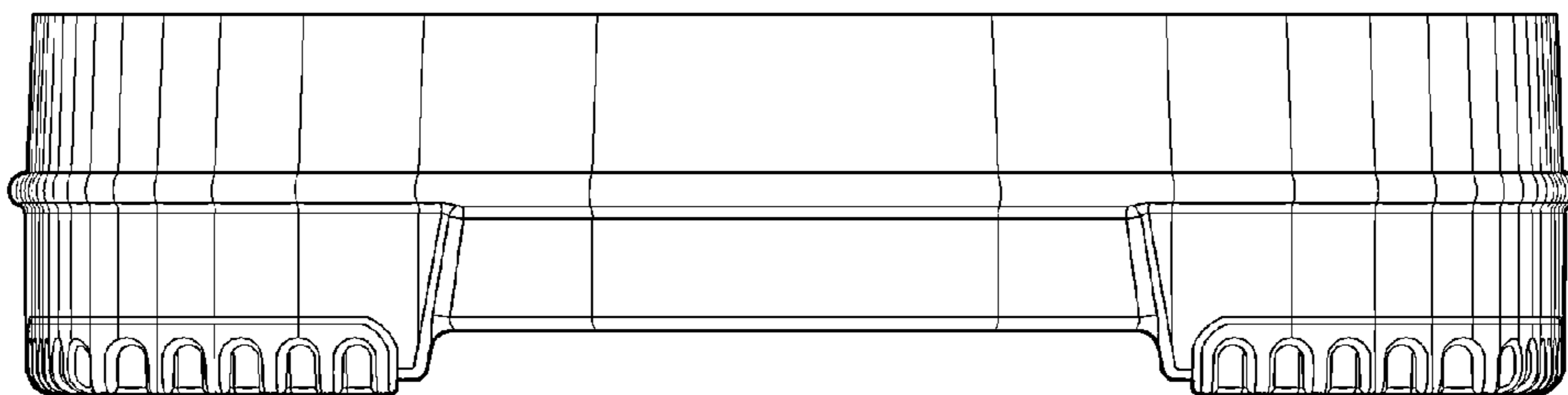


Fig. 4

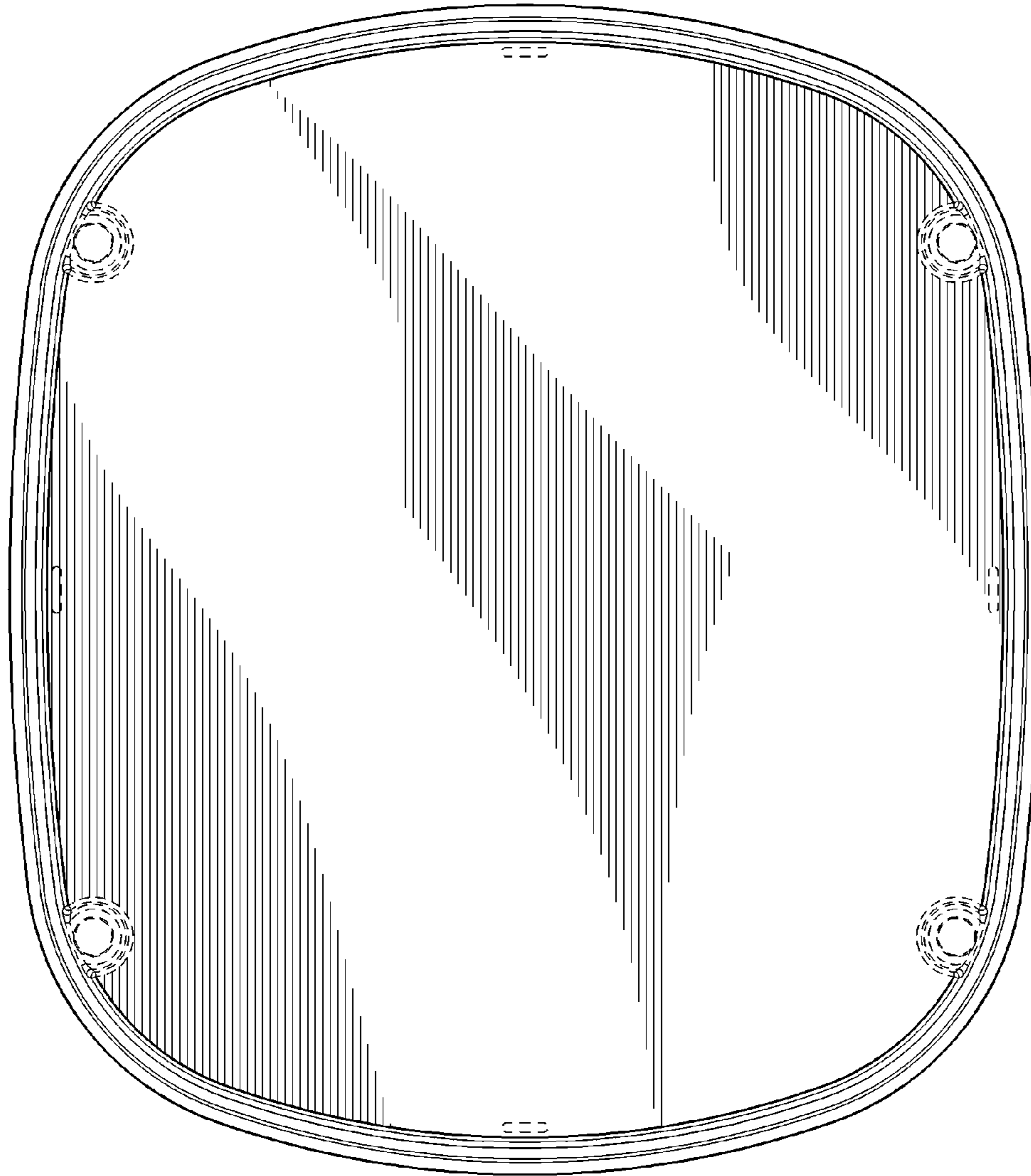


Fig. 5

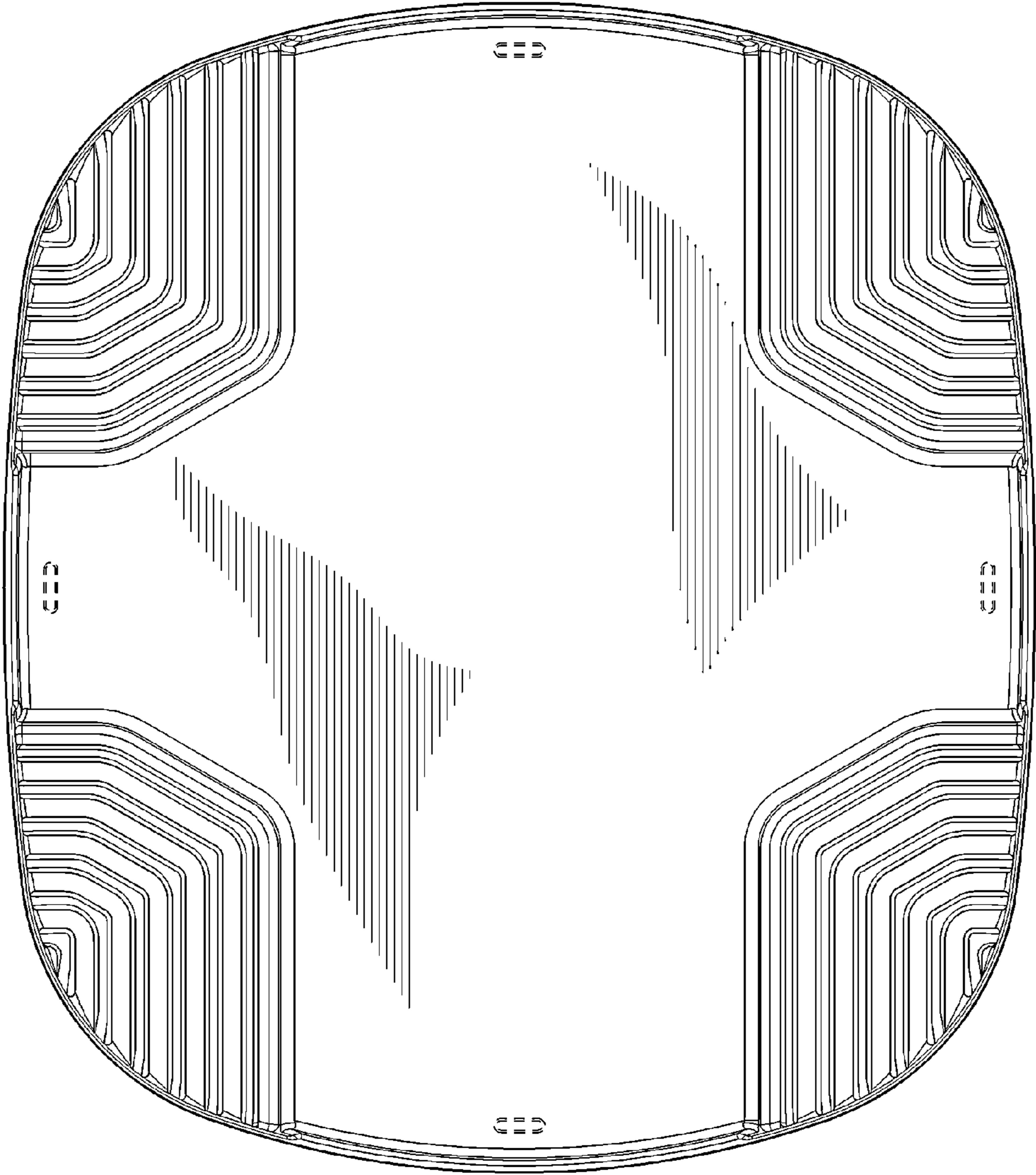


Fig. 6

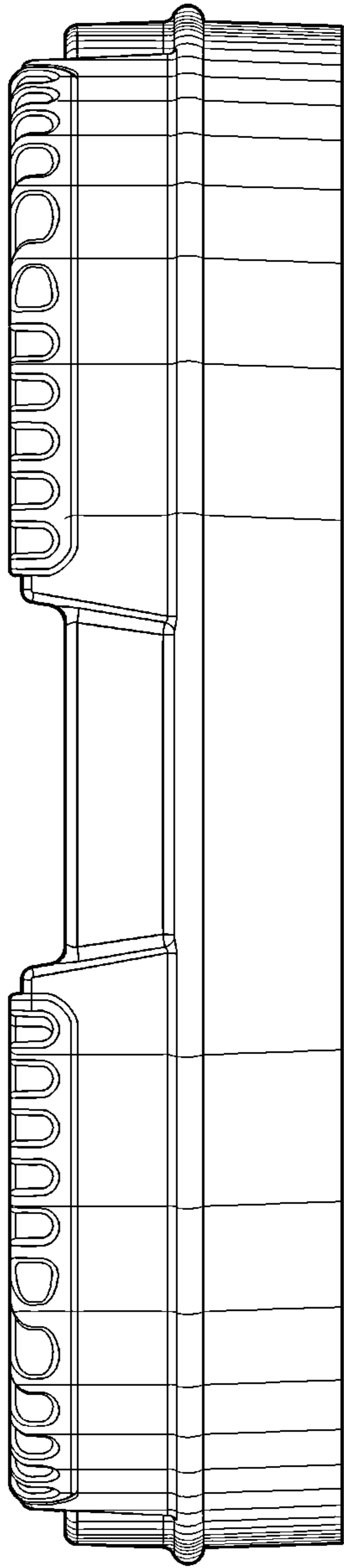


Fig. 7

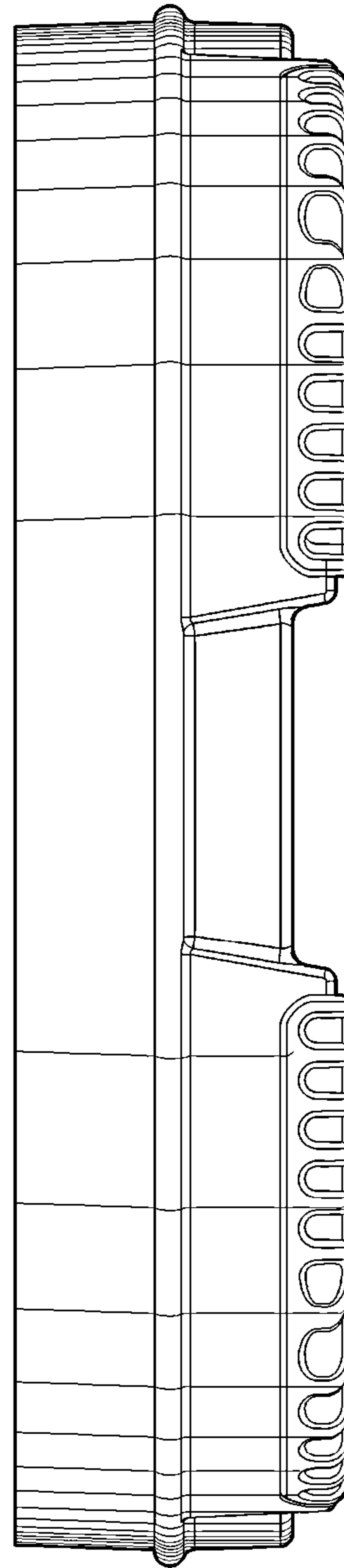


Fig. 8