



US00D718937S

(12) **United States Design Patent**
Nishimoto

(10) **Patent No.:** **US D718,937 S**
(45) **Date of Patent:** **** Dec. 9, 2014**

(54) **BAG WITH FACE DECORATION**

FOREIGN PATENT DOCUMENTS

(71) Applicant: **ACT Co. Ltd.**, Matsubara-shi (JP)

JP D1363083 S 6/2009

(72) Inventor: **Shinji Nishimoto**, Matsubara (JP)

JP D1395372 S 8/2010

(73) Assignee: **ACT Co. Ltd.**, Matsubara-Shi (JP)

JP D1395373 S 8/2010

(**) Term: **14 Years**

* cited by examiner

(21) Appl. No.: **29/459,724**

Primary Examiner — Holly Baynham

(22) Filed: **Jul. 2, 2013**

(74) *Attorney, Agent, or Firm* — Knobbe Martens Olson & Bear LLP

(30) **Foreign Application Priority Data**

(57) **CLAIM**

The ornamental design for a bag with a face decoration, as shown and described.

Feb. 26, 2013 (JP) 2013-004004

(51) **LOC (10) Cl.** **03-01**

(52) **U.S. Cl.**

USPC **D3/318**

(58) **Field of Classification Search**

CPC A45C 1/024; A45C 3/06

USPC D3/218, 231, 246; 150/100, 103-110,

150/113-114, 117-119

See application file for complete search history.

DESCRIPTION

FIG. 1 is front elevational view of a bag with a face decoration showing our new design.

FIG. 2 is a rear elevational view thereof.

FIG. 3 is a left side elevational view thereof.

FIG. 4 is a right side elevational view thereof.

FIG. 5 is a top plan view thereof.

FIG. 6 is a bottom plan view thereof; and,

FIG. 7 is a front elevational view thereof showing a tongue portion of the decoration withdrawn behind two zippers.

The dashed broken lines that appear in FIGS. 1 and 7 depict stitching lines which are part of the claimed design. The dotted broken lines in the figure drawing are included for the purpose of illustrating environment and form no part of the claimed design. The dot-dash broken lines that appear in FIGS. 1 and 7 form the boundary of the claimed design, which also forms no part of the claimed design.

(56) **References Cited**

U.S. PATENT DOCUMENTS

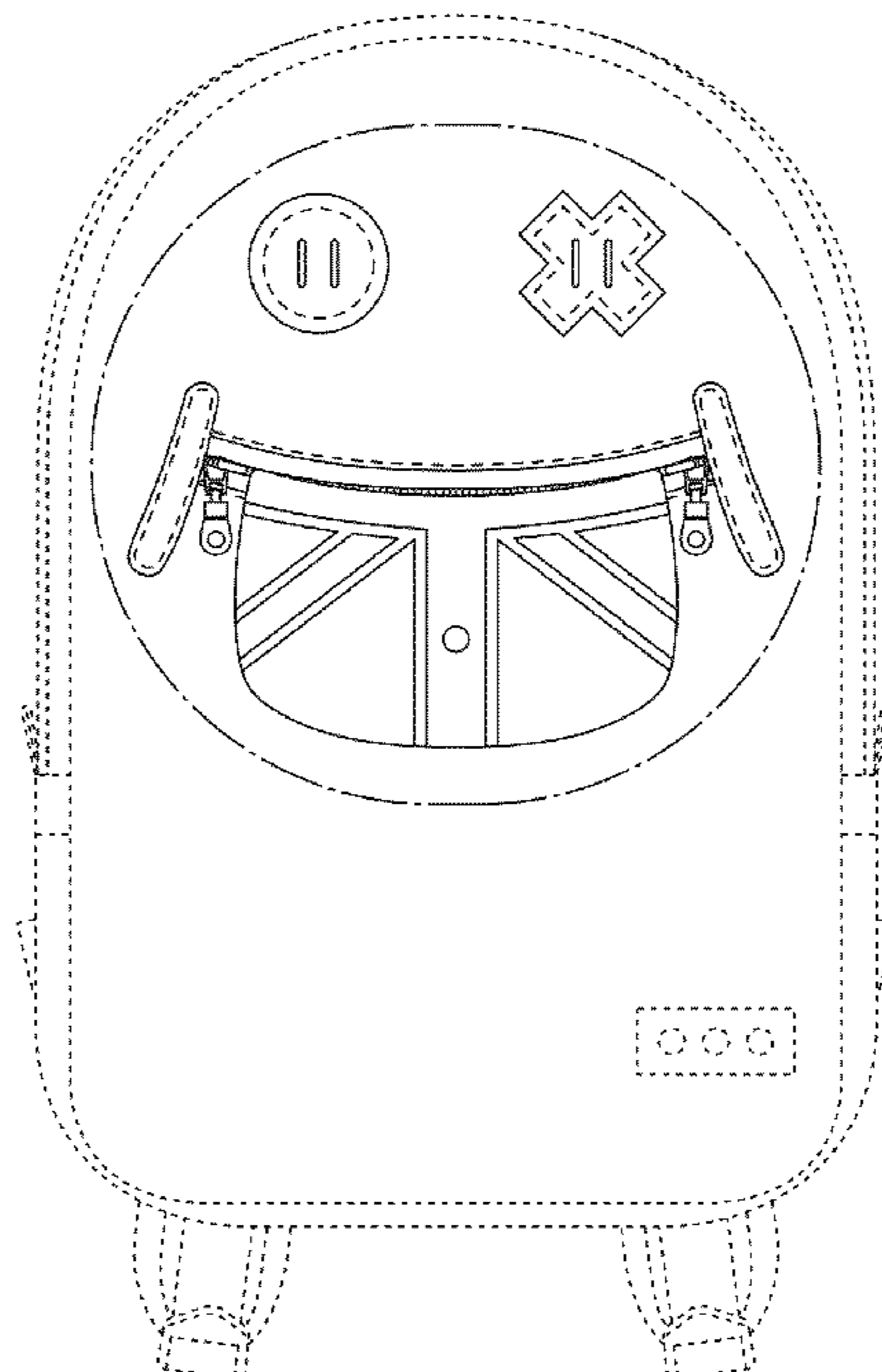
D423,216 S * 4/2000 Medeiros D3/303

D450,447 S * 11/2001 Willingham et al. D3/216

D486,959 S * 2/2004 Lama et al. D3/216

D631,248 S * 1/2011 Ricany D3/234

1 Claim, 7 Drawing Sheets



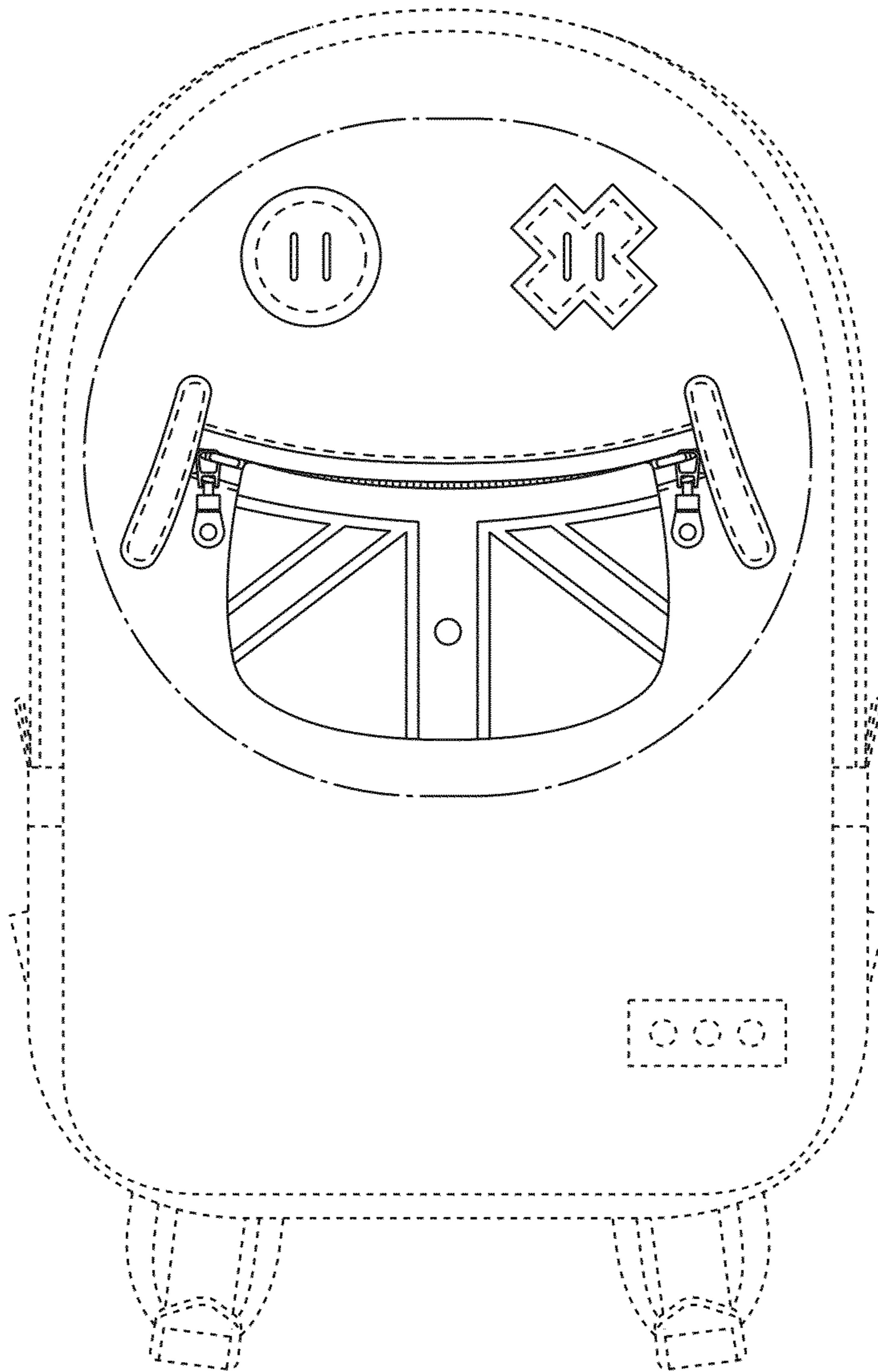


FIG. 1

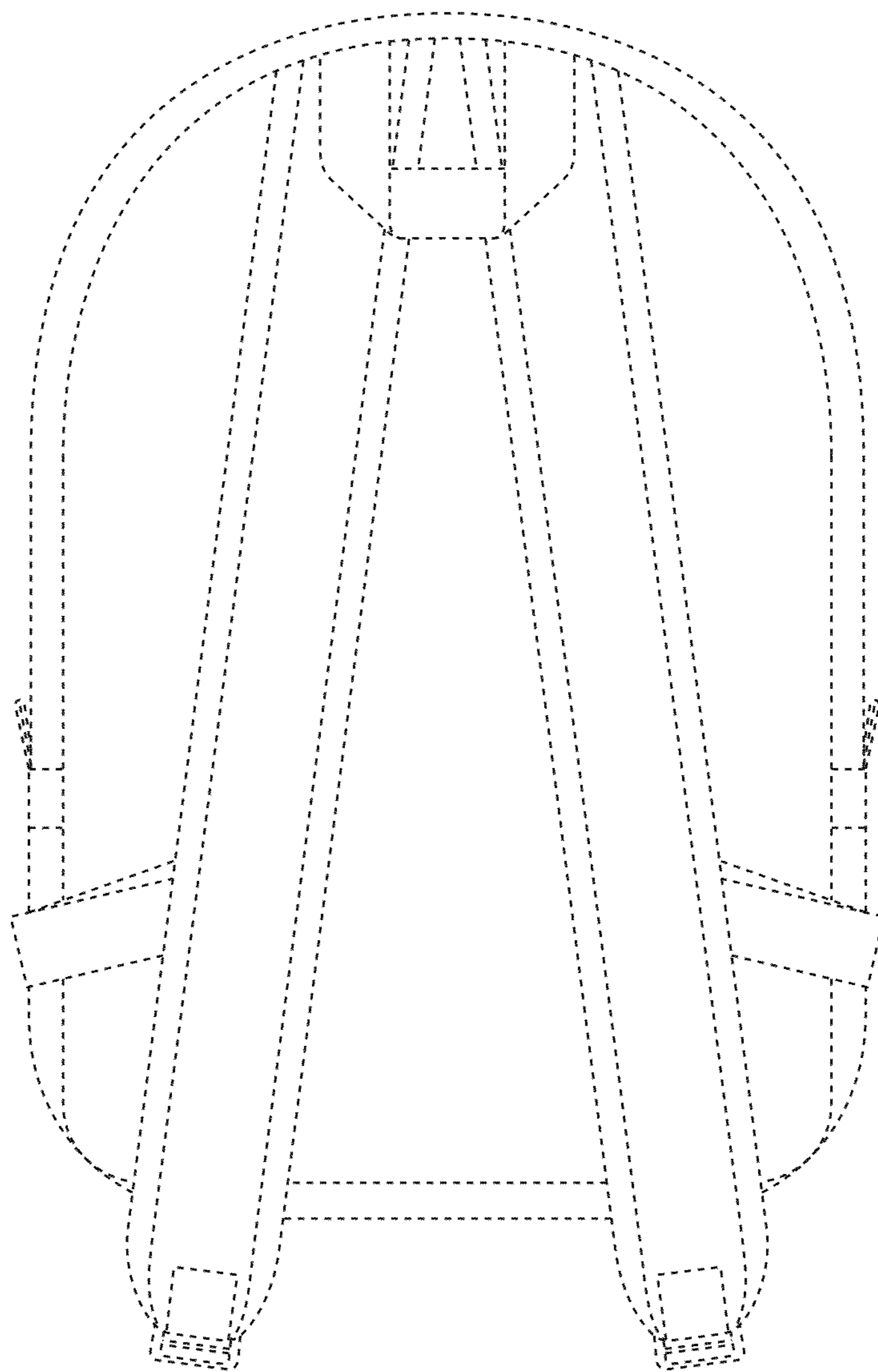


FIG. 2

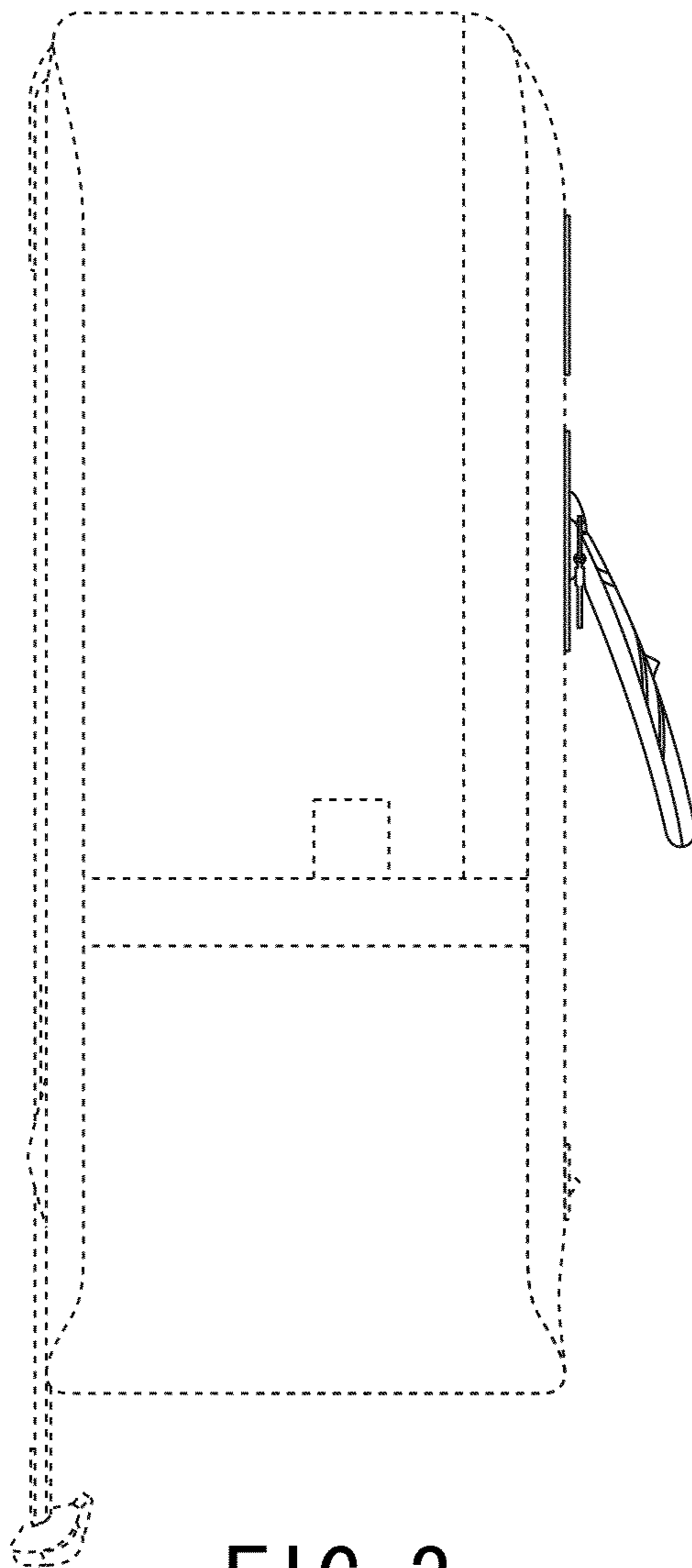


FIG. 3

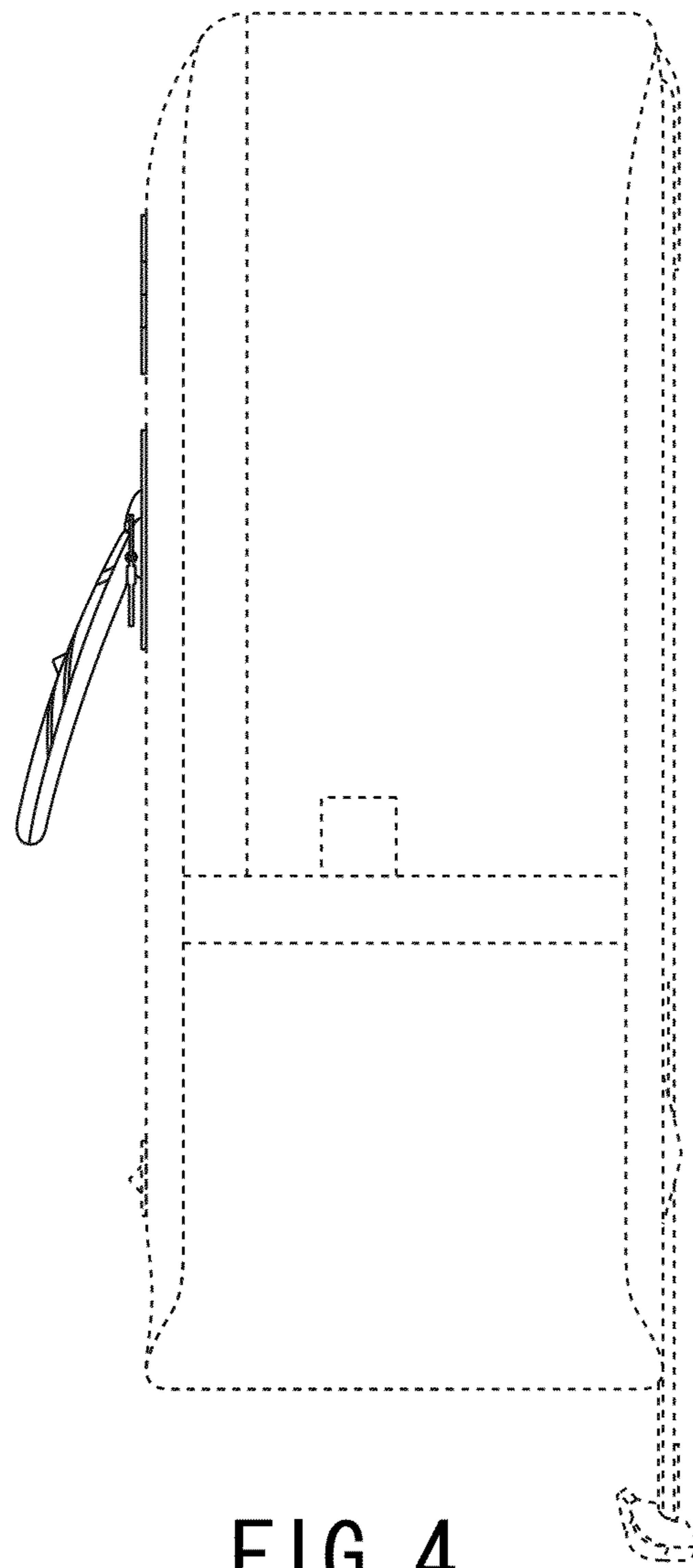


FIG. 4

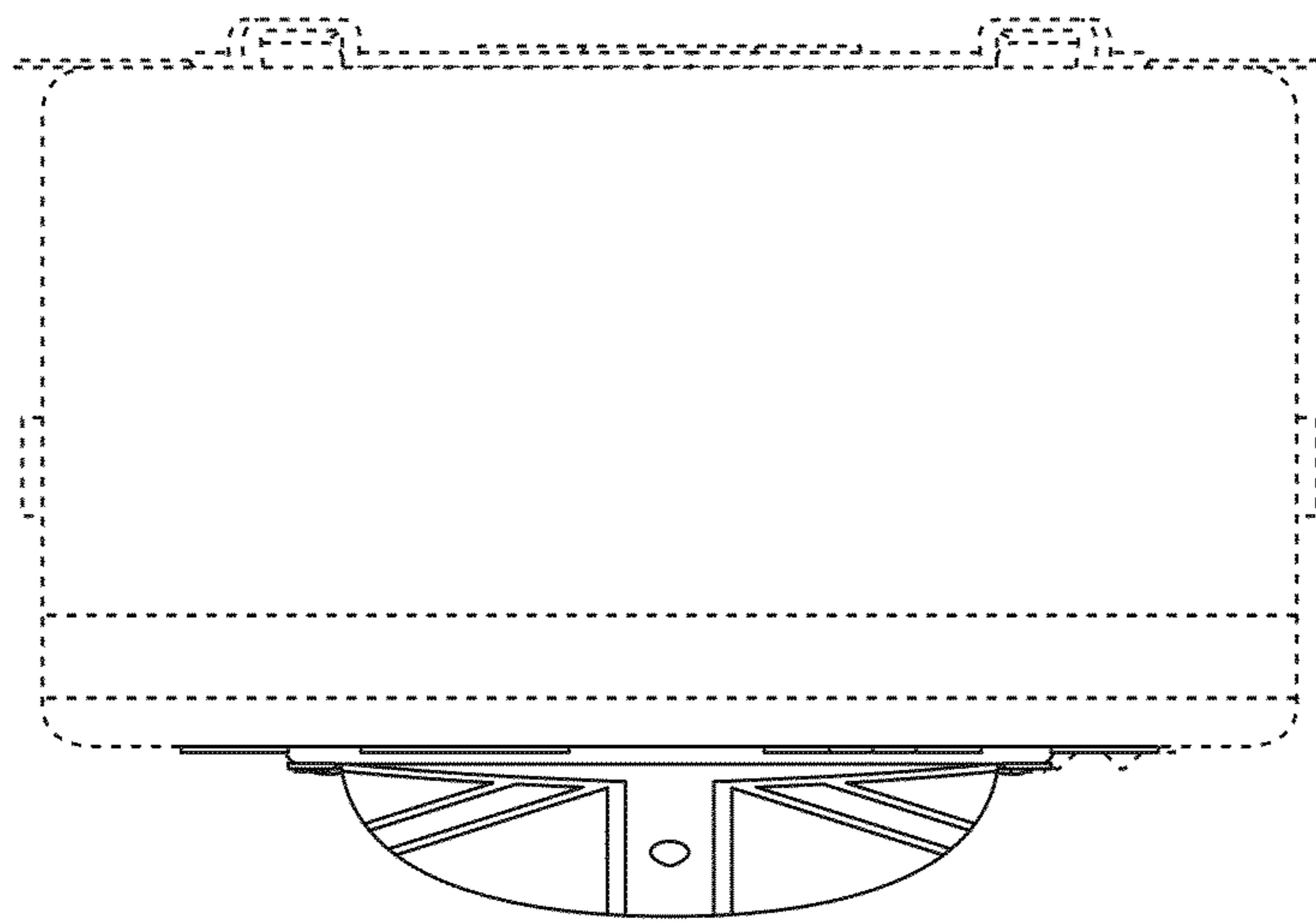


FIG. 5

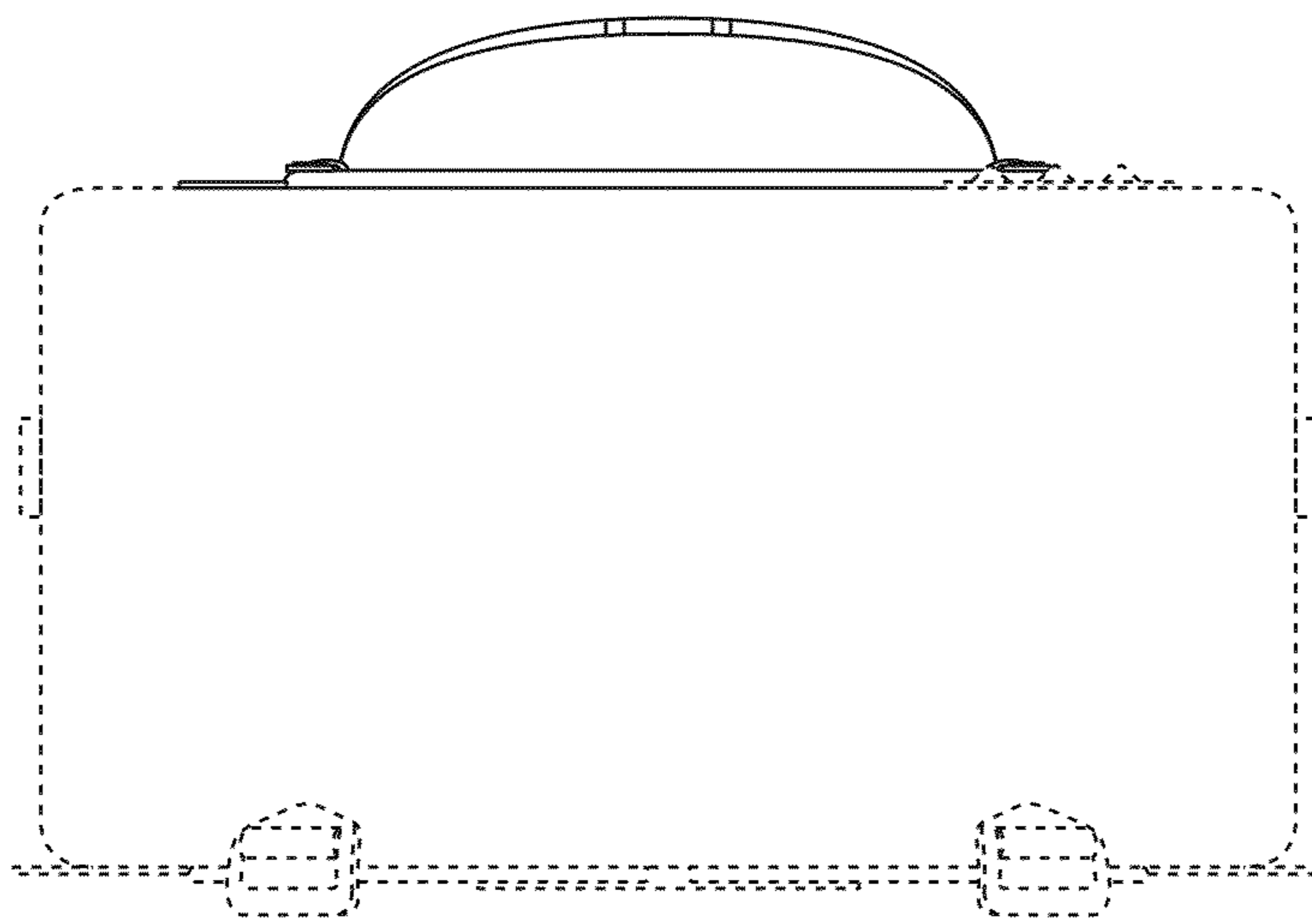


FIG. 6

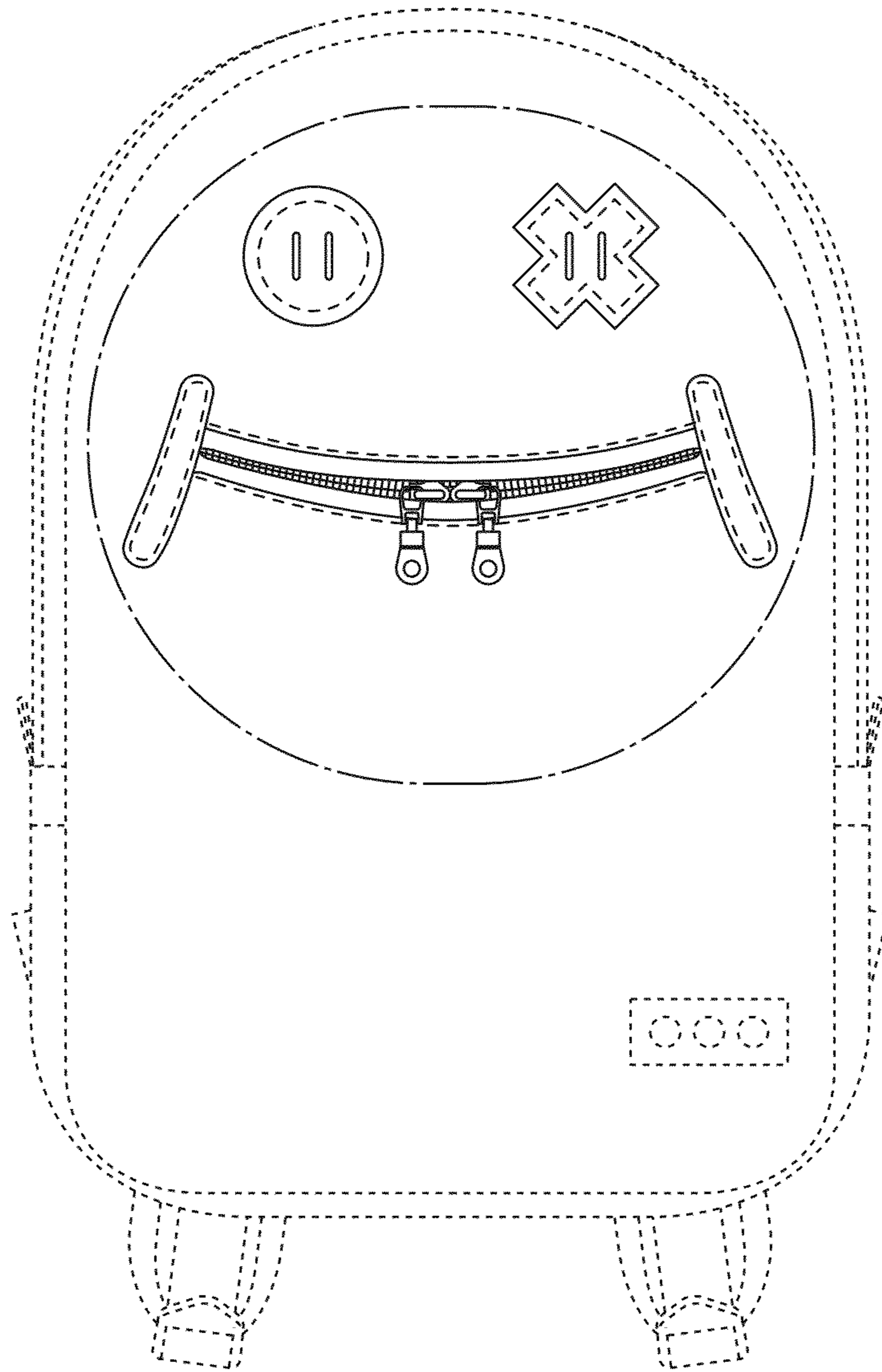


FIG. 7