



US00D718934S

(12) **United States Design Patent**
Lin

(10) **Patent No.:** **US D718,934 S**

(45) **Date of Patent:** **** Dec. 9, 2014**

(54) **CARRYING CASE**

(71) Applicant: **Republic Tobacco L.P.**, Glenview, IL
(US)

(72) Inventor: **Mei Lin**, Northbrook, IL (US)

(73) Assignee: **Republic Tobacco L.P.**, Glenview, IL
(US)

(**) Term: **14 Years**

(21) Appl. No.: **29/467,966**

(22) Filed: **Sep. 25, 2013**

(51) **LOC (10) Cl.** **03-01**

(52) **U.S. Cl.**
USPC **D3/281; D3/905; D3/291**

(58) **Field of Classification Search**
CPC . B25H 3/02-3/028; B25H 3/00; B25H 3/003;
B25H 3/006
USPC D3/276, 279, 281, 282, 283, 284, 291,
D3/294, 295, 297, 298, 901, 905, 288, 292,
D3/273, 302; 206/372-379, 1.7;
220/523-528, 324

See application file for complete search history.

(56) **References Cited**

U.S. PATENT DOCUMENTS

D249,590 S * 9/1978 Berkman D6/631
5,169,018 A * 12/1992 Fiore 220/318
D361,659 S * 8/1995 Kahl et al. D3/260

5,575,401 A * 11/1996 Trower et al. 220/522
D424,297 S * 5/2000 Story et al. D3/281
D462,168 S * 9/2002 Klemmensen et al. D3/279
D525,789 S * 8/2006 Hosking D3/281
8,453,796 B2 * 6/2013 Astor et al. 182/129
D700,777 S * 3/2014 Shitrit et al. D3/281
D701,697 S * 4/2014 Sabbag et al. D3/281
D703,436 S * 4/2014 Sabbag et al. D3/281
D710,102 S * 8/2014 Horovitz D3/281
2011/0181008 A1 * 7/2011 Bensman et al. 280/47.26

* cited by examiner

Primary Examiner — Jennifer Rivard

Assistant Examiner — April Rivas

(74) *Attorney, Agent, or Firm* — Drinker Biddle & Reath
LLP

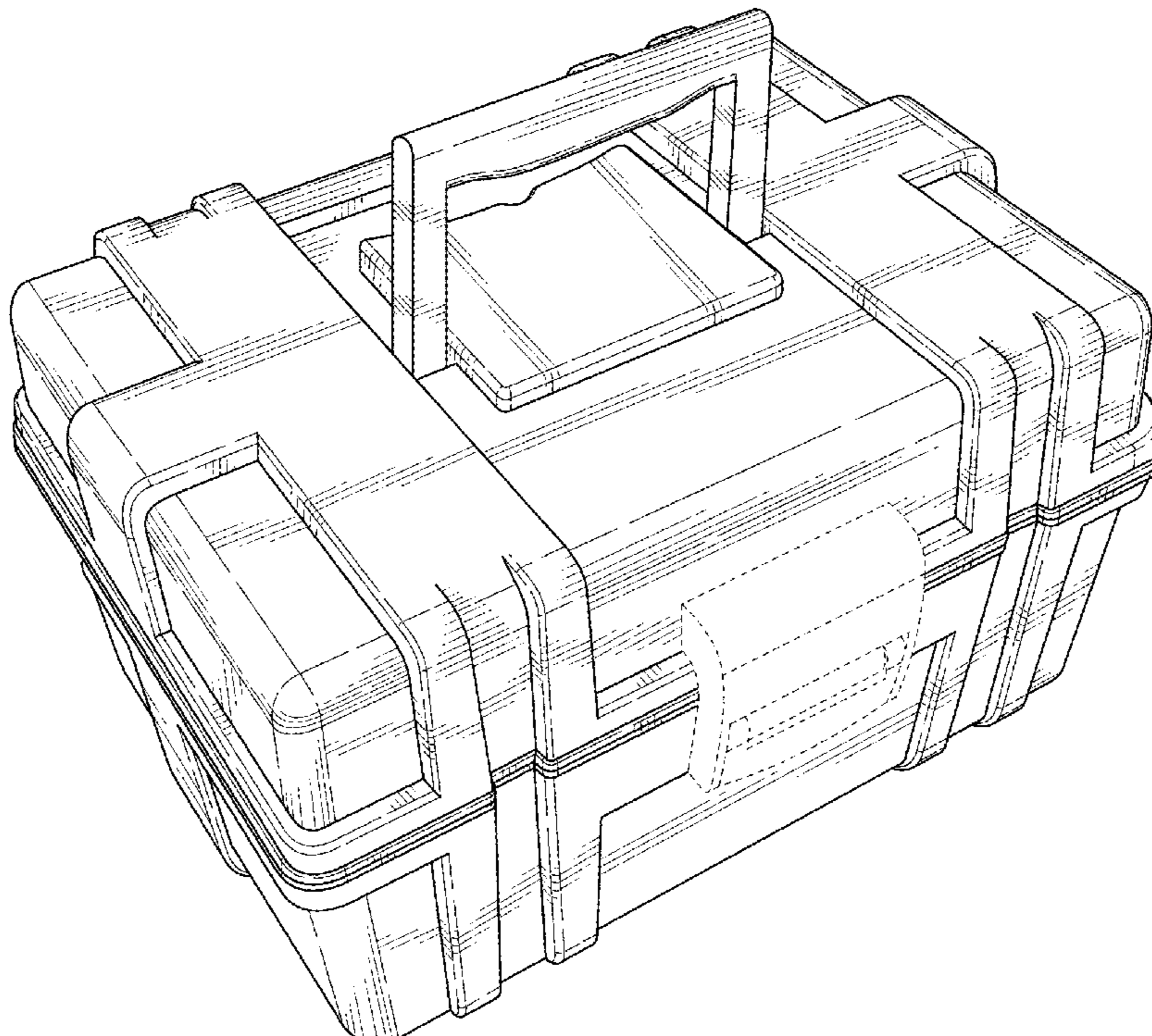
(57) **CLAIM**

The ornamental design for a carrying case, as shown and described.

DESCRIPTION

FIG. 1 is a front perspective view of a carrying case;
FIG. 2 is a front elevation view of the carrying case of FIG. 1;
FIG. 3 is a rear elevation view of the carrying case of FIG. 1;
FIG. 4 is a left side elevation view of the carrying case of FIG. 1;
FIG. 5 is a right side elevation view of the carrying case of FIG. 1;
FIG. 6 is a top plan view of the carrying case of FIG. 1; and,
FIG. 7 is a bottom plan view of the carrying case of FIG. 1.
The broken lines illustrate portions of the carrying case and form no part of the claimed design.

1 Claim, 7 Drawing Sheets



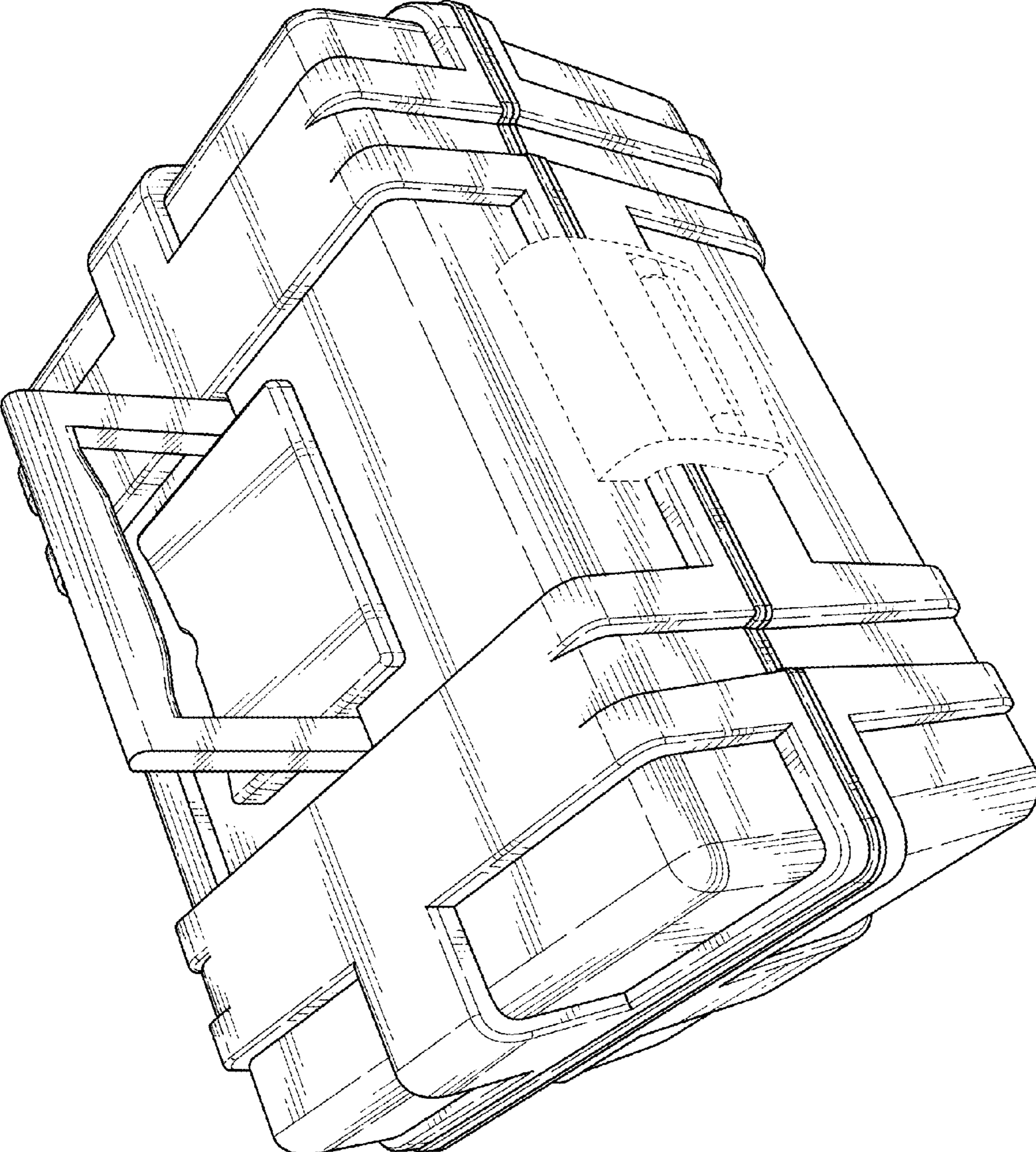


FIG. 1

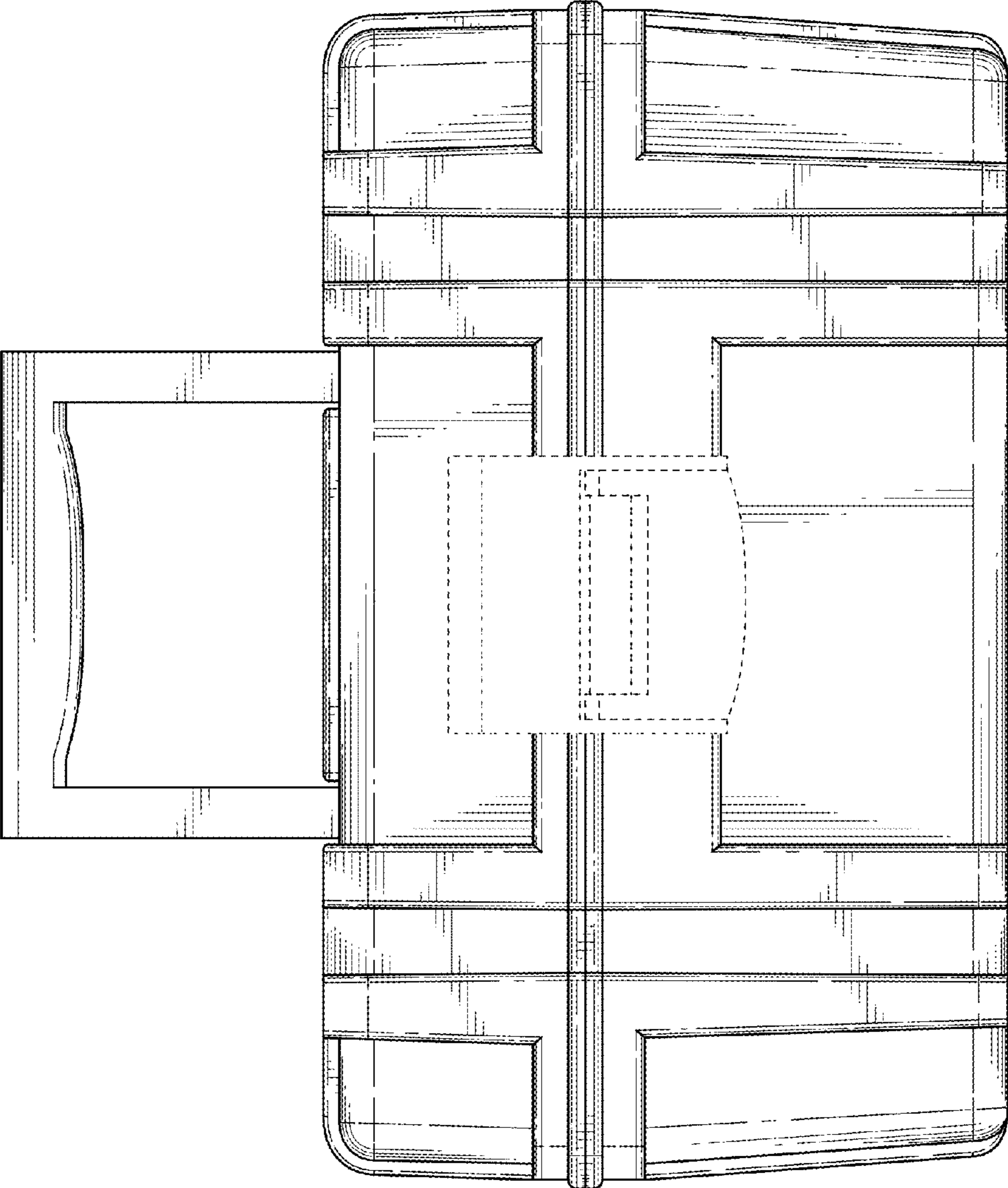


FIG. 2

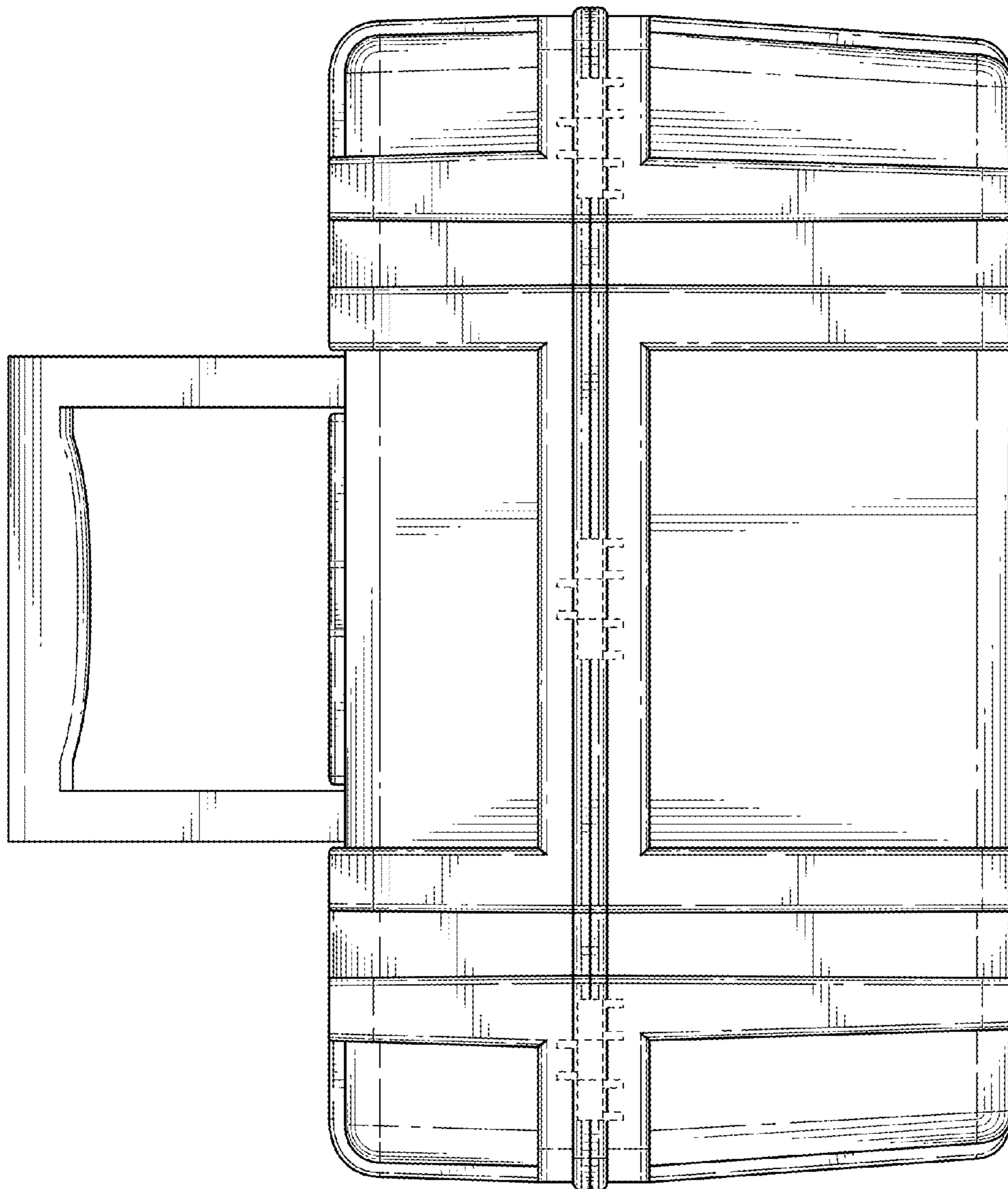


FIG. 3

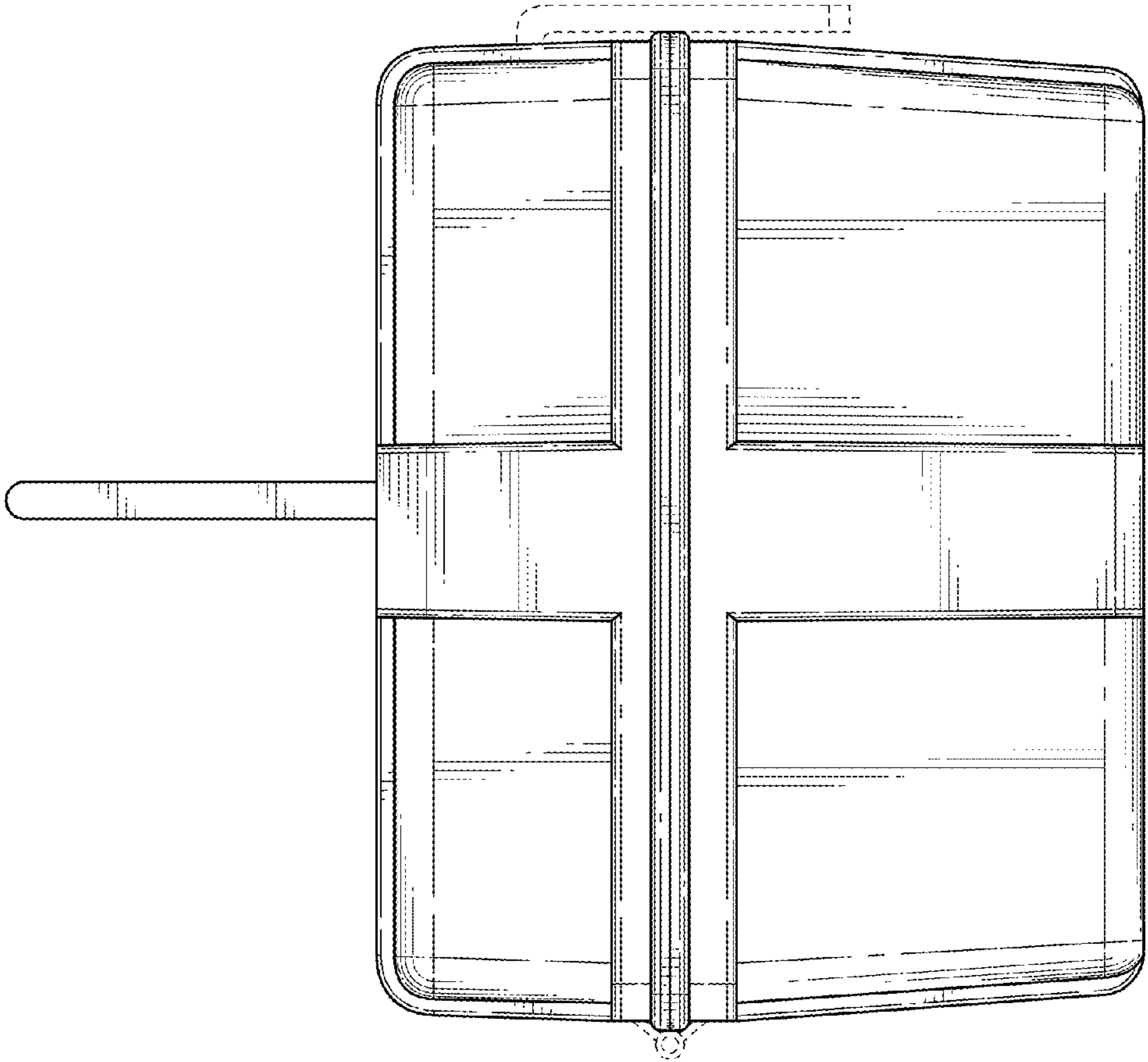


FIG. 4

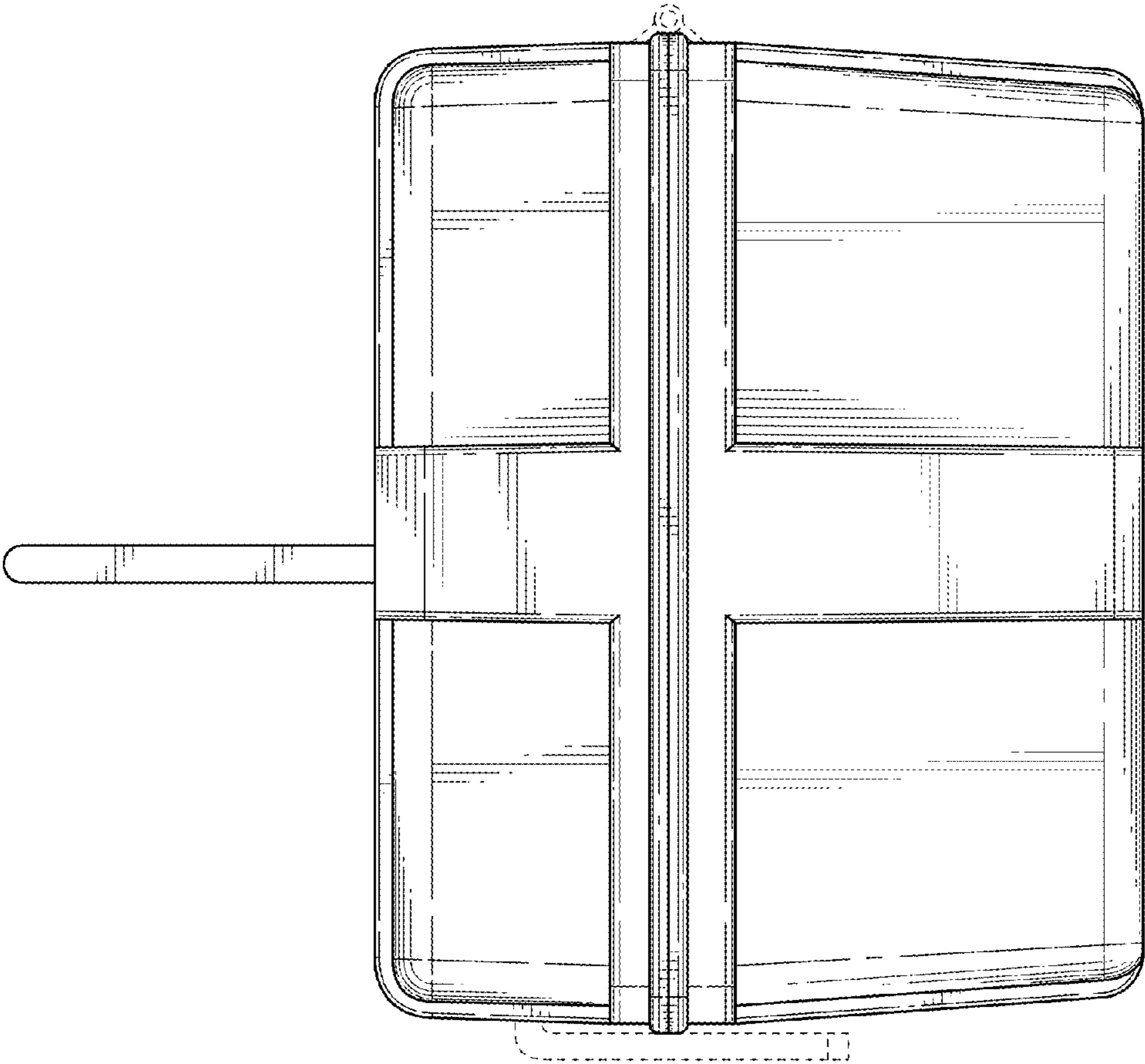


FIG. 5

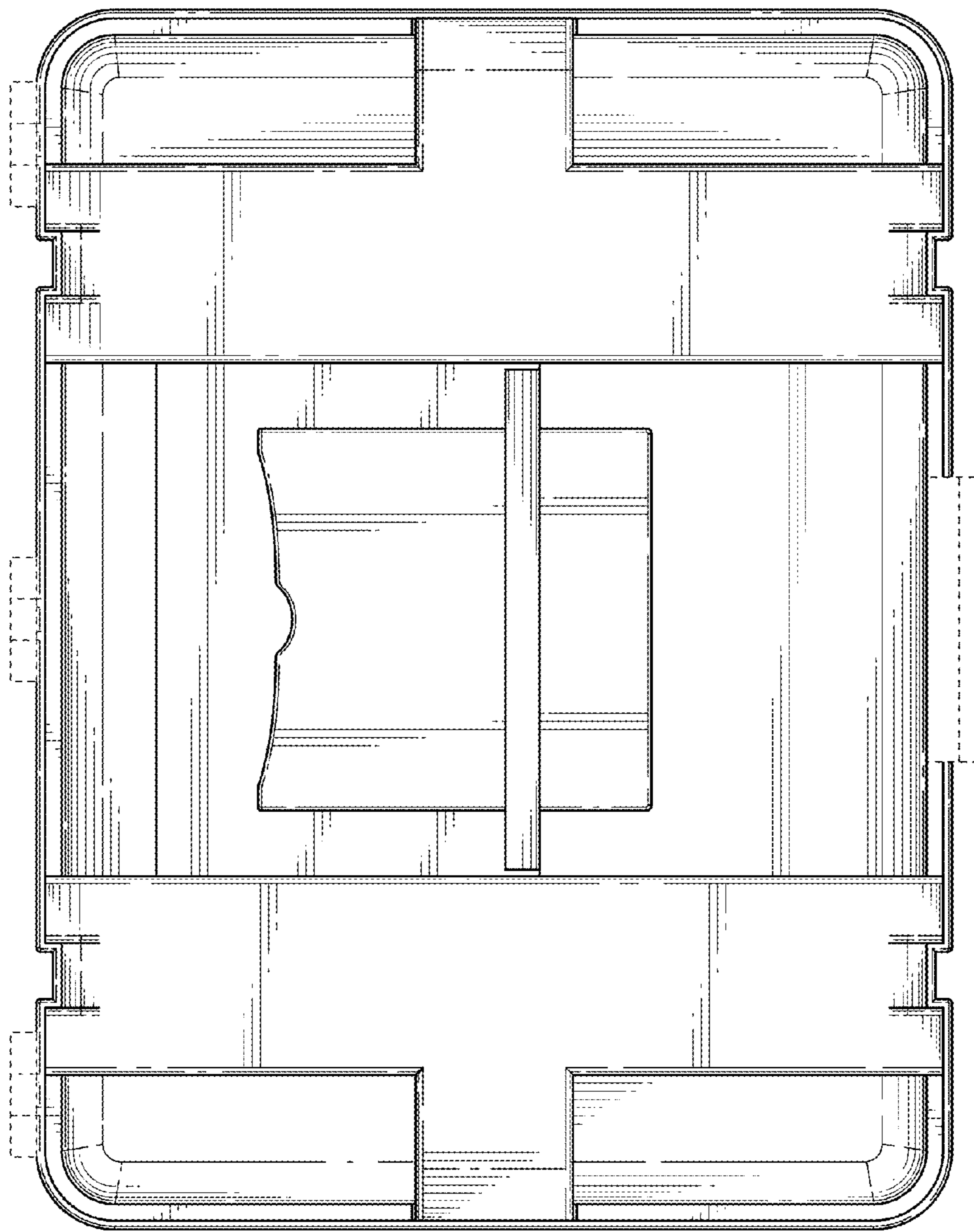


FIG. 6

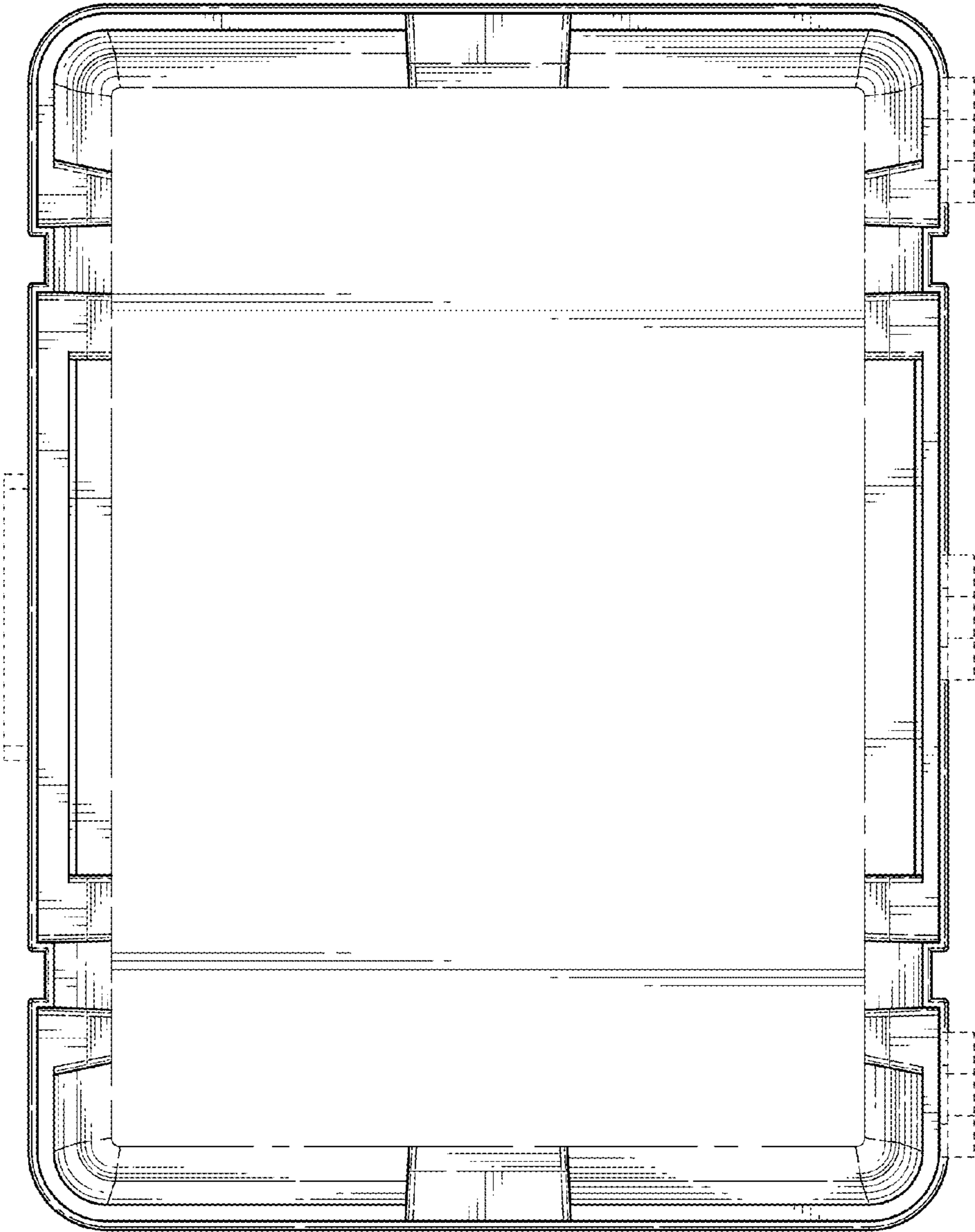


FIG. 7