



US00D718932S

(12) **United States Design Patent**  
**Gross et al.**

(10) **Patent No.:** **US D718,932 S**  
(45) **Date of Patent:** **\*\* Dec. 9, 2014**

- (54) **TRANSACTION CARD SLEEVE**
- (71) Applicants: **JoAnn Gross**, Parkland, FL (US); **Beni Gross**, Parkland, FL (US)
- (72) Inventors: **JoAnn Gross**, Parkland, FL (US); **Beni Gross**, Parkland, FL (US)
- (\*\*) Term: **14 Years**
- (21) Appl. No.: **29/491,261**
- (22) Filed: **May 19, 2014**
- (51) **LOC (10) Cl.** ..... **03-01**
- (52) **U.S. Cl.**  
USPC ..... **D3/247**
- (58) **Field of Classification Search**  
USPC ..... D3/247, 249–253; 150/130–132,  
150/136–137, 146–147  
See application file for complete search history.

(56) **References Cited**

U.S. PATENT DOCUMENTS

493,473 A *	3/1893	Borgstrom	206/39
2,090,856 A *	8/1937	Umansky	40/654

(Continued)

*Primary Examiner* — Holly Baynham

(74) *Attorney, Agent, or Firm* — Nancy J. Flint, Esq.; Nancy J. Flint, Attorney At Law, P.A.

(57) **CLAIM**

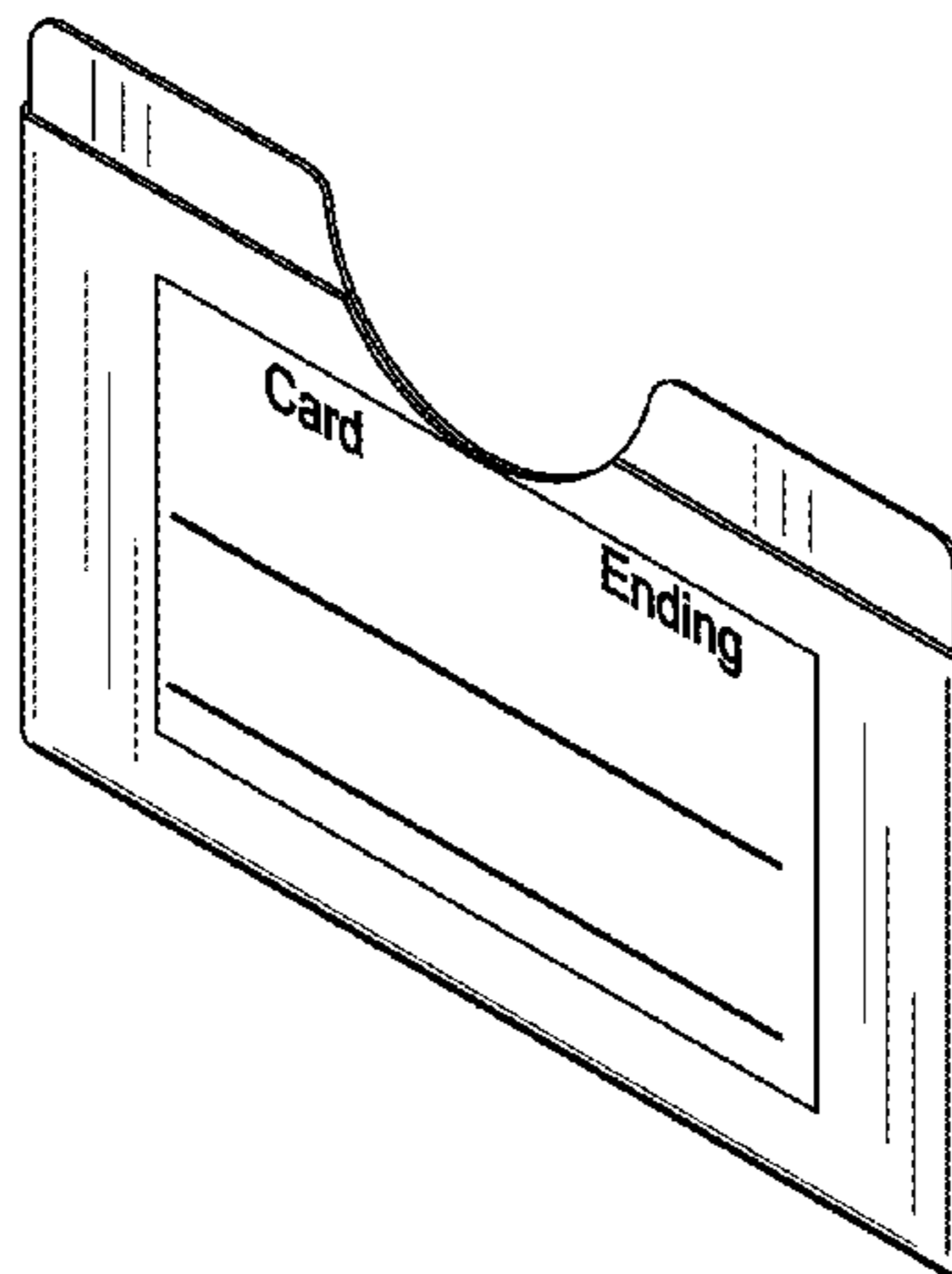
The ornamental design for a transaction card sleeve, as shown and described.

**DESCRIPTION**

FIG. 1 is a perspective view of a first embodiment of a transaction card sleeve showing our new design;  
 FIG. 2 is a top view of a first embodiment of a transaction card sleeve;  
 FIG. 3 is a front view of a first embodiment of a transaction card sleeve;  
 FIG. 4 is a back view of a first embodiment of a transaction card sleeve;

FIG. 5 is a bottom view of a first embodiment of a transaction card sleeve;  
 FIG. 6 is a left side view of a first embodiment of a transaction card sleeve;  
 FIG. 7 is a perspective view of a second embodiment of a transaction card sleeve showing our new design;  
 FIG. 8 is a top view of a second embodiment of a transaction card sleeve;  
 FIG. 9 is a front view of a second embodiment of a transaction card sleeve;  
 FIG. 10 is a back view of a second embodiment of a transaction card sleeve;  
 FIG. 11 is a bottom view of a second embodiment of a transaction card sleeve;  
 FIG. 12 is a left side view of a second embodiment of a transaction card sleeve;  
 FIG. 13 is a perspective view of a third embodiment of a transaction card sleeve showing our new design;  
 FIG. 14 is a top view of a third embodiment of a transaction card sleeve;  
 FIG. 15 is a front view of a third embodiment of a transaction card sleeve;  
 FIG. 16 is a back view of a third embodiment of a transaction card sleeve;  
 FIG. 17 is a bottom view of a third embodiment of a transaction card sleeve;  
 FIG. 18 is a left side view of a third embodiment of a transaction card sleeve;  
 FIG. 19 is a perspective view of a fourth embodiment of a transaction card sleeve showing our new design;  
 FIG. 20 is a top view of a fourth embodiment of a transaction card sleeve;  
 FIG. 21 is a front view of a fourth embodiment of a transaction card sleeve;  
 FIG. 22 is a back view of a fourth embodiment of a transaction card sleeve;  
 FIG. 23 is a bottom view of a fourth embodiment of a transaction card sleeve; and,  
 FIG. 24 is a left side view of a fourth embodiment of a transaction card sleeve.  
 Right side views not shown are mirror images of left side views. Any broken lines illustrative of environmental structure in the drawings are not part of the design sought to be patented.

**1 Claim, 4 Drawing Sheets**



# US D718,932 S

Page 2

---

(56)

## References Cited

6,782,998 B2 \* 8/2004 Koren ..... 206/39  
6,845,863 B1 \* 1/2005 Riley ..... 206/39

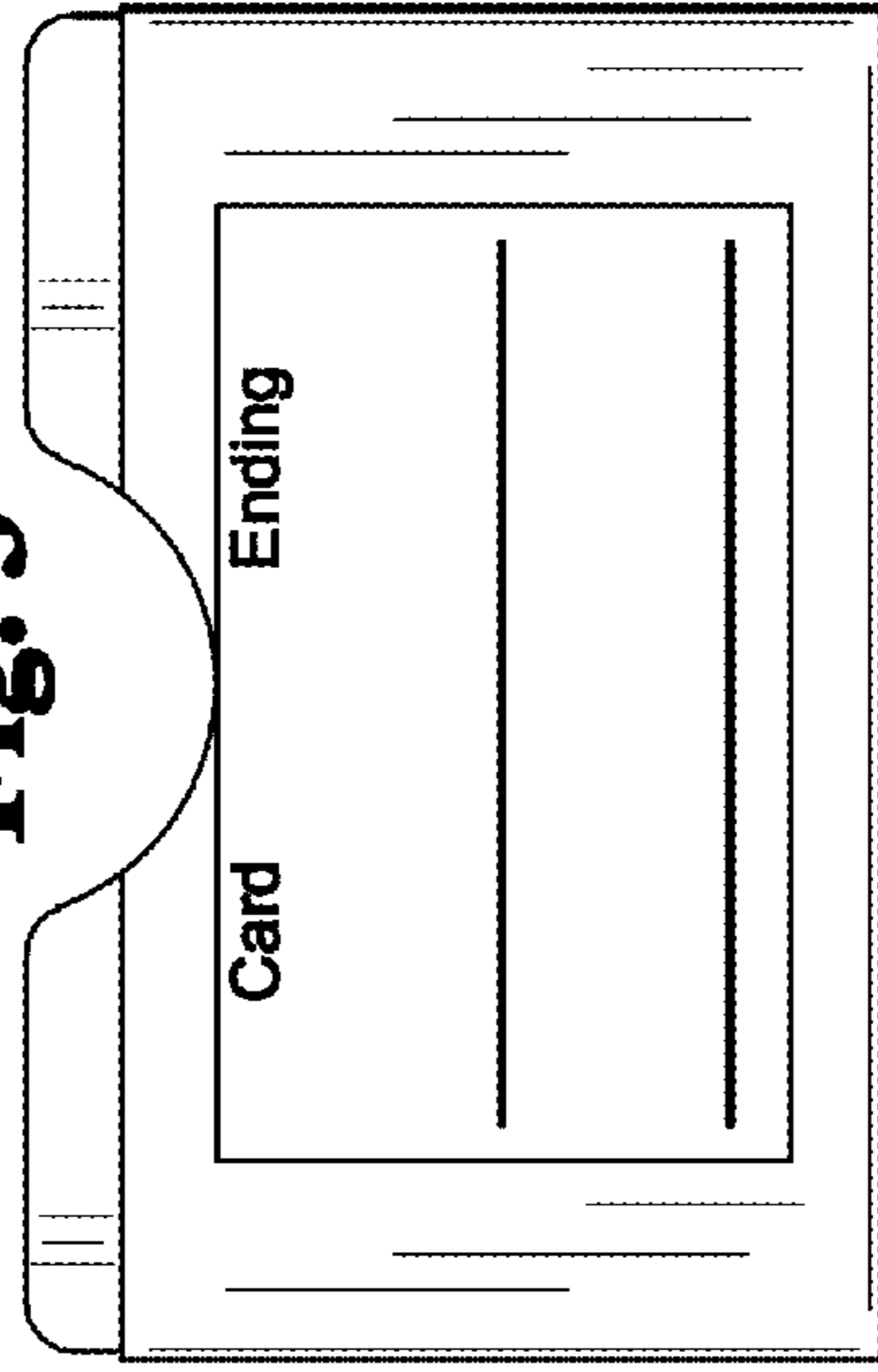
## U.S. PATENT DOCUMENTS

6,050,605 A \* 4/2000 Mikelionis et al. .... 283/76 \* cited by examiner

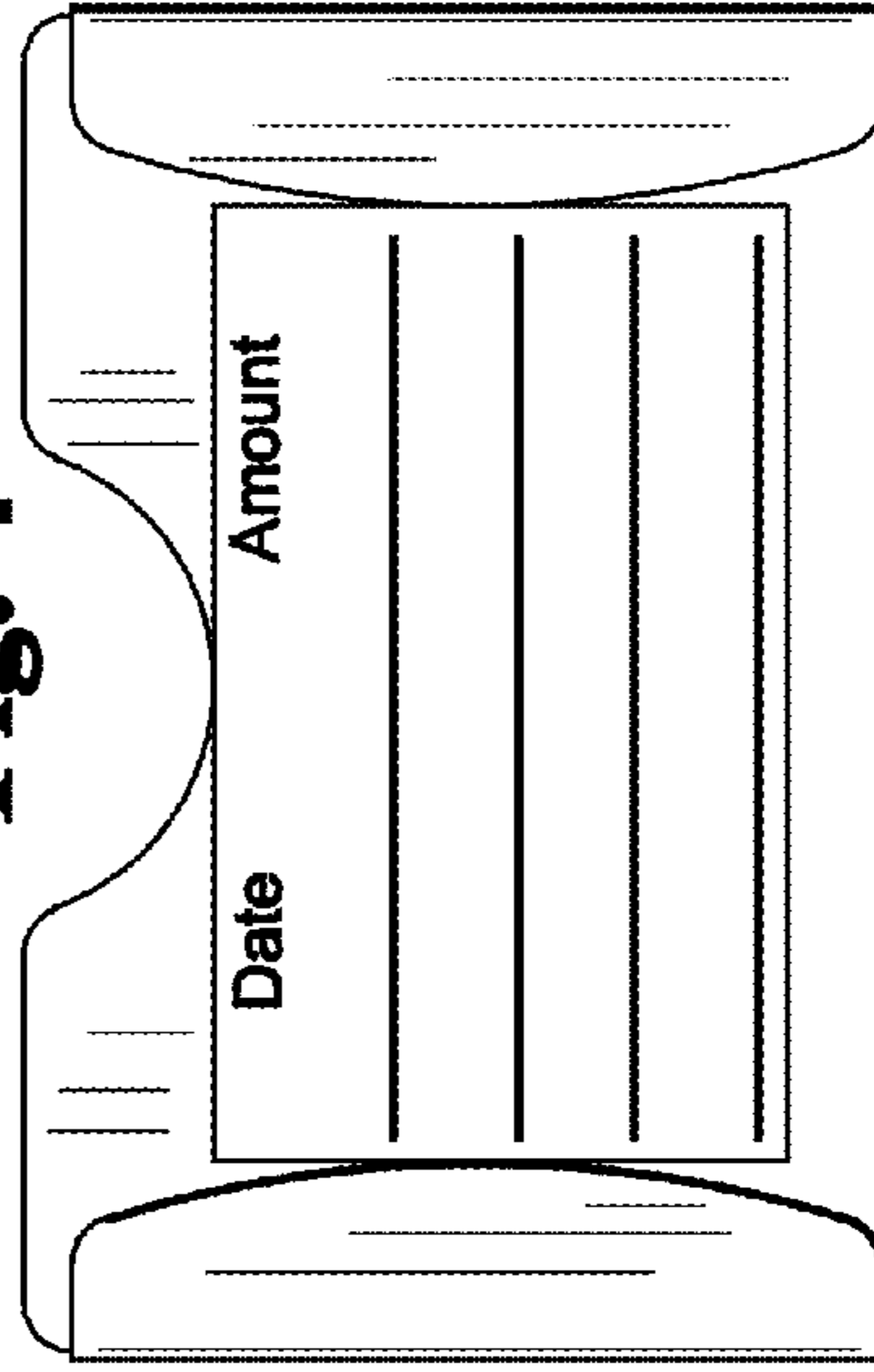
**Fig. 2**



**Fig. 3**

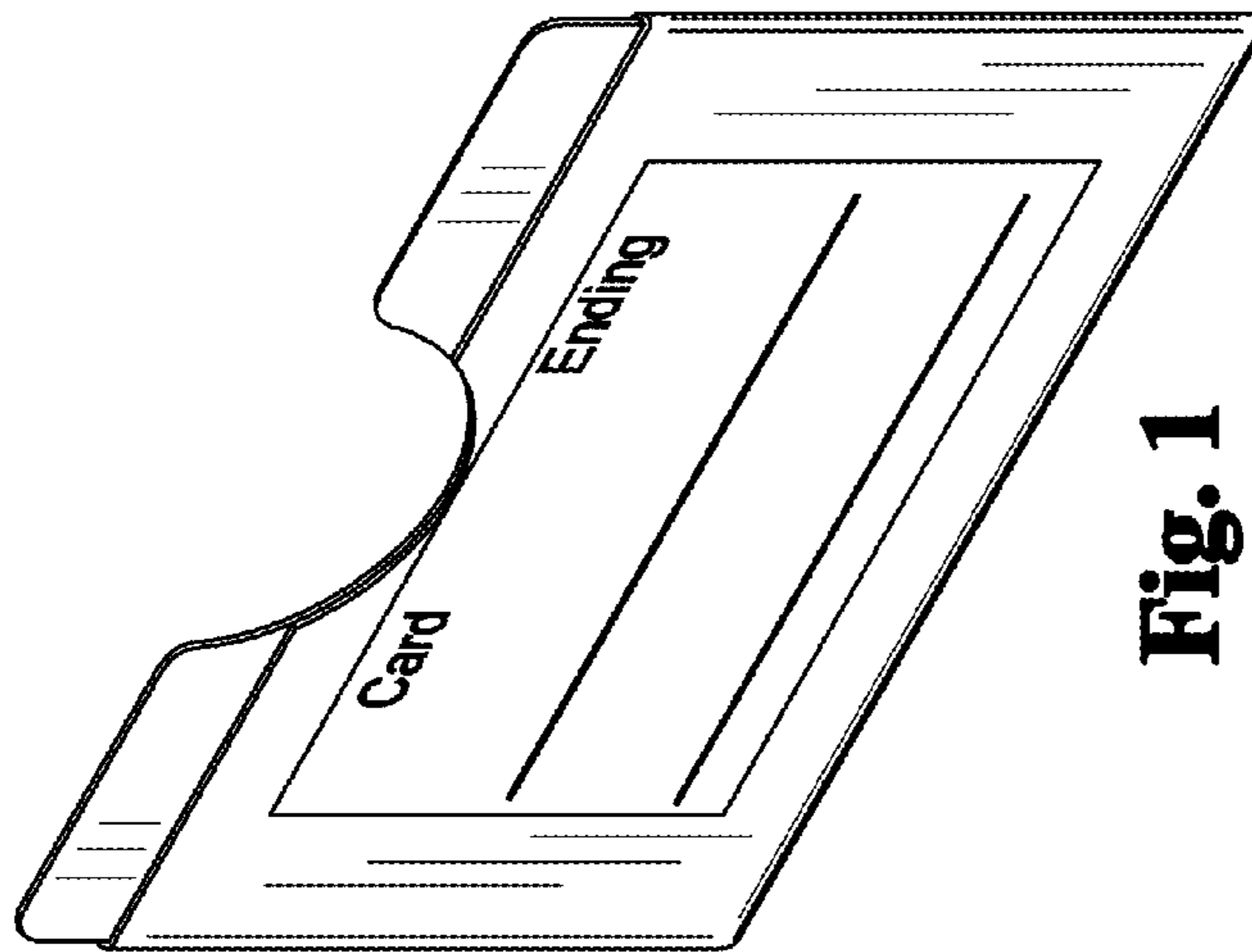
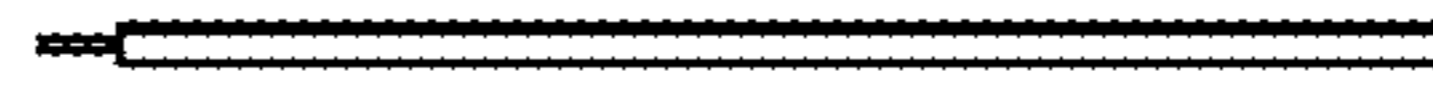


**Fig. 4**



**Fig. 5**

**Fig. 6**

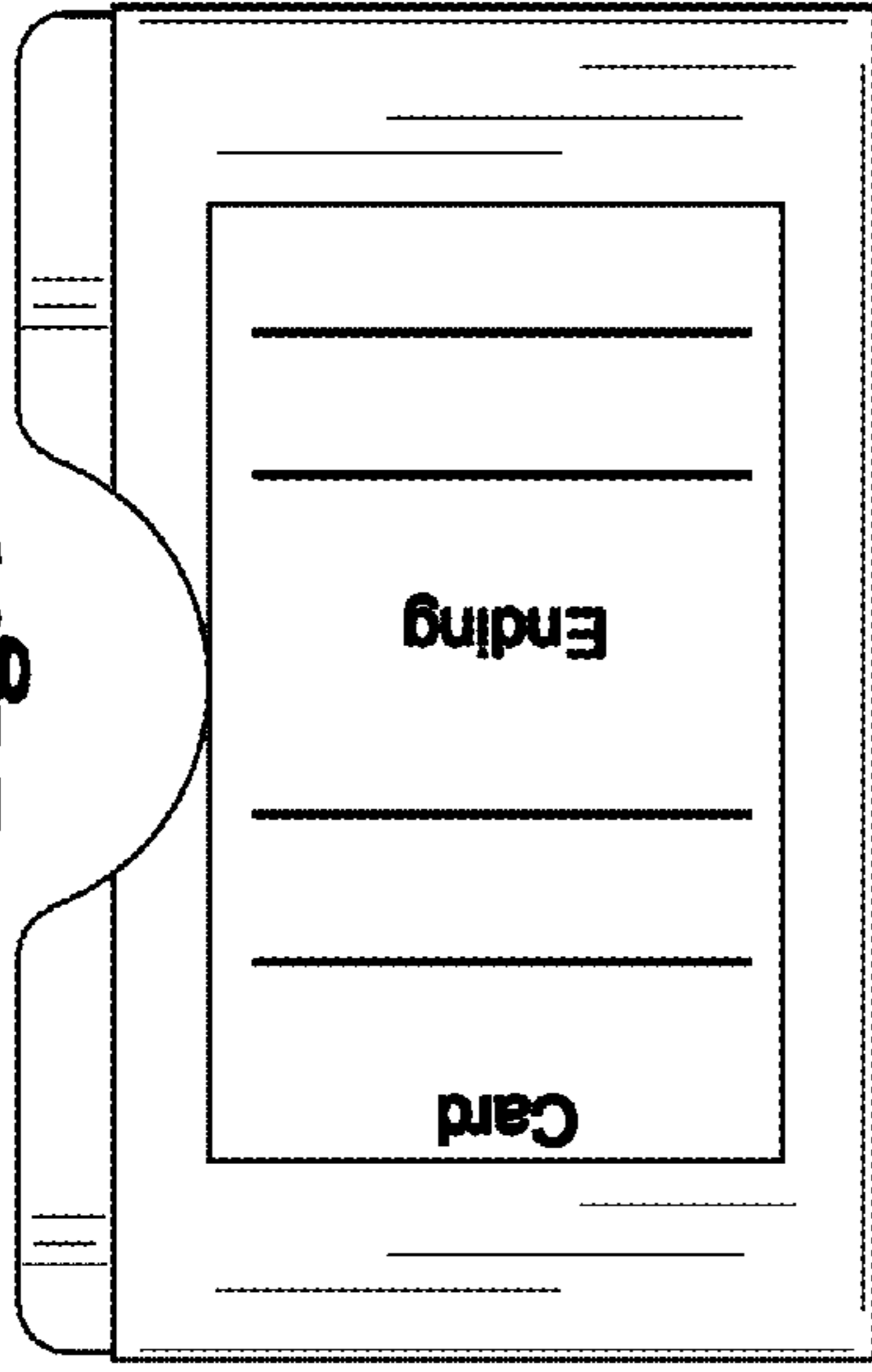


**Fig. 1**

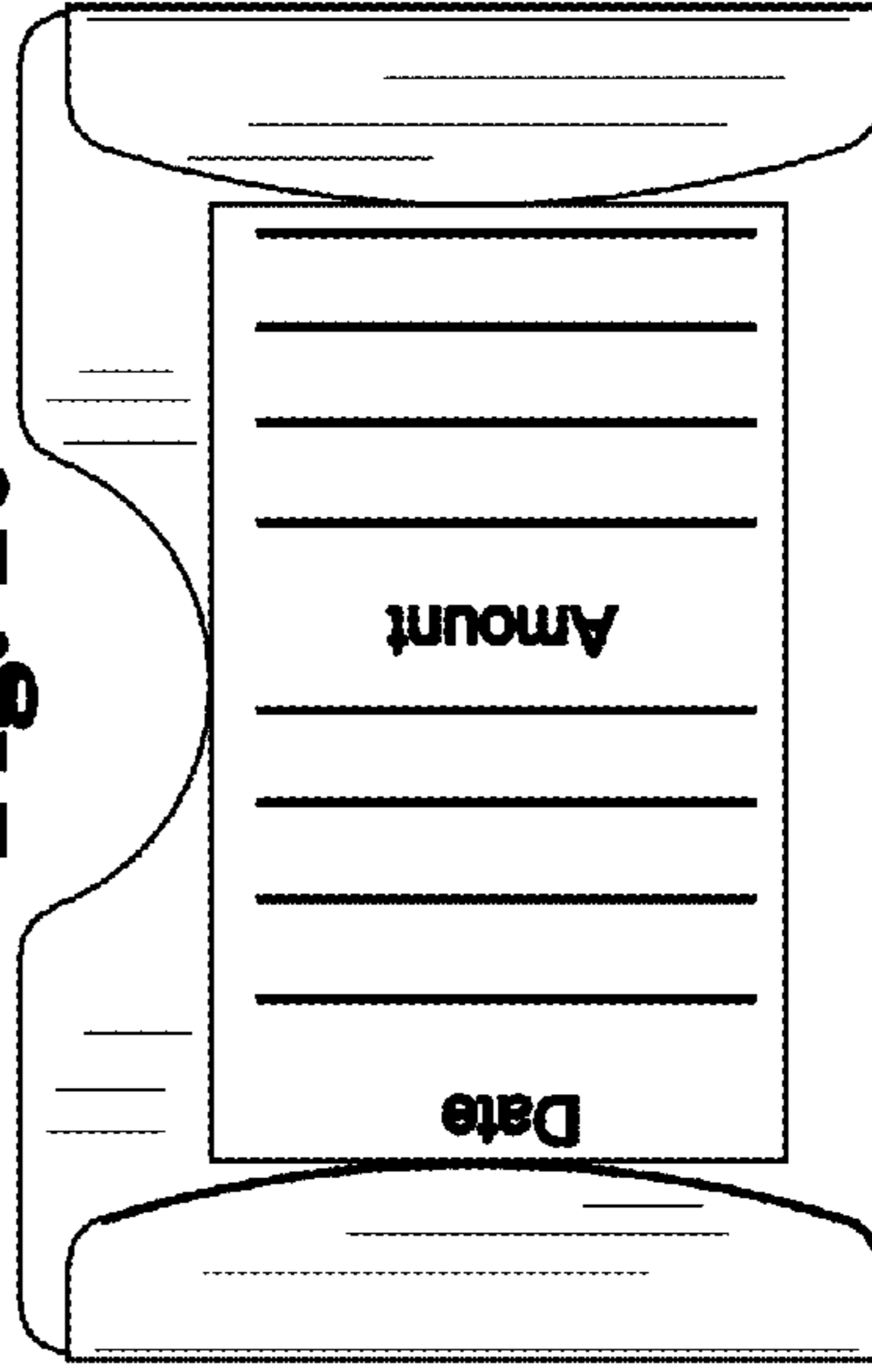
**Fig. 8**



**Fig. 9**

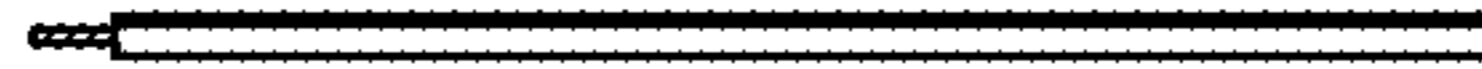


**Fig. 10**

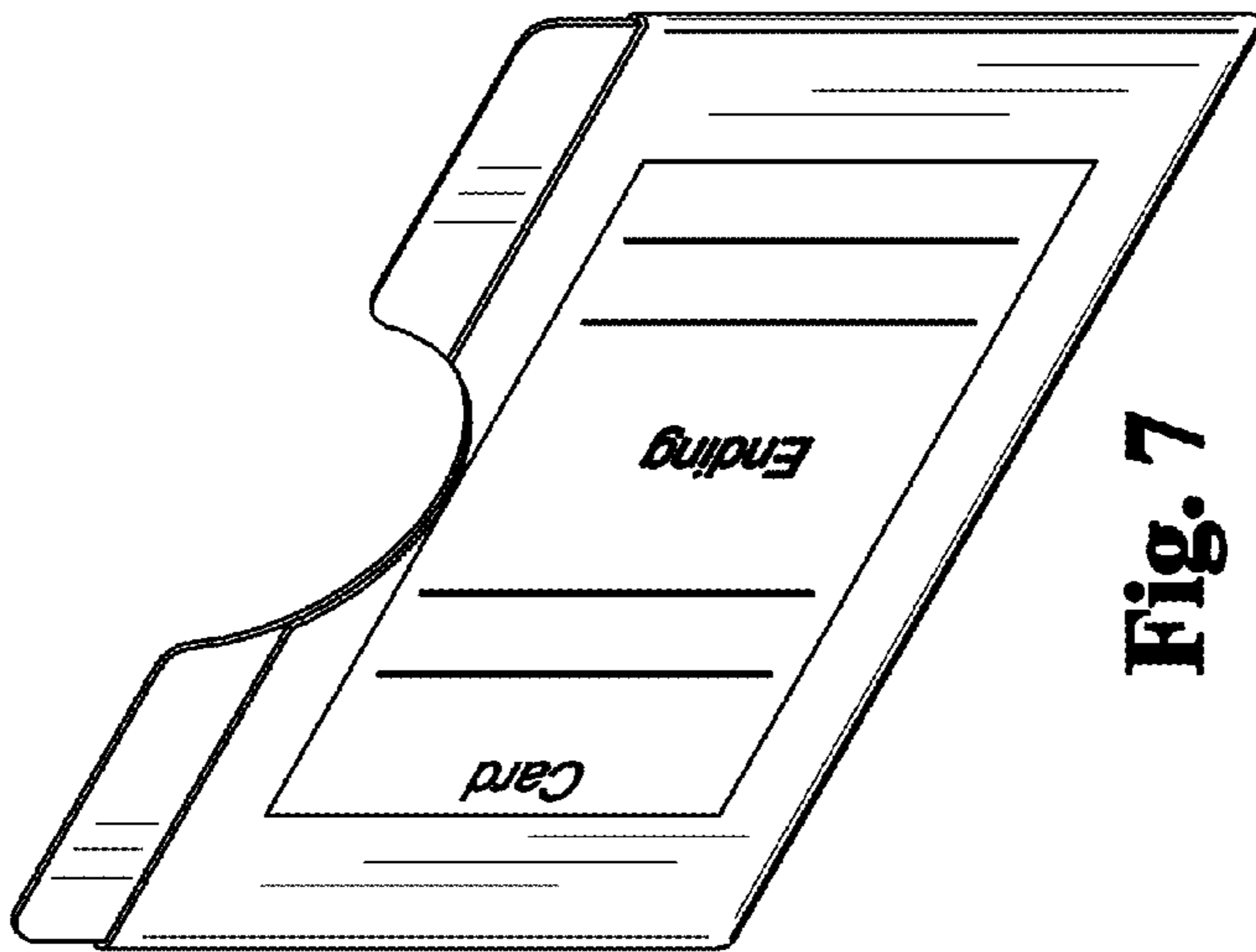


**Fig. 11**

**Fig. 12**



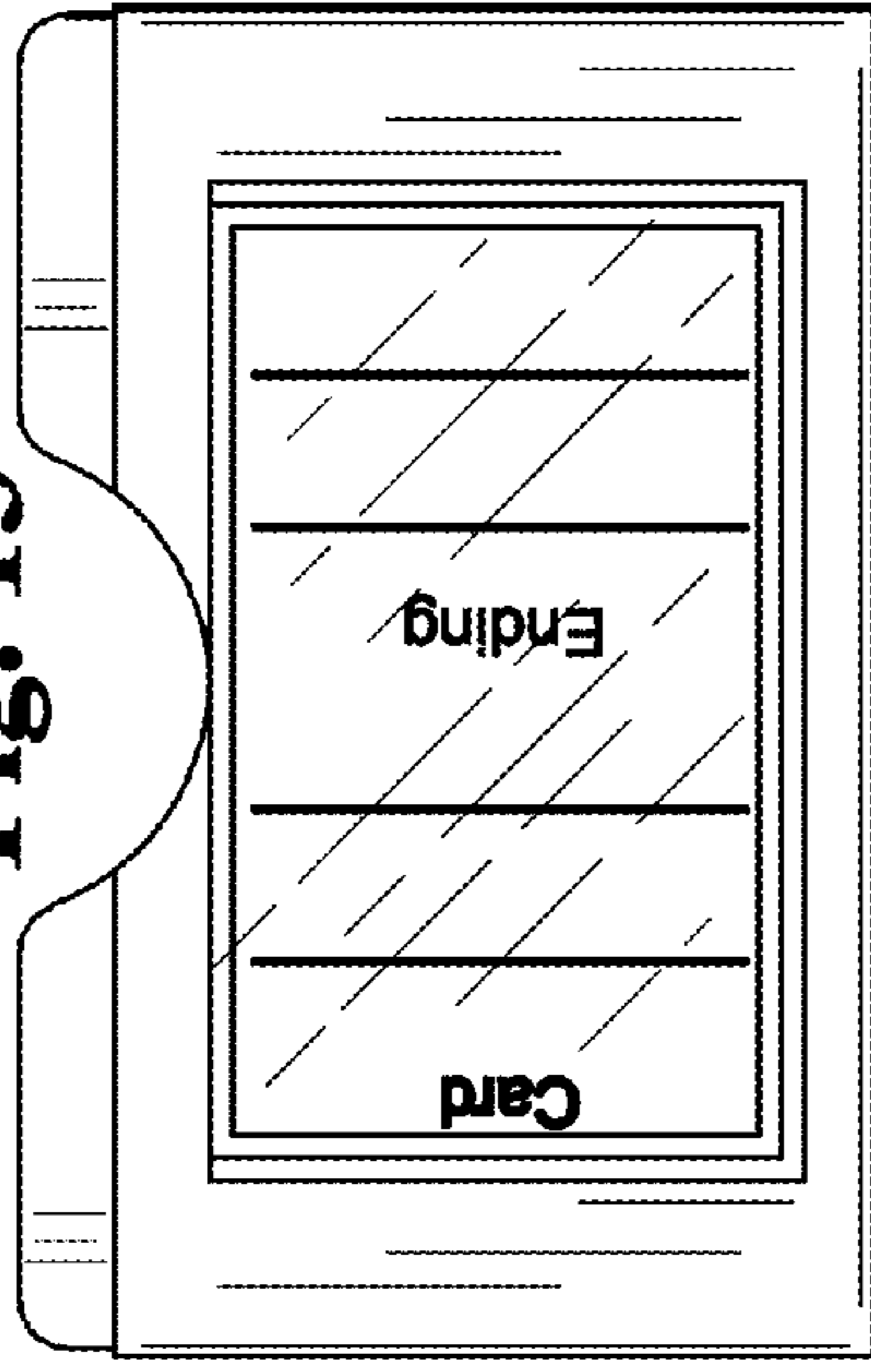
**Fig. 7**



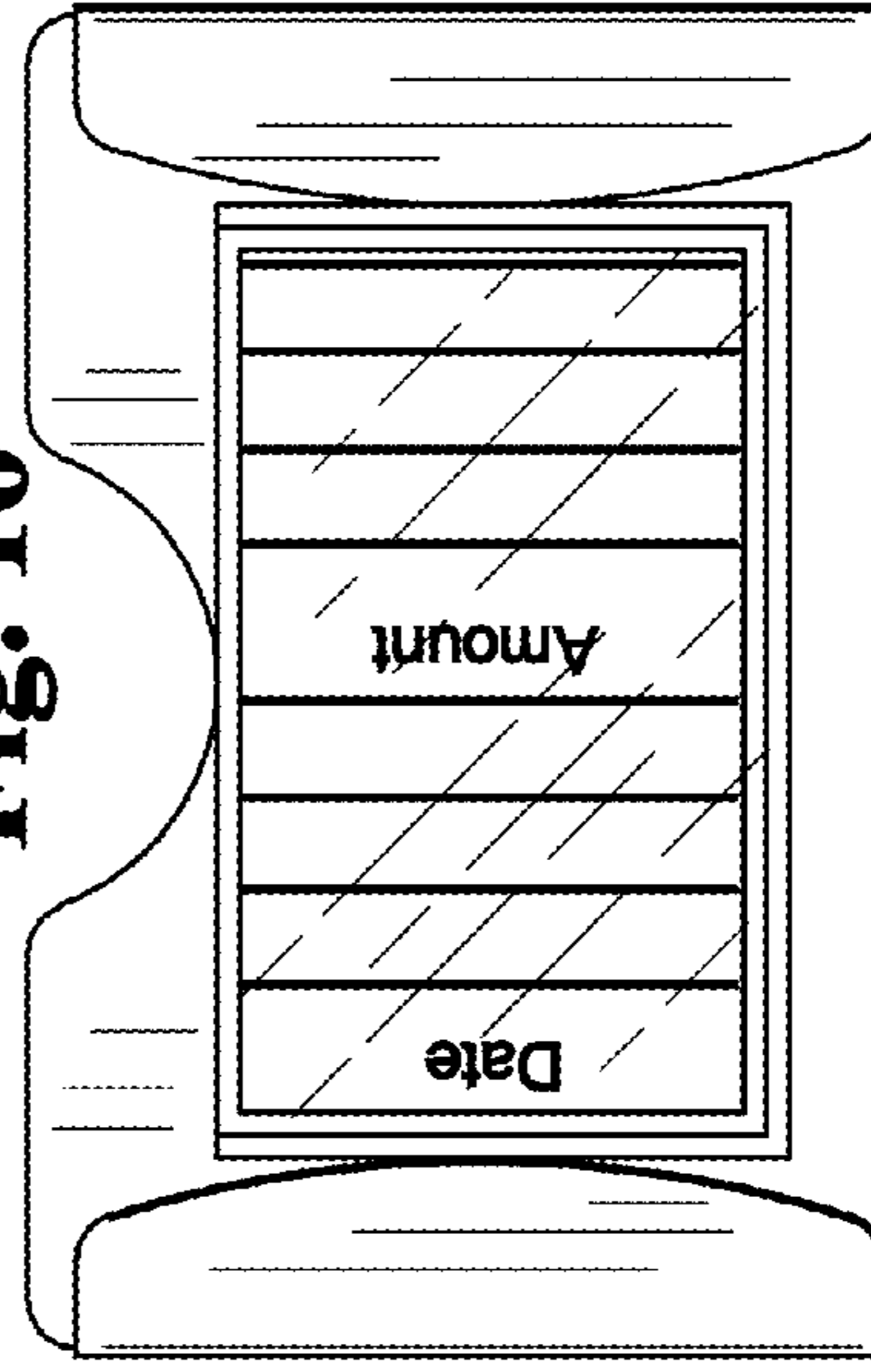
**Fig. 14**



**Fig. 15**



**Fig. 16**



**Fig. 17**



**Fig. 18**



**Fig. 13**

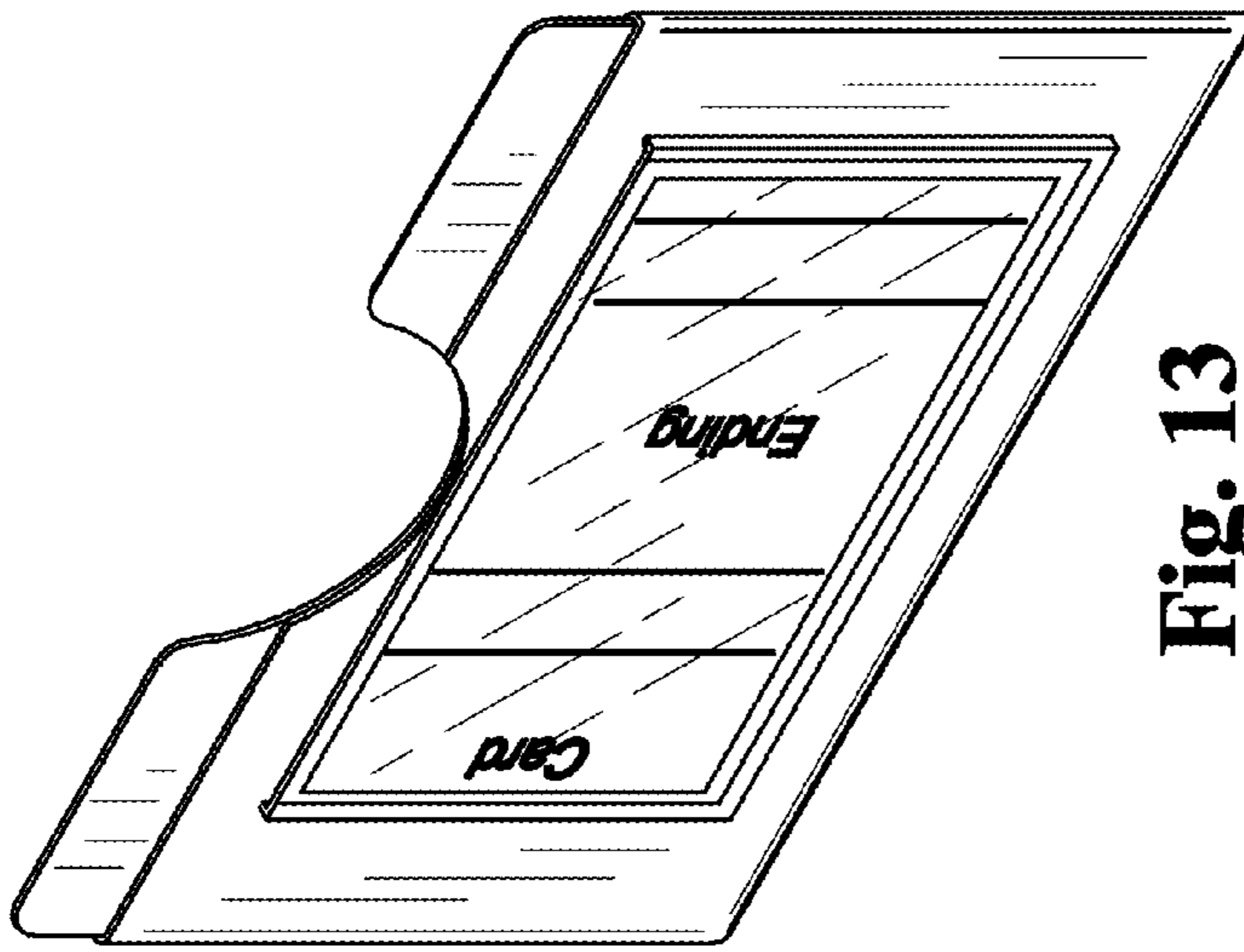


Fig. 20



Fig. 21

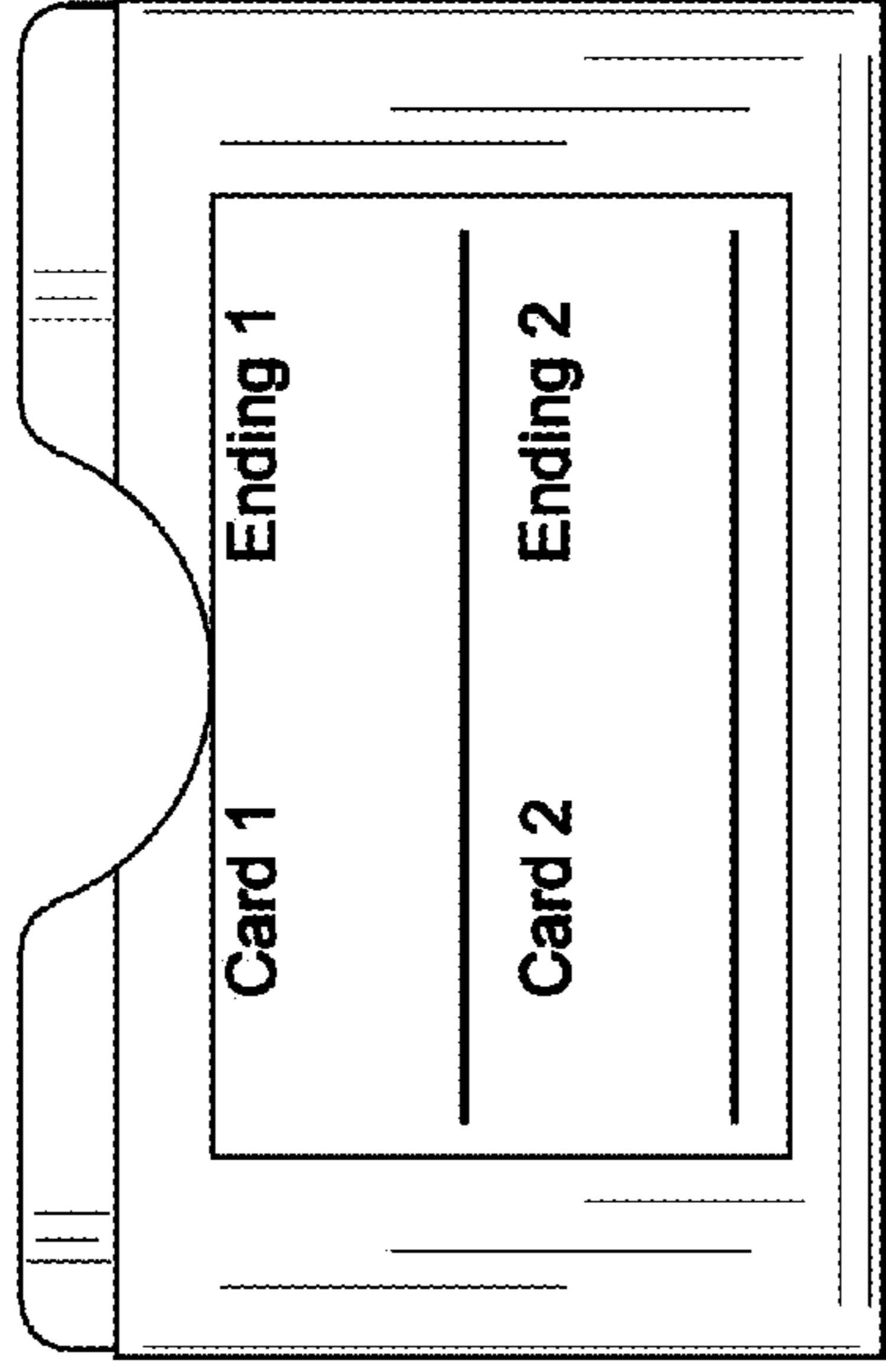


Fig. 22

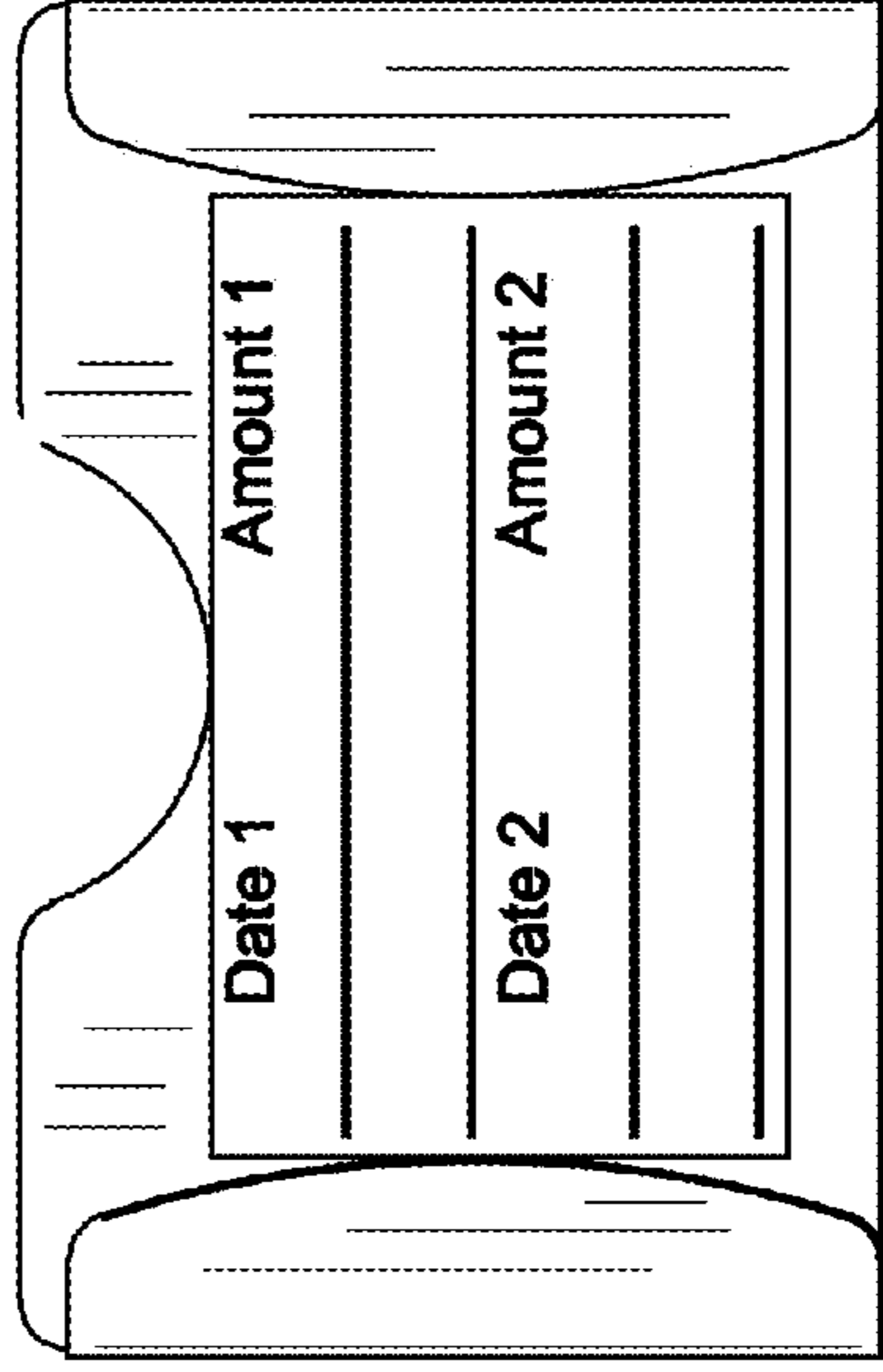


Fig. 23

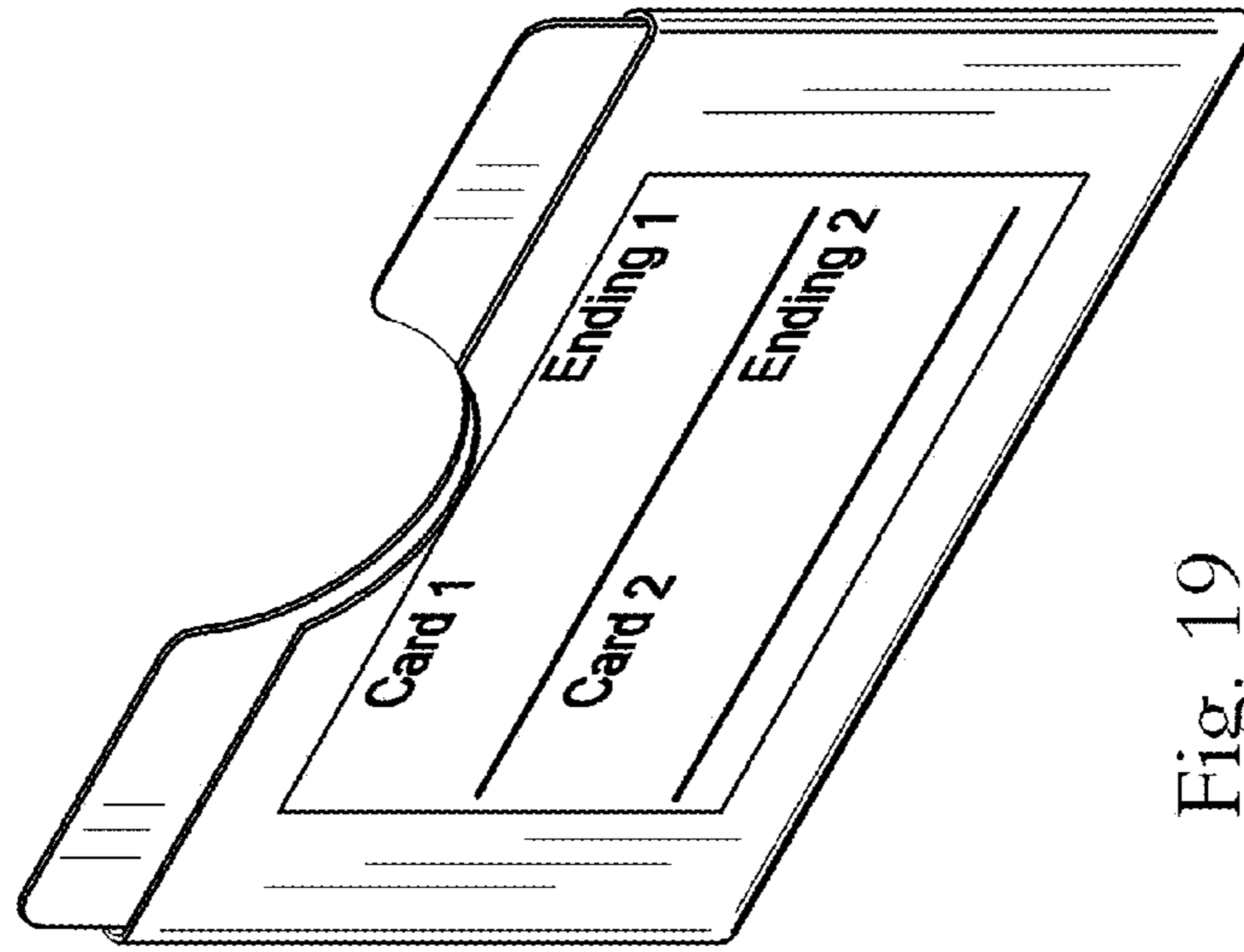
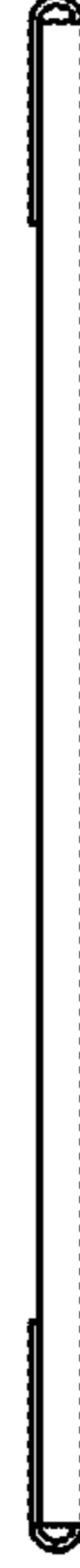


Fig. 19

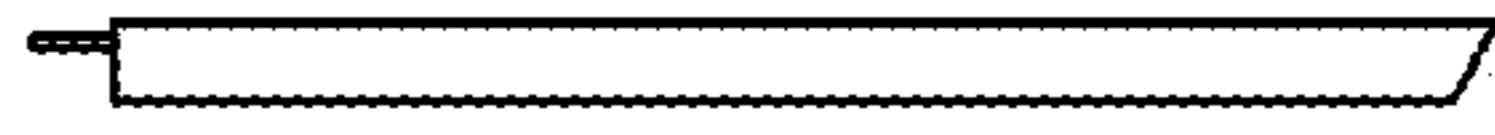


Fig. 24