



US00D718931S

(12) **United States Design Patent**
Brundl

(10) **Patent No.:** **US D718,931 S**
(45) **Date of Patent:** **** Dec. 9, 2014**

(54) **HANDBAG**

(56) **References Cited**

(71) Applicant: **Porsche Lizenz und
Handelsgesellschaft mbH & Co. KG,**
Bietigheim-Bissingen (DE)

U.S. PATENT DOCUMENTS

D564,223 S * 3/2008 Messineo D3/243
D660,586 S * 5/2012 Maramotti D3/232
D666,809 S * 9/2012 Hermann D3/232

(72) Inventor: **Daniel Brundl,** Bietigheim-Bissingen
(DE)

* cited by examiner

Primary Examiner — Holly Baynham

(73) Assignee: **Porsche Lizenz und
Handelsgesellschaft mbH & Co. KG**
(DE)

(74) *Attorney, Agent, or Firm* — Gerald E. Hespos; Michael
J. Porco; Matthew T. Hespos

(**) Term: **14 Years**

(57) **CLAIM**

The ornamental design of a handbag, as shown and described.

(21) Appl. No.: **29/454,173**

DESCRIPTION

(22) Filed: **May 7, 2013**

(30) **Foreign Application Priority Data**

Nov. 16, 2010 (EM) 002137836

(51) **LOC (10) CL.** **03-01**

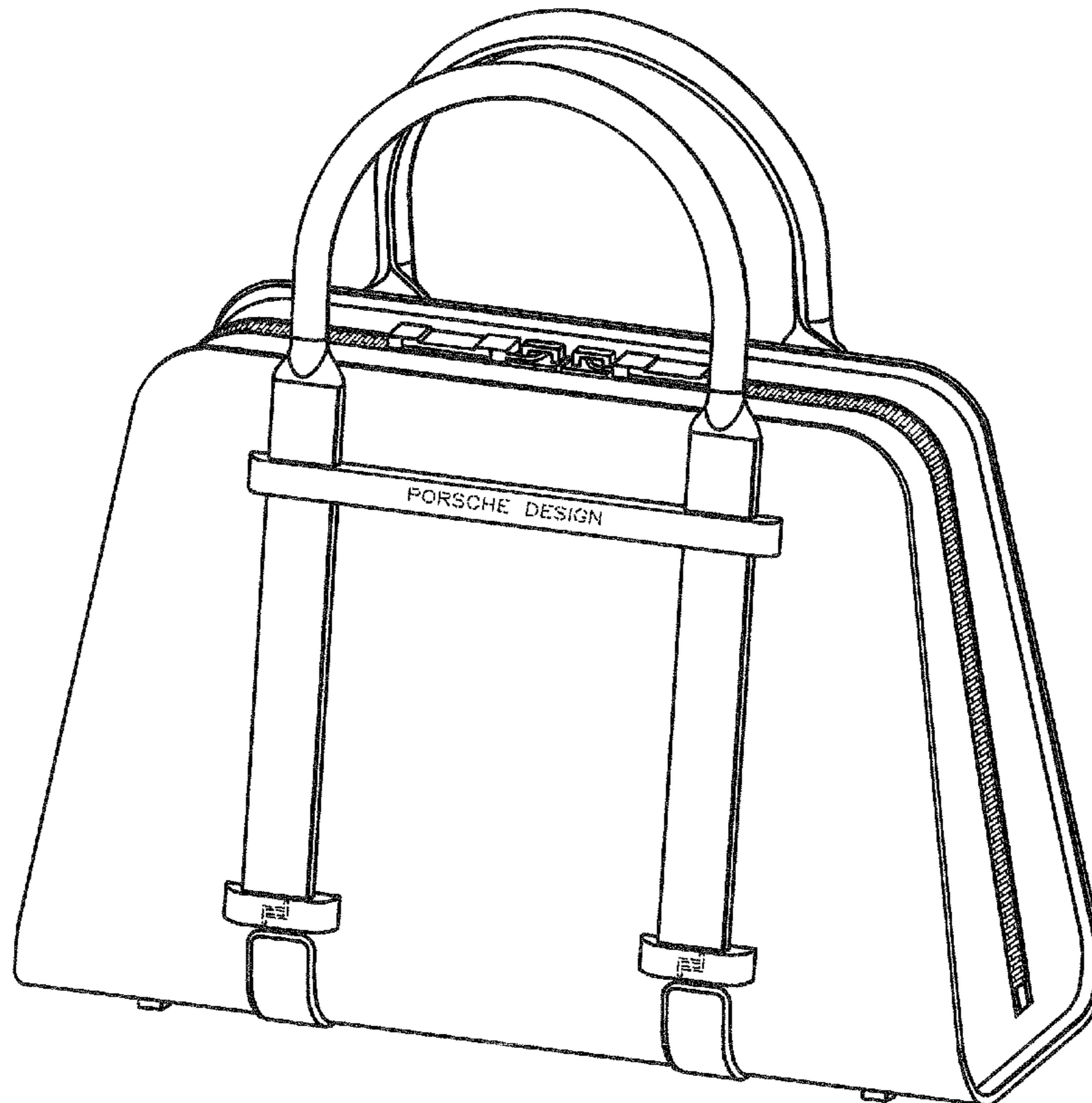
(52) **U.S. CL.**
USPC **D3/232**

(58) **Field of Classification Search**
USPC D3/232–233, 240–243, 245–246;
150/100, 103–110, 113–114, 117–119

See application file for complete search history.

FIG. 1 is a perspective view of a handbag with handles in a retracted state in accordance with my design;
FIG. 2 is a front elevational view thereof;
FIG. 3 is a top plan view thereof;
FIG. 4 is a side elevational view as viewed from the left side of FIG. 1;
FIG. 5 is a side elevational view as viewed from the left side of FIG. 1;
FIG. 6 is a rear elevational view thereof;
FIG. 7 is a bottom plan view thereof; and,
FIG. 8 is a perspective view of the handbag of FIG. 1 with the handles in an extended state.

1 Claim, 7 Drawing Sheets



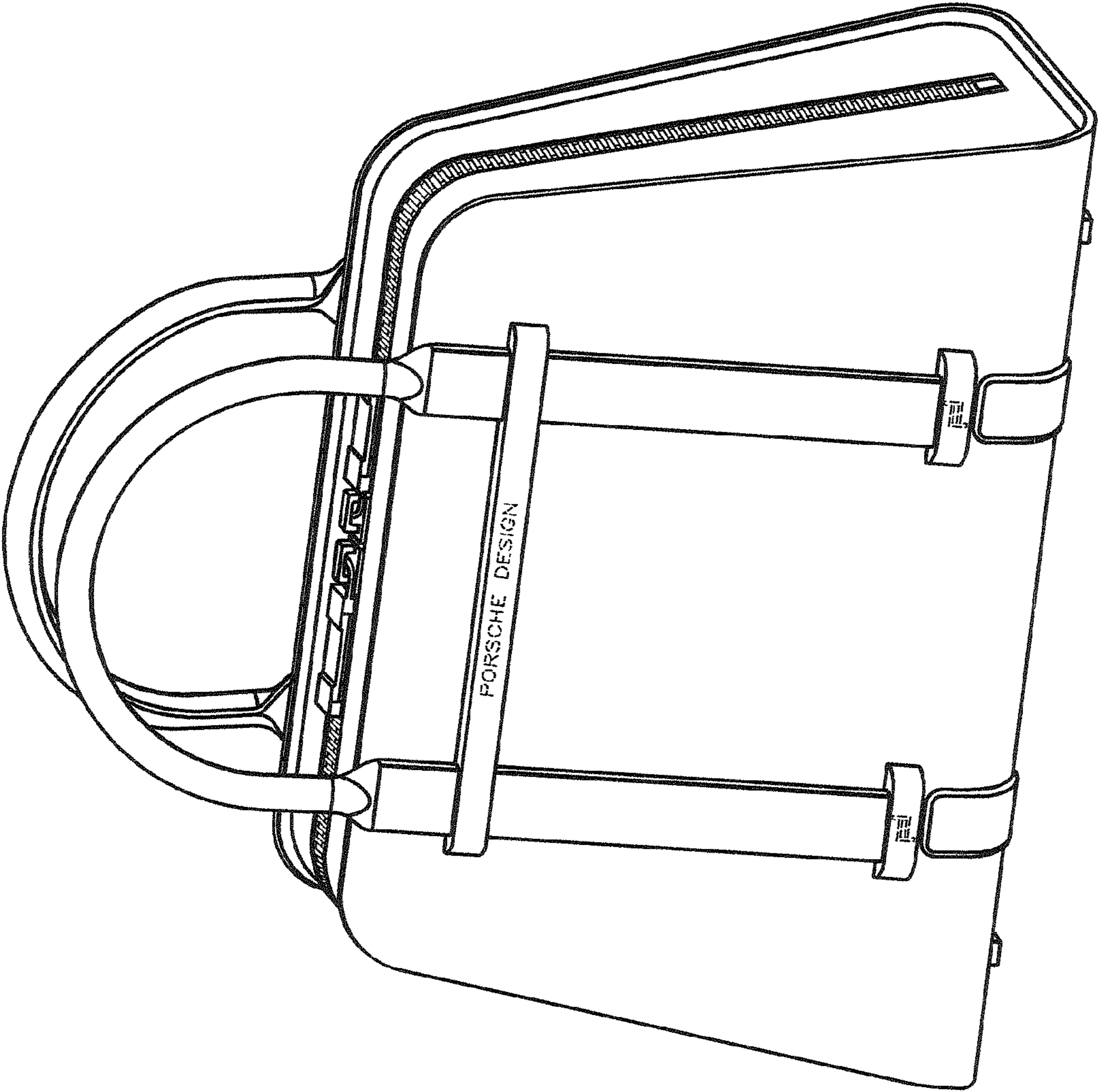


FIG. 1

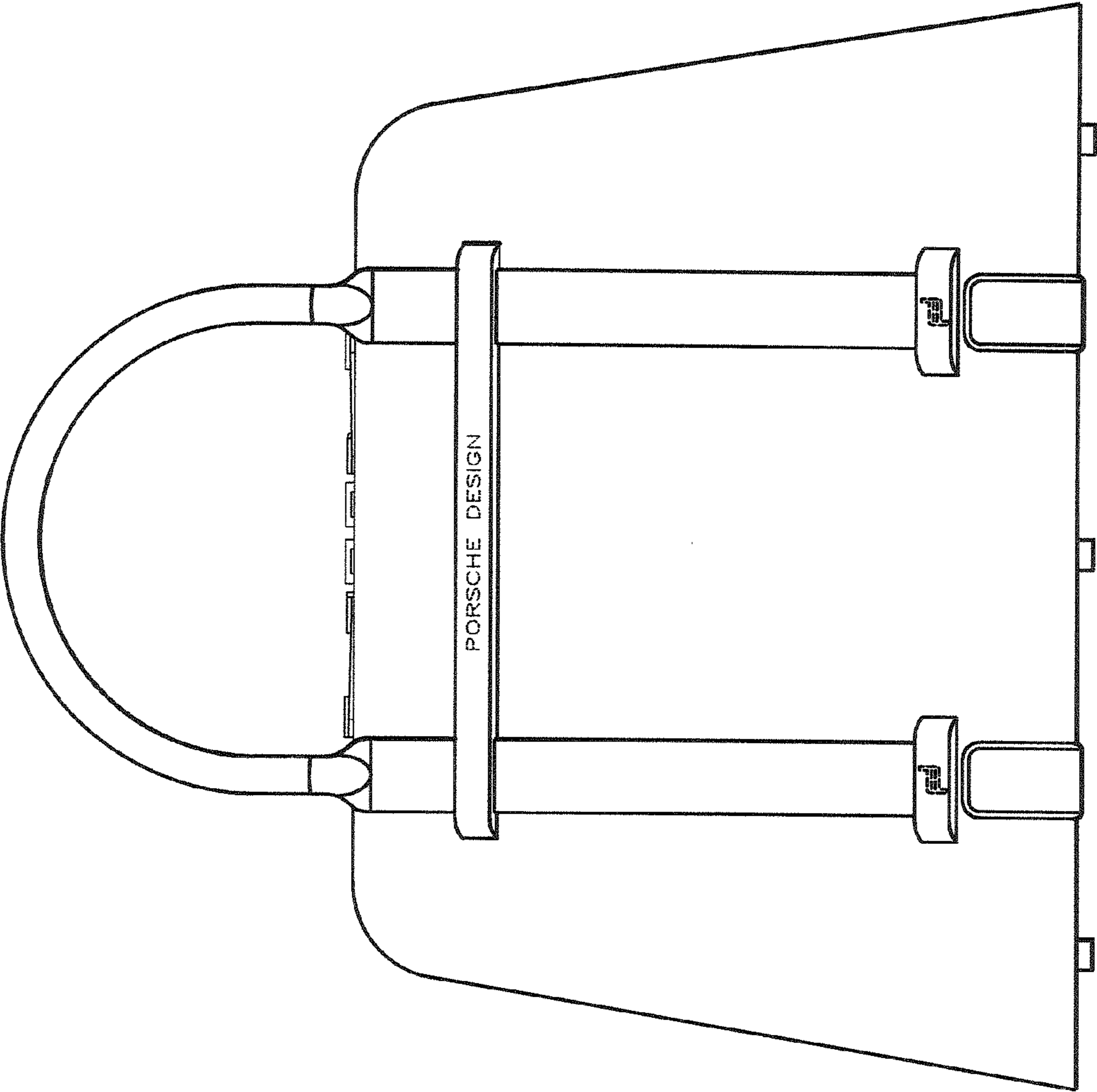


FIG.2

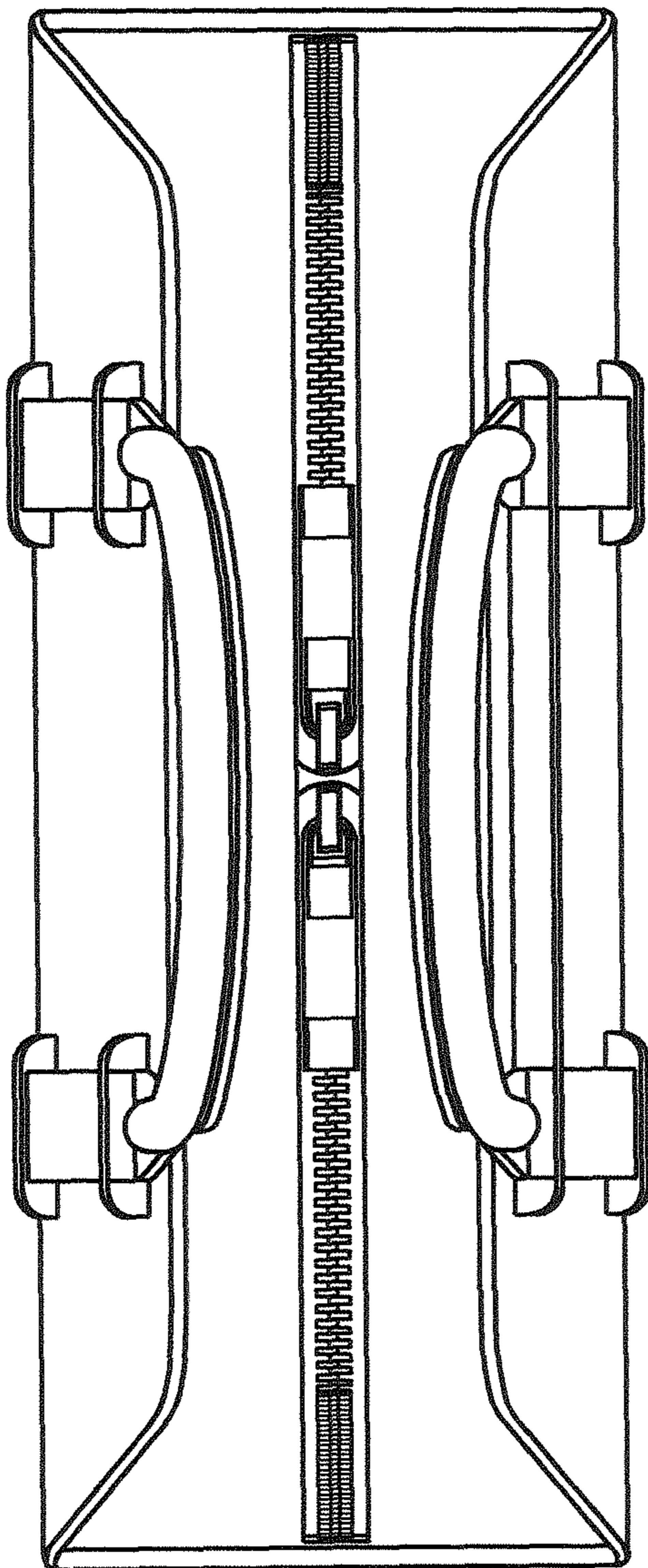


FIG. 3

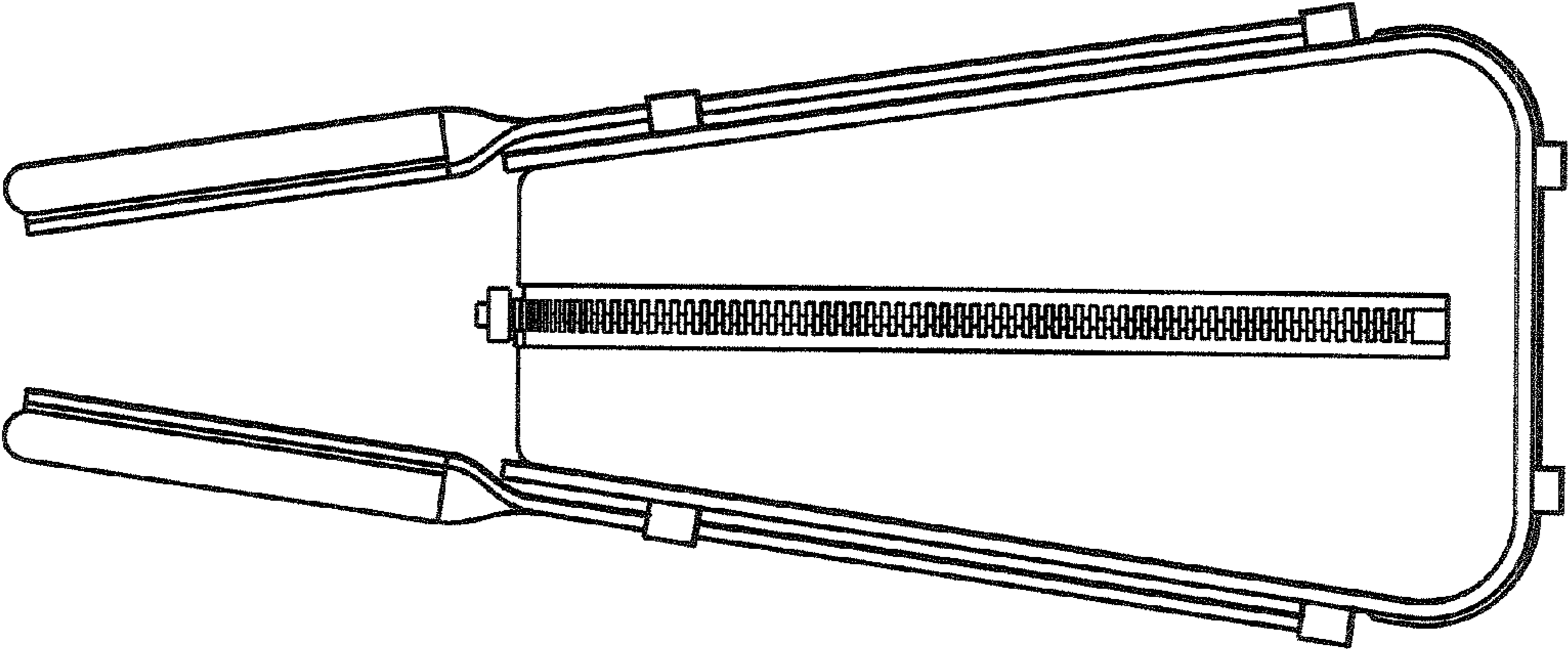


FIG. 5

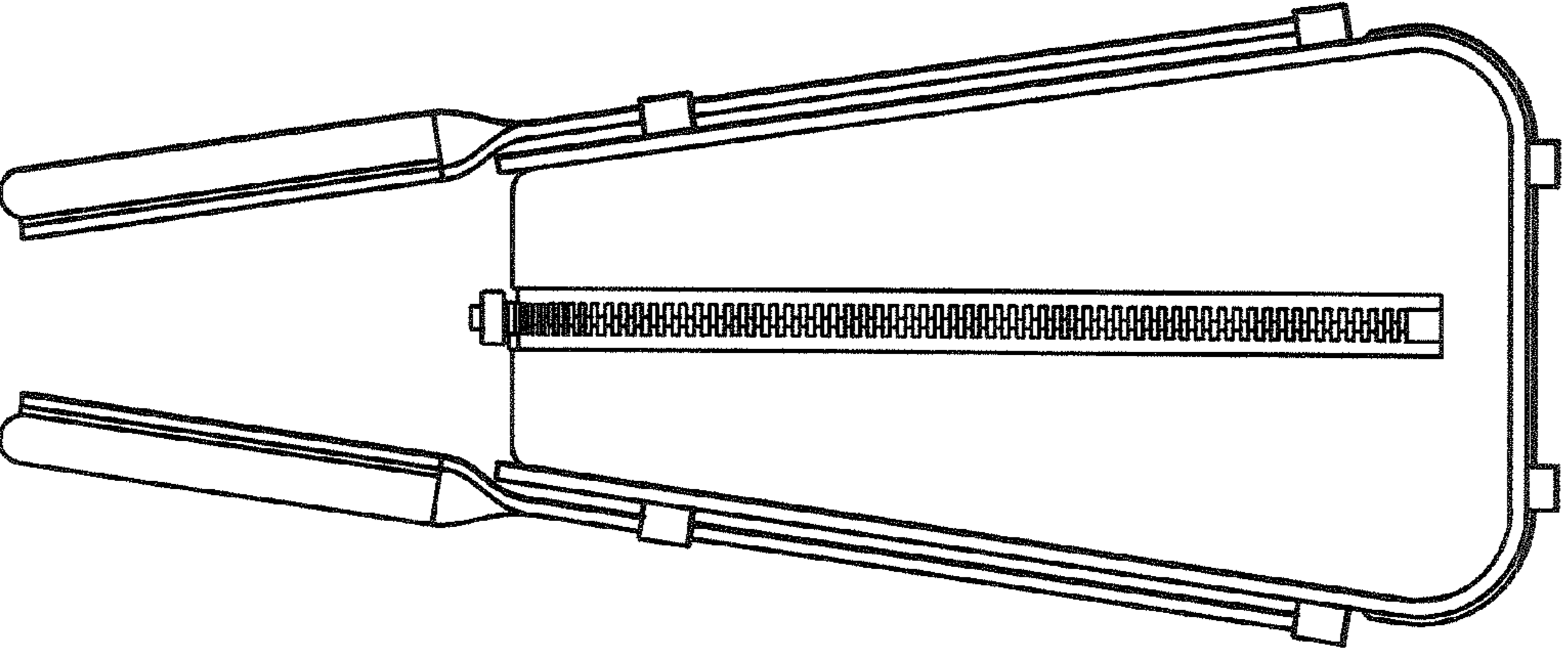


FIG. 4

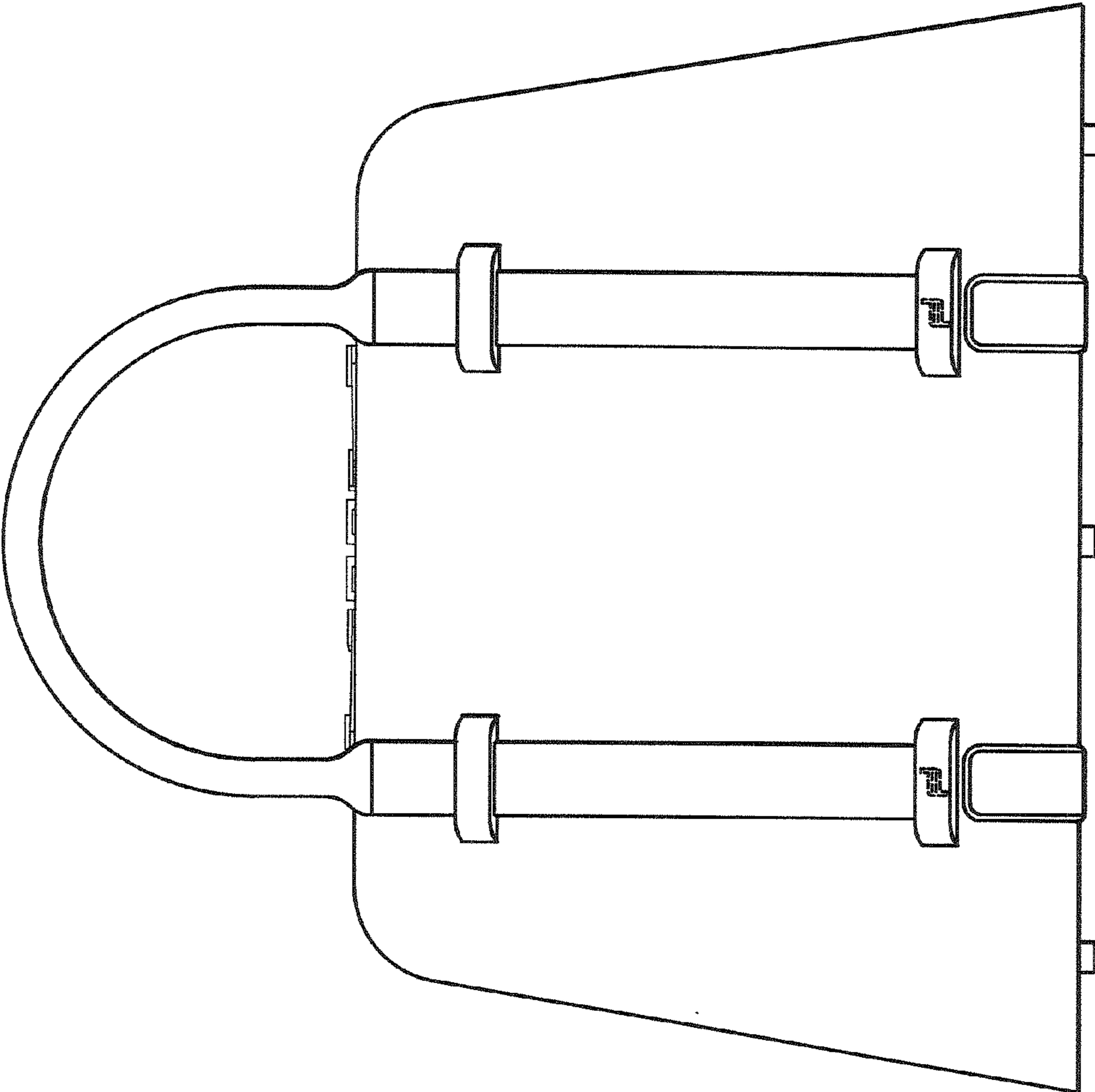


FIG.6

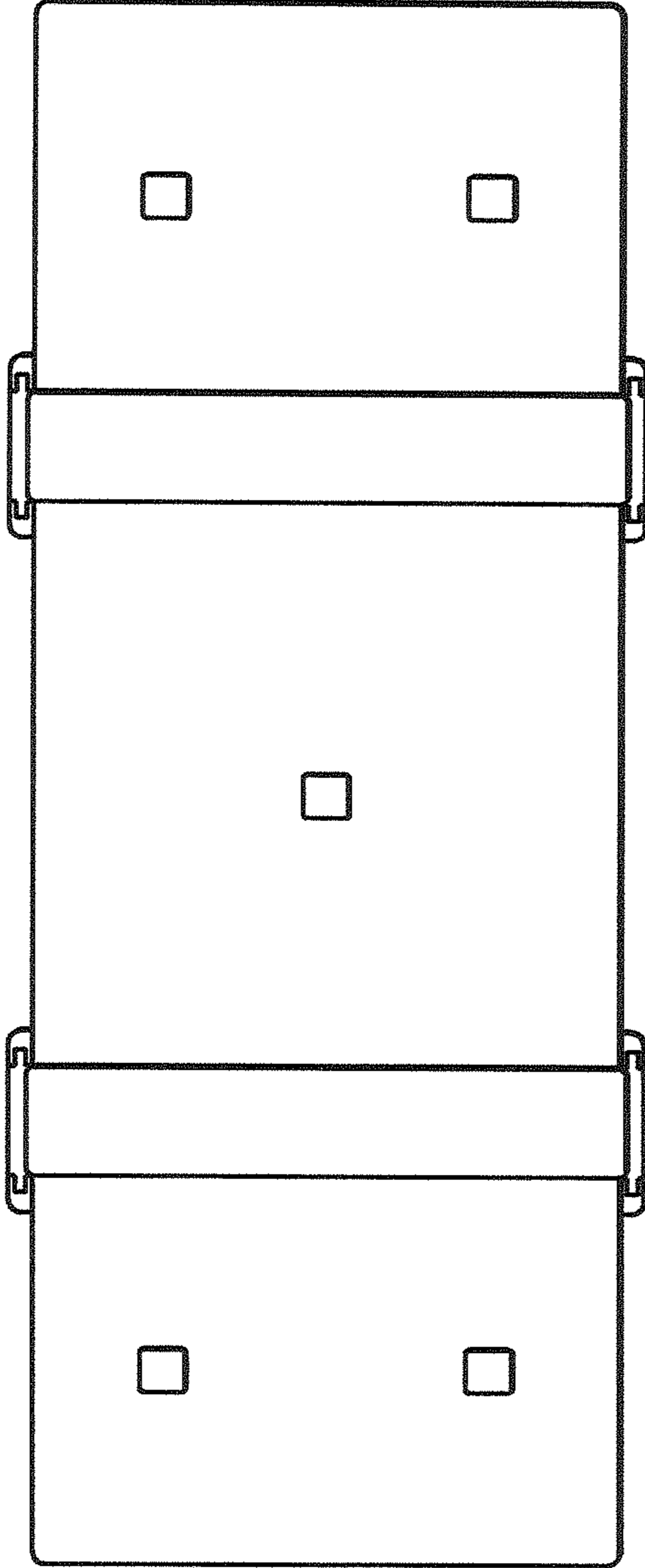


FIG.7



FIG.8