



US00D718930S

(12) **United States Design Patent**
Cabana

(10) **Patent No.:** **US D718,930 S**
(45) **Date of Patent:** **** Dec. 9, 2014**

(54) **TOOL POUCH ACCESSORY PAD**

(71) Applicant: **Daniel F. Cabana**, San Antonio, TX
(US)

(72) Inventor: **Daniel F. Cabana**, San Antonio, TX
(US)

(**) Term: **14 Years**

(21) Appl. No.: **29/494,267**

(22) Filed: **Jun. 18, 2014**

(51) **LOC (10) Cl.** **03-01**

(52) **U.S. Cl.**
USPC **D3/228; D3/215**

(58) **Field of Classification Search**
USPC **D3/228, 215, 226, 224; 206/372-373;**
224/219, 222, 267, 269, 165, 176, 627
See application file for complete search history.

(56) **References Cited**

U.S. PATENT DOCUMENTS

5,472,125	A *	12/1995	Barnard	224/219
5,894,971	A *	4/1999	Huang	224/218
6,568,574	B2 *	5/2003	Jones et al.	224/222
D572,465	S *	7/2008	Beck	D3/215

* cited by examiner

Primary Examiner — Catheri Oliver-Garcia

(57) **CLAIM**

The ornamental design for a tool pouch accessory pad, as shown and described.

DESCRIPTION

FIG. 1 is a perspective view (as seen from the rear view) of the tool pouch accessory pad with the adjustable straps fastened in front of the accessory pad.

FIG. 2 is a rear view (with the adjustable straps fastened in front of the accessory pad) thereof.

FIG. 3 is a front view (with the adjustable straps fastened in front of the accessory pad) thereof.

FIG. 4 is a right side view (with the adjustable straps fastened in front of the accessory pad) thereof.

FIG. 5 is a left side view (with the adjustable straps fastened in front of the accessory pad) thereof.

FIG. 6 is a top view (with the adjustable straps fastened in front of the accessory pad) thereof.

FIG. 7 is a bottom view (with the adjustable straps fastened in front of the accessory pad) thereof.

FIG. 8 is an inverted perspective view (as seen from the front view) thereof.

FIG. 9 is a perspective view (as seen from the rear view) of the tool accessory pad shown with adjustable straps in an unfastened position.

FIG. 10 is a rear view (with adjustable straps in an unfastened position) thereof.

FIG. 11 is a front view (with adjustable straps in an unfastened position) thereof.

FIG. 12 is a left side view (with adjustable straps in an unfastened position) thereof.

FIG. 13 is a right side view (with adjustable straps in an unfastened position) thereof.

FIG. 14 is a top view (with adjustable straps in an unfastened position) thereof.

FIG. 15 is a bottom view (with adjustable straps in an unfastened position) thereof.

FIG. 16 is an inverted perspective view (as seen from the front view with adjustable straps in an unfastened position) thereof.

FIG. 17 is a perspective view (as seen from the rear view) of the tool pouch accessory pad with the adjustable straps in a fastened position in back of the accessory pad.

FIG. 18 is a rear view (with the adjustable straps in a fastened position in back of the accessory pad) thereof.

FIG. 19 is a front view (with the adjustable straps in a fastened position in back of the accessory pad) thereof.

FIG. 20 is a left side view (with the adjustable straps in a fastened position in rear of the accessory pad) thereof.

FIG. 21 is a right side view (with the adjustable straps in a fastened position in rear of the accessory pad) thereof.

FIG. 22 is a top view (with the adjustable straps in a fastened position in rear of the accessory pad) thereof.

FIG. 23 is a bottom view (with the adjustable straps in a fastened position in rear of the accessory pad) thereof; and,

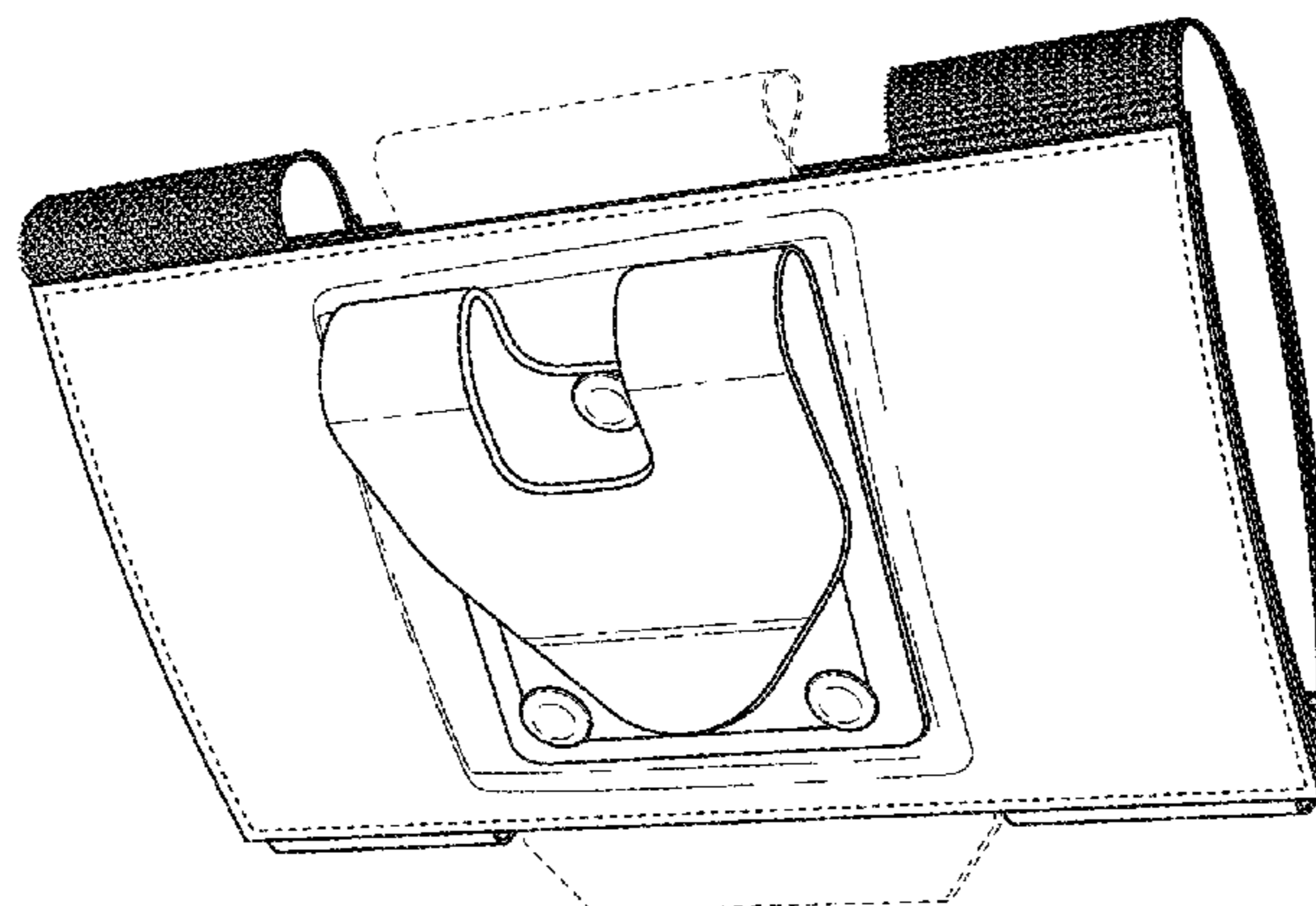


FIG. 24 is an inverted perspective view (as seen from the front view with the adjustable straps in a fastened position in rear of the accessory pad) thereof.

The small broken or dashed lines are used in the drawings to show the environment related to the claimed design and form no part of the claimed design. The more bold larger dashed

lines are used to show stitching which is part of the environment and form no part of the claimed features. The longer irregular dashed lines are used to show curvature.

1 Claim, 13 Drawing Sheets

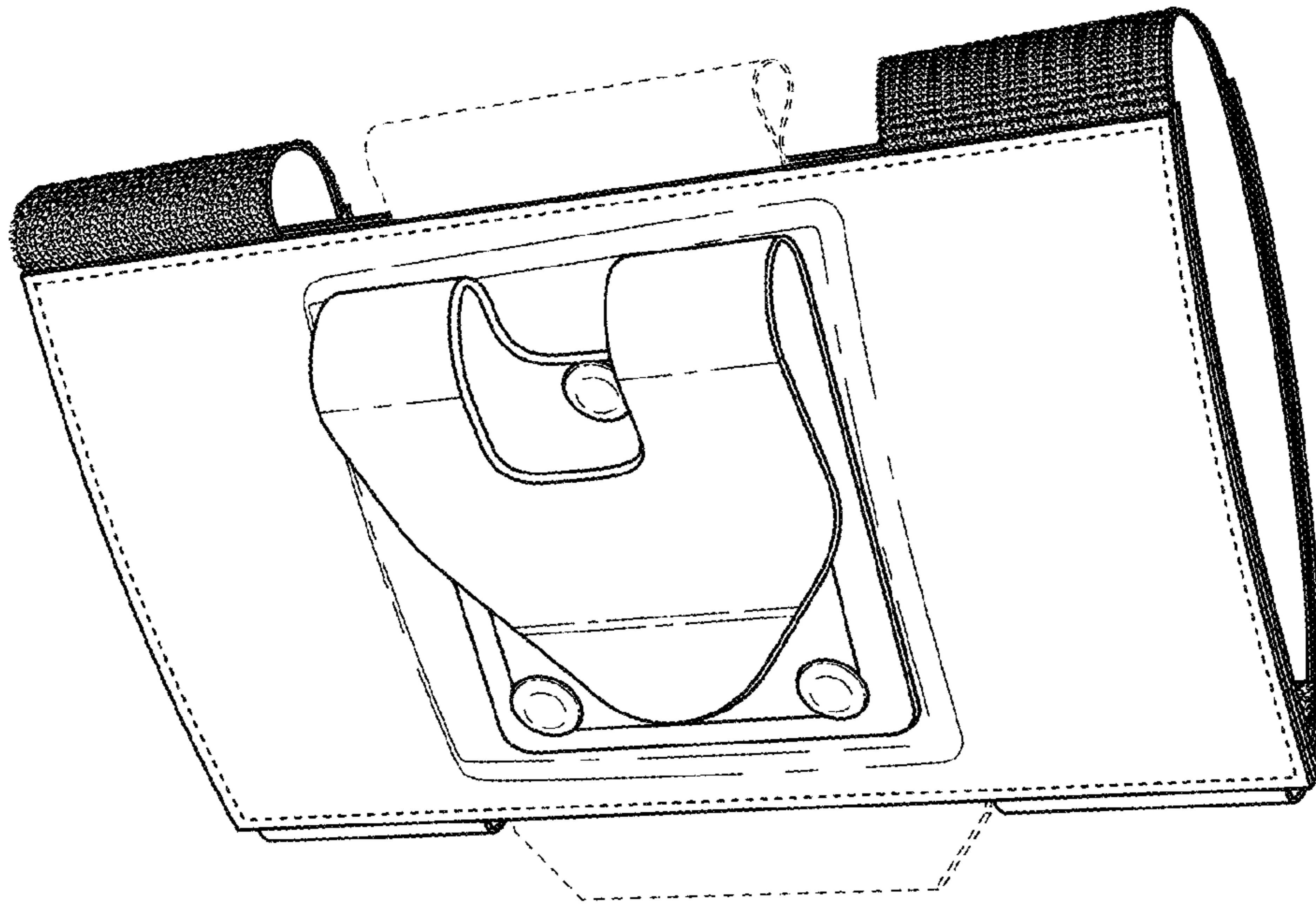


FIG. 1

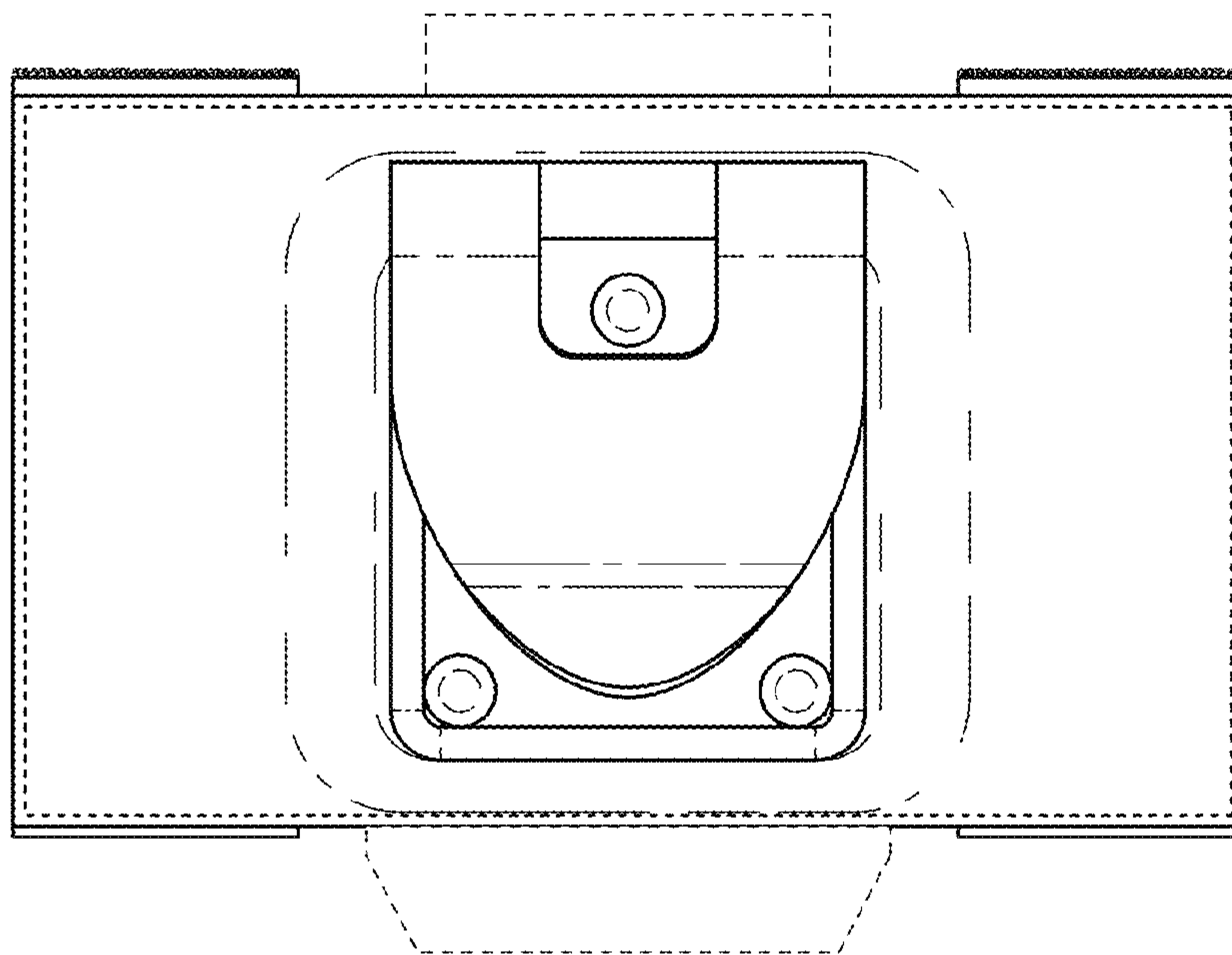


FIG. 2

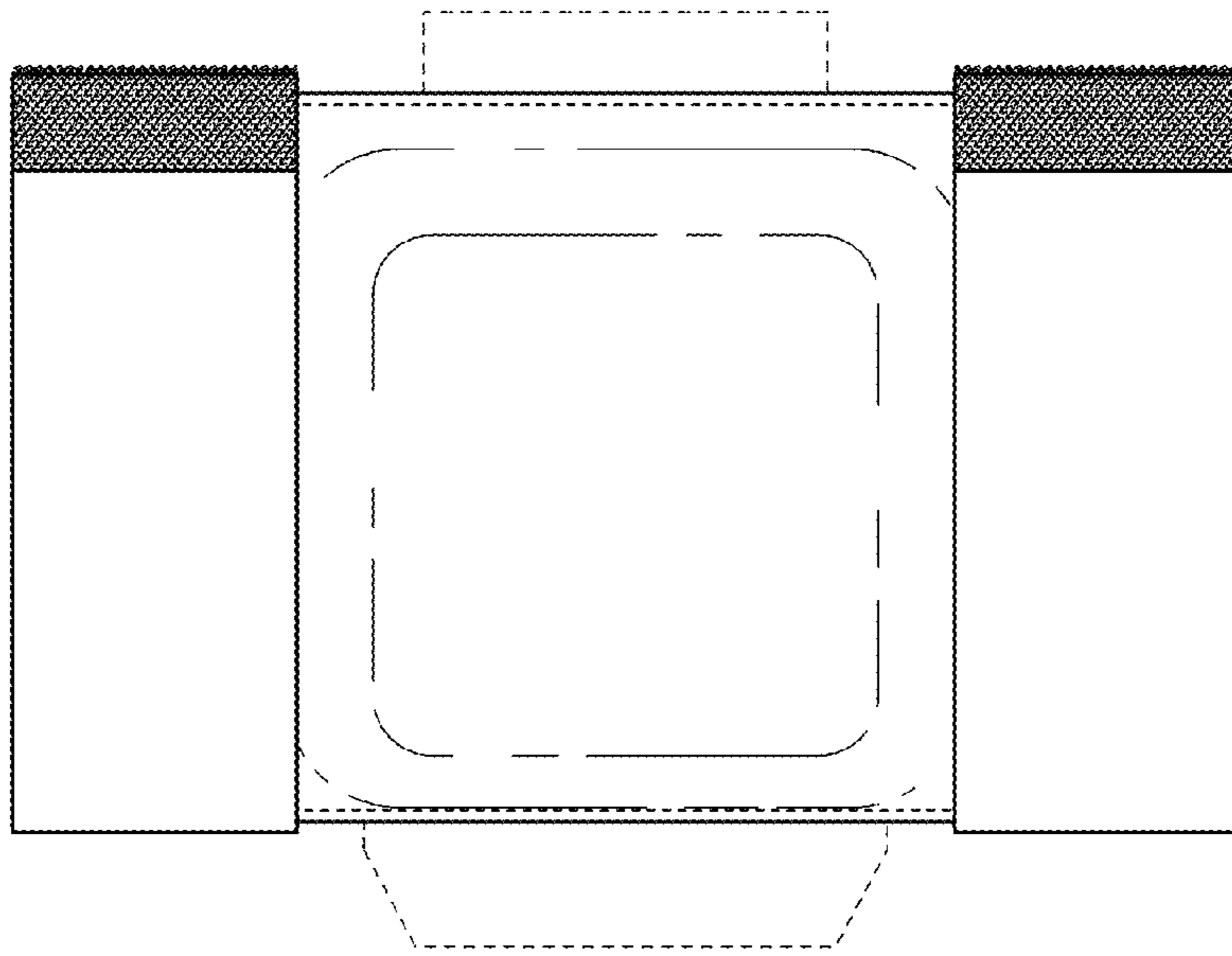


FIG. 3

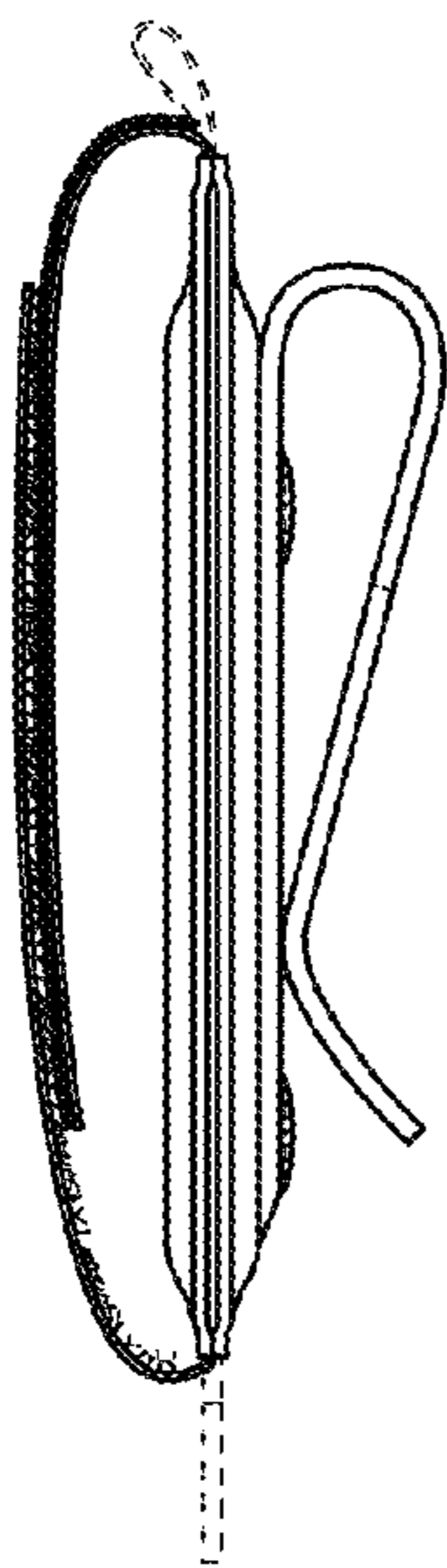


FIG. 4

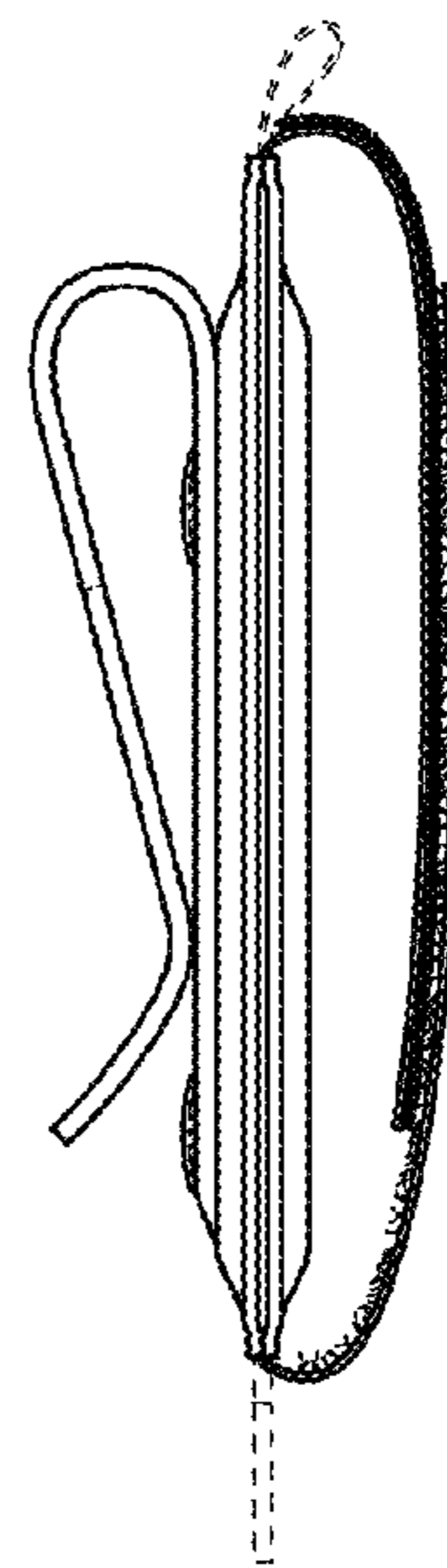


FIG. 5

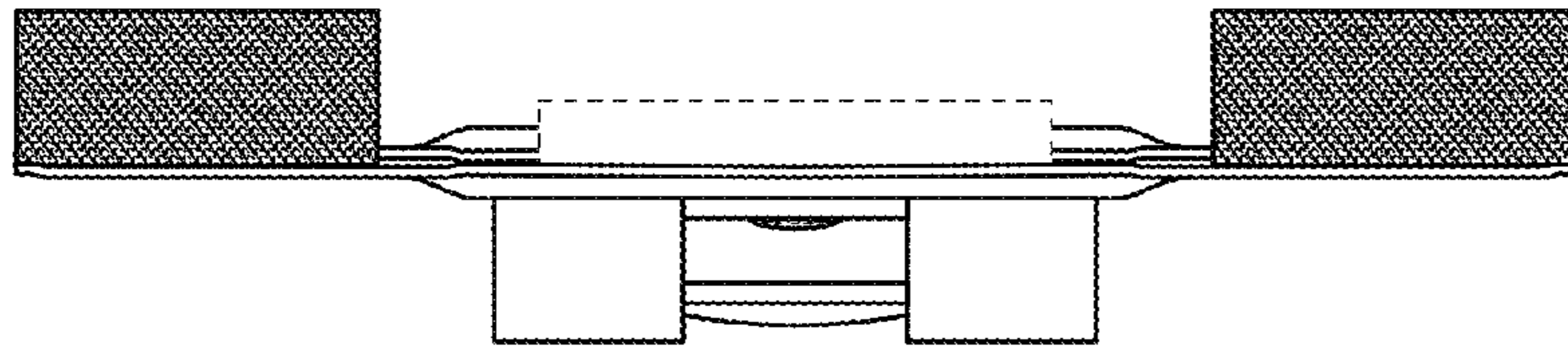


FIG. 6

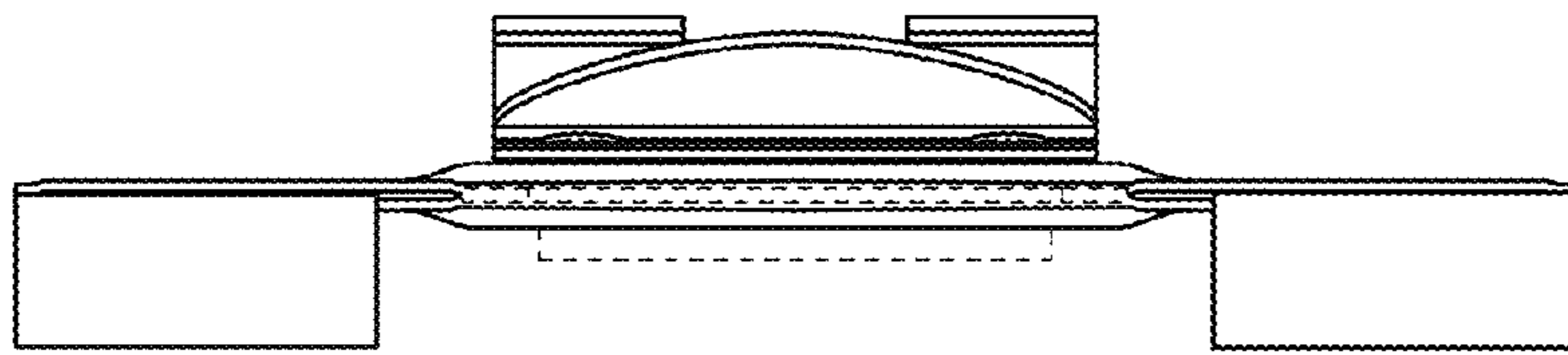


FIG. 7

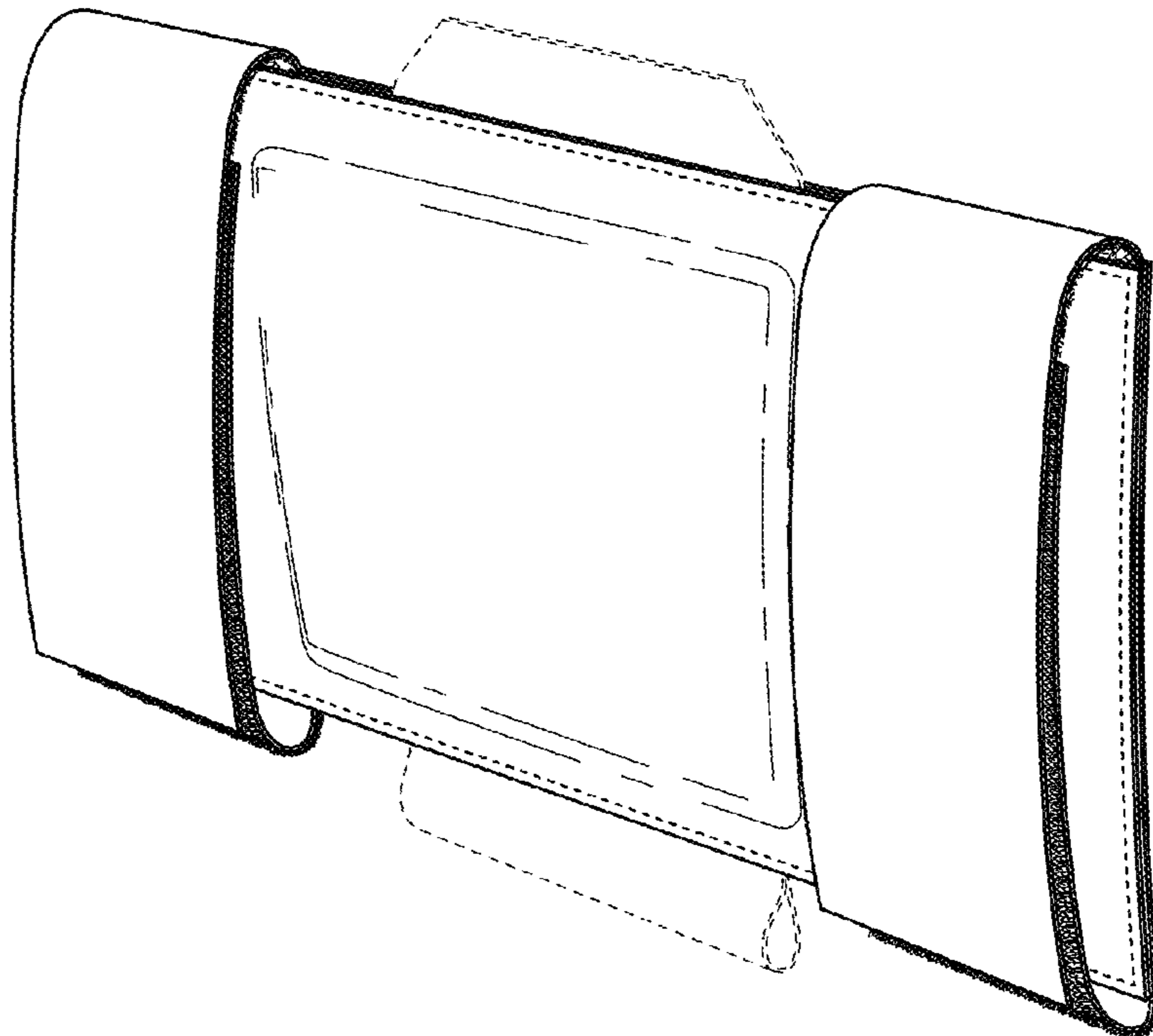


FIG. 8

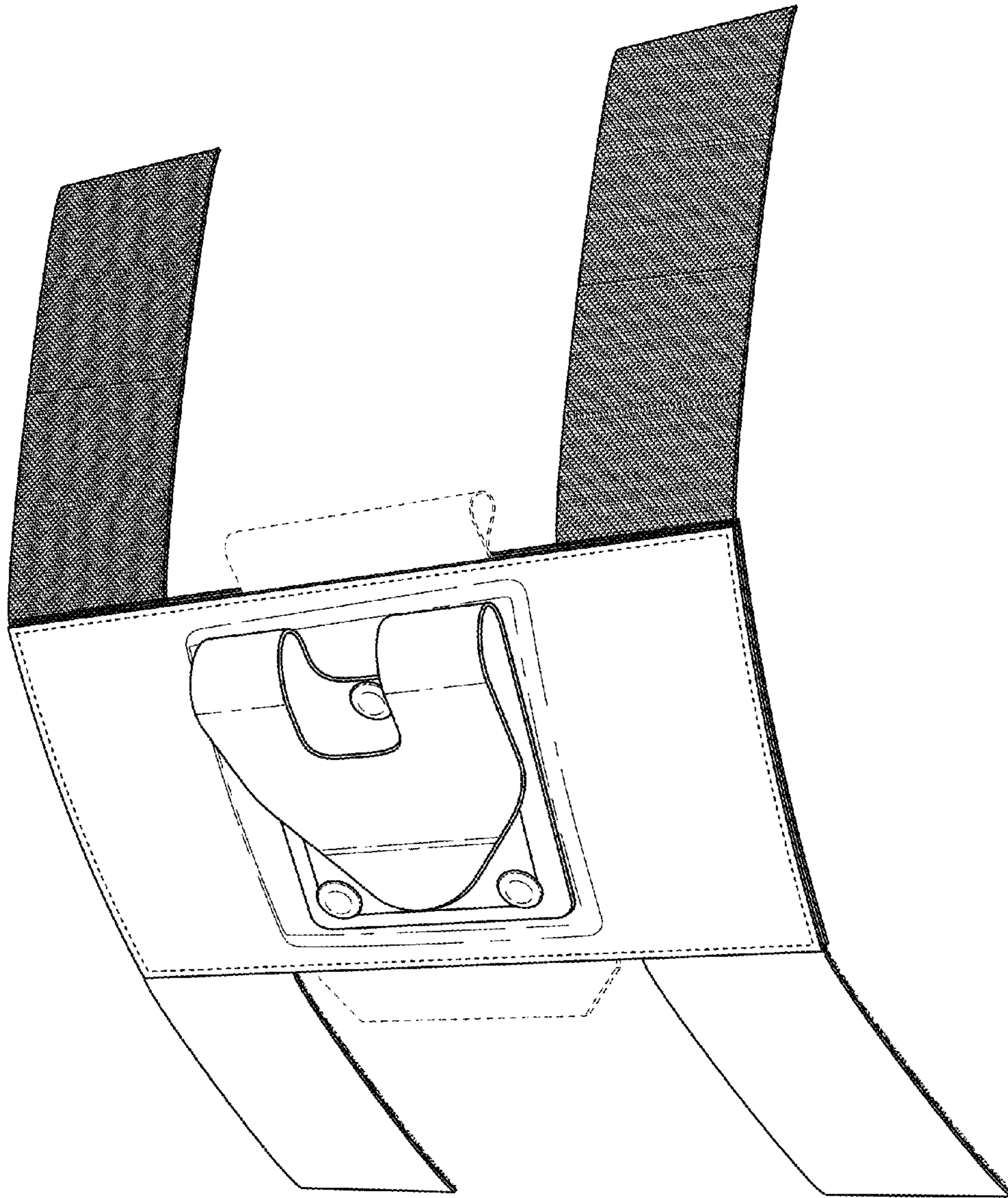


FIG. 9

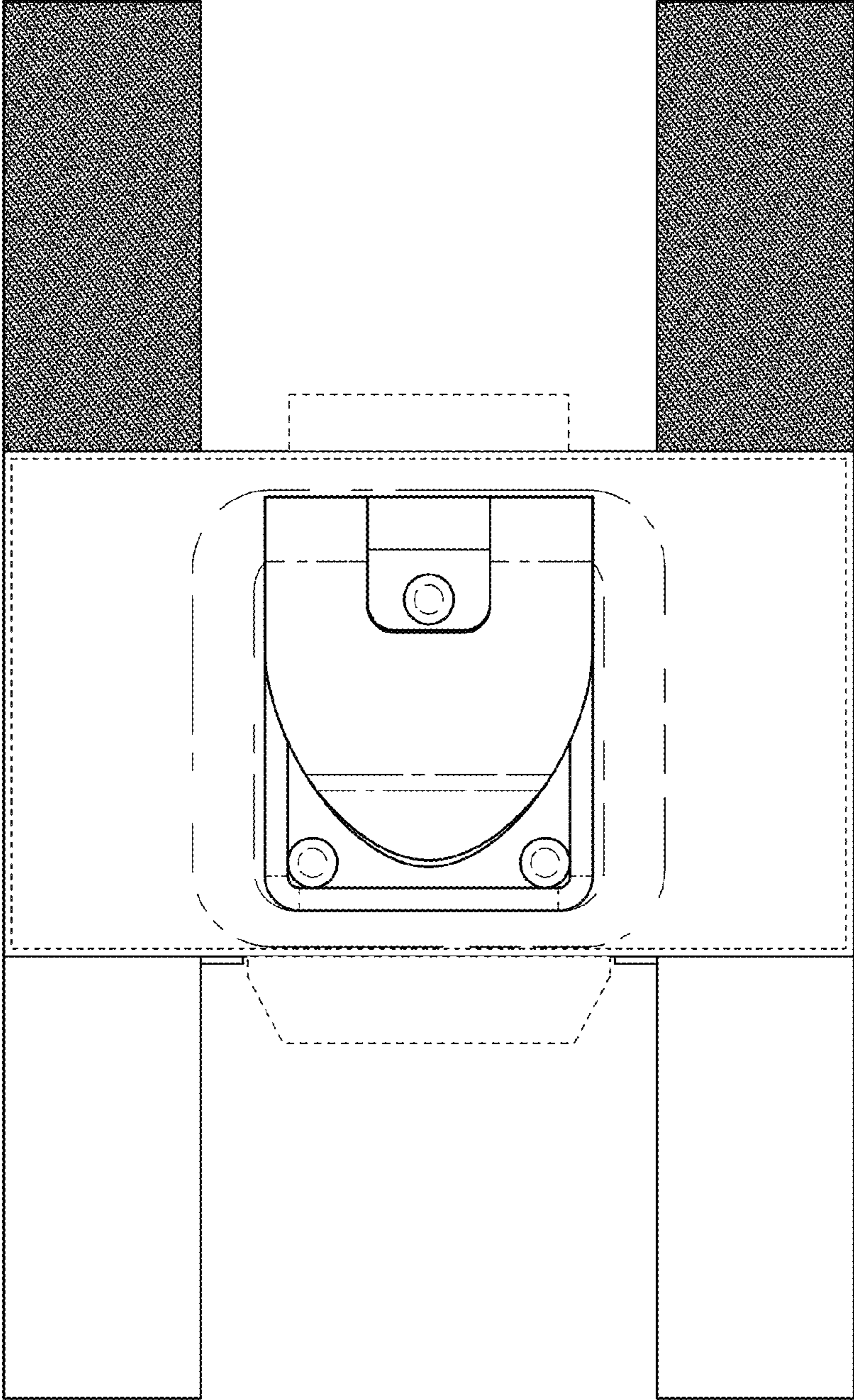


FIG. 10

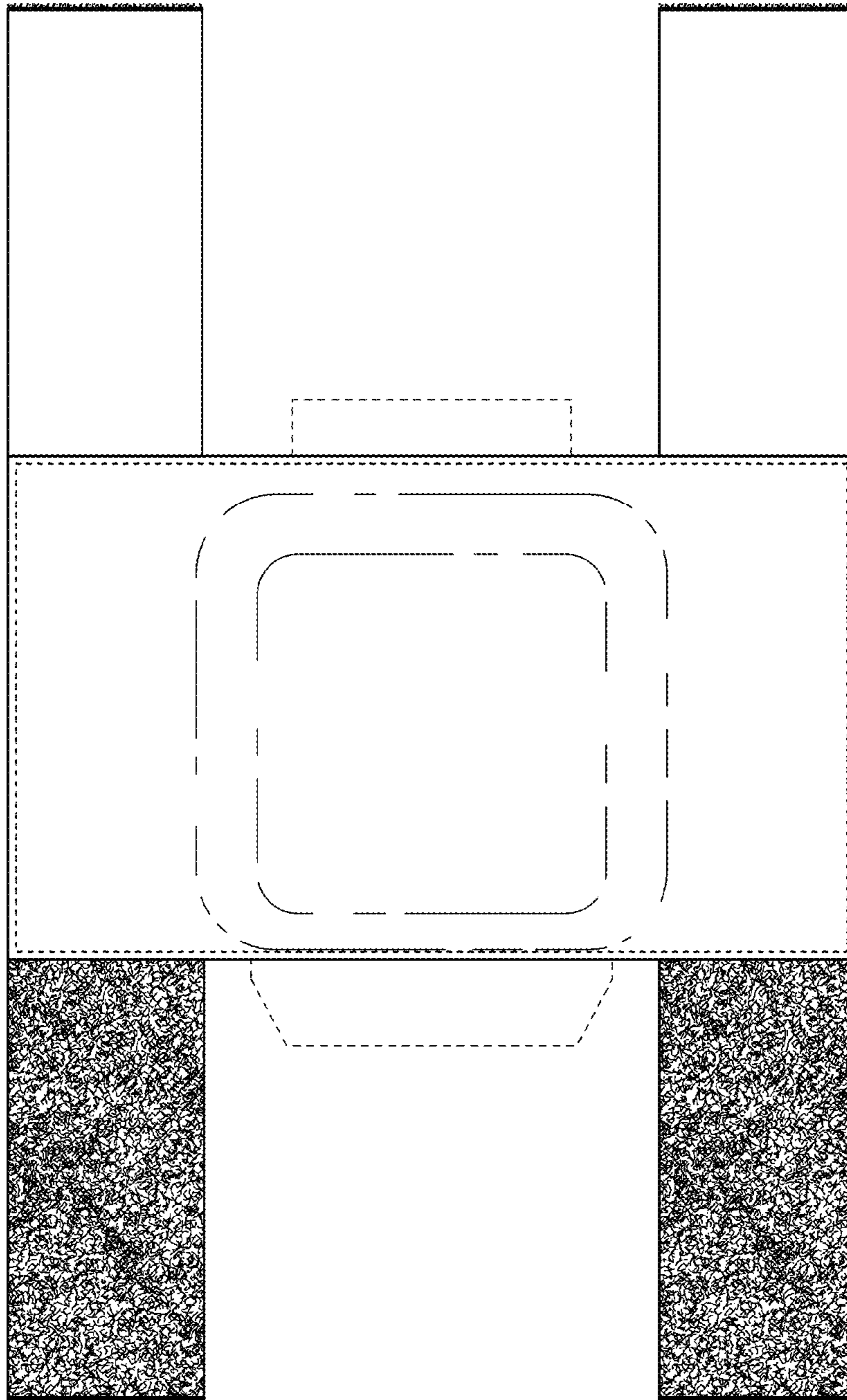


FIG. 11

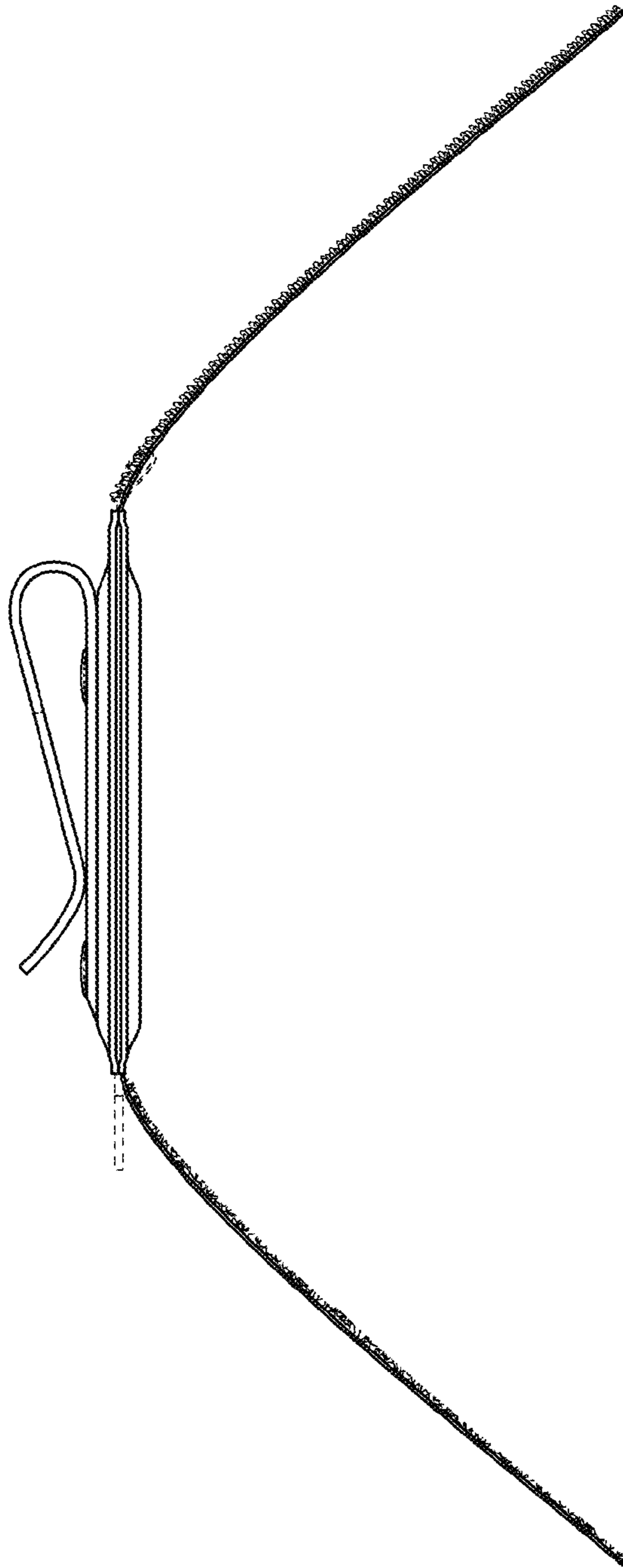


FIG. 12

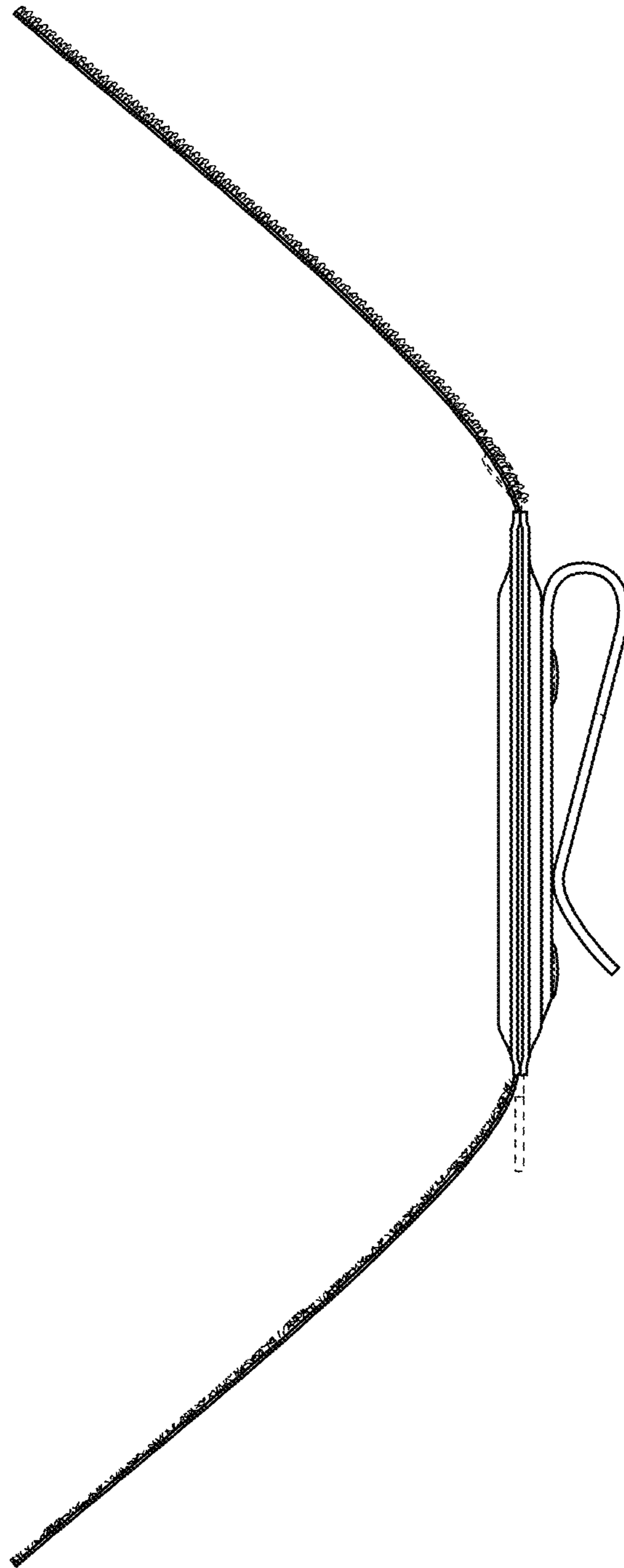


FIG. 13

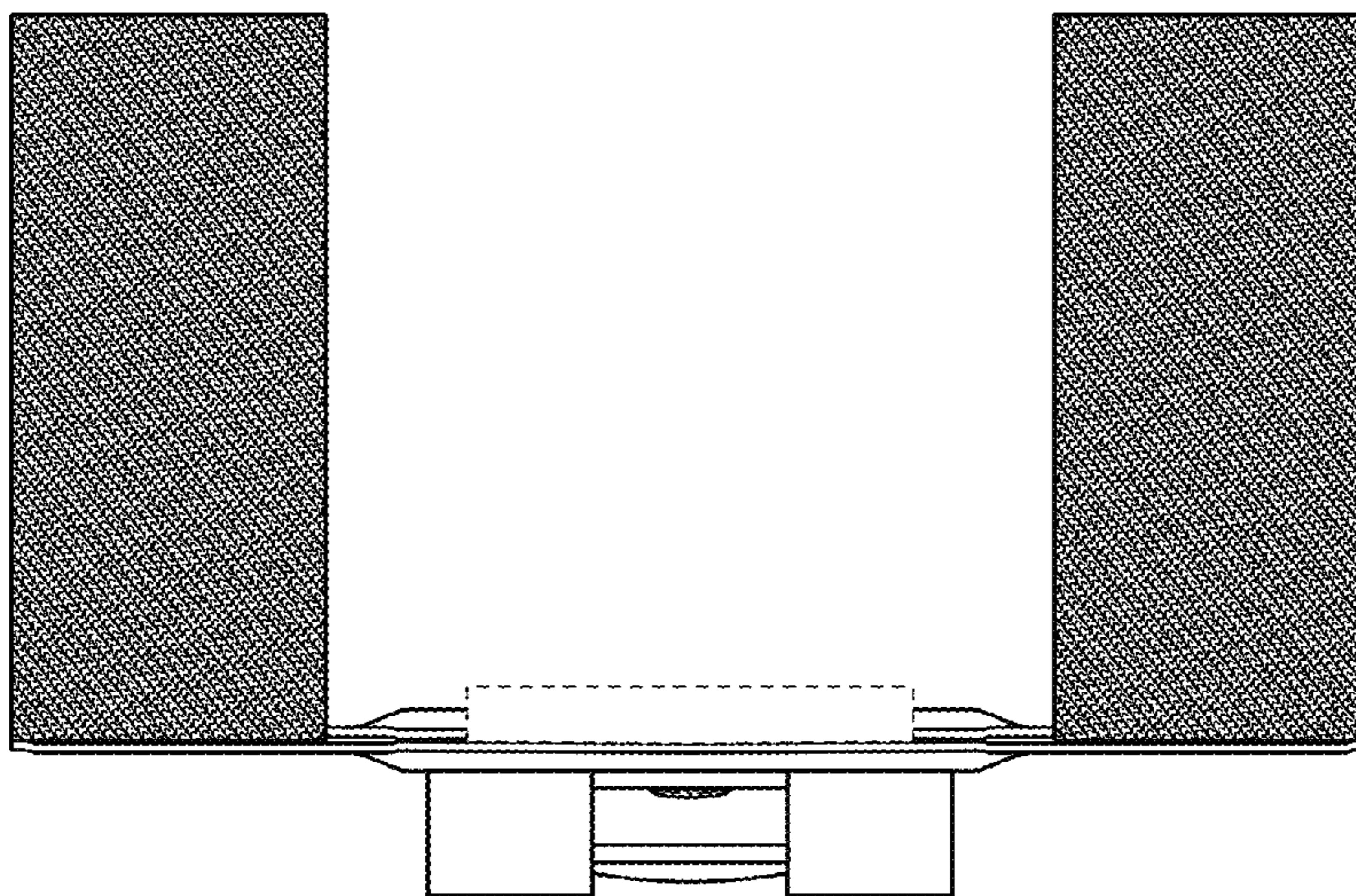


FIG. 14

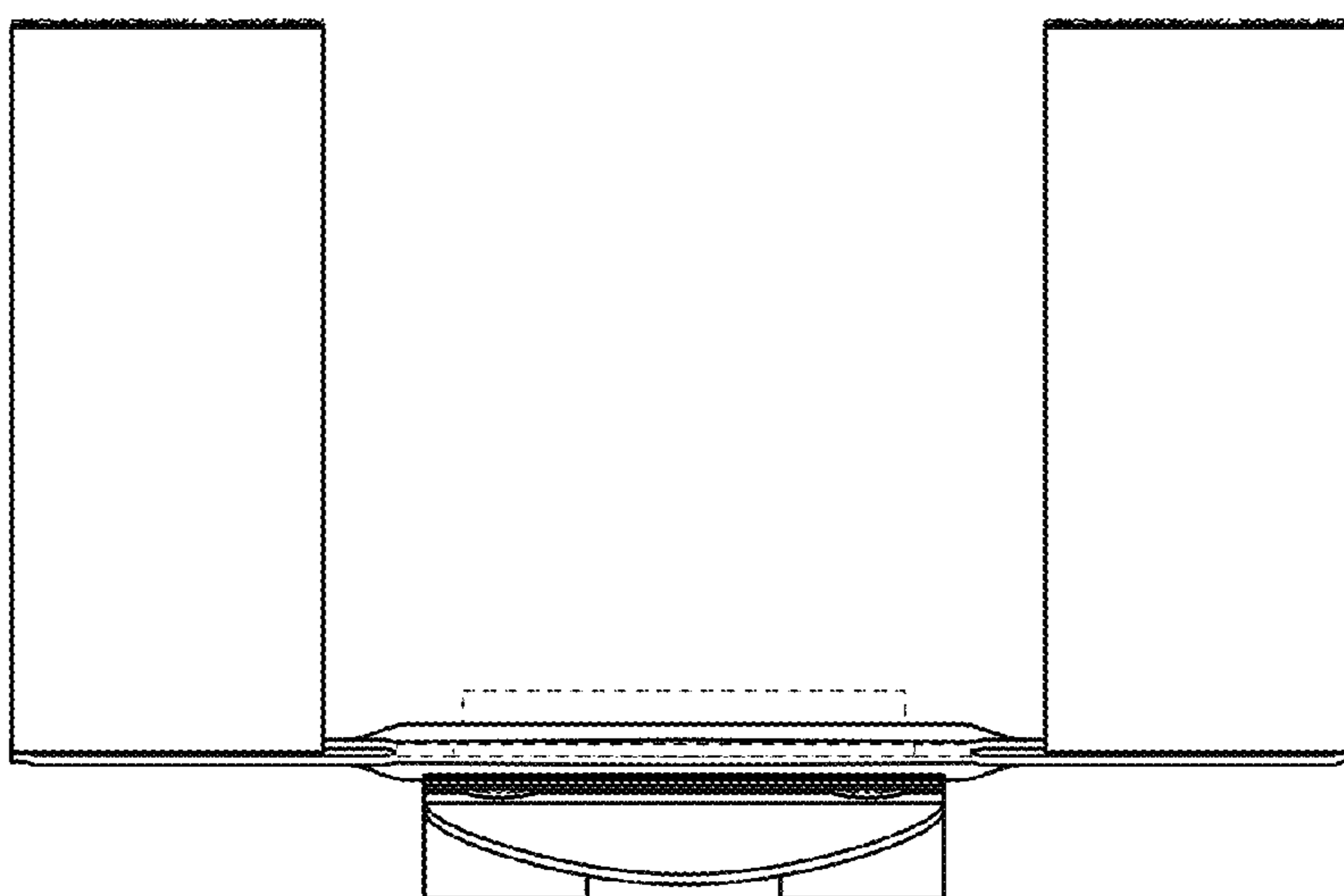


FIG. 15

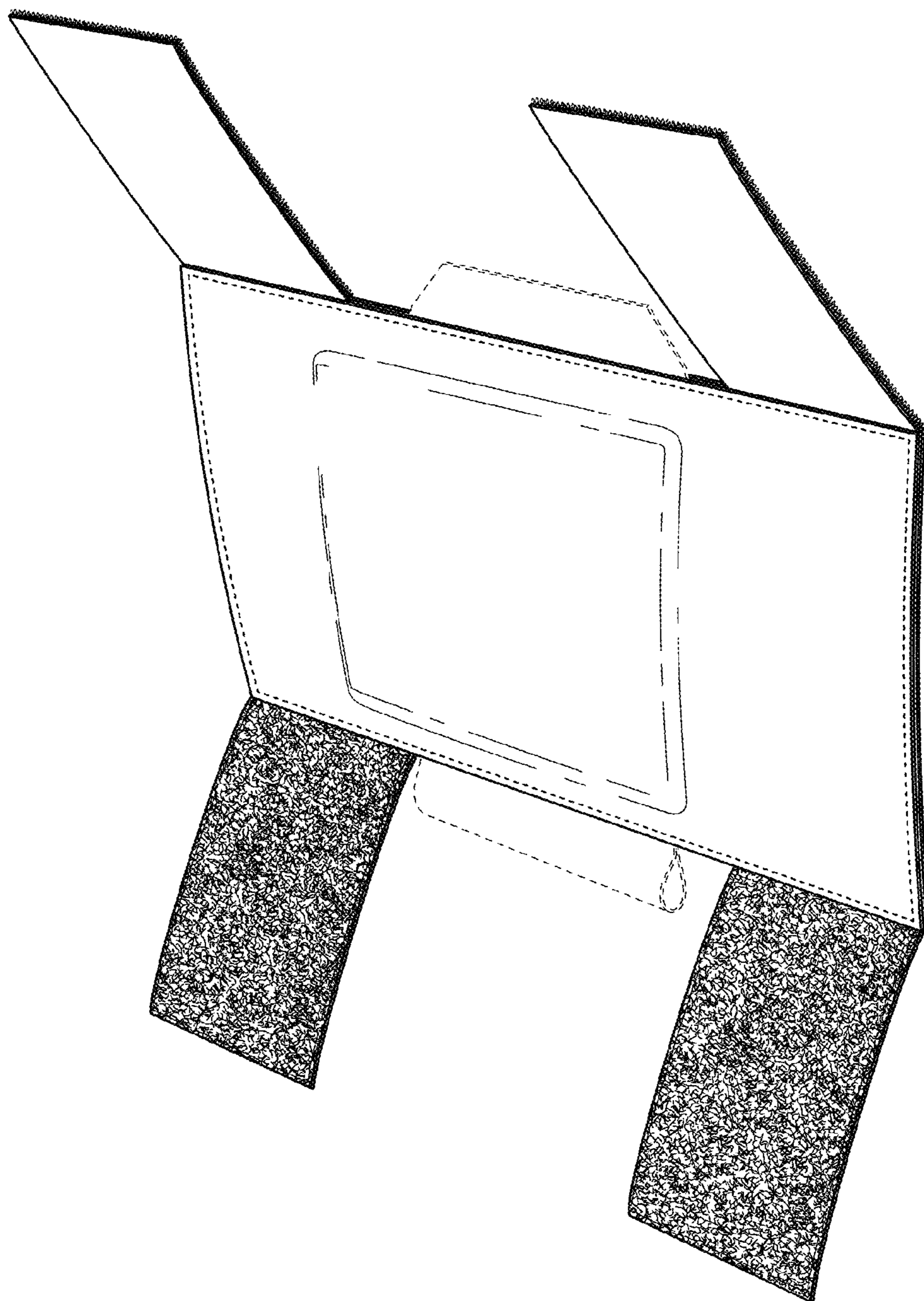


FIG. 16

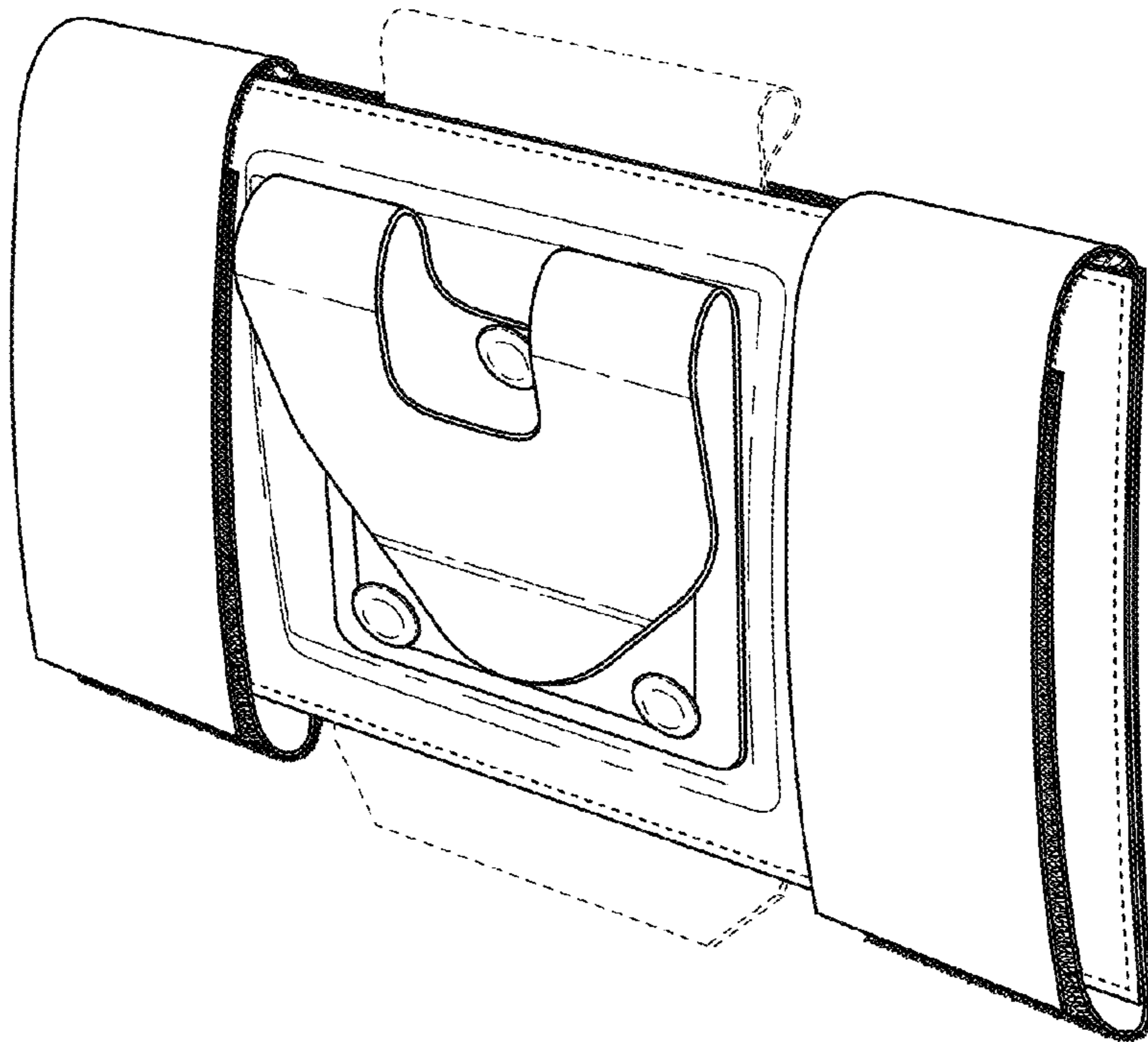


FIG. 17

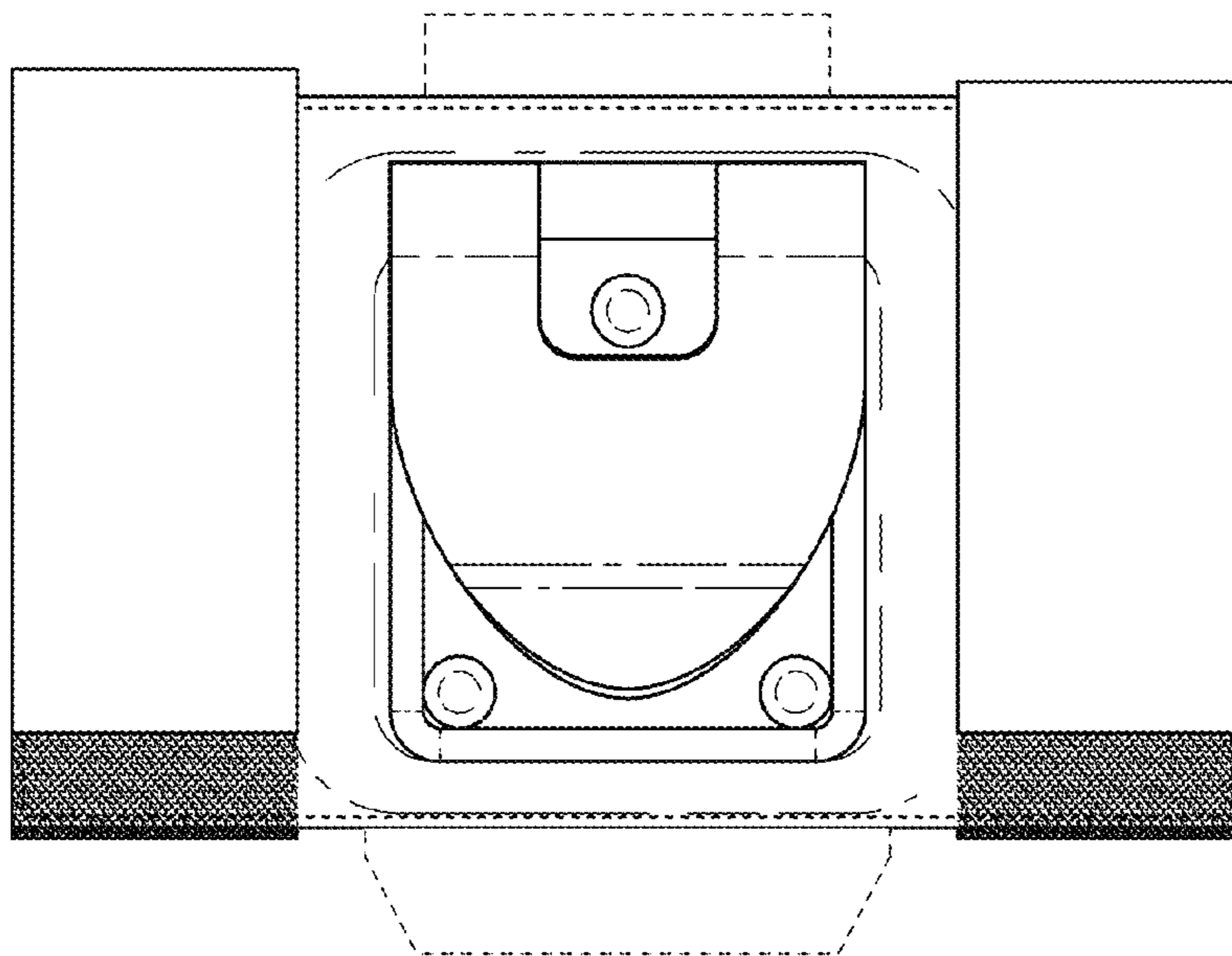


FIG. 18

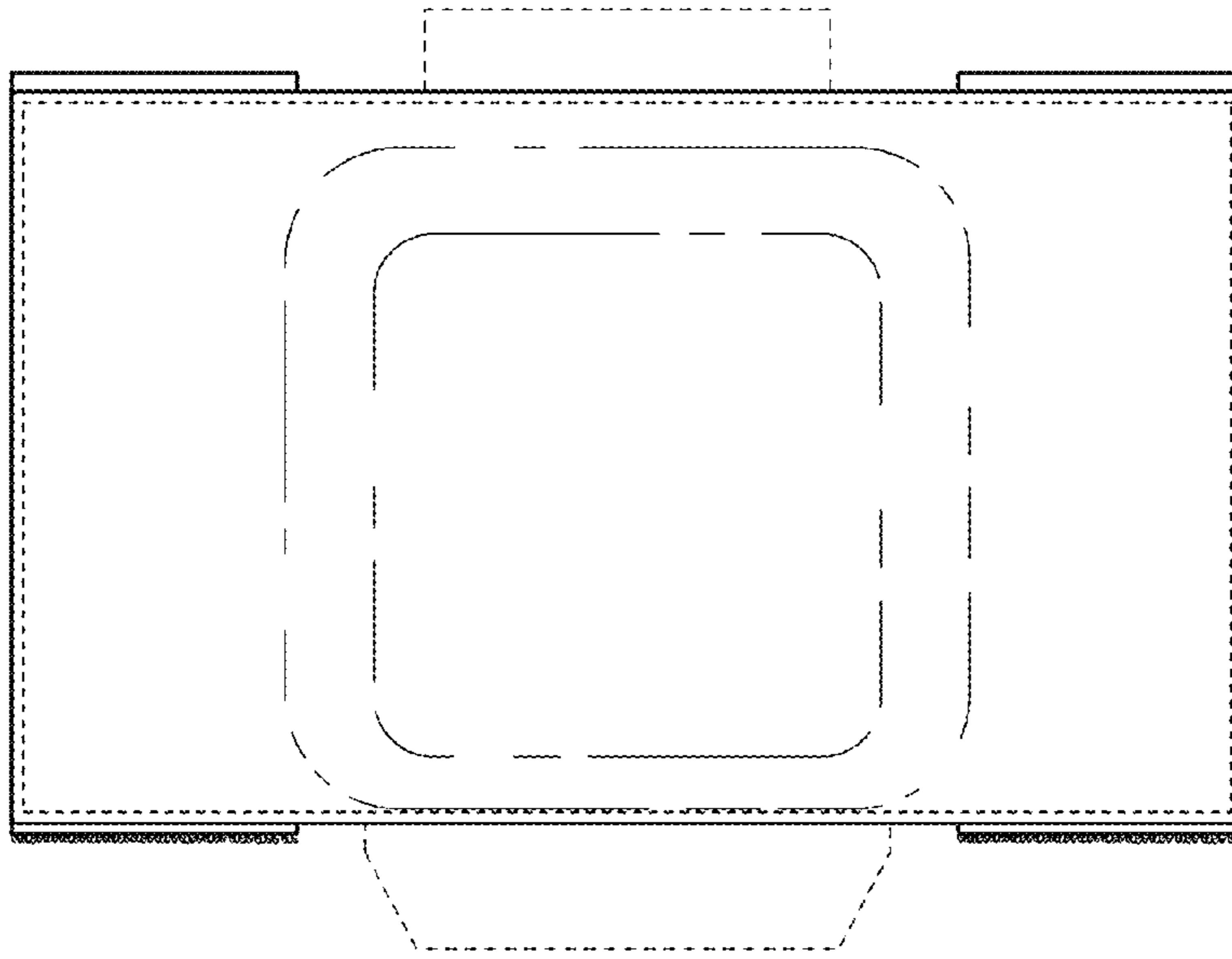


FIG. 19

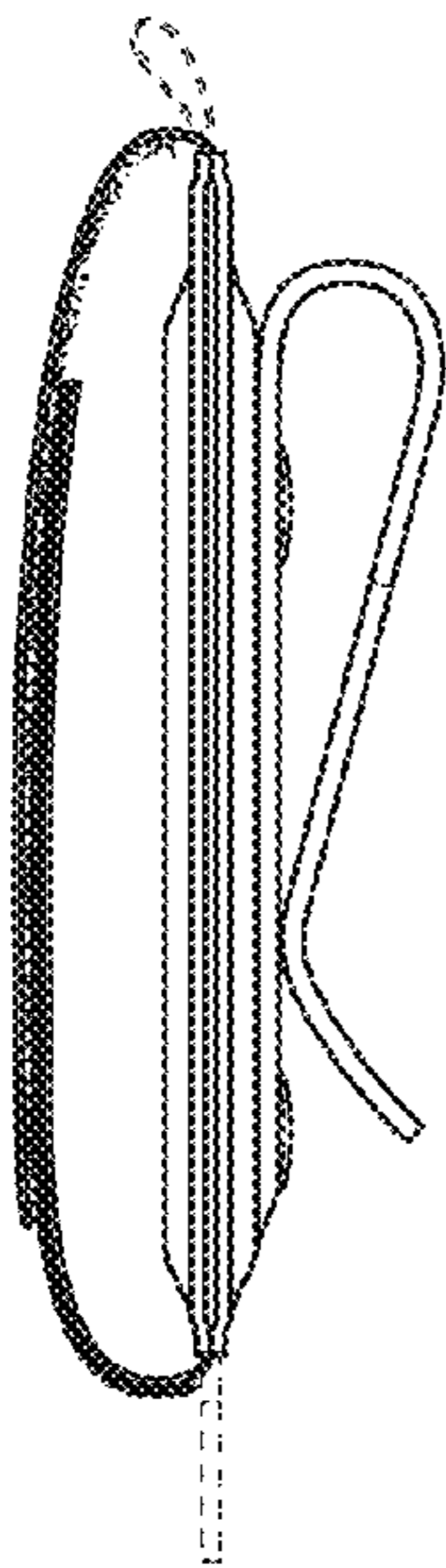


FIG. 20

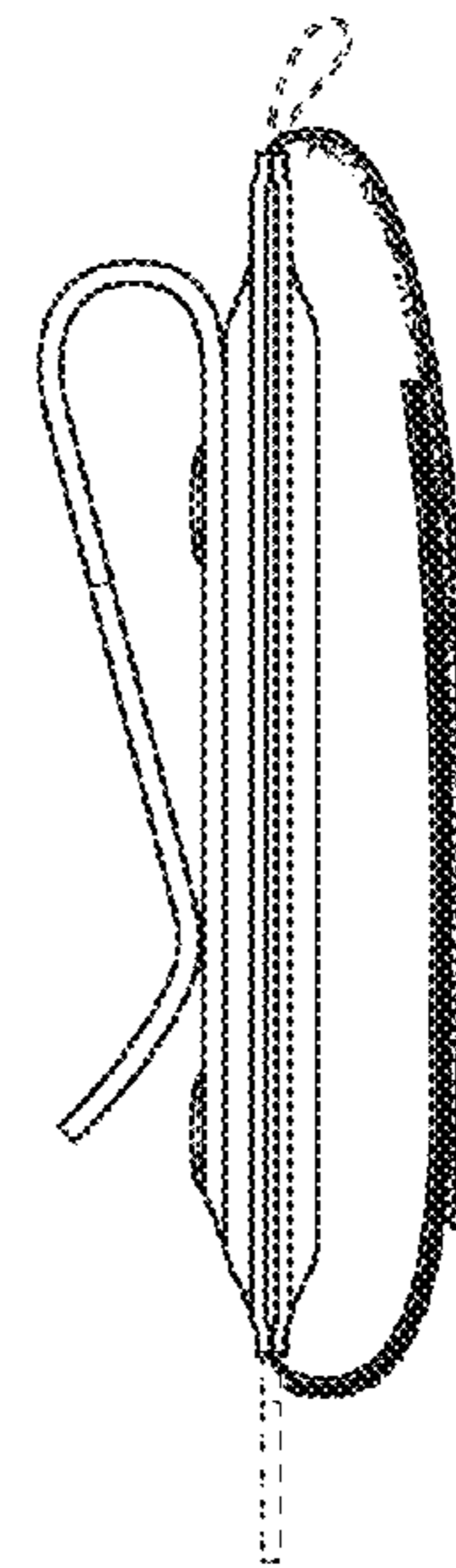


FIG. 21

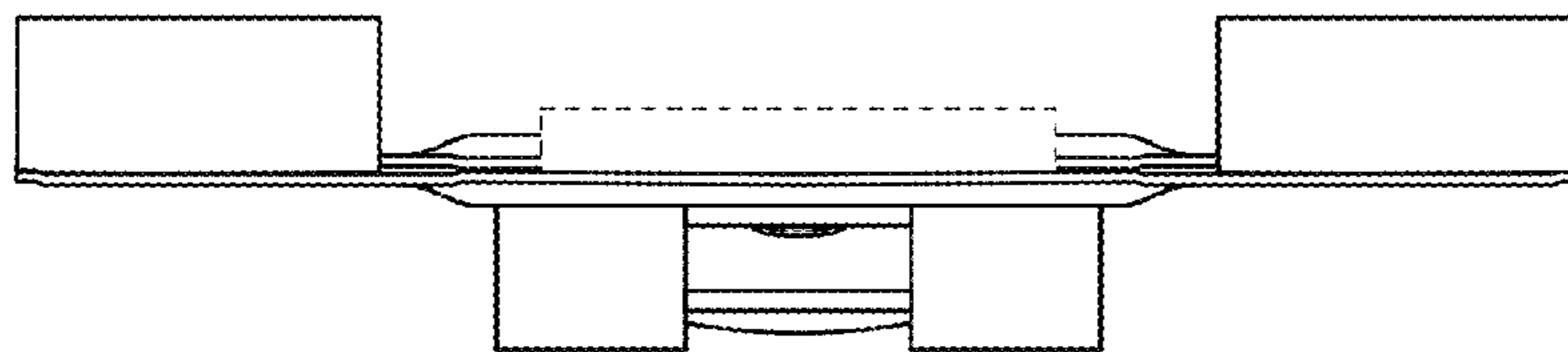


FIG. 22

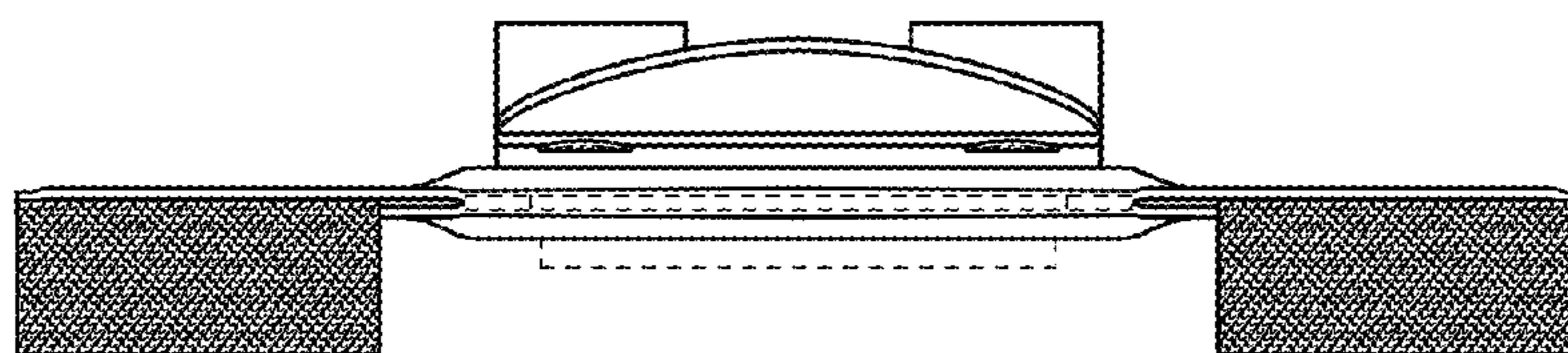


FIG. 23

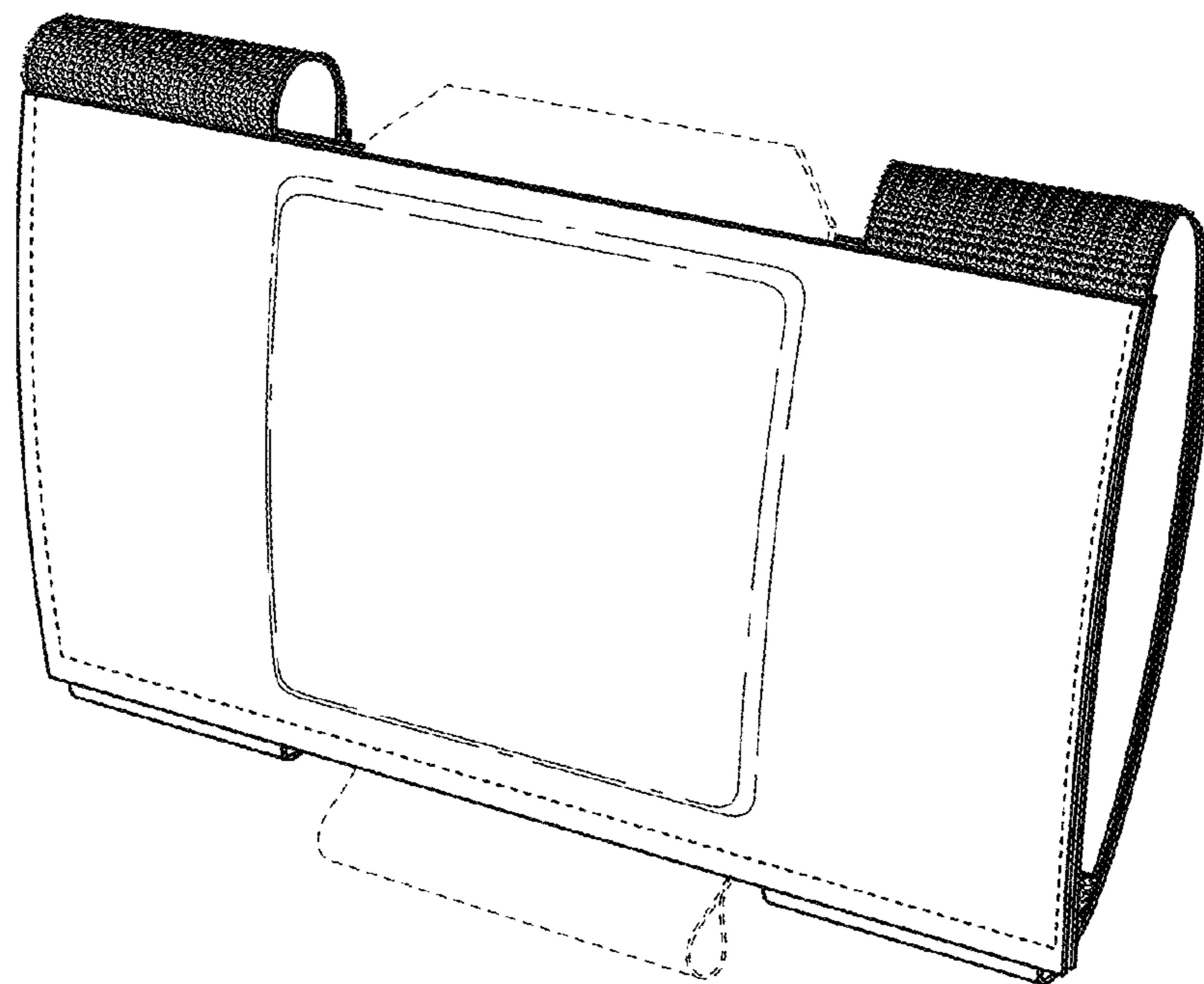


FIG. 24