



US00D718929S

(12) **United States Design Patent**  
**Knez**

(10) **Patent No.:** **US D718,929 S**

(45) **Date of Patent:** **\*\* Dec. 9, 2014**

(54) **COMBINED TAPE DISPENSER AND KNIFE  
HOLSTER**

Kraft Tools Drywall Tape Holder, product ID 19905, located at www.lewiscontractorsales.com, Dec. 6, 2013, 2 pp.

(71) Applicant: **Sunset Drywall Company**, Craig, CO (US)

\* cited by examiner

(72) Inventor: **Mike Knez**, Craig, CO (US)

*Primary Examiner* — Catheri Oliver-Garcia

(73) Assignee: **Sunset Drywall Company**, Craig, CO (US)

(74) *Attorney, Agent, or Firm* — Mark D. Trenner; Trenner Law Firm, LLC

(\*\*) Term: **14 Years**

(57) **CLAIM**

The ornamental design for a combined tape dispenser and knife holster, as shown and described.

(21) Appl. No.: **29/487,625**

(22) Filed: **Apr. 10, 2014**

**DESCRIPTION**

(51) **LOC (10) Cl.** ..... **03-01**

(52) **U.S. Cl.**  
USPC ..... **D3/228; D3/220**

(58) **Field of Classification Search**  
USPC ..... D3/228, 220, 215, 230, 219;  
224/240–241, 245, 255; 225/20, 25,  
225/78, 90

See application file for complete search history.

FIG. 1 is a perspective view of the combined tape dispenser and knife holster design shown as it may be worn on a user's belt to hold a roll of tape and a razor blade knife, wherein the user's belt, roll of tape, and razor blade knife do not form part of the design and are thus shown by "broken" lines;

FIG. 2 is a perspective view of the design corresponding to FIG. 1;

FIG. 3 is a front view of the design corresponding to FIG. 1; FIG. 4 is a rear view of the design corresponding to FIG. 1; FIG. 5 is a right side view of the design corresponding to FIG. 1, wherein the left side view is a mirror image of the right side view;

FIG. 6 is a top view of the design corresponding to FIG. 1; and FIG. 7 is a bottom view of the design corresponding to FIG. 1; and,

FIG. 8 is a perspective view of the combined tape dispenser and knife holster design shown as it may be worn on a user's pants or shirt pocket to hold a roll of tape and a razor blade knife, wherein the user's pocket, roll of tape, and razor blade knife do not form part of the design and are thus shown by "broken" lines.

(56) **References Cited**

**U.S. PATENT DOCUMENTS**

5,641,109	A *	6/1997	Willoughby	225/20
5,687,892	A *	11/1997	Johns	224/268
D630,842	S *	1/2011	Fonseca	D3/228
D657,138	S *	4/2012	Wetzel	D3/228
2004/0262360	A1	12/2004	Kaplan	
2005/0034415	A1	2/2005	Laplante	
2005/0092441	A1	5/2005	Pfefferkorn	
2009/0044395	A1	2/2009	Goldman	
2011/0108588	A1	5/2011	Bar	
2012/0104057	A1	5/2012	Gerrior	

**OTHER PUBLICATIONS**

Goldblatt Drywall Tape Holder, product ID 317-05221, located at www.waresdirect.com, Dec. 6, 2013, 3 pp.

**1 Claim, 4 Drawing Sheets**

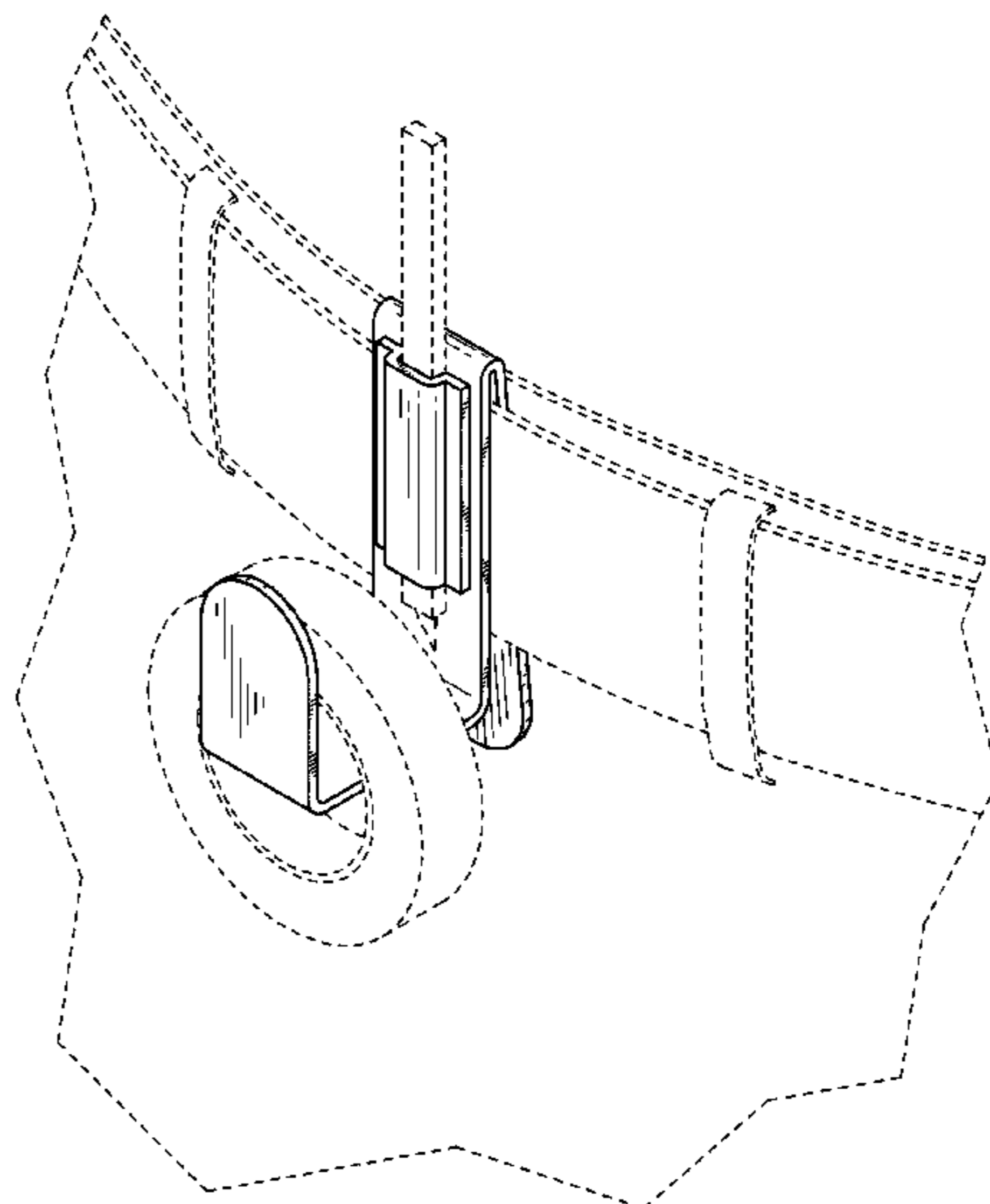


FIG. 1

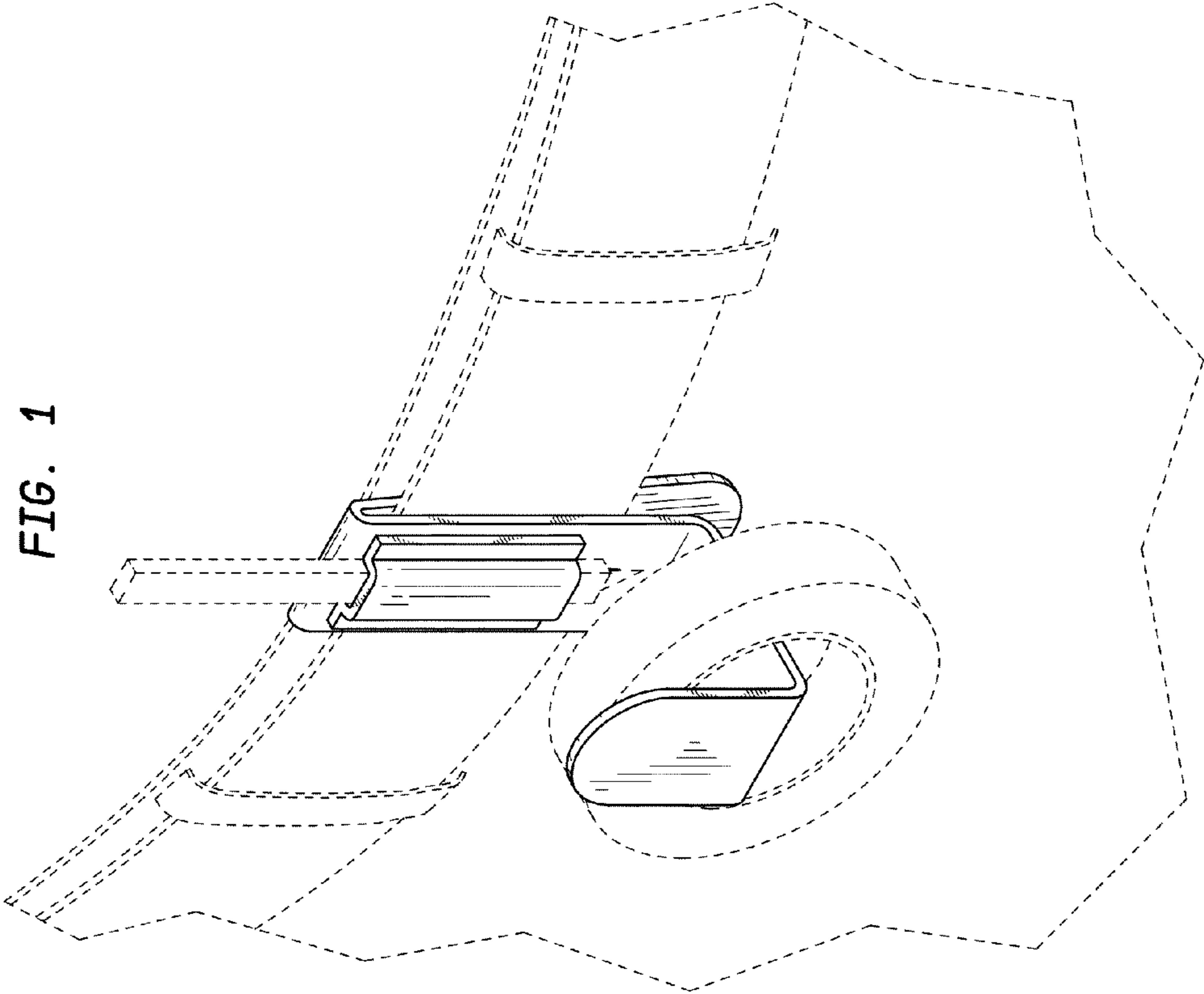


FIG. 2

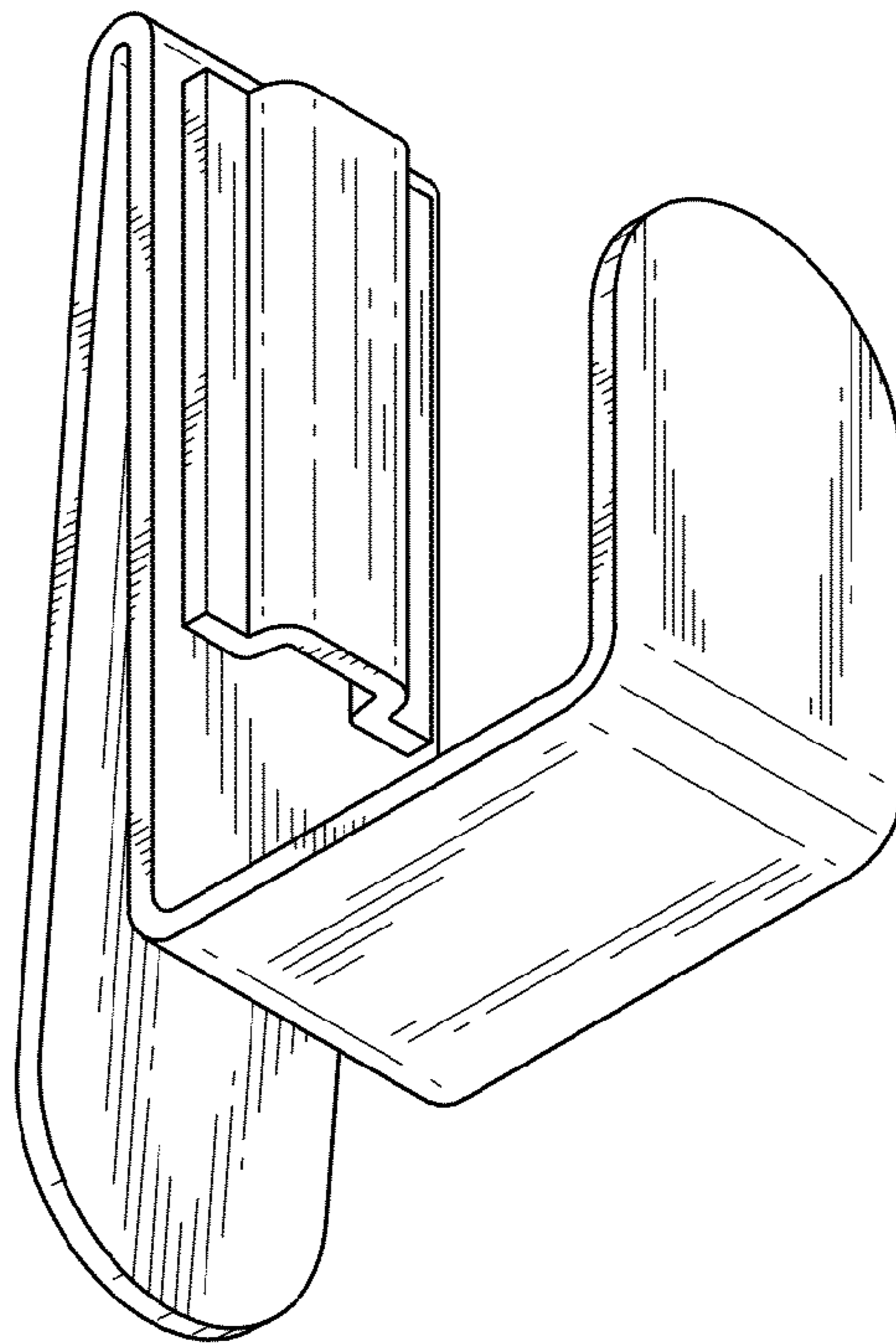


FIG. 3

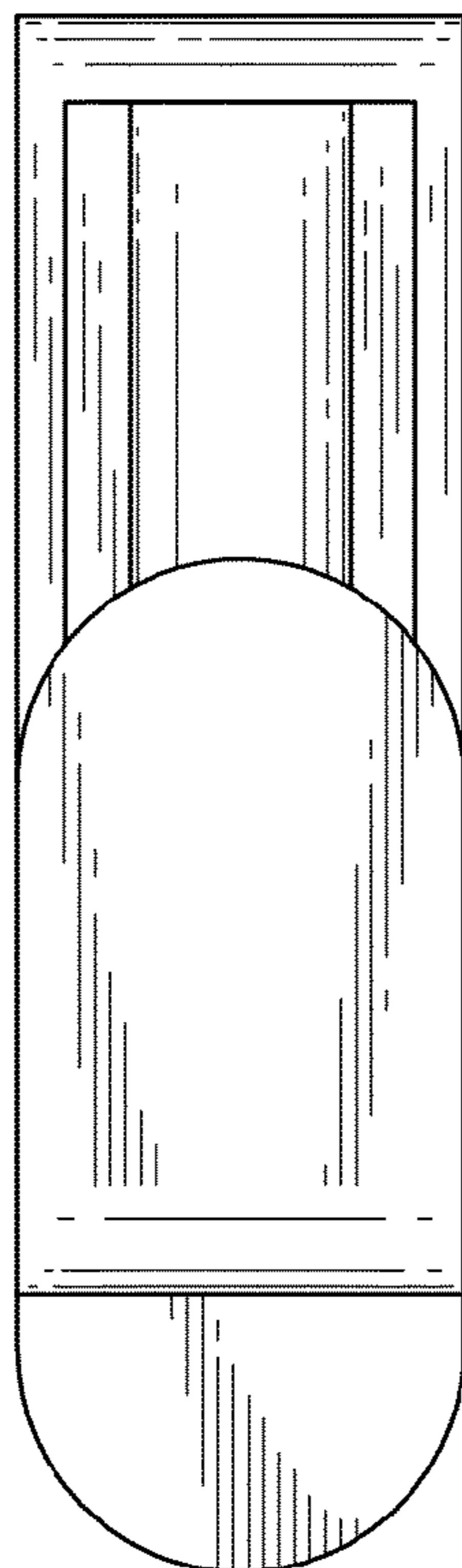


FIG. 4



FIG. 5

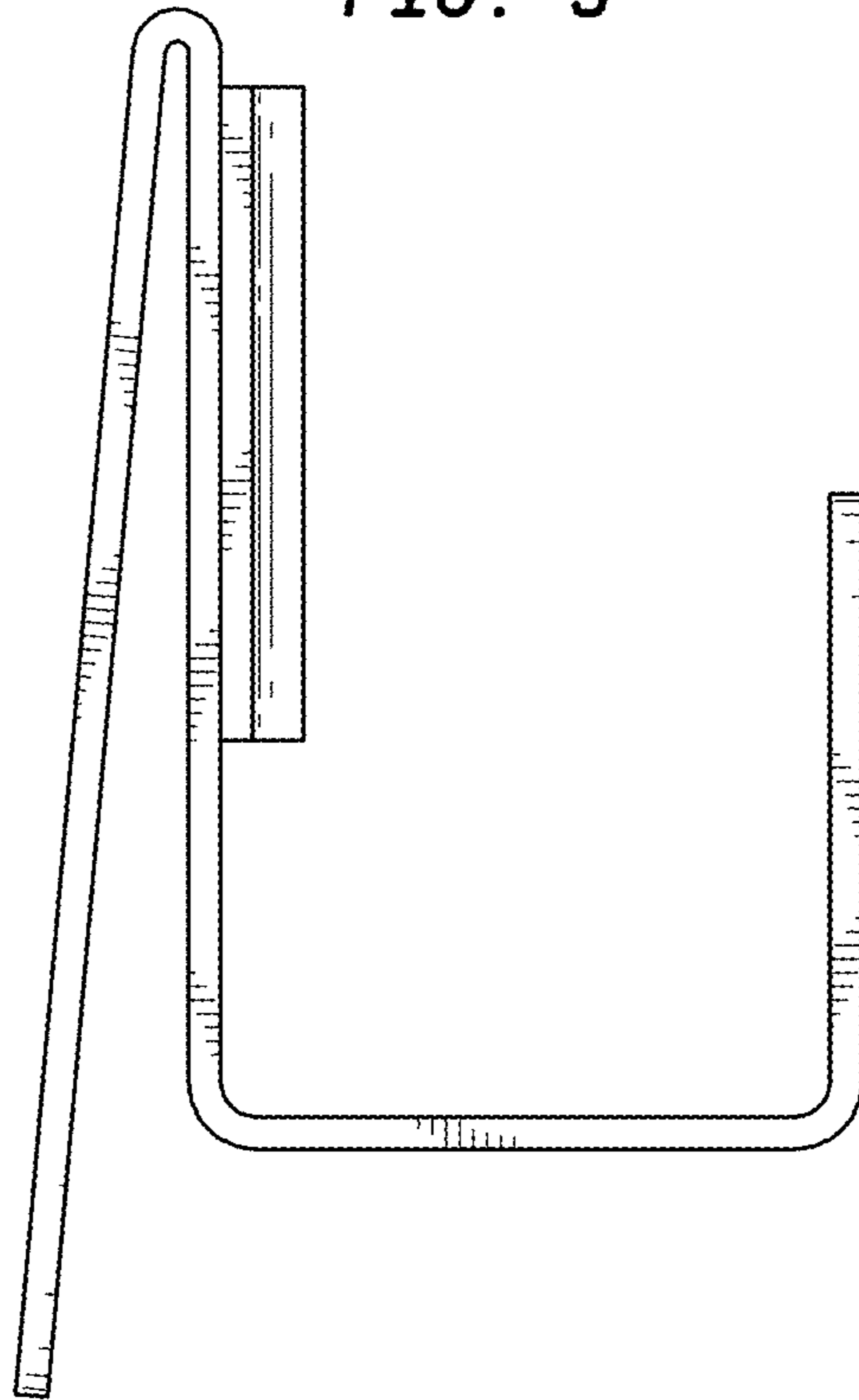


FIG. 6

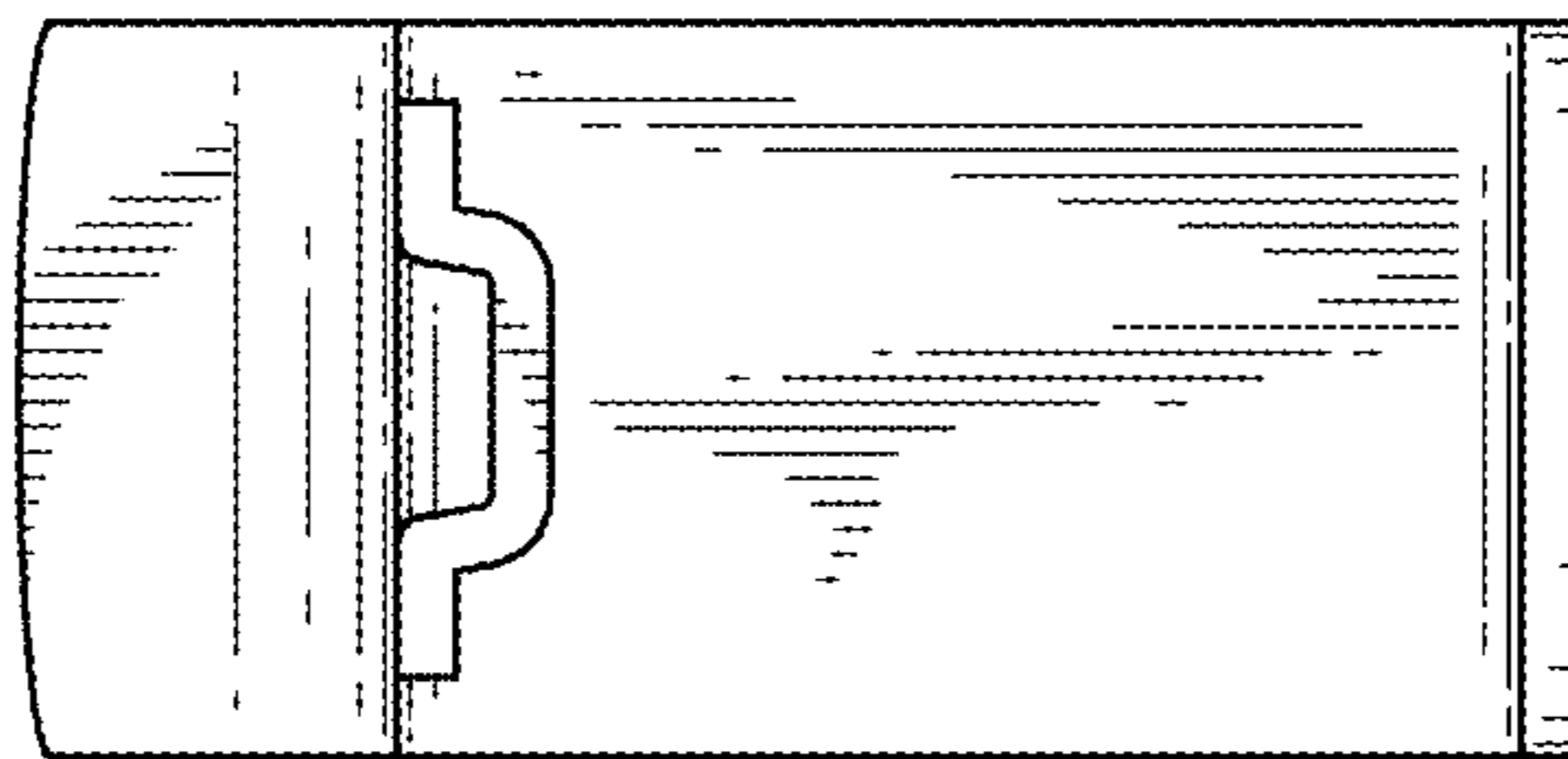


FIG. 7



FIG. 8

