



US00D718923S

(12) **United States Design Patent**  
**Lai**

(10) **Patent No.:** **US D718,923 S**

(45) **Date of Patent:** **\*\* Dec. 9, 2014**

(54) **PILL BOX**

D587,898 S \* 3/2009 Cetera ..... D3/203.2

(71) Applicant: **Hon Hai Precision Industry Co., Ltd.**,  
New Taipei (TW)

\* cited by examiner

(72) Inventor: **Kuo-Ming Lai**, New Taipei (TW)

*Primary Examiner* — Catheri Oliver-Garcia

(73) Assignee: **Hon Hai Precision Industry Co., Ltd.**,  
New Taipei (TW)

(74) *Attorney, Agent, or Firm* — Novak Druce Connolly  
Bove + Quigg LLP

(\*\*) Term: **14 Years**

(57) **CLAIM**

The ornamental design for a pill box, as shown and described.

(21) Appl. No.: **29/466,846**

**DESCRIPTION**

(22) Filed: **Sep. 12, 2013**

FIG. 1 is a perspective view of a pill box showing my new design.

(30) **Foreign Application Priority Data**

Apr. 12, 2013 (TW) ..... 102302640

FIG. 2 is a front elevational view thereof.

(51) **LOC (10) Cl.** ..... **03-01**

FIG. 3 is a rear elevational view thereof.

(52) **U.S. Cl.**

USPC ..... **D3/203.2**

FIG. 4 is a left side elevational view thereof.

(58) **Field of Classification Search**

USPC ..... D3/201–205; 206/528–540

FIG. 5 is a right side elevational view thereof.

See application file for complete search history.

FIG. 6 is a top plan view thereof.

(56) **References Cited**

**U.S. PATENT DOCUMENTS**

D208,273 S \* 8/1967 Bundy ..... D3/203.2

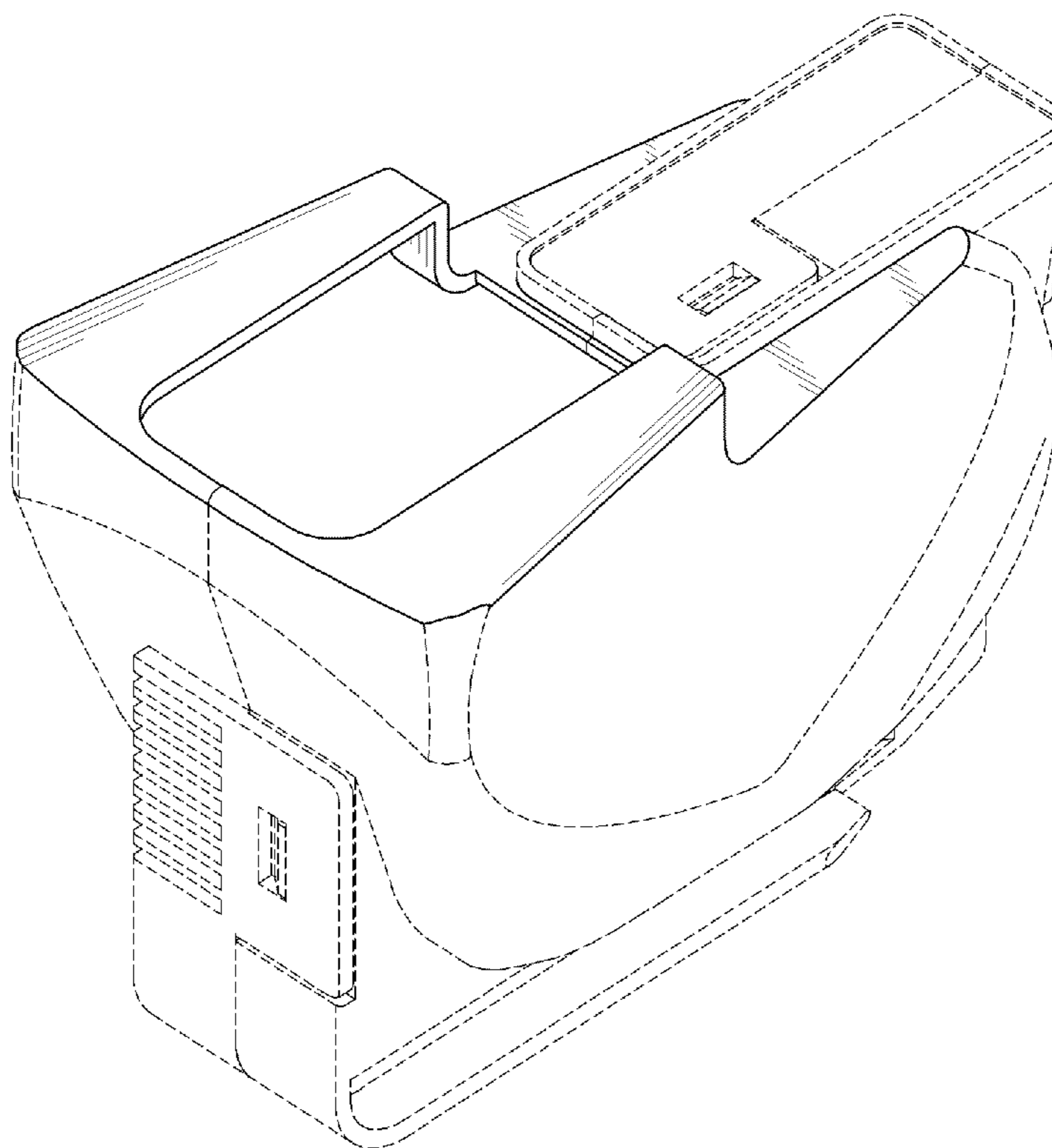
D274,040 S \* 5/1984 Ridgley ..... D3/203.3

FIG. 7 is a bottom plan view thereof; and,

FIG. 8 is a perspective view of another aspect of the “pill box”, showing parts of the “pill box” which is in a state of use. The broken lines shown in the figures form no part of the claimed design and the shade lines in the figures show contour and not surface ornamentation.

The pill box is intended to be used to accommodate a plurality of pills and can be installed in an automatic pill dispensing machine.

**1 Claim, 8 Drawing Sheets**



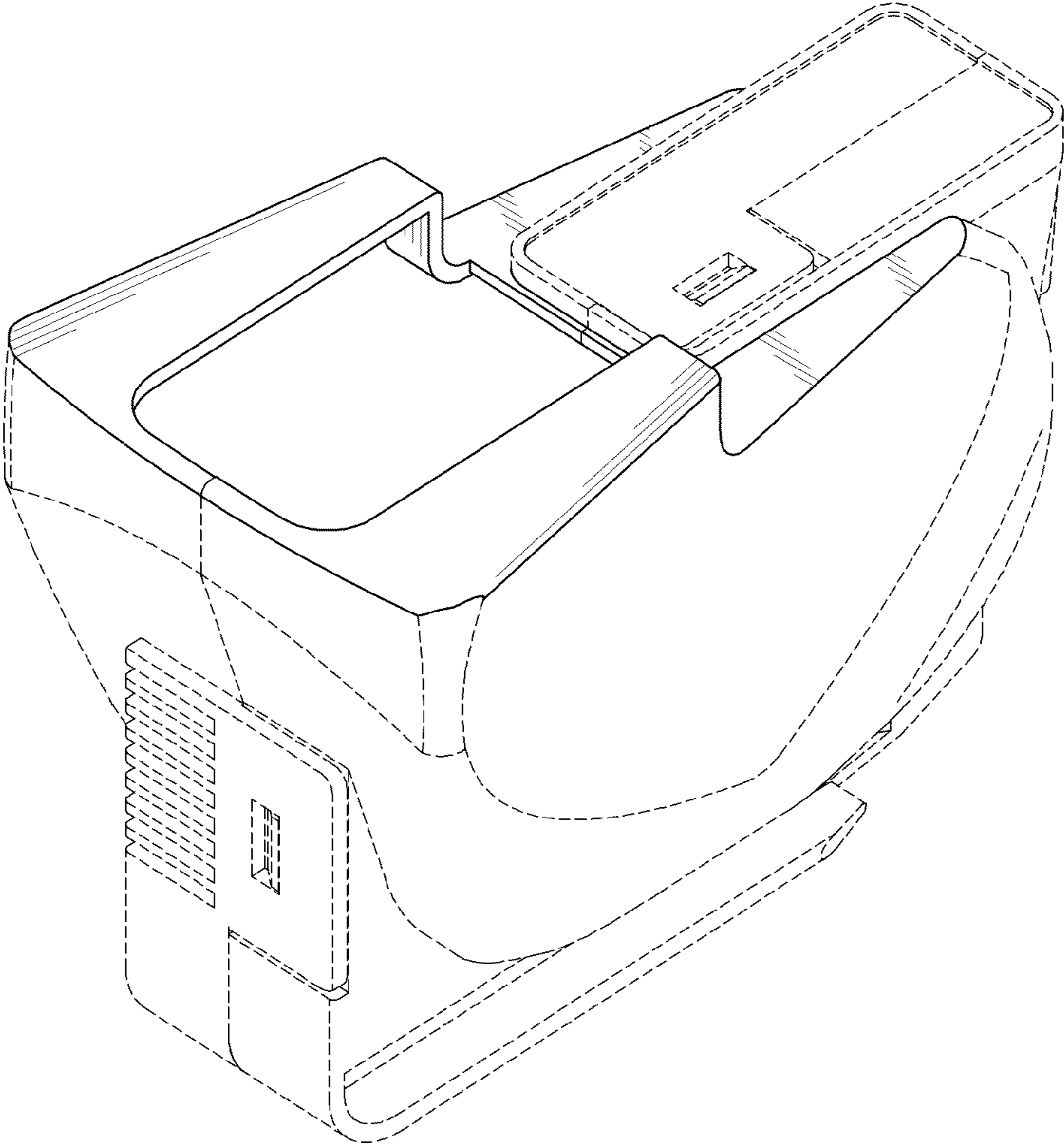


FIG. 1

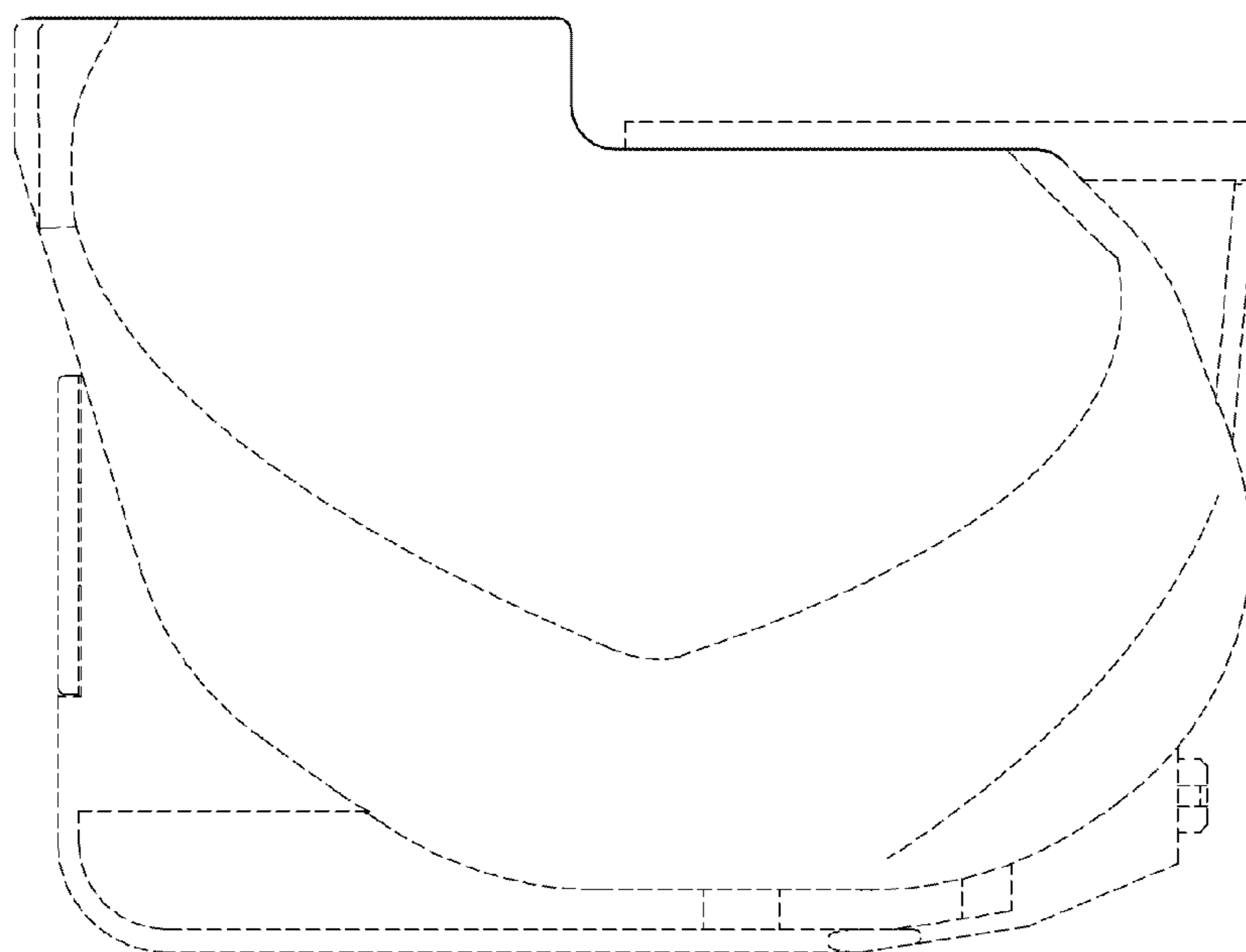


FIG. 2

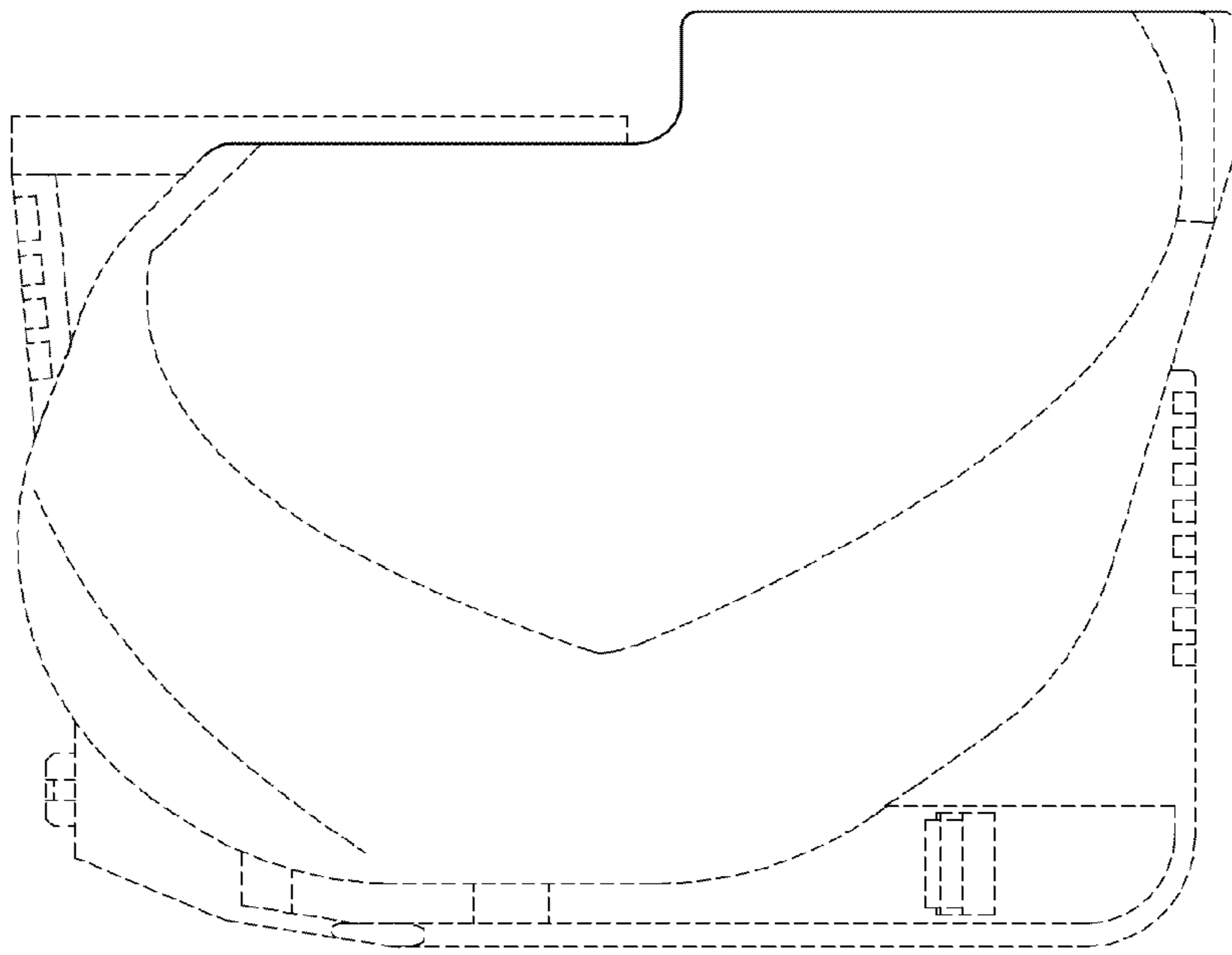


FIG. 3

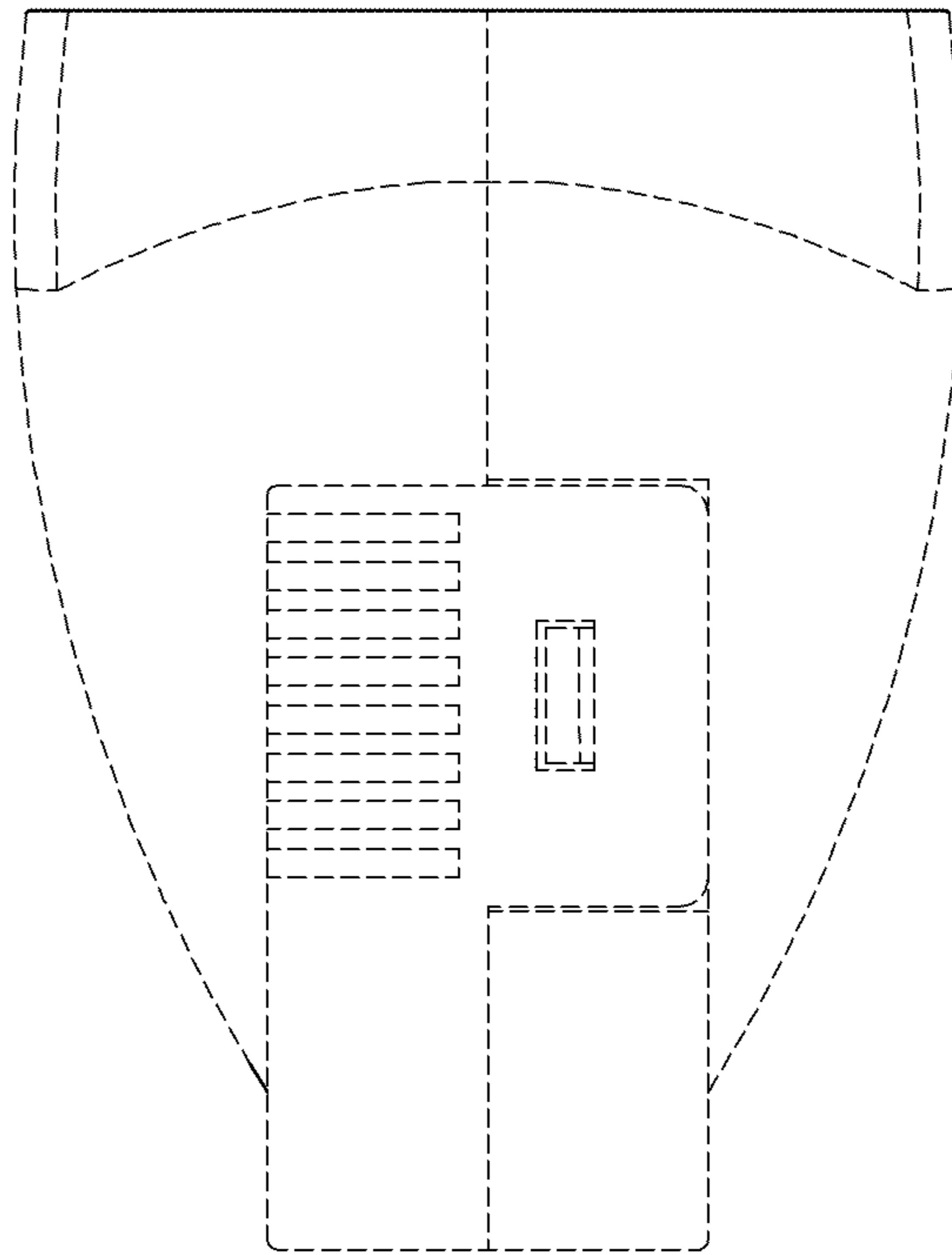


FIG. 4

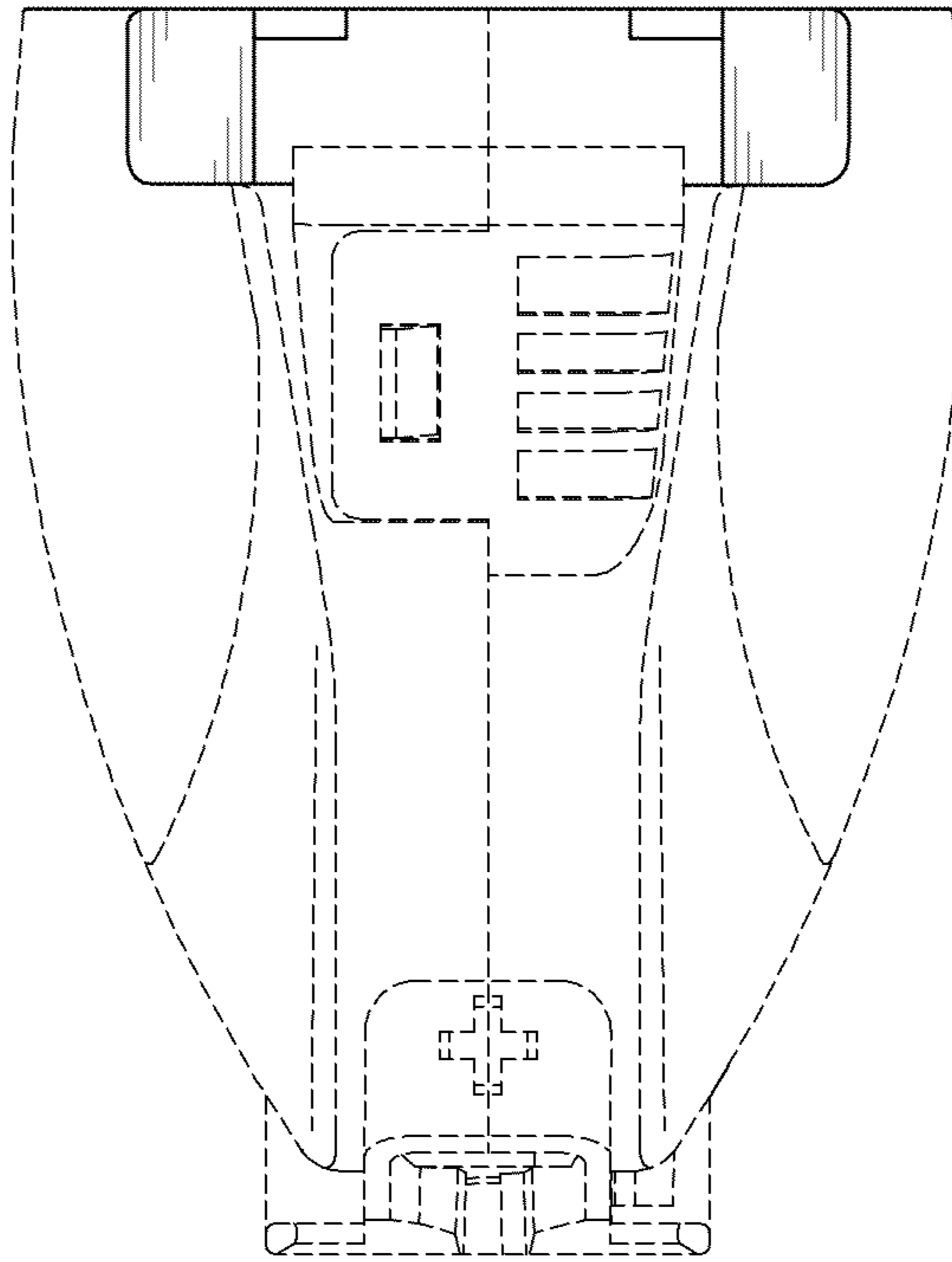


FIG. 5

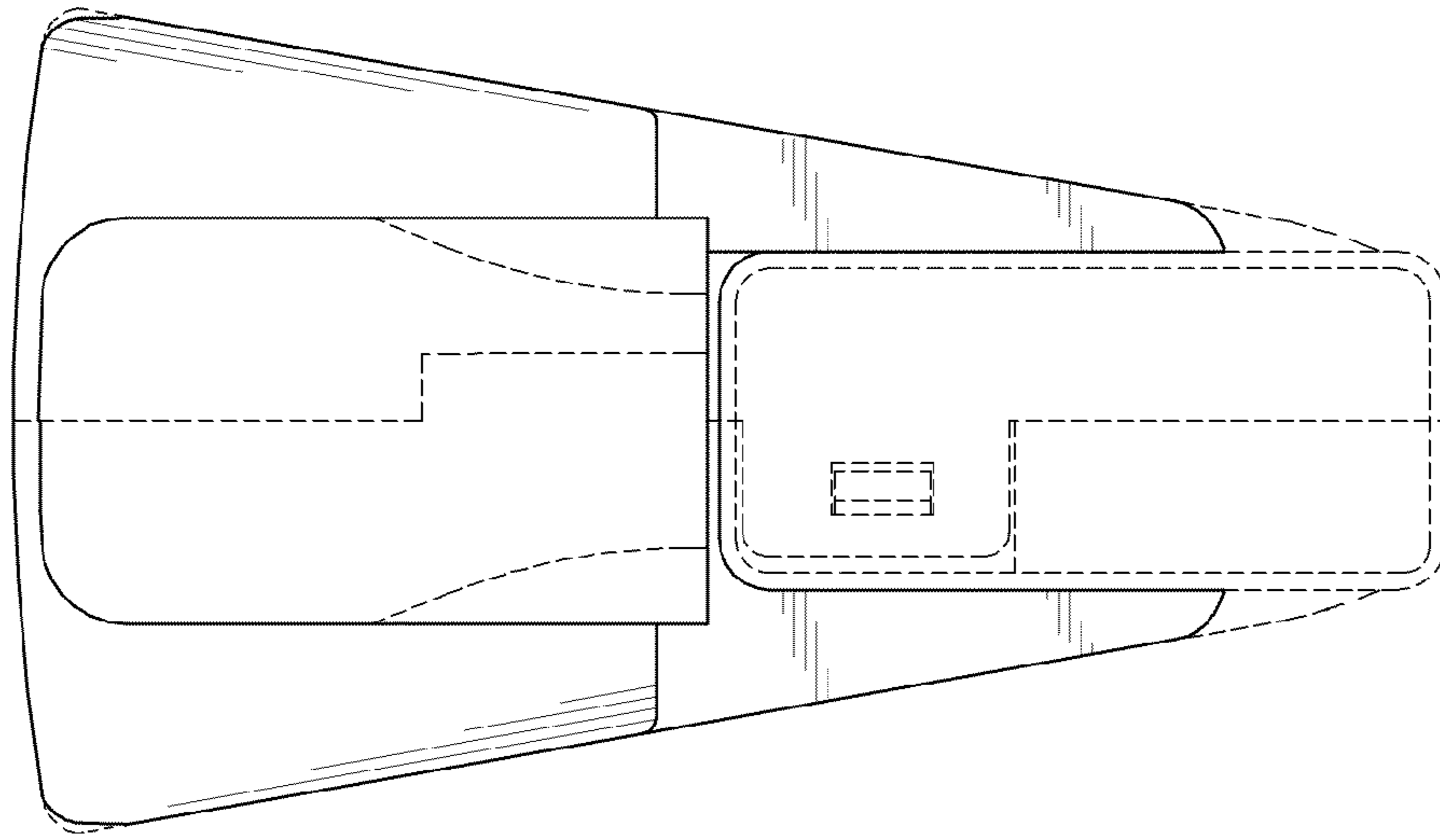


FIG. 6

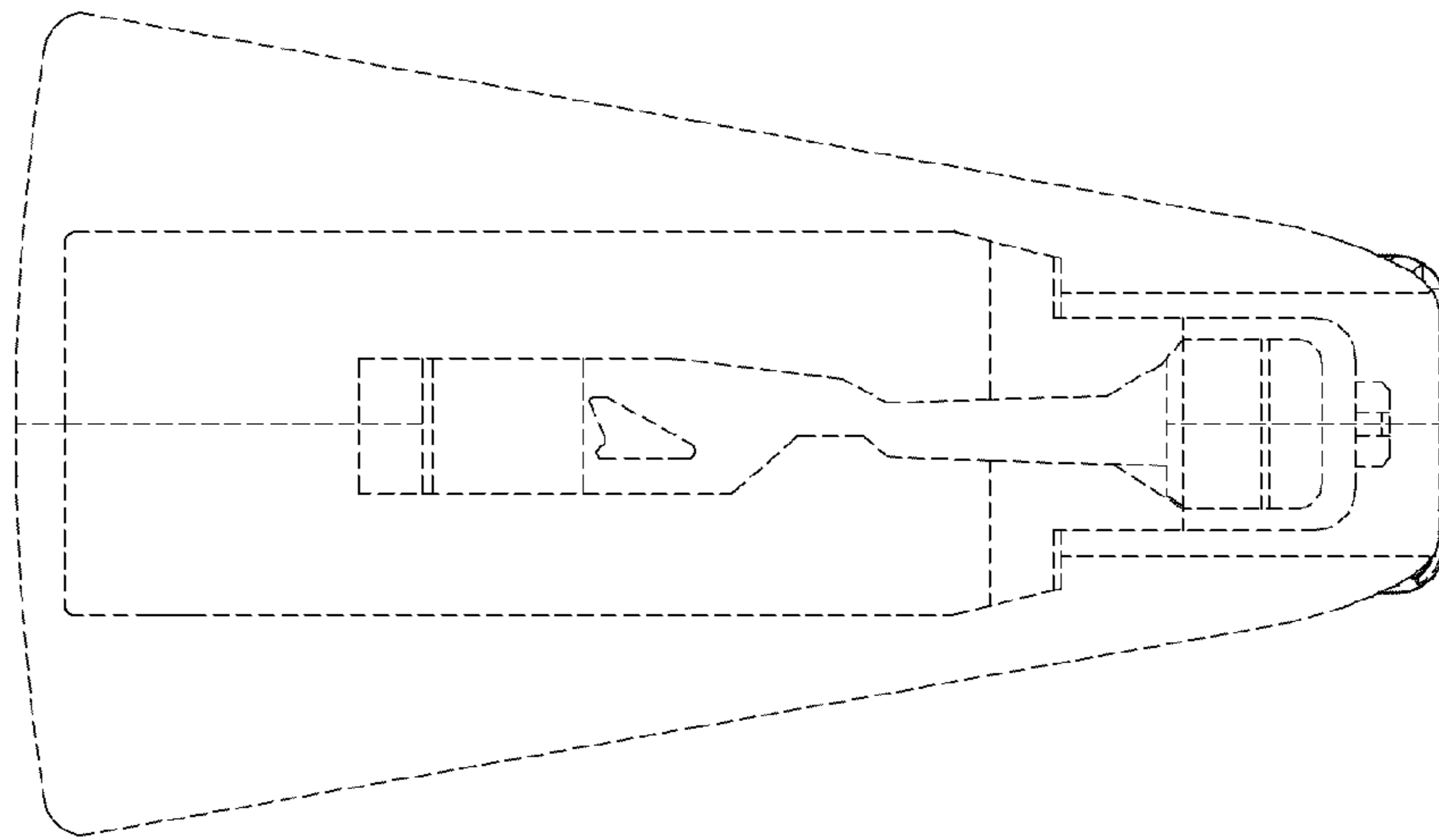


FIG. 7



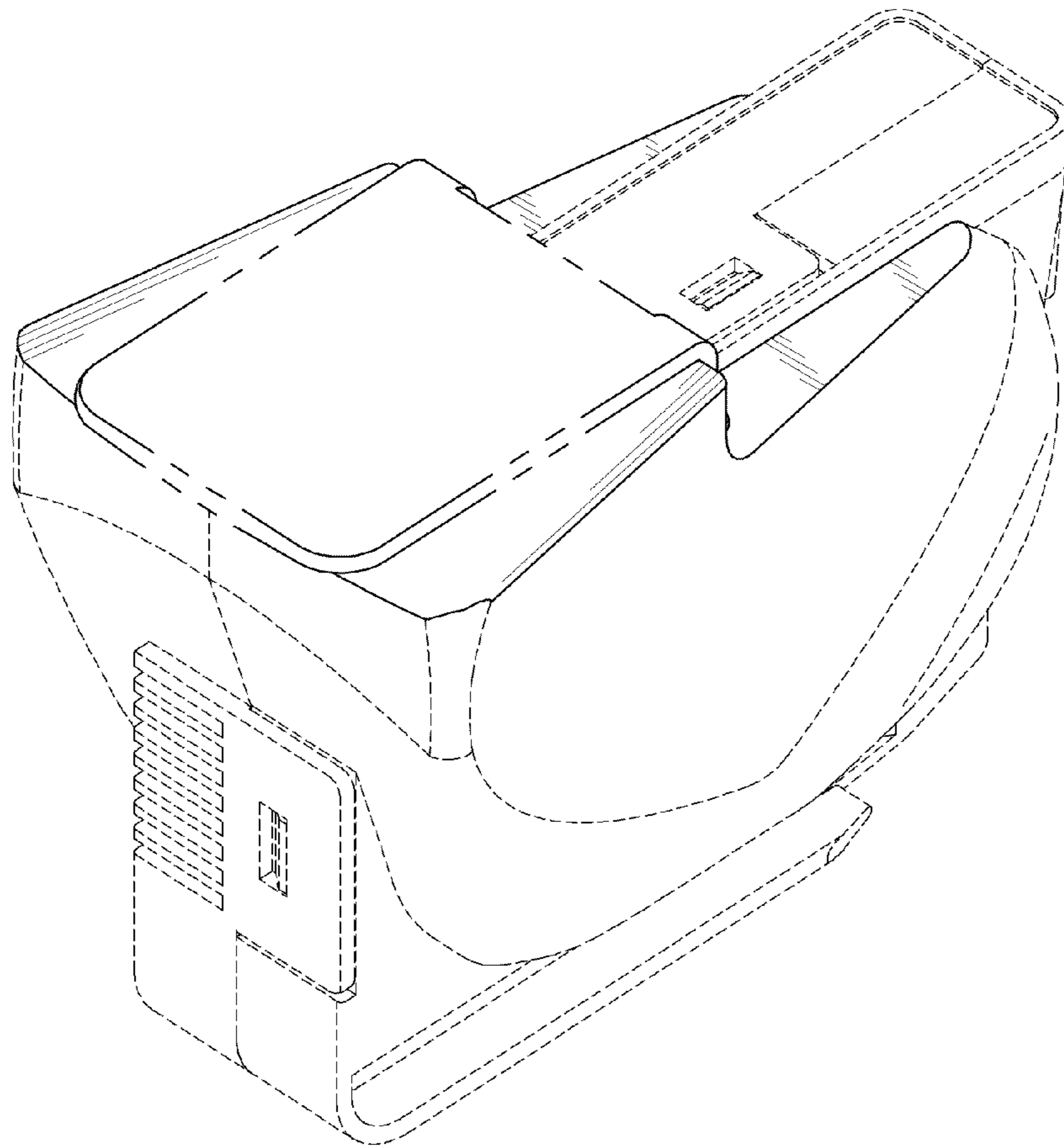


FIG. 8