



US00D718922S

(12) **United States Design Patent**
Lai

(10) **Patent No.:** **US D718,922 S**

(45) **Date of Patent:** **** Dec. 9, 2014**

(54) **PILL TRAY**

(71) Applicant: **Hon Hai Precision Industry Co., Ltd.**,
New Taipei (TW)

(72) Inventor: **Kuo-Ming Lai**, New Taipei (TW)

(73) Assignee: **Hon Hai Precision Industry Co., Ltd.**,
New Taipei (TW)

(**) Term: **14 Years**

(21) Appl. No.: **29/453,110**

(22) Filed: **Apr. 25, 2013**

(30) **Foreign Application Priority Data**

Apr. 12, 2013 (TW) 102302639

(51) **LOC (10) Cl.** **03-01**

(52) **U.S. Cl.**
USPC **D3/203.2**

(58) **Field of Classification Search**
USPC D3/201-205; 206/528-540
See application file for complete search history.

(56) **References Cited**

U.S. PATENT DOCUMENTS

D208,273 S * 8/1967 Bundy D3/203.2
D274,040 S * 5/1984 Ridgley D3/203.3
D587,898 S * 3/2009 Cetera D3/203.2

* cited by examiner

Primary Examiner — Catheri Olive-Garcia

(74) *Attorney, Agent, or Firm* — Novak Druce Connolly
Bove + Quigg LLP

(57) **CLAIM**

The ornamental design for a pill tray, as shown and described.

DESCRIPTION

FIG. 1 is a perspective view of a pill tray showing our new design.

FIG. 2 is a front elevational view thereof.

FIG. 3 is a rear elevational view thereof.

FIG. 4 is a left side elevational view thereof.

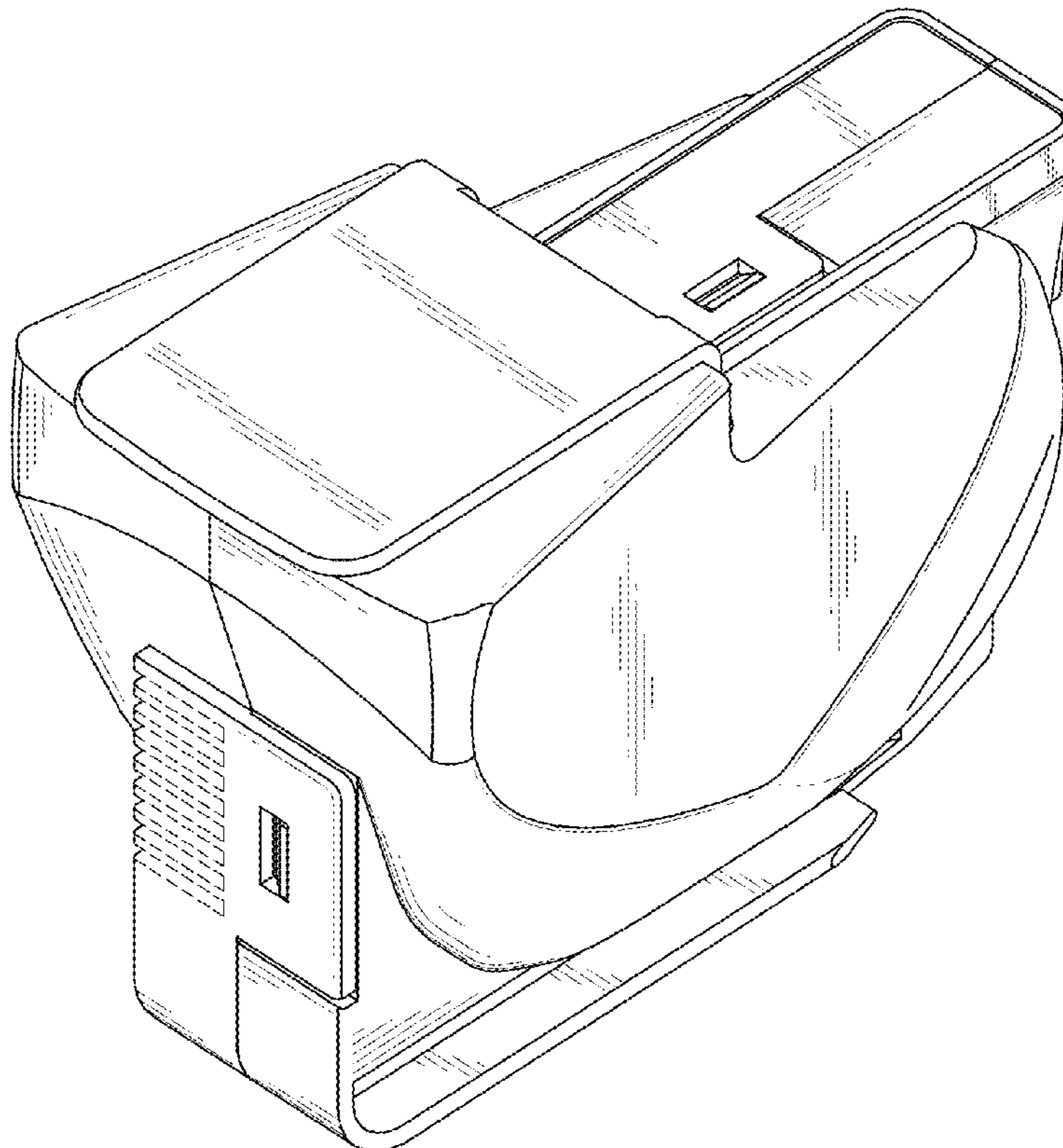
FIG. 5 is a right side elevational view thereof.

FIG. 6 is a top plan view thereof.

FIG. 7 is a bottom plan view thereof; and,

FIG. 8 is a perspective view of another aspect of the “pill tray”, showing parts of the “pill tray” which is in a state of use. The broken lines shown in the figures form no part of the claimed design and the shade lines in the figures show contour and not surface ornamentation.

1 Claim, 8 Drawing Sheets



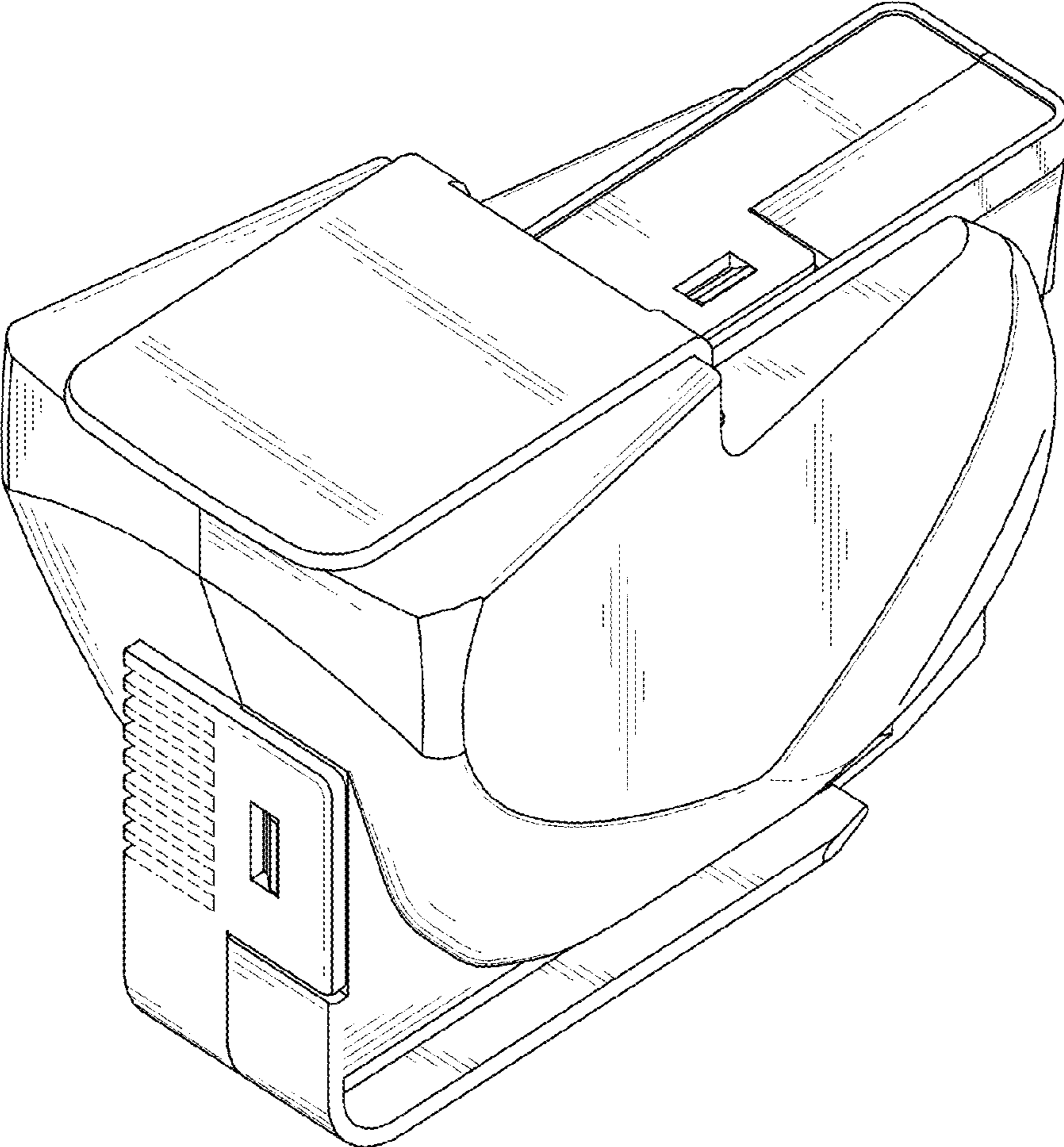


FIG. 1

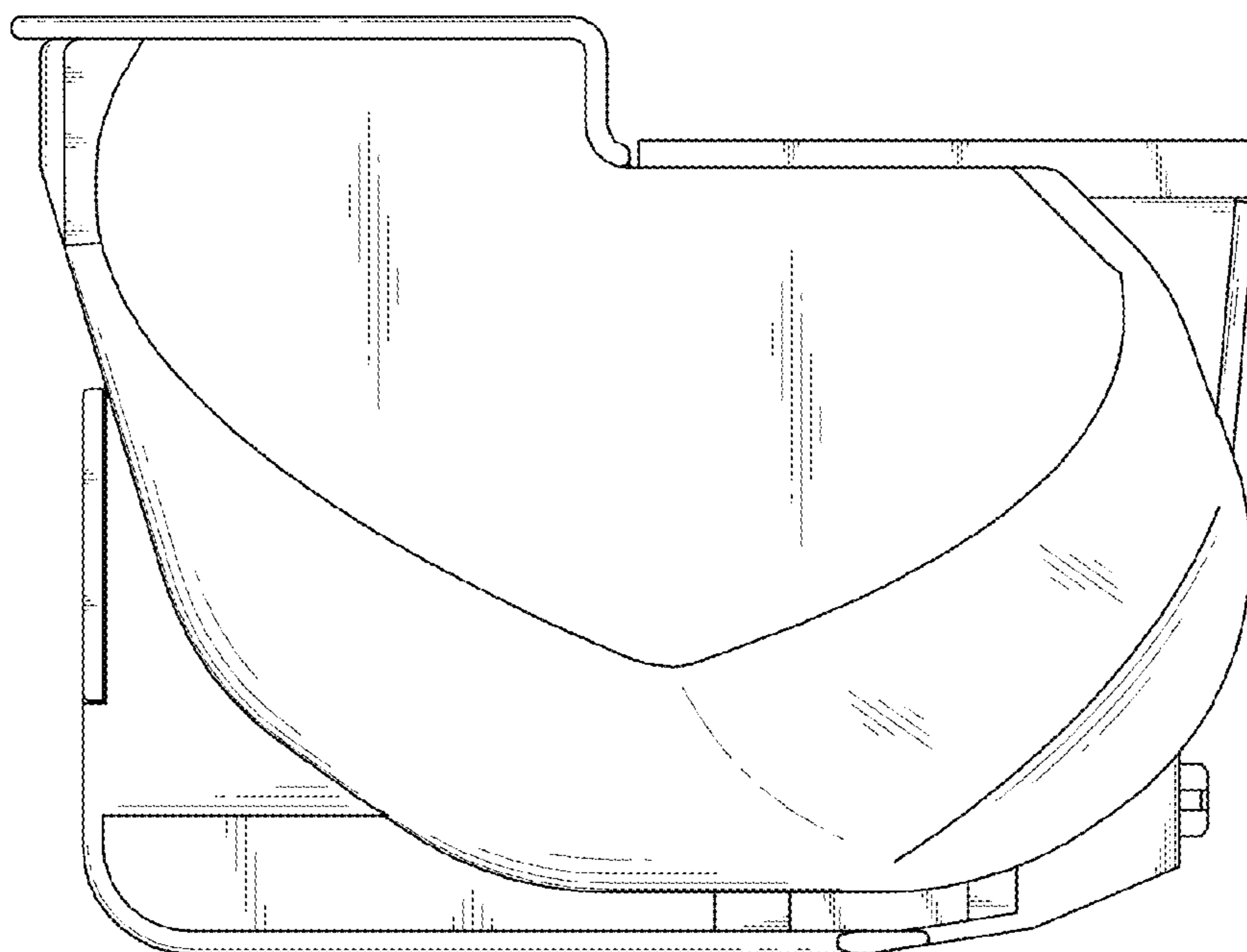


FIG. 2

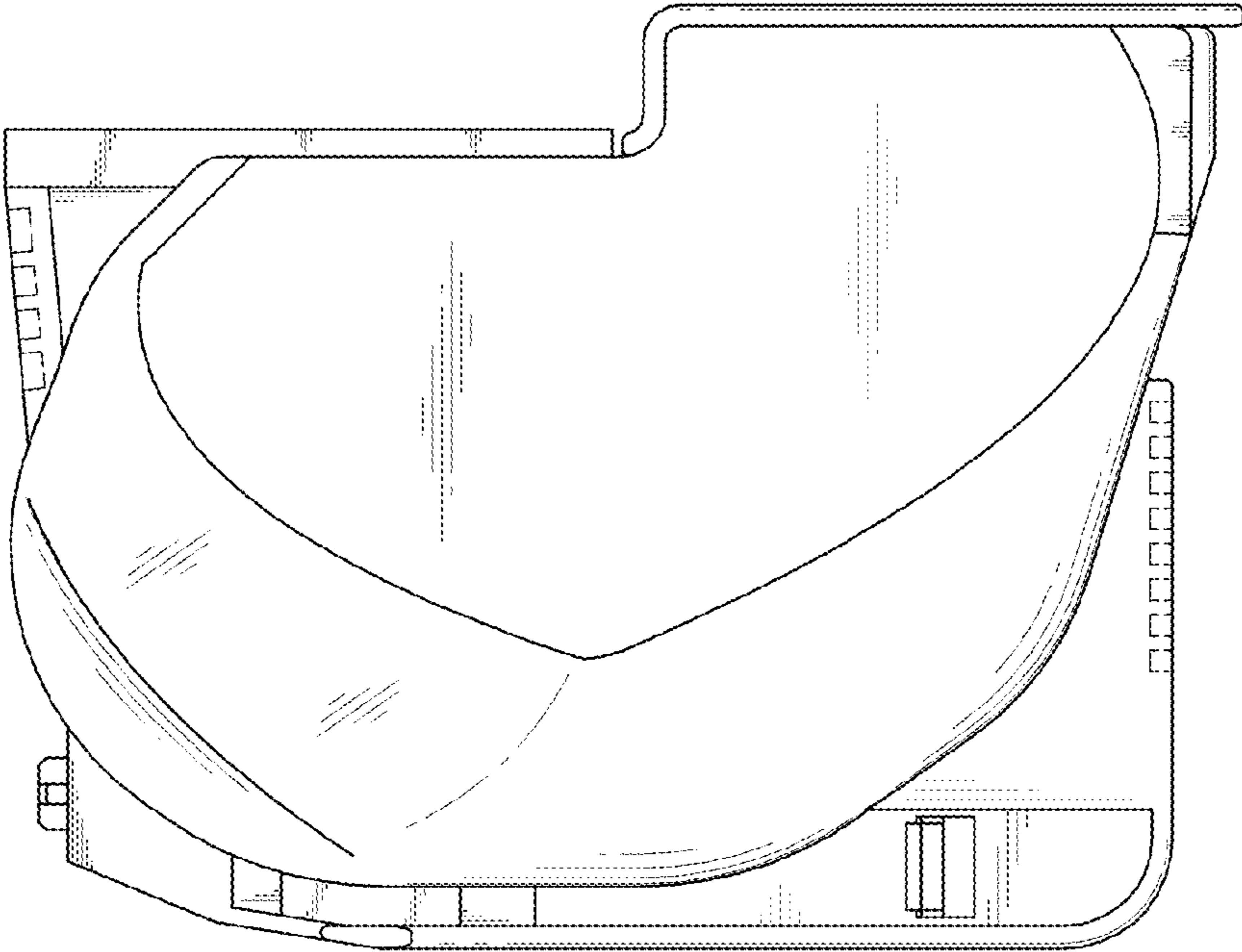


FIG. 3

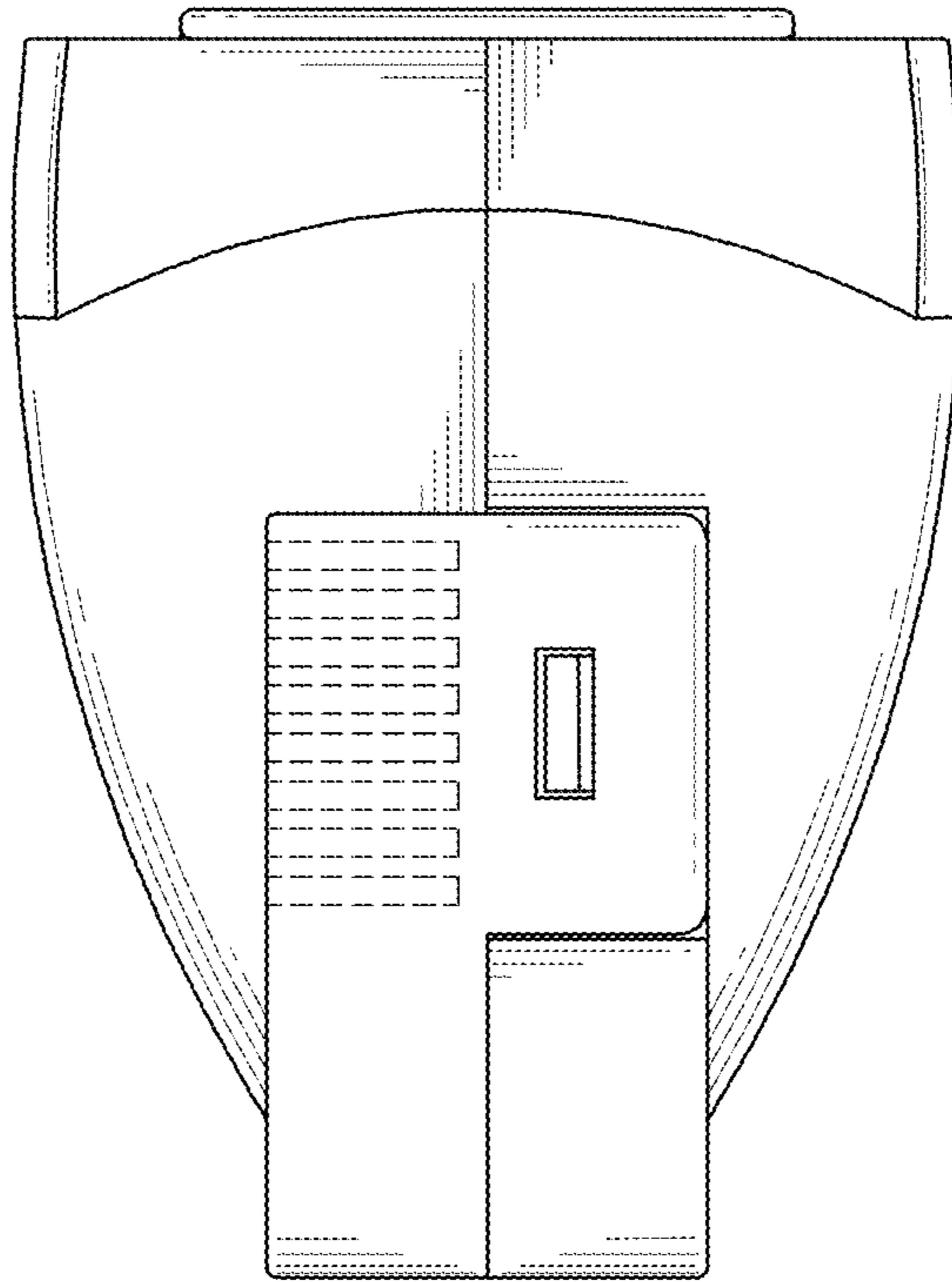


FIG. 4

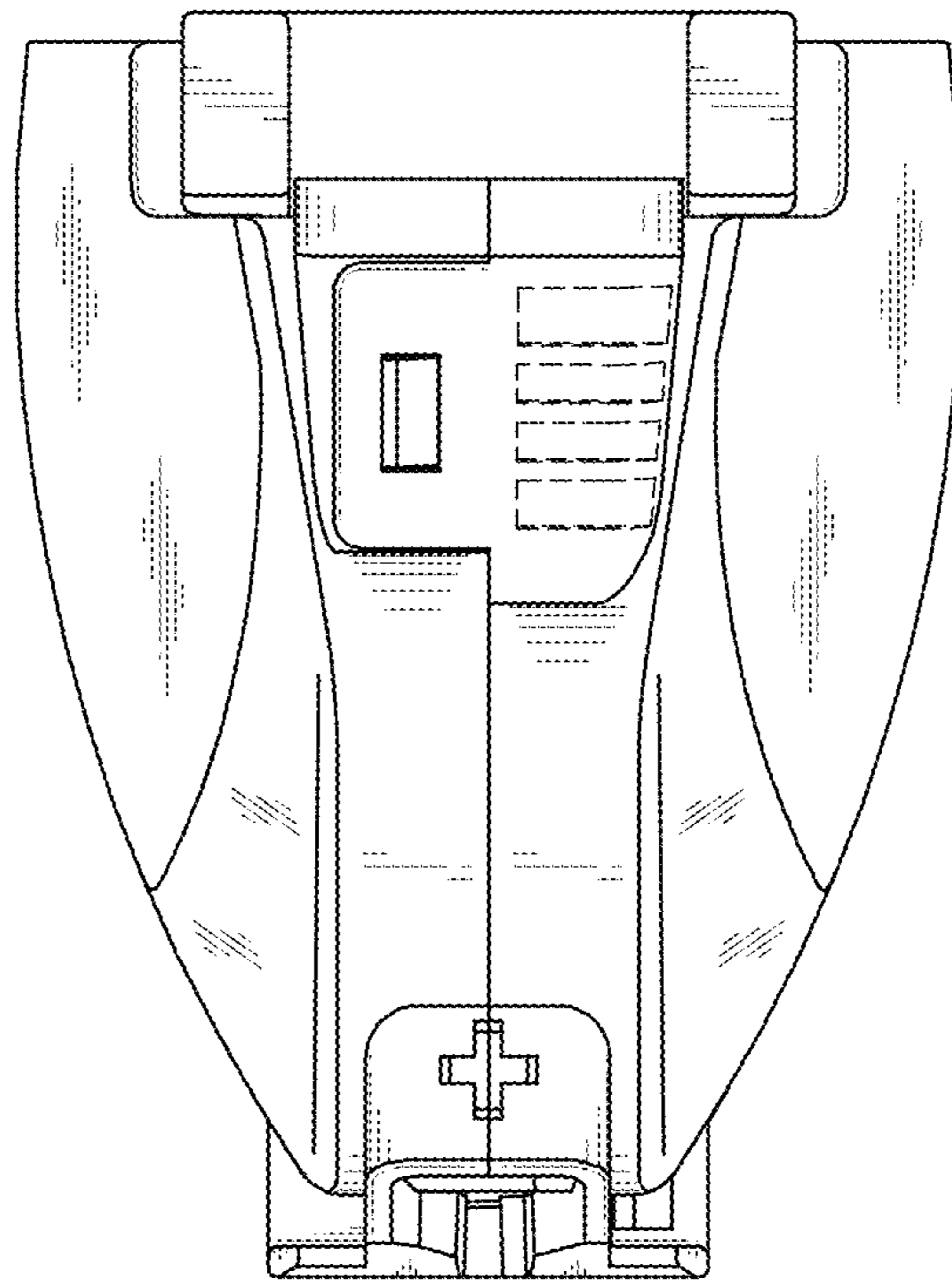


FIG. 5

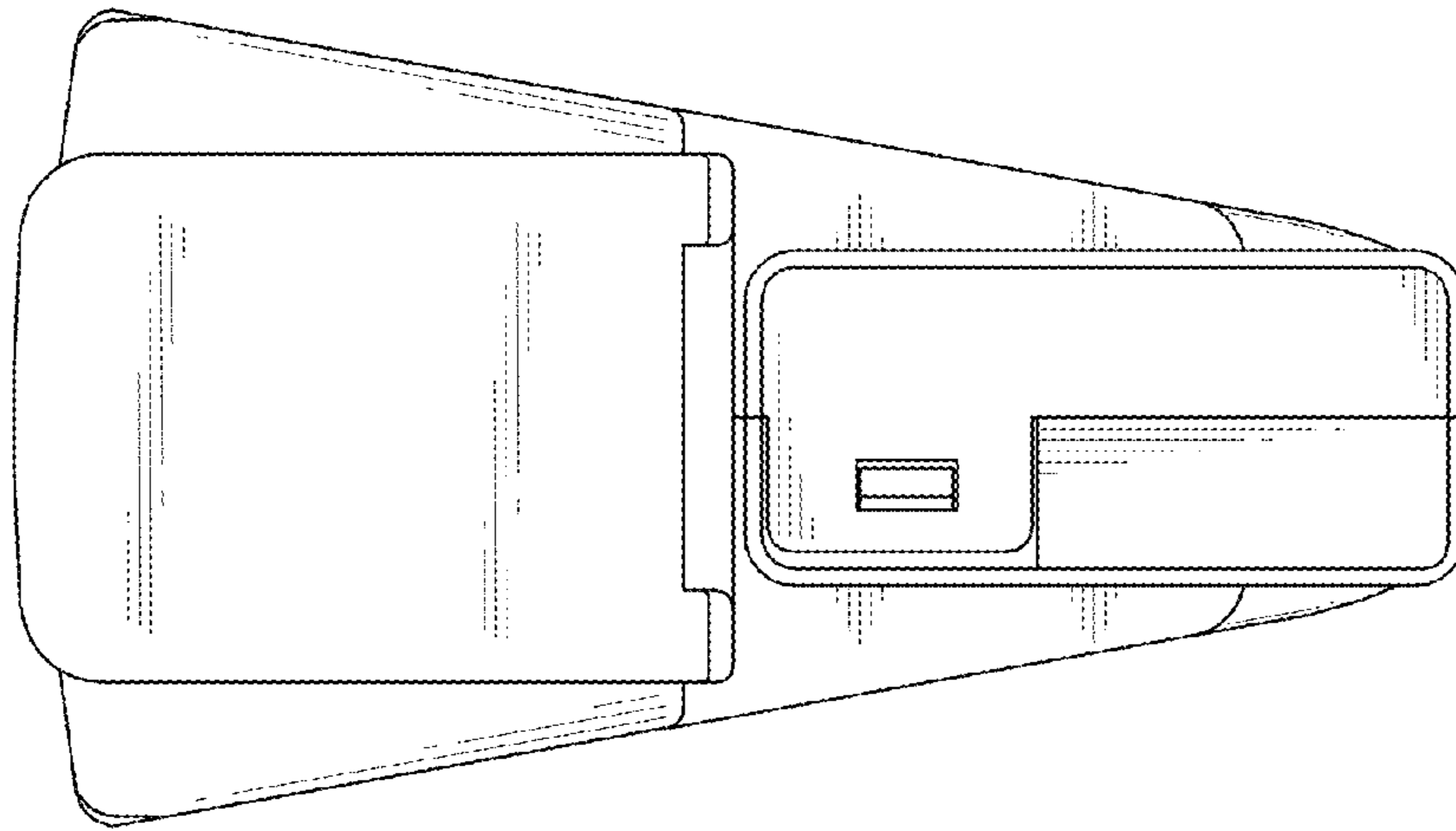


FIG. 6

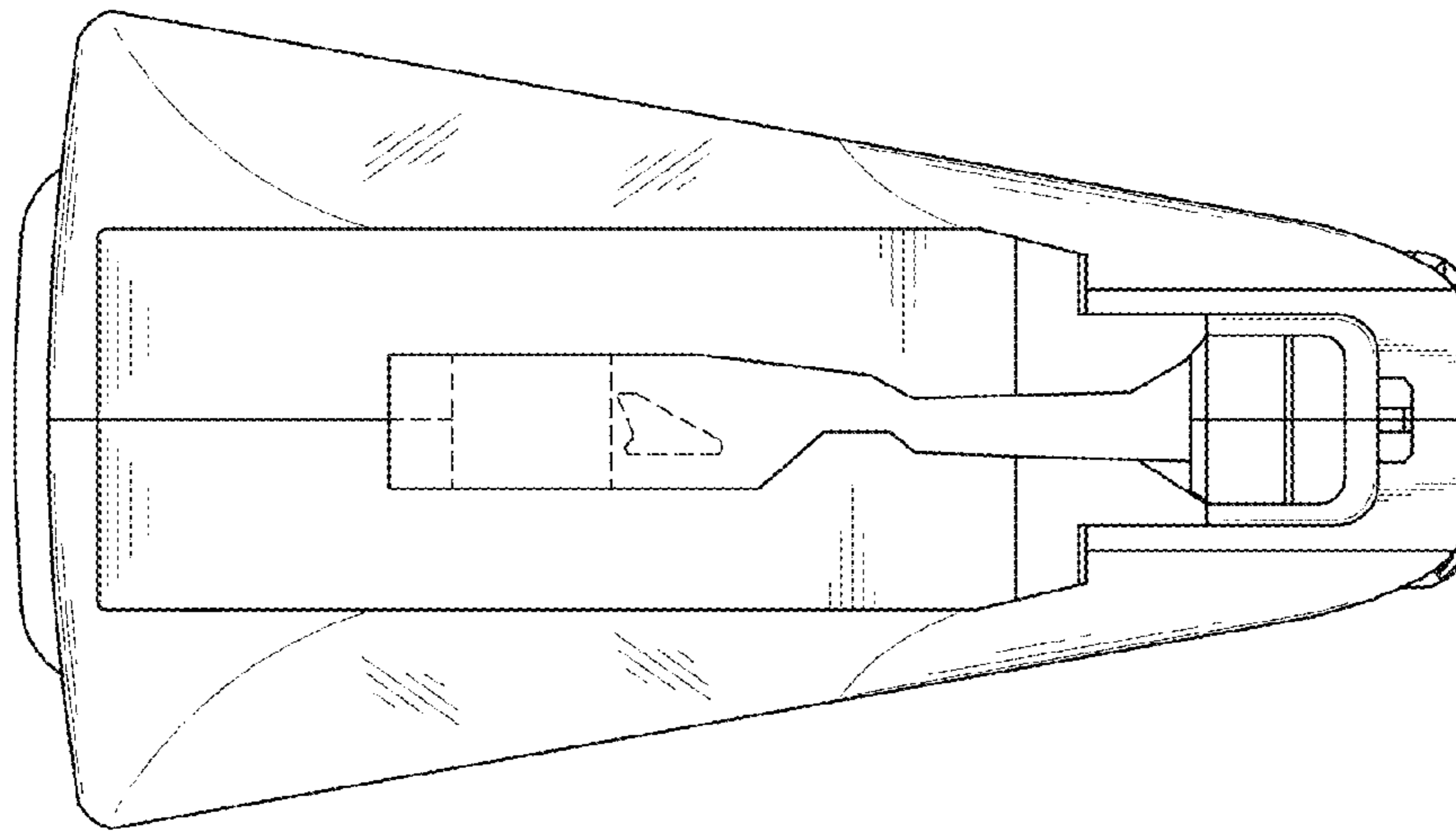


FIG. 7

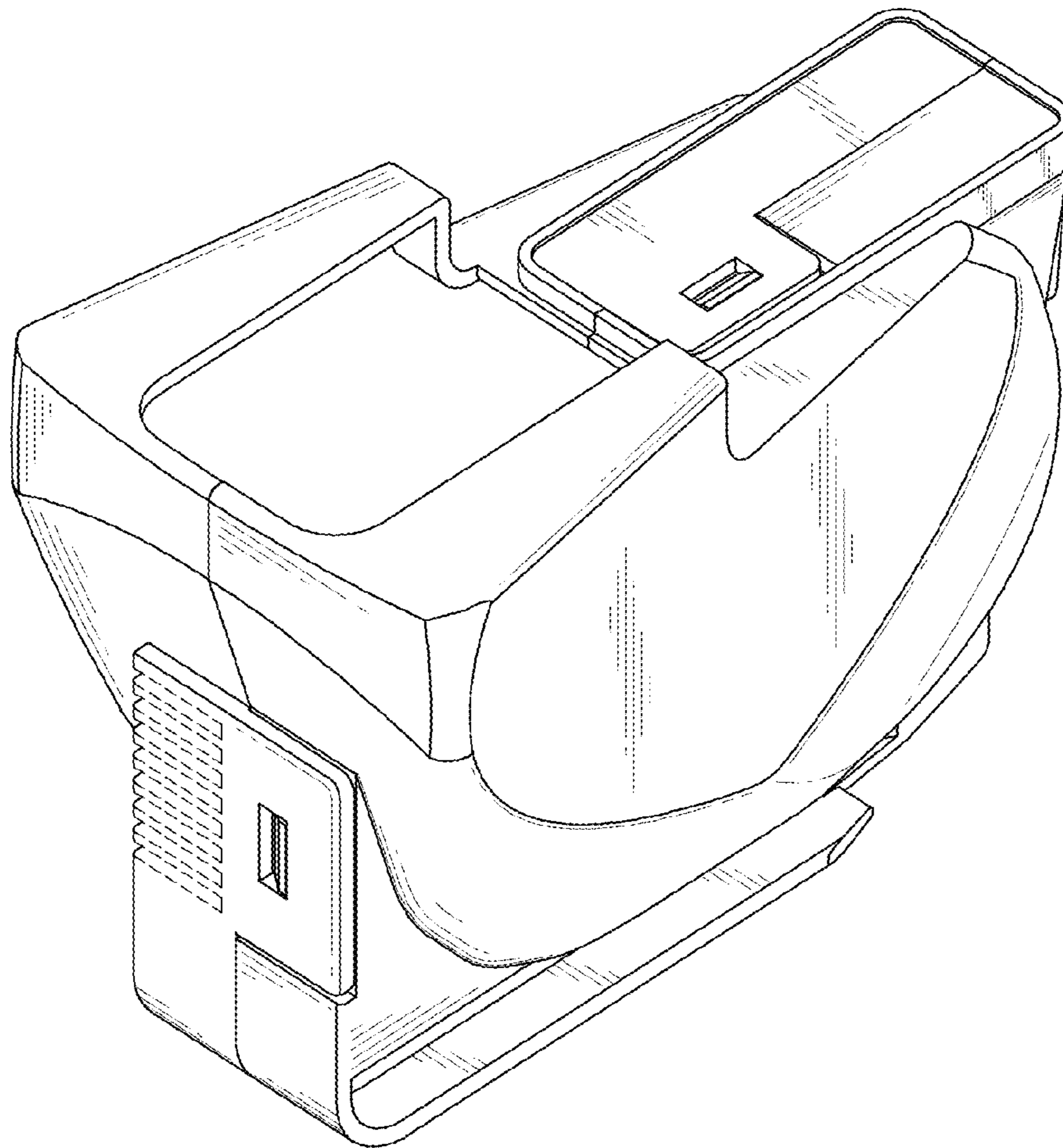


FIG. 8