



US00D718920S

(12) **United States Design Patent**
Jones et al.

(10) **Patent No.:** **US D718,920 S**
(45) **Date of Patent:** **** Dec. 9, 2014**

(54) **ATHLETIC SHOE ATTACHMENT**

(56) **References Cited**

(71) Applicant: **James Madison Innovations,**
Harrisonburg, VA (US)
(72) Inventors: **Justin Scott Jones,** Harrisonburg, VA
(US); **Corey Marc Anderson,** Burleson,
TX (US)

U.S. PATENT DOCUMENTS

1,938,617 A *	12/1933	Augusta	36/81
2,628,437 A *	2/1953	Forsythe	36/7.7
3,057,085 A *	10/1962	Rigsby	36/97
D302,838 S *	8/1989	Wendt	D21/763
D326,949 S *	6/1992	Beckley	D2/909
7,845,094 B1 *	12/2010	Gaskins, Jr.	36/7.6
D670,491 S *	11/2012	Ko et al.	D2/962

* cited by examiner

(73) Assignee: **James Madison Innovations,**
Harrisonburg, VA (US)

Primary Examiner — Stella Reid
Assistant Examiner — Janice Lim

(**) Term: **14 Years**

(74) *Attorney, Agent, or Firm* — Jordan IP Law, LLC; Todd
A. Vaughn

(21) Appl. No.: **29/444,183**

(57) **CLAIM**

The ornamental design for an athletic shoe attachment, as
shown and described.

(22) Filed: **Jan. 28, 2013**

DESCRIPTION

(51) **LOC (10) Cl.** **02-04**

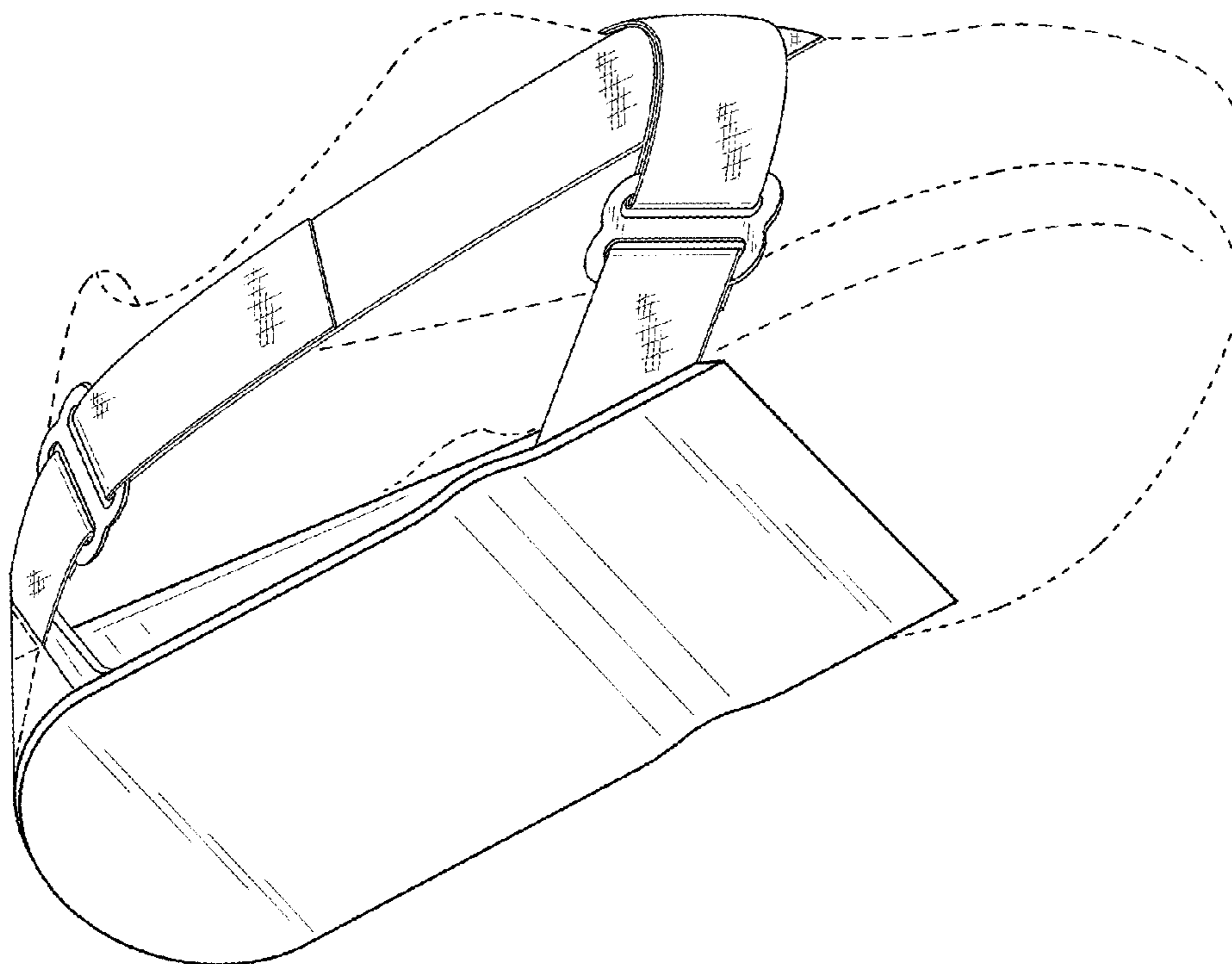
(52) **U.S. Cl.**
USPC **D2/946**

(58) **Field of Classification Search**
USPC D2/896, 904, 906–911, 913–918, 925,
D2/929, 943, 946, 947, 951, 953, 954, 962,
D2/963, 968, 978; 36/3 A, 7.5–7.7, 59 C,
36/59 R, 61, 62, 64–66, 67 R, 67 A, 67 B,
36/67 C, 67 D, 115, 145, 125, 132–137

FIG. 1 is a bottom perspective view of an athletic shoe attach-
ment, showing our new design.
FIG. 2 is a side view of the athletic shoe attachment.
FIG. 3 is another side view of the athletic shoe attachment.
FIG. 4 is a front view of the athletic shoe attachment.
FIG. 5 is a rear view of the athletic shoe attachment.
FIG. 6 is a top view of the athletic shoe attachment; and,
FIG. 7 is a bottom view of the athletic shoe attachment.
The broken line showing is included for the purpose of illus-
trating environmental structure and forms no part of the
claimed design.

See application file for complete search history.

1 Claim, 4 Drawing Sheets



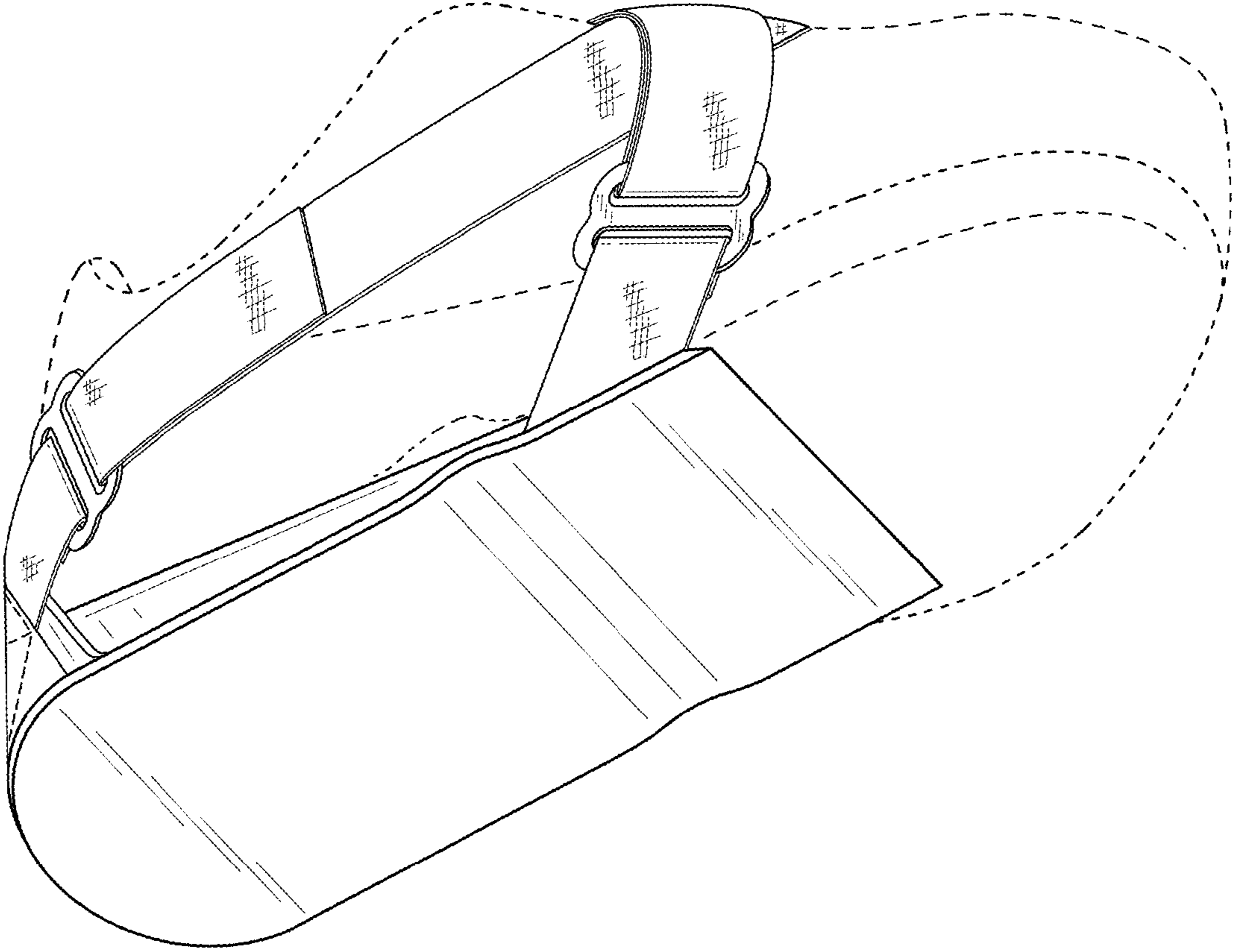


FIG. 1

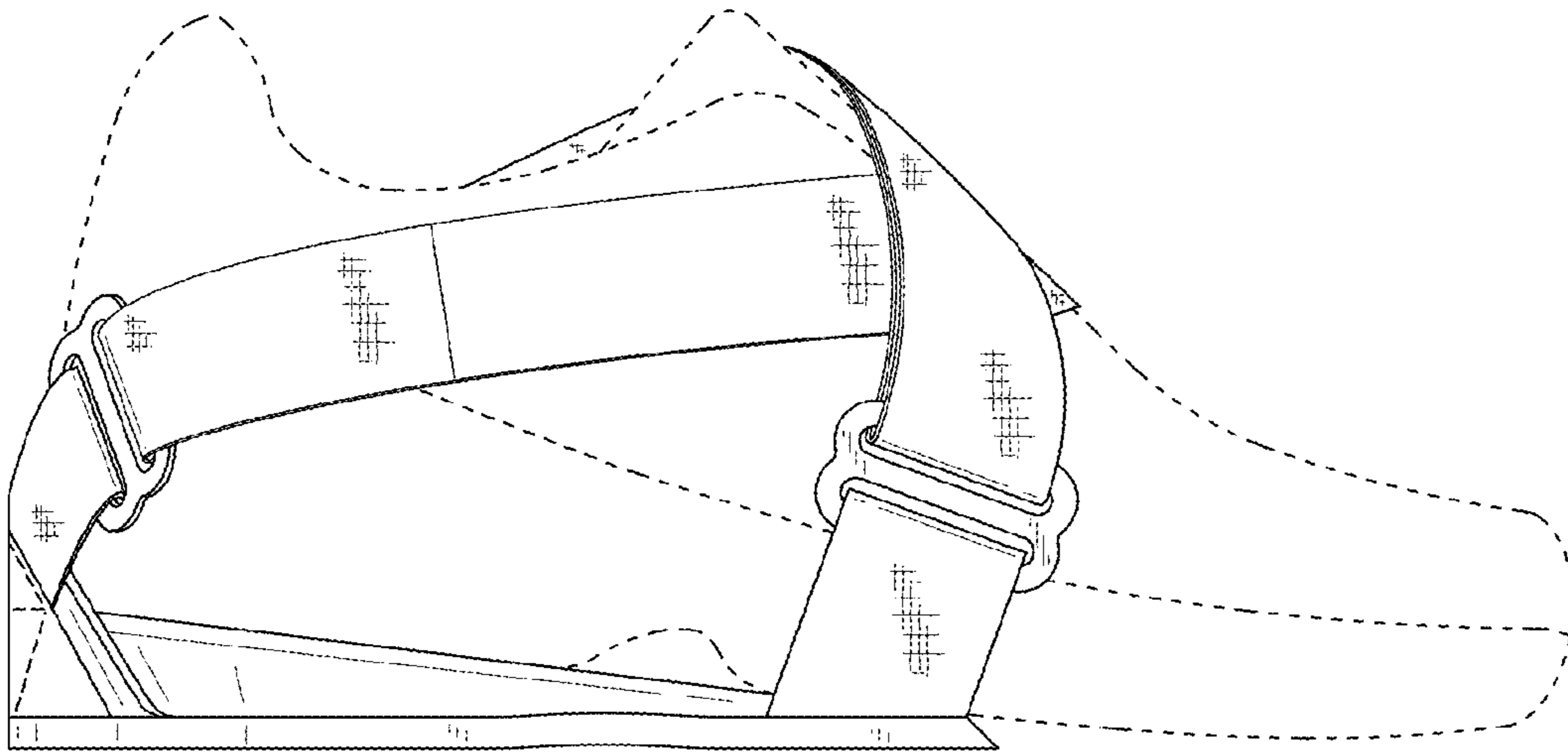


FIG. 2

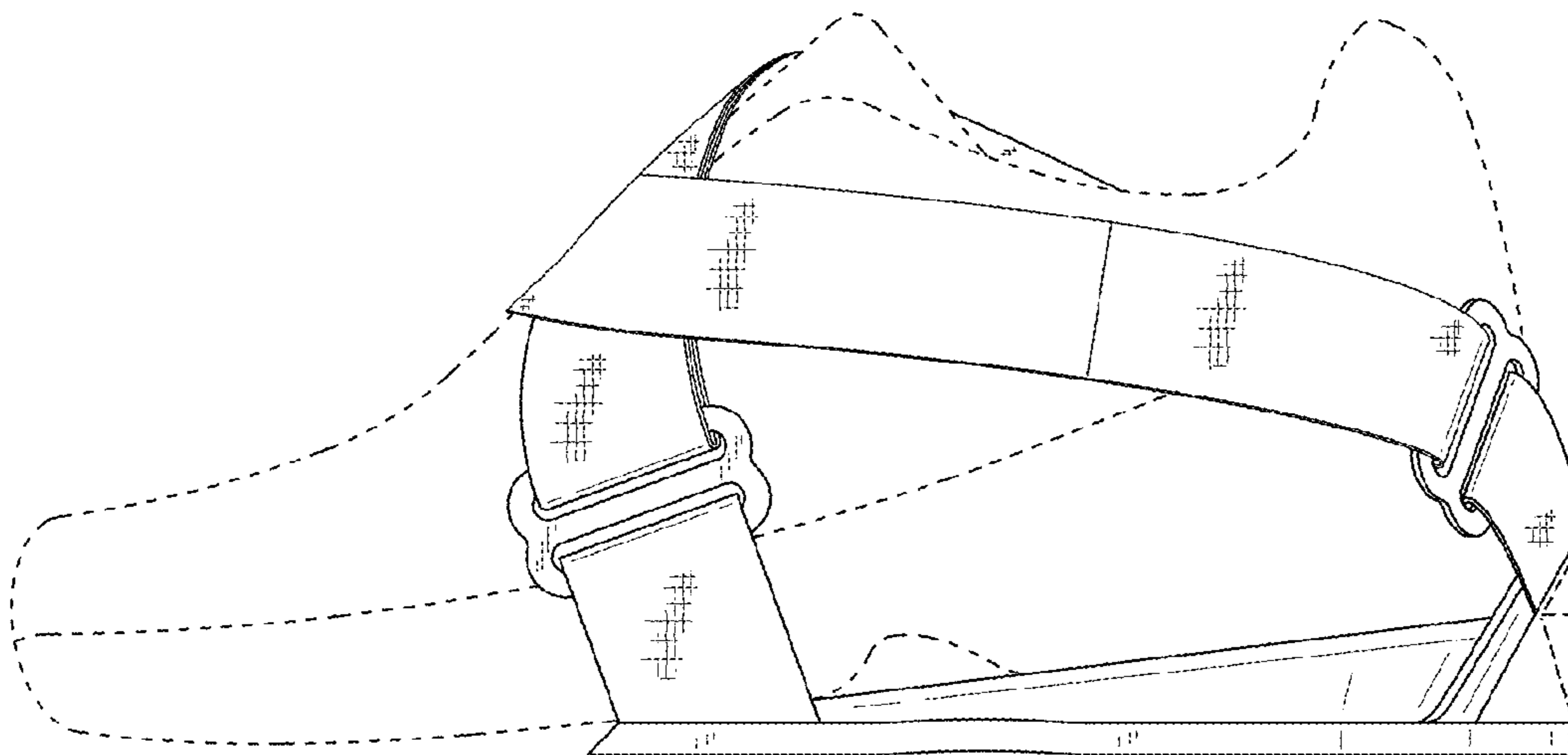


FIG. 3

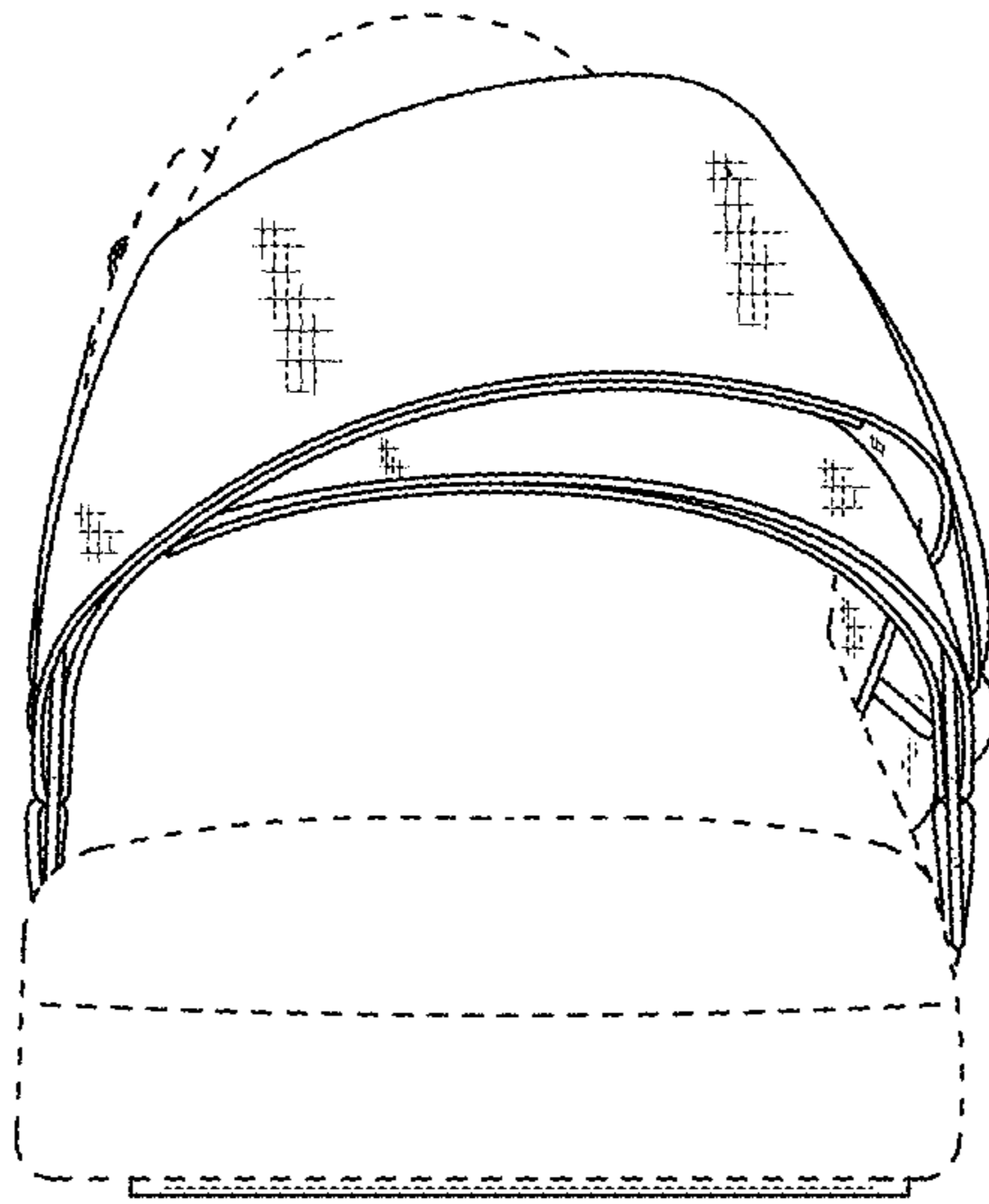


FIG.4

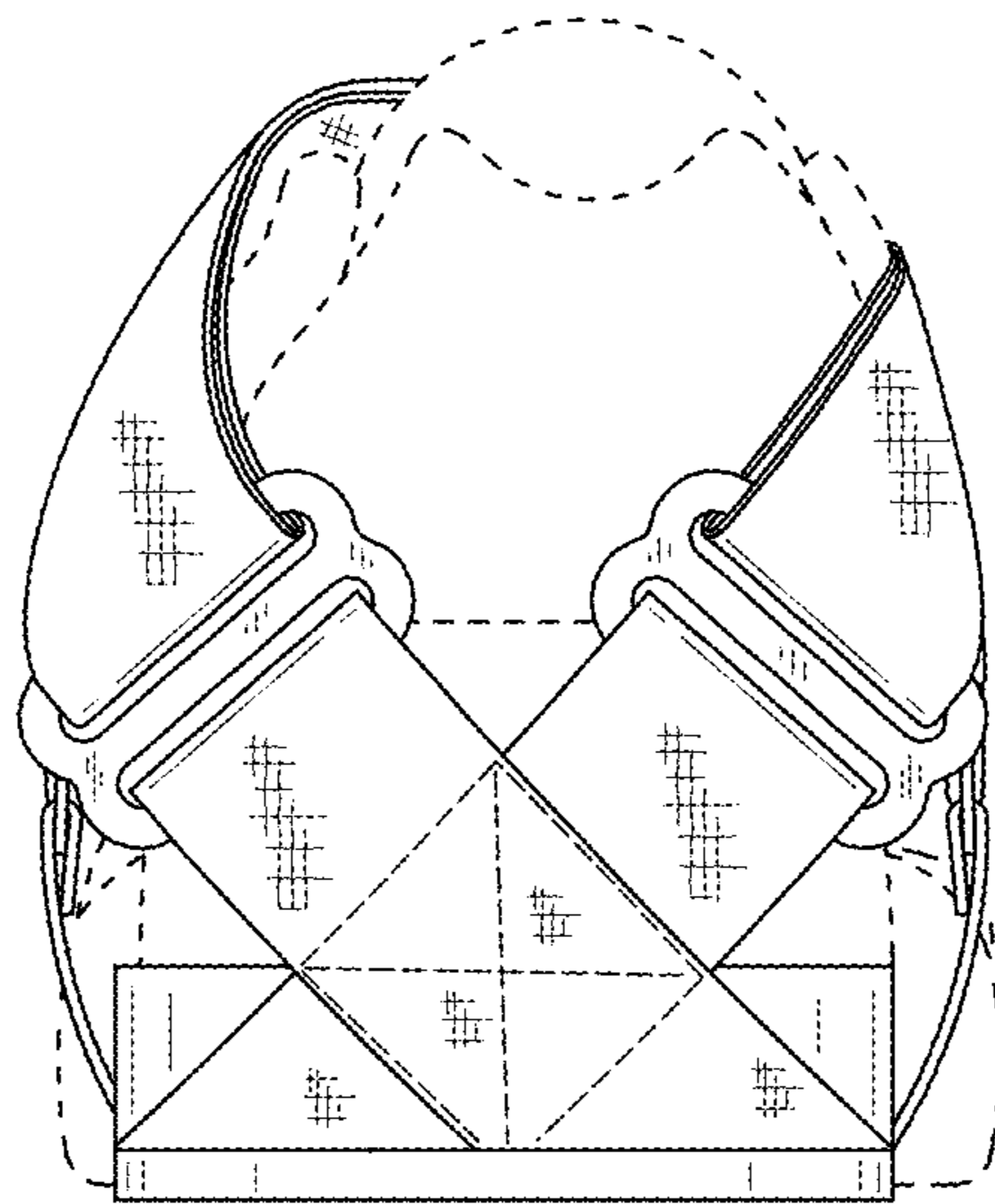


FIG.5

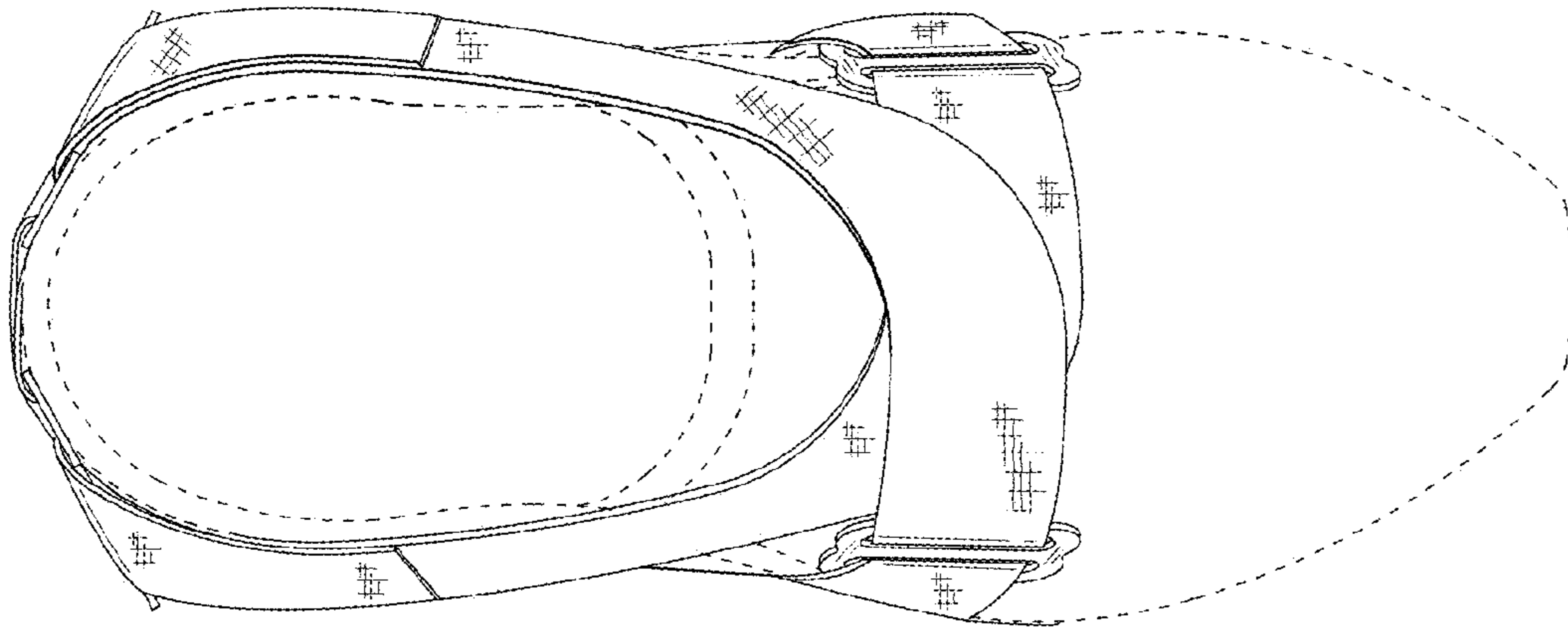


FIG.6

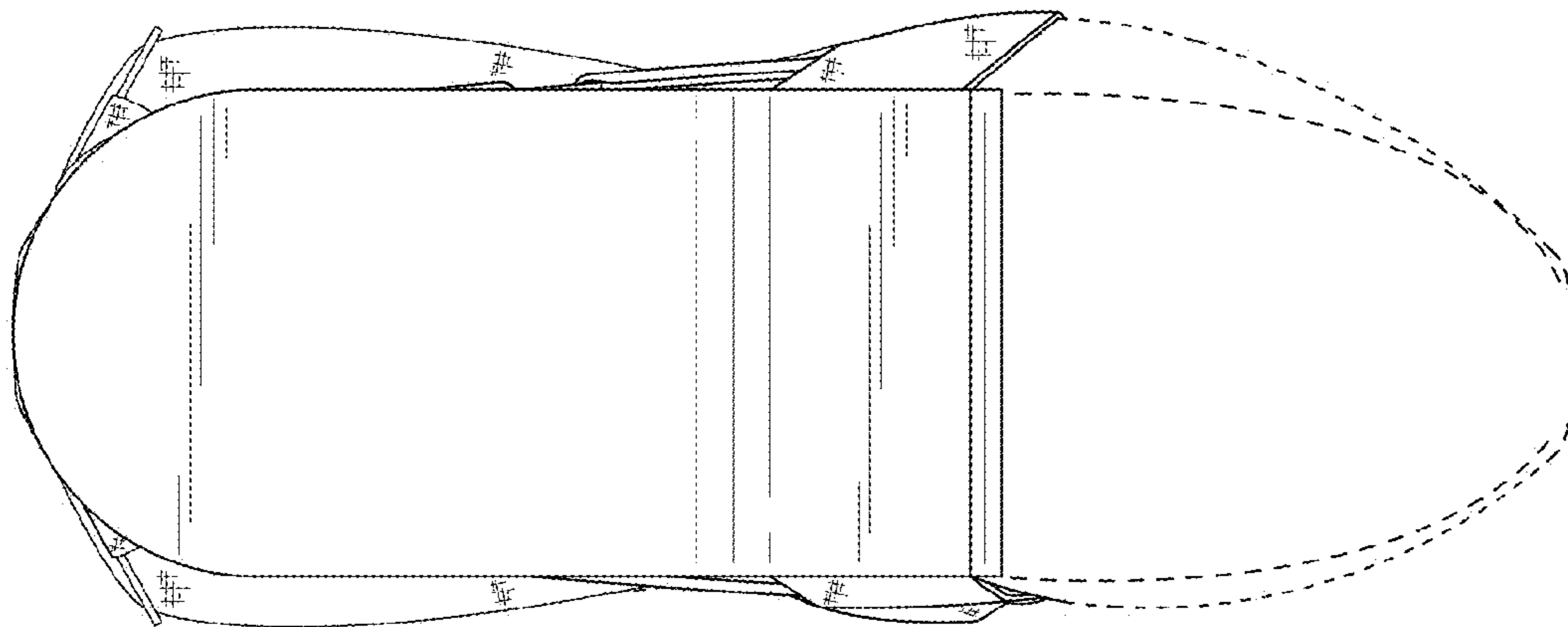


FIG.7