



US00D718915S

(12) **United States Design Patent**
Byers

(10) **Patent No.:** **US D718,915 S**

(45) **Date of Patent:** **** Dec. 2, 2014**

(54) **COIN BANK**

(71) Applicant: **Gary Byers**, Columbia Falls, MT (US)

(72) Inventor: **Gary Byers**, Columbia Falls, MT (US)

(**) Term: **14 Years**

(21) Appl. No.: **29/458,069**

(22) Filed: **Jun. 14, 2013**

(51) **LOC (10) Cl.** **99-00**

(52) **U.S. Cl.**
USPC **D99/37**

(58) **Field of Classification Search**
USPC D99/28, 34, 35, 36, 37, 43, 99;
D11/117, 121, 125, 131, 132, 133,
D11/157; D18/3.1, 3.2, 3.3, 12, 12.1, 46,
D18/47; 428/7, 8, 11; 109/1 R, 1 V, 2, 3, 4,
109/45; 446/8-13
See application file for complete search history.

3,694,648 A *	9/1972	Yates	362/311.03
D229,573 S *	12/1973	Travela	D99/34
3,840,173 A *	10/1974	Rolff	232/4 R
D239,958 S *	5/1976	Robert	D99/35
D239,959 S *	5/1976	Miyazaki	D99/35
D240,446 S *	7/1976	Robert	D99/35
D240,645 S *	7/1976	Miyazaki	D99/35
3,983,658 A *	10/1976	de Sanz	446/5
D341,017 S *	11/1993	Abe	D99/43
D356,425 S *	3/1995	August	D99/37
D404,681 S *	1/1999	Galerieau	D11/121
D504,549 S *	4/2005	Sultana	D99/34
D505,832 S *	6/2005	Rosow	D7/515
D545,974 S *	7/2007	Nan	D24/211
D641,535 S *	7/2011	Kan	D99/37

* cited by examiner

Primary Examiner — Elizabeth J Oswecki
(74) *Attorney, Agent, or Firm* — Jean Kyle

(57) **CLAIM**
The ornamental design for a coin bank, as shown and described.

(56) **References Cited**

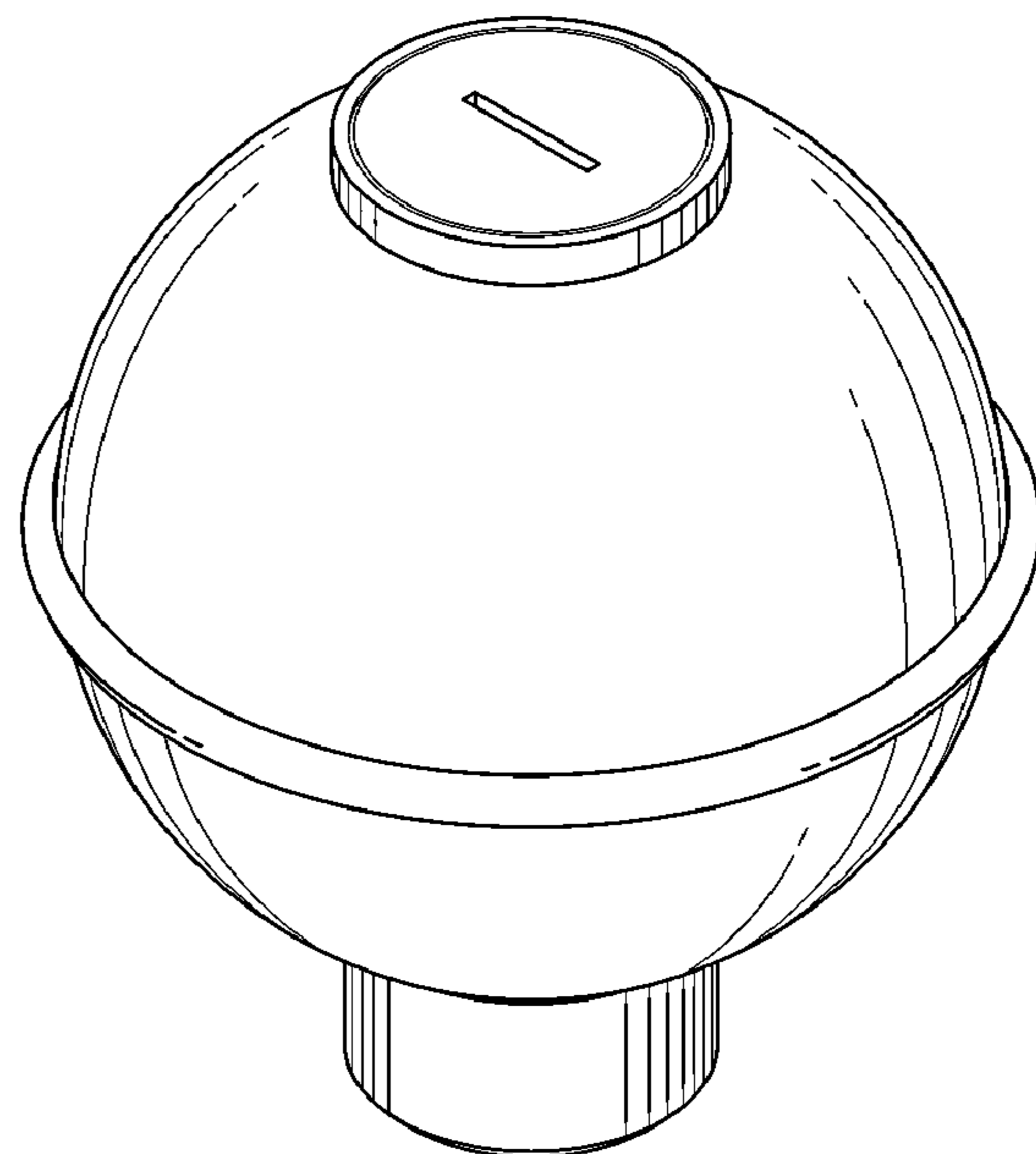
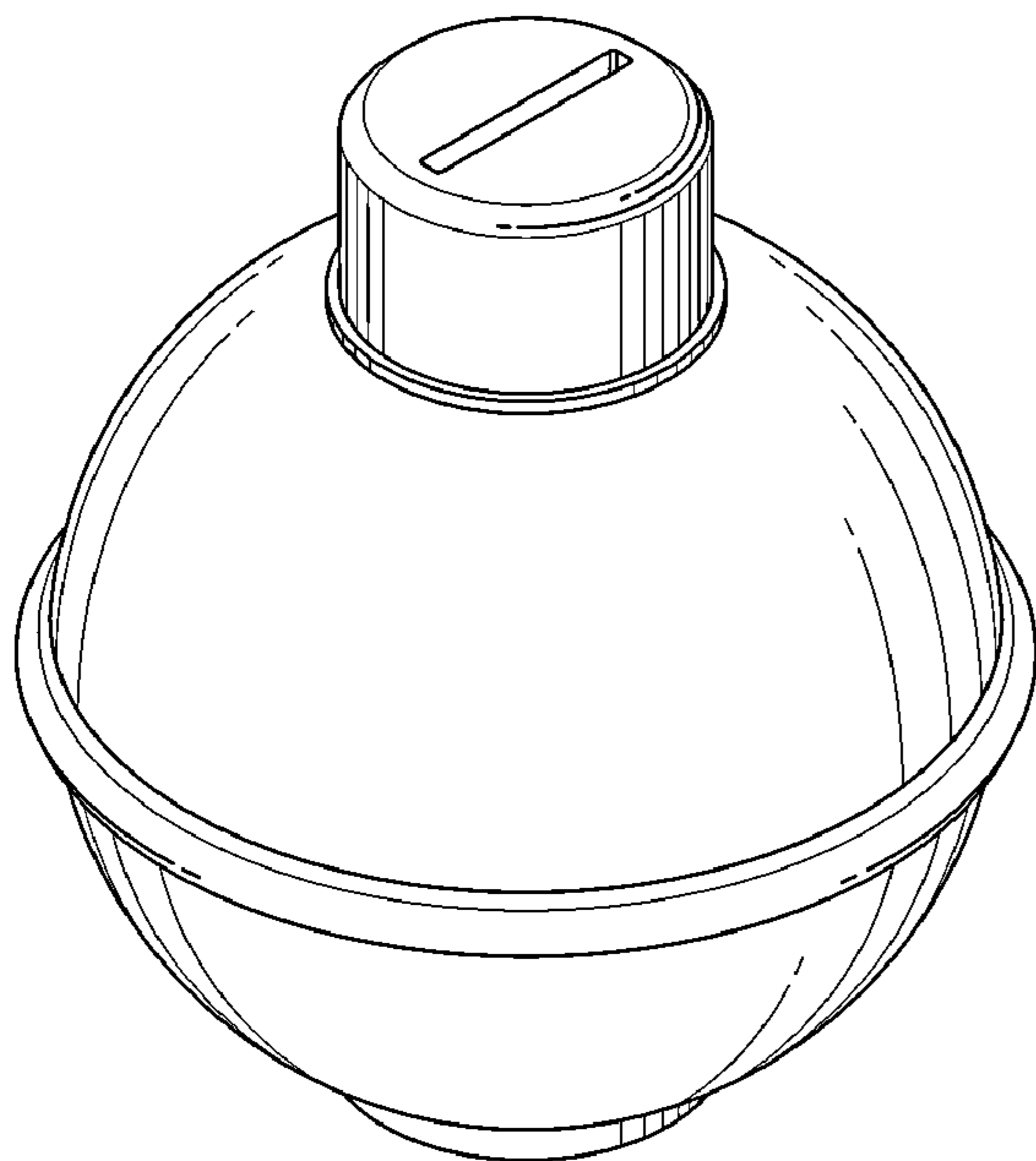
U.S. PATENT DOCUMENTS

D57,042 S *	2/1921	Hensey	D99/35
2,784,512 A *	3/1957	Goodwin	428/8
D183,723 S *	10/1958	Corwin	D99/37
D188,858 S *	9/1960	Lavison	D99/37
D208,314 S *	8/1967	Guerreo	D99/37
3,533,890 A *	10/1970	Nesbit	428/11
D221,010 S *	6/1971	Tavela	D99/35
3,650,379 A *	3/1972	La Montagne	206/1.5
D223,940 S *	6/1972	Whitworth	D99/37

DESCRIPTION

FIG. 1 is a top perspective view of a coin bank showing my new design;
FIG. 2 is a bottom perspective view thereof;
FIG. 3 is a left side elevational view thereof;
FIG. 4 is a right side elevational view thereof;
FIG. 5 is a top plan view thereof; and,
FIG. 6 is a bottom plan view thereof.

1 Claim, 2 Drawing Sheets



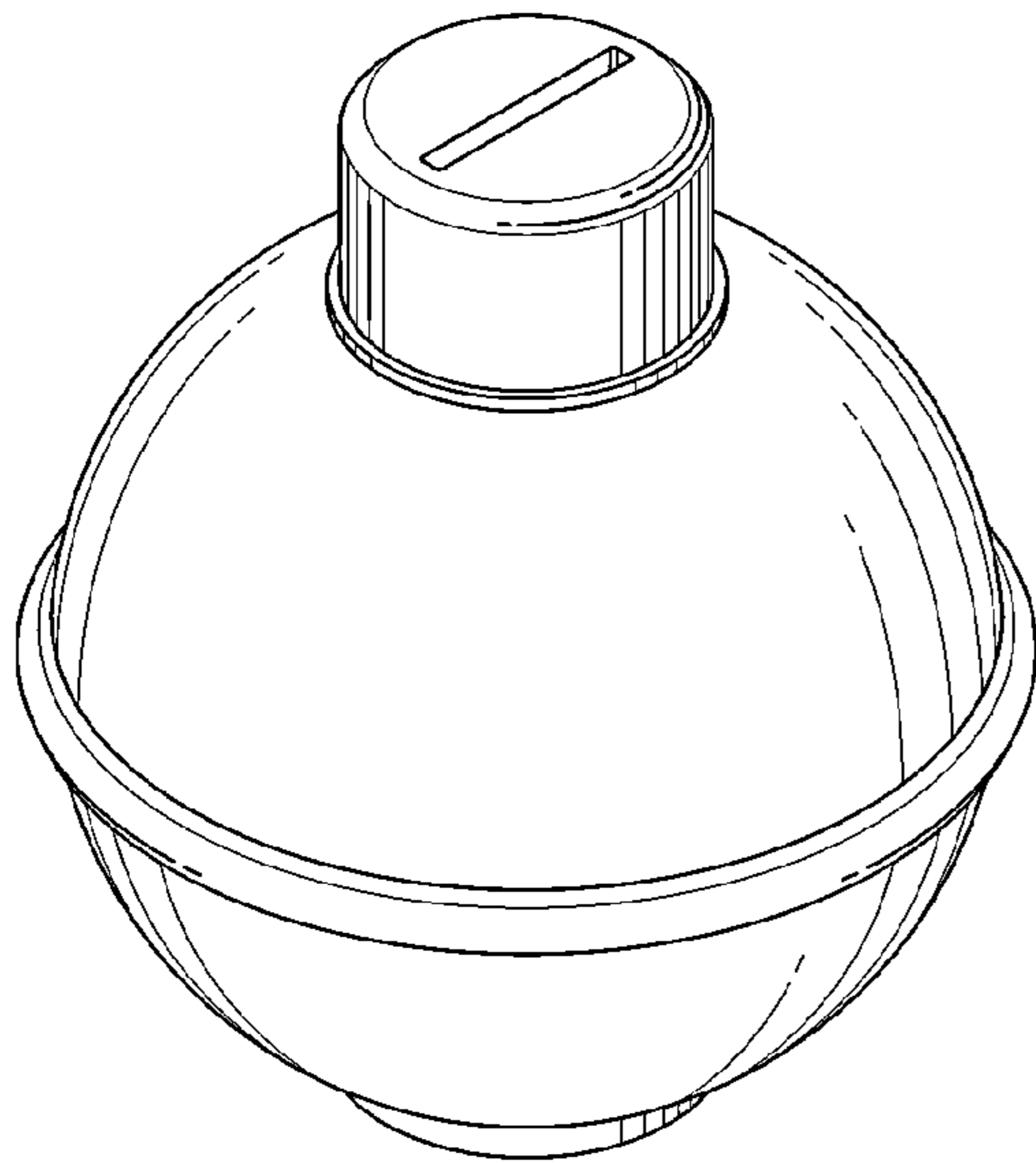


Fig. 1

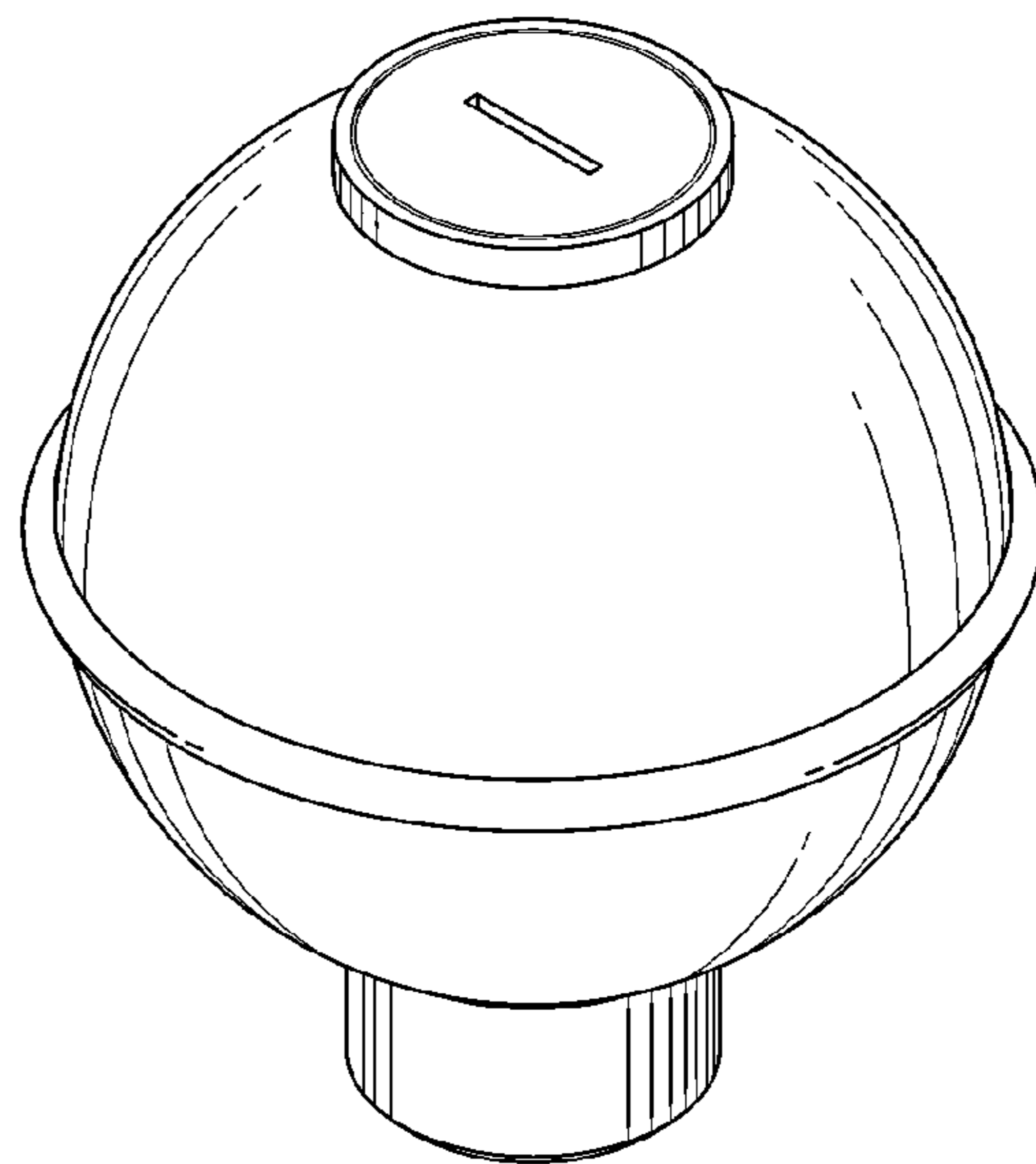


Fig. 2

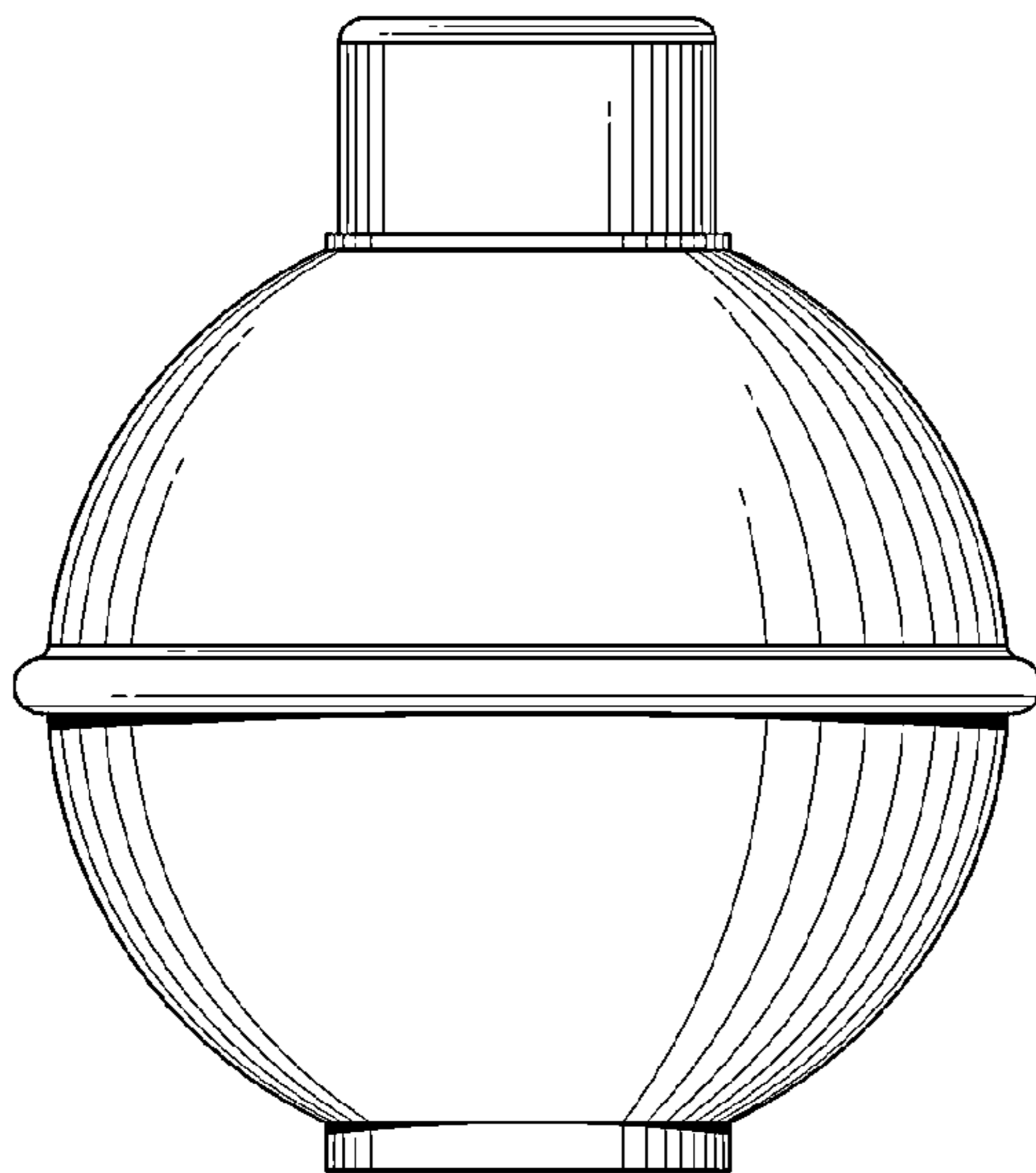


Fig. 3

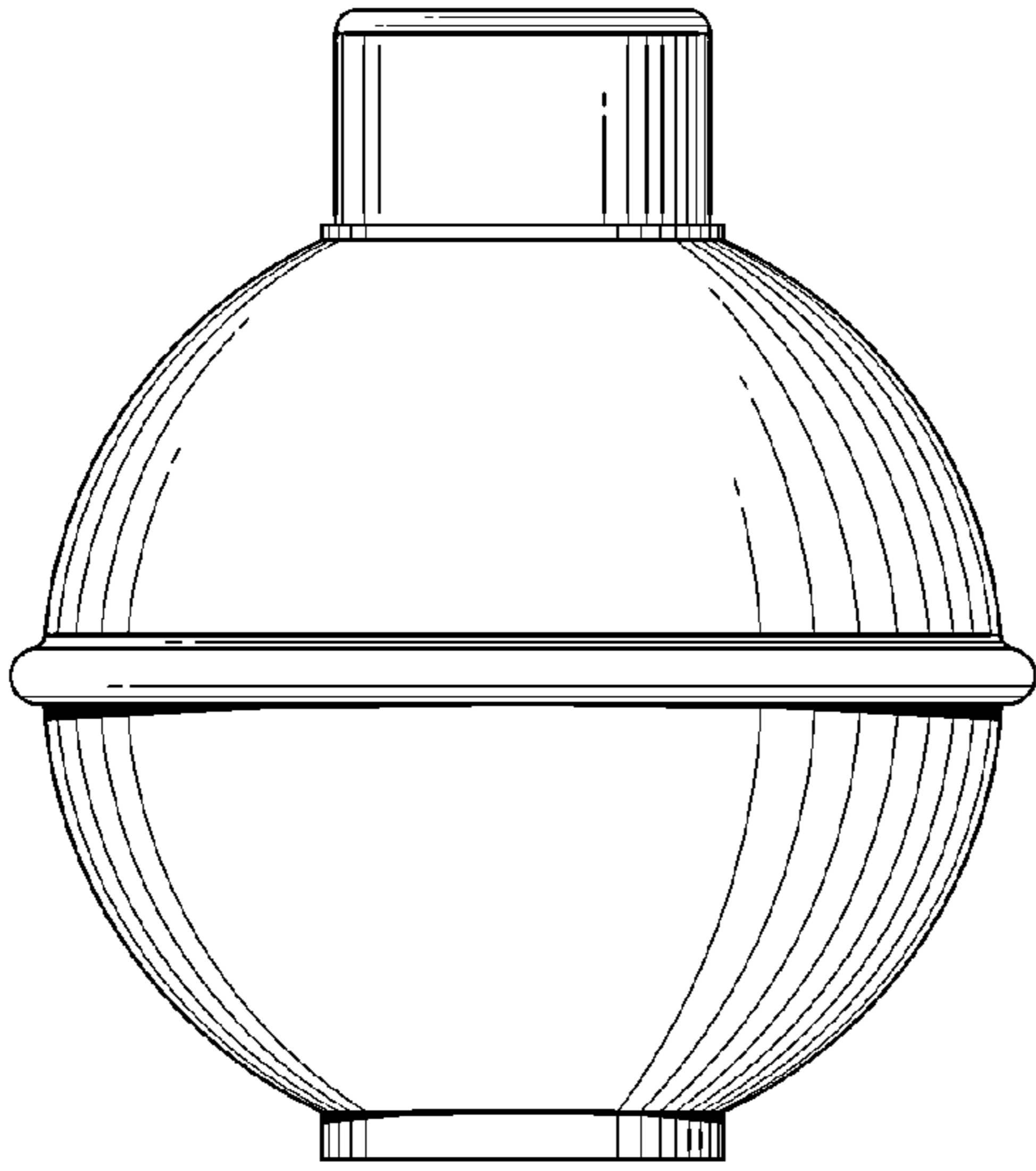


Fig. 4

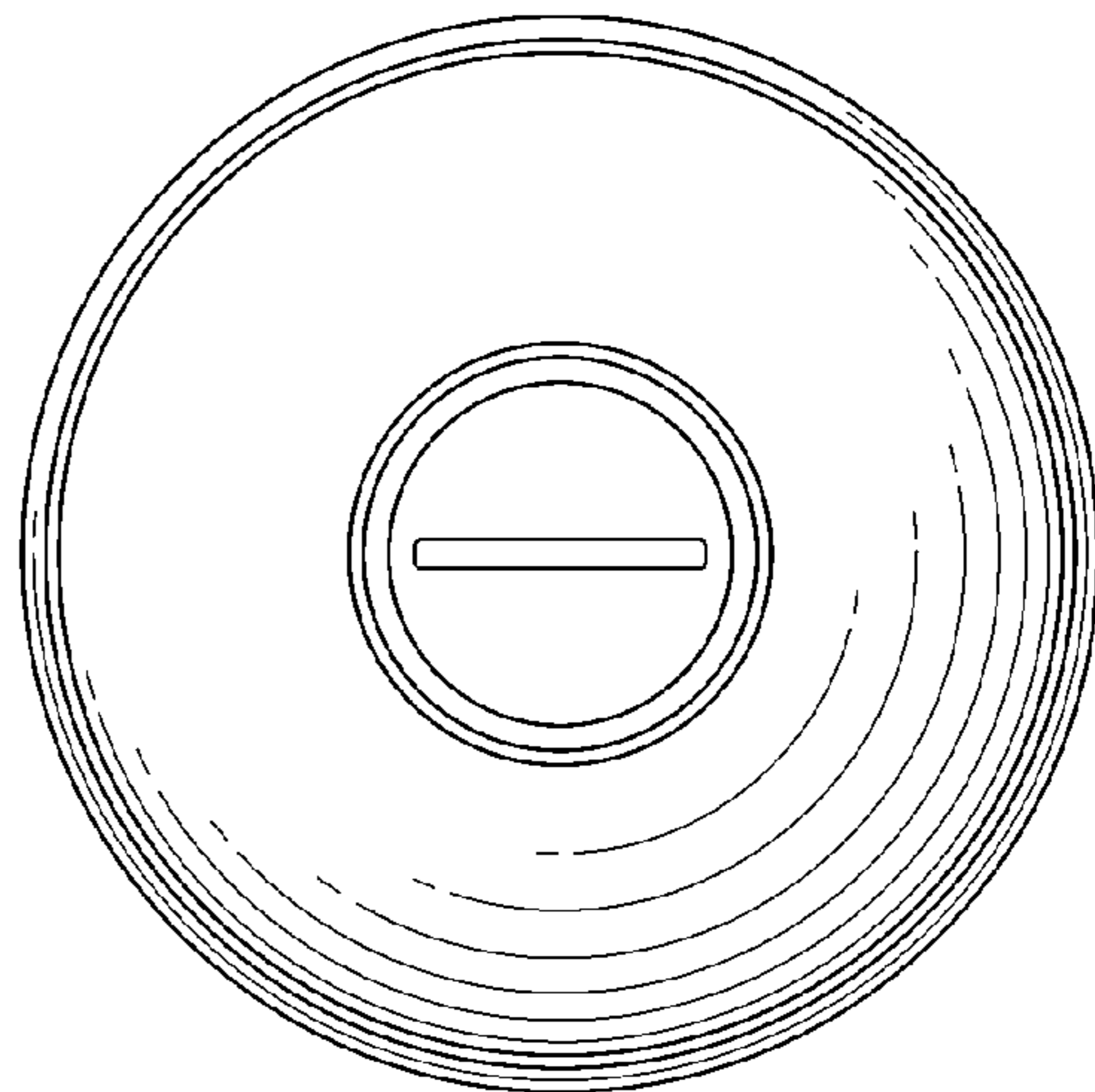


Fig. 5

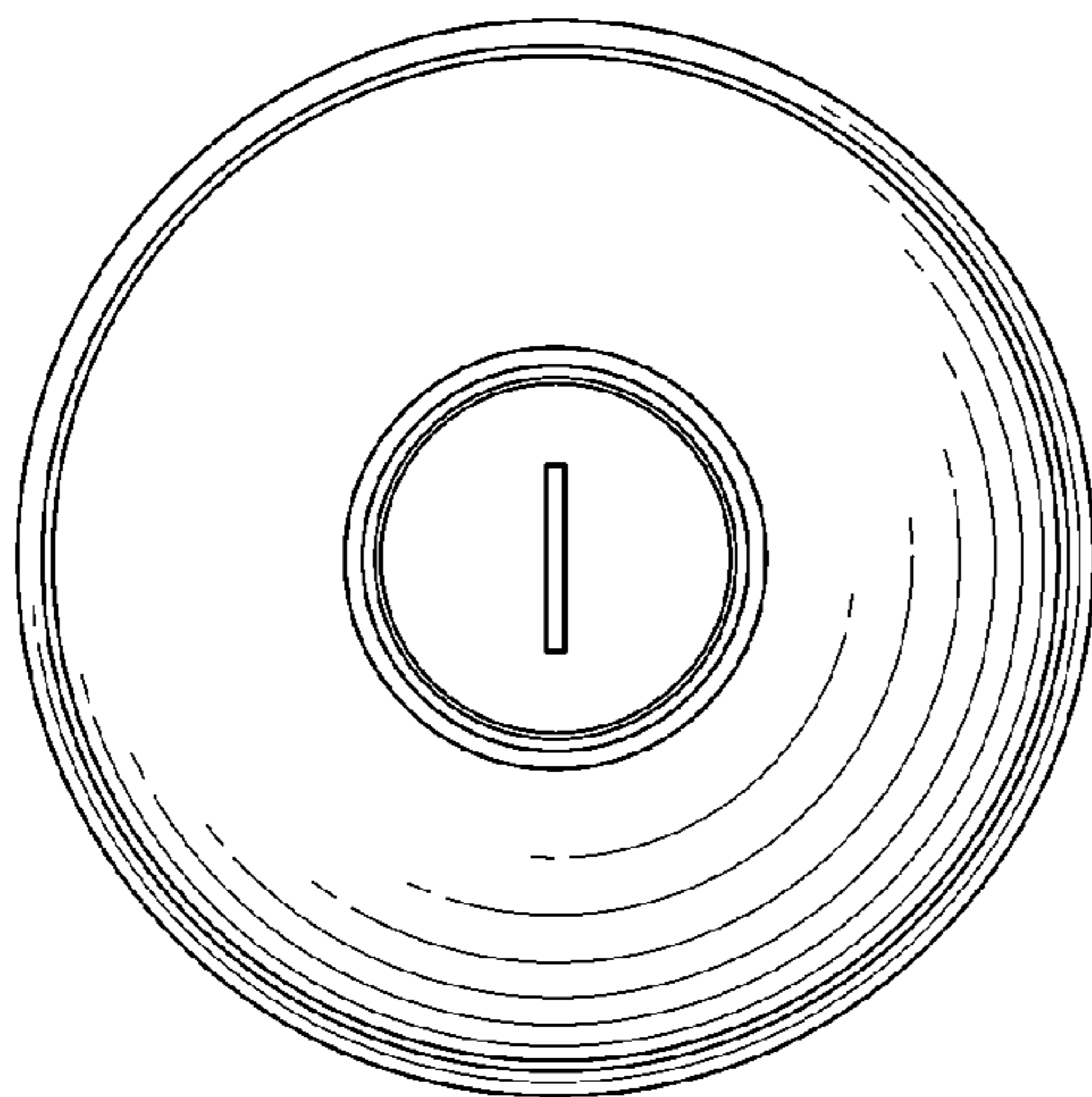


Fig. 6