



US00D718914S

(12) **United States Design Patent**  
**Ashbee et al.**

(10) **Patent No.:** **US D718,914 S**  
(45) **Date of Patent:** **\*\* Dec. 2, 2014**

(54) **VACUUM CLEANER HEAD**

(71) Applicant: **Dyson Technology Limited**, Wiltshire (GB)

(72) Inventors: **Giles Ashbee**, Malmesbury (GB); **Adam James Bates**, Malmesbury (GB); **James Dyson**, Malmesbury (GB); **Peter David Gammack**, Malmesbury (GB); **Daniel Francis Helps**, Malmesbury (GB)

(73) Assignee: **Dyson Technology Limited**, Malmesbury, Wiltshire (GB)

(\*\*) Term: **14 Years**

(21) Appl. No.: **29/462,635**

(22) Filed: **Aug. 6, 2013**

(30) **Foreign Application Priority Data**

Feb. 6, 2013 (EM) ..... 002179390-0003

(51) **LOC (10) Cl.** ..... **15-05**

(52) **U.S. Cl.**  
USPC ..... **D32/32**

(58) **Field of Classification Search**  
USPC ..... D32/31-33, 22, 17; 15/415.1-422, 1, 15/414, 320, 322, 405, 410, 353, 400, 333, 15/334, 335, 350, 327.1-327.7, 354-355, 15/357

See application file for complete search history.

(56) **References Cited**

U.S. PATENT DOCUMENTS

D518,933	S	4/2006	Courtney	
D519,933	S *	5/2006	Suckle et al.	D13/155
D565,265	S *	3/2008	Quance et al.	D32/32
D591,016	S *	4/2009	Dyson et al.	D32/22
D599,513	S *	9/2009	Dyson et al.	D32/32
D600,418	S *	9/2009	Dyson et al.	D32/32
D600,419	S *	9/2009	Dyson et al.	D32/32
D600,869	S *	9/2009	Dyson et al.	D32/32
D616,165	S *	5/2010	McLeod et al.	D32/32
D667,186	S *	9/2012	Codling et al.	D32/32
2011/0214252	A1 *	9/2011	McLeod et al.	15/415.1

OTHER PUBLICATIONS

Ashbee et al., U.S. Office Action mailed Nov. 27, 2013, directed to U.S. Appl. No. 29/462,584; 6 pages.  
Ashbee et al., U.S. Office Action mailed Nov. 27, 2013, directed to U.S. Appl. No. 29/462,508; 6 pages.  
Ashbee et al., U.S. Office Action mailed Nov. 29, 2013, directed to U.S. Appl. No. 29/462,493; 6 pages.

\* cited by examiner

*Primary Examiner* — Ruth McInroy

(74) *Attorney, Agent, or Firm* — Morrison & Foerster LLP

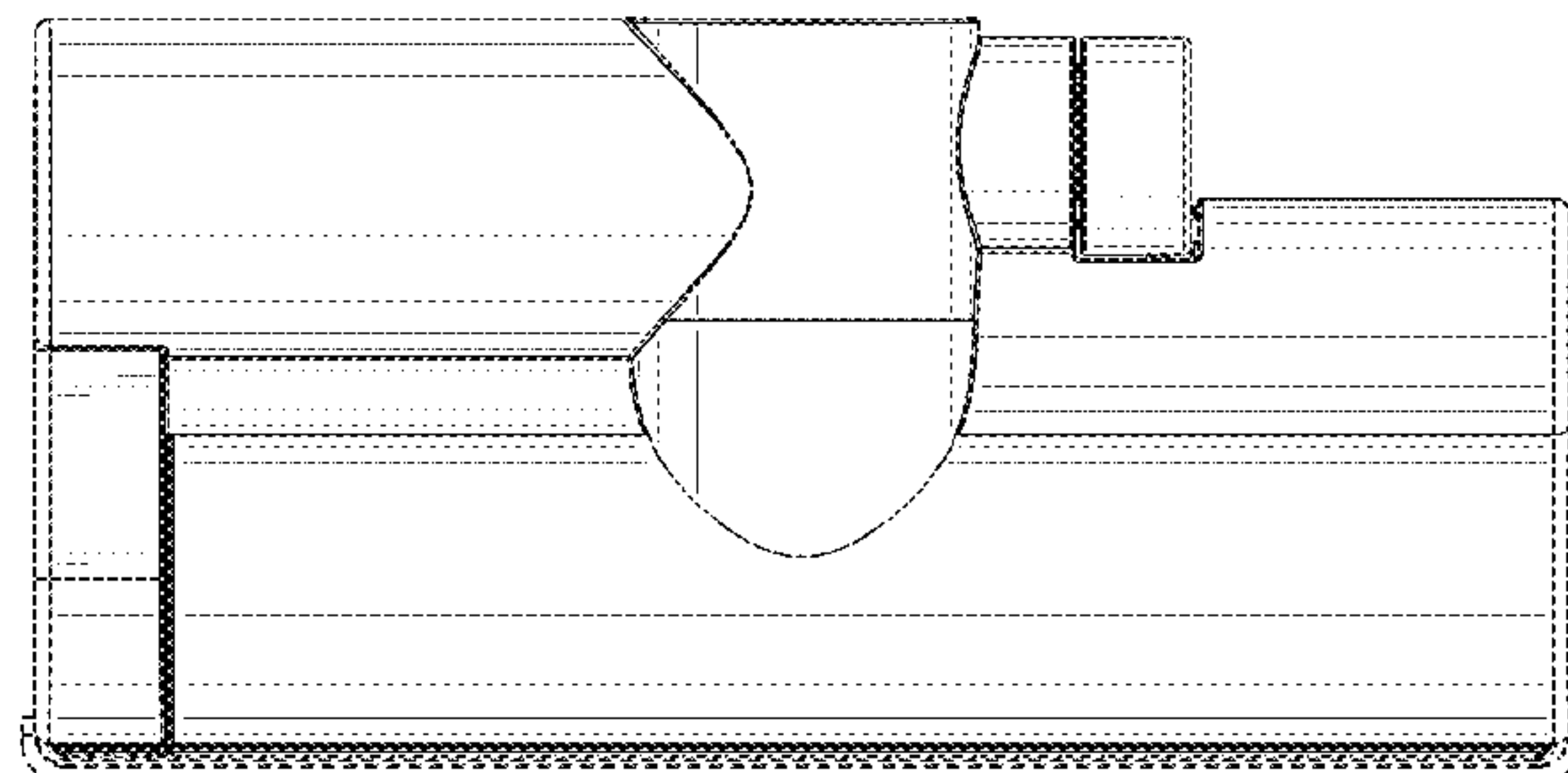
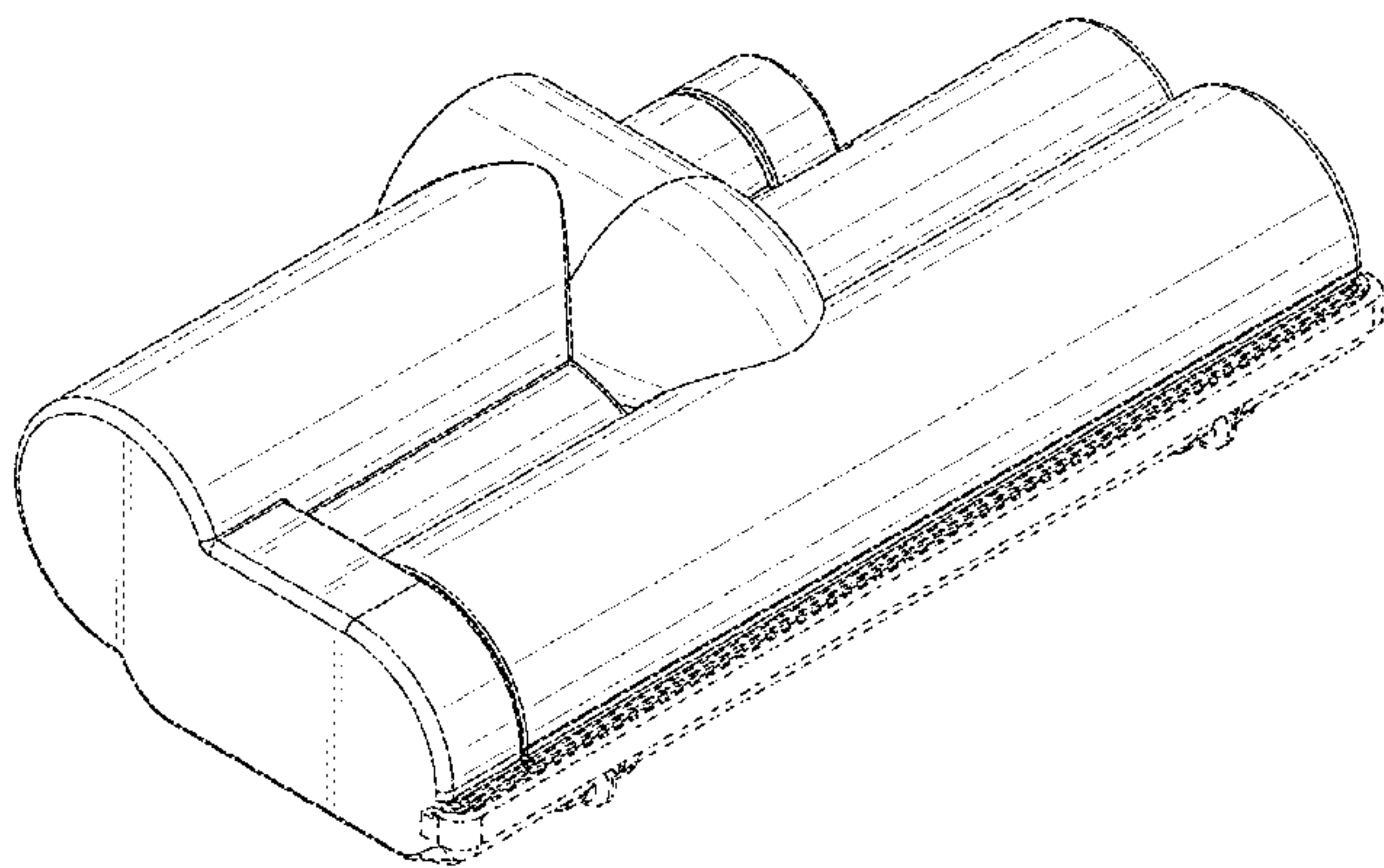
(57) **CLAIM**

We claim the ornamental design for a vacuum cleaner head, as shown and described.

**DESCRIPTION**

FIG. 1 is a perspective view of a vacuum cleaner head showing our new design; and, FIG. 2 is a top view thereof.

**1 Claim, 2 Drawing Sheets**



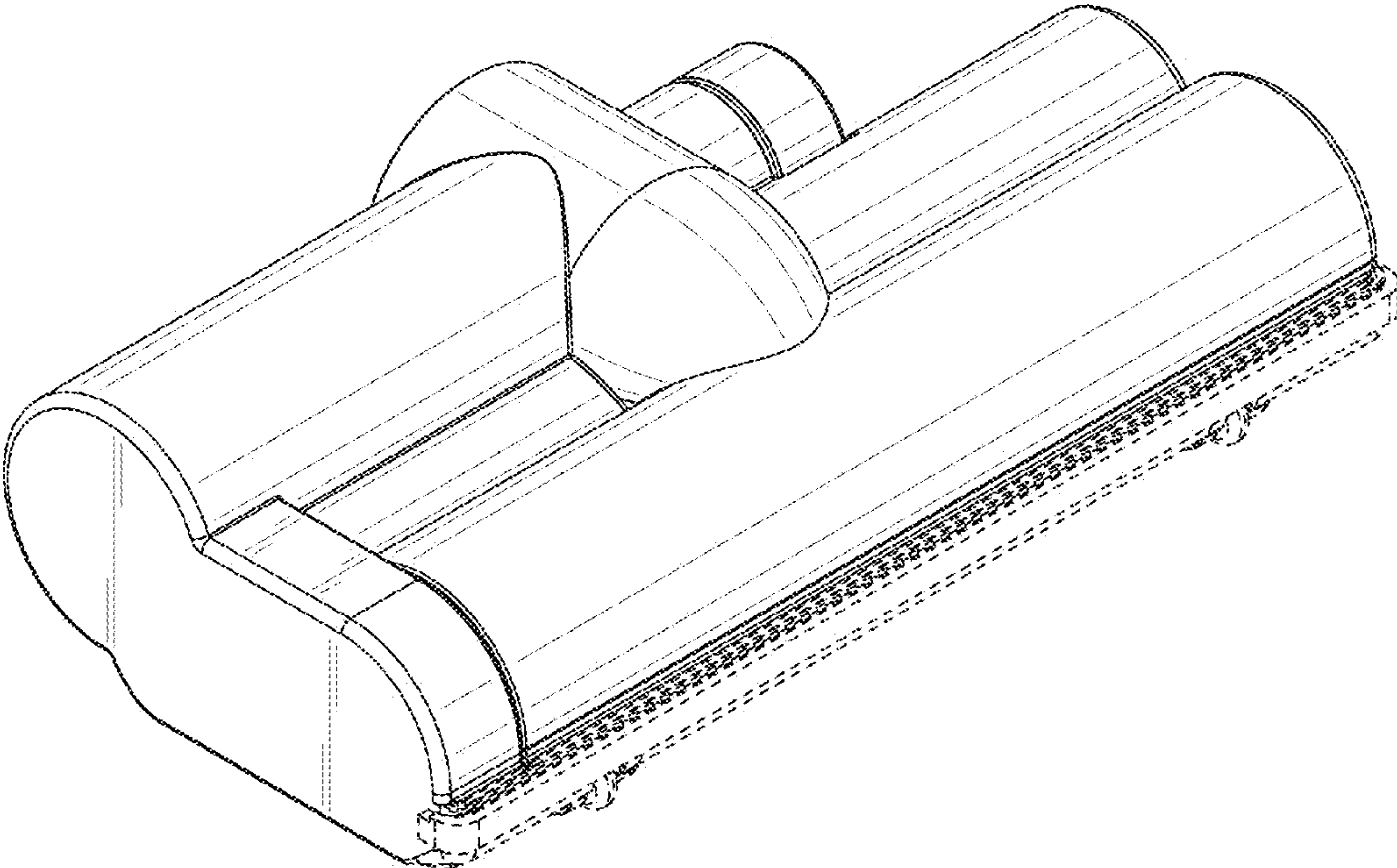


FIG. 1

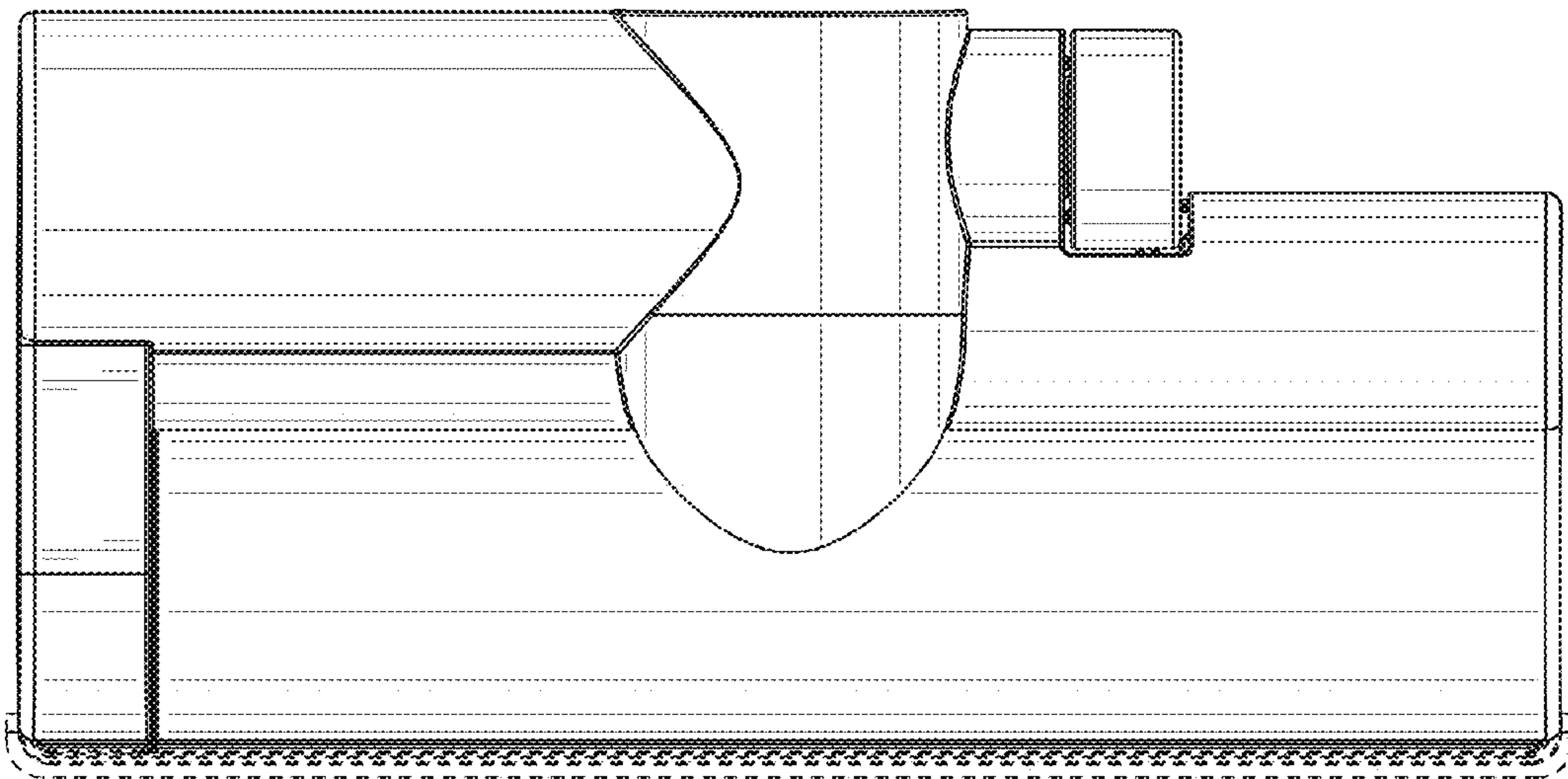


FIG. 2