



US00D718912S

(12) **United States Design Patent**  
**Ashbee et al.**

(10) **Patent No.:** **US D718,912 S**  
(45) **Date of Patent:** **\*\* Dec. 2, 2014**

(54) **VACUUM CLEANER**

(71) Applicant: **Dyson Technology Limited**, Wiltshire (GB)

(72) Inventors: **Giles Ashbee**, Malmesbury (GB); **Adam James Bates**, Malmesbury (GB); **James Dyson**, Malmesbury (GB); **Peter David Gammack**, Malmesbury (GB)

(73) Assignee: **Dyson Technology Limited**, Malmesbury, Wiltshire (GB)

(\*\*) Term: **14 Years**

(21) Appl. No.: **29/464,521**

(22) Filed: **Aug. 16, 2013**

(30) **Foreign Application Priority Data**

Feb. 18, 2013 (EM) ..... 002185959-0002

(51) **LOC (10) Cl.** ..... **15-05**

(52) **U.S. Cl.**  
USPC ..... **D32/21**

(58) **Field of Classification Search**  
USPC ..... D32/21, 23, 24, 30, 31; 55/378, 337, 55/447, 345, DIG. 3, 349, 429, 459.1, 395; 15/327.1, 327.2, 327.4, 327.6, 327.7, 15/347, 353, 337, 411  
See application file for complete search history.

(56) **References Cited**

**U.S. PATENT DOCUMENTS**

D445,226	S	*	7/2001	Jupp	.....	D32/21
D471,683	S	*	3/2003	Dyson et al.	.....	D32/30
D484,286	S	*	12/2003	Dyson et al.	.....	D32/24
D518,611	S	*	4/2006	Hare	.....	D32/21
D555,849	S	*	11/2007	Choi et al.	.....	D32/21
D556,962	S	*	12/2007	Choi et al.	.....	D32/21

D557,469	S	*	12/2007	Choi et al.	.....	D32/21
D557,470	S	*	12/2007	Choi et al.	.....	D32/21
D566,914	S	*	4/2008	Dyson et al.	.....	D32/31
7,425,225	B2	*	9/2008	Genn et al.	.....	55/418
D587,415	S	*	2/2009	Dyson et al.	.....	D32/31
D594,162	S	*	6/2009	Knox et al.	.....	D32/21
D594,608	S	*	6/2009	Dyson et al.	.....	D32/21
D594,609	S	*	6/2009	Dyson et al.	.....	D32/21
D609,416	S	*	2/2010	Hill et al.	.....	D32/31
7,721,385	B2	*	5/2010	Genn et al.	.....	15/347
7,867,307	B2	*	1/2011	Bates et al.	.....	55/343
7,874,040	B2	*	1/2011	Follows et al.	.....	15/347
D657,508	S	*	4/2012	Dyson et al.	.....	D32/21
D657,511	S	*	4/2012	Dyson et al.	.....	D32/31
D670,052	S	*	10/2012	Dos Reis	.....	D32/31
D670,053	S	*	10/2012	Dyson et al.	.....	D32/31
D670,054	S	*	10/2012	Dyson et al.	.....	D32/31
D673,743	S	*	1/2013	Dyson et al.	.....	D32/31
D676,206	S	*	2/2013	Dyson et al.	.....	D32/31
D677,027	S	*	2/2013	Dyson et al.	.....	D32/31
D677,442	S	*	3/2013	Dyson et al.	.....	D32/31
D677,845	S	*	3/2013	Dyson et al.	.....	D32/31
D677,846	S	*	3/2013	Dyson et al.	.....	D32/31
8,429,791	B2	*	4/2013	White	.....	15/411
8,474,091	B2	*	7/2013	Dyson et al.	.....	15/327.2

(Continued)

*Primary Examiner* — Ruth McInroy

(74) *Attorney, Agent, or Firm* — Morrison & Foerster LLP

(57) **CLAIM**

We claim the ornamental design for a vacuum cleaner, as shown and described.

**DESCRIPTION**

FIG. 1 is a side view of a vacuum cleaner showing our new design;

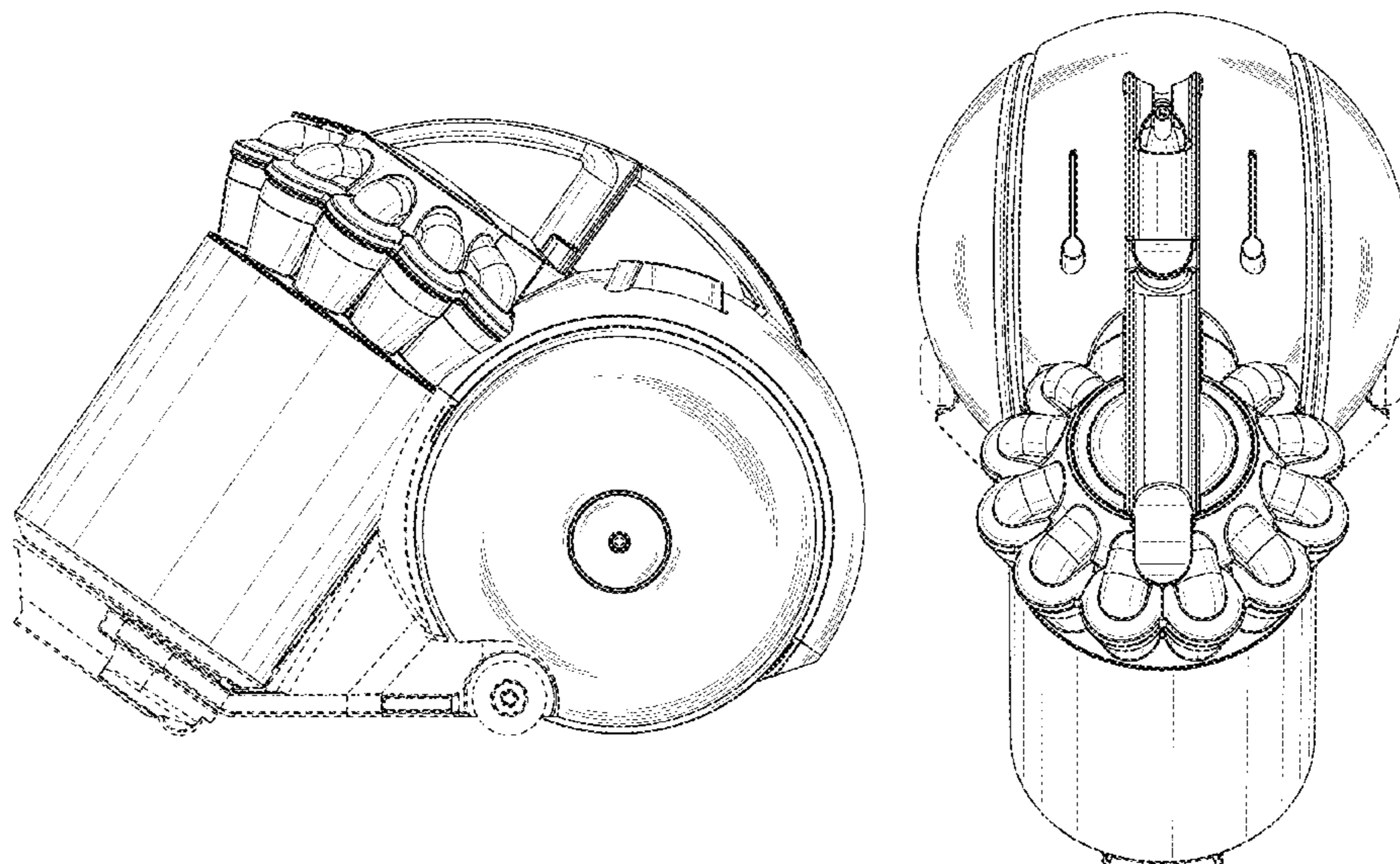
FIG. 2 is a side view of the opposite side of FIG. 1;

FIG. 3 is a rear view thereof; and,

FIG. 4 is a top view thereof.

The details shown in broken lines form no part of the claimed design.

**1 Claim, 4 Drawing Sheets**



(56)

**References Cited**

U.S. PATENT DOCUMENTS

2006/0213023	A1 *	9/2006	Hare et al. ....	15/327.2	2010/0242208	A1 *	9/2010	Gammack et al. ....	15/327.1
2007/0294856	A1 *	12/2007	Park .....	15/347	2012/0272474	A1 *	11/2012	Follows et al. ....	15/347
2009/0113663	A1 *	5/2009	Follows et al. ....	15/347	2012/0284952	A1 *	11/2012	Horne .....	15/347
2010/0218338	A1 *	9/2010	McLeod .....	15/347	2012/0284954	A1 *	11/2012	Horne .....	15/347
					2012/0284960	A1 *	11/2012	Sutton et al. ....	15/353
					2013/0160233	A1 *	6/2013	Peace et al. ....	15/353

\* cited by examiner

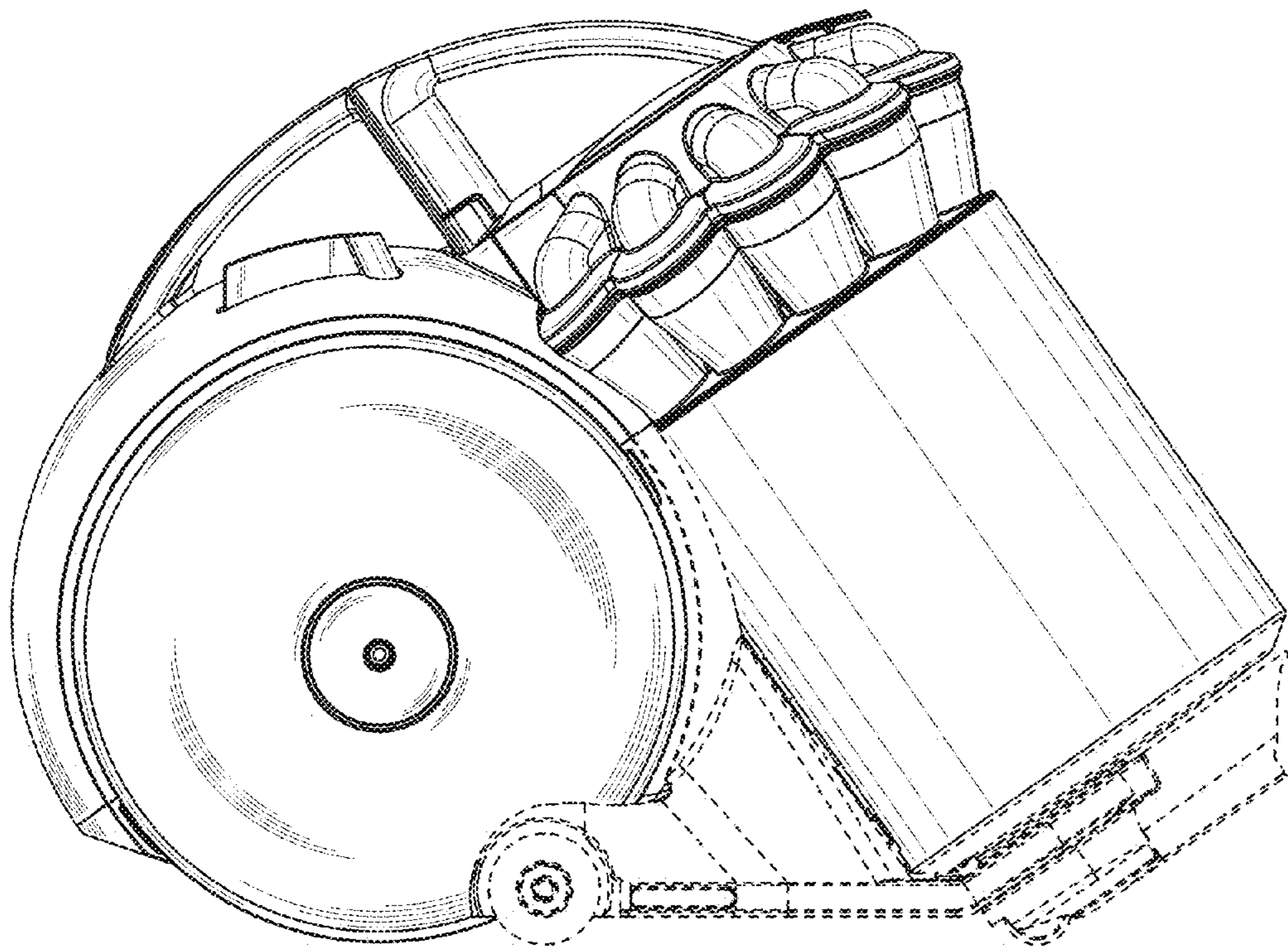


FIG. 1

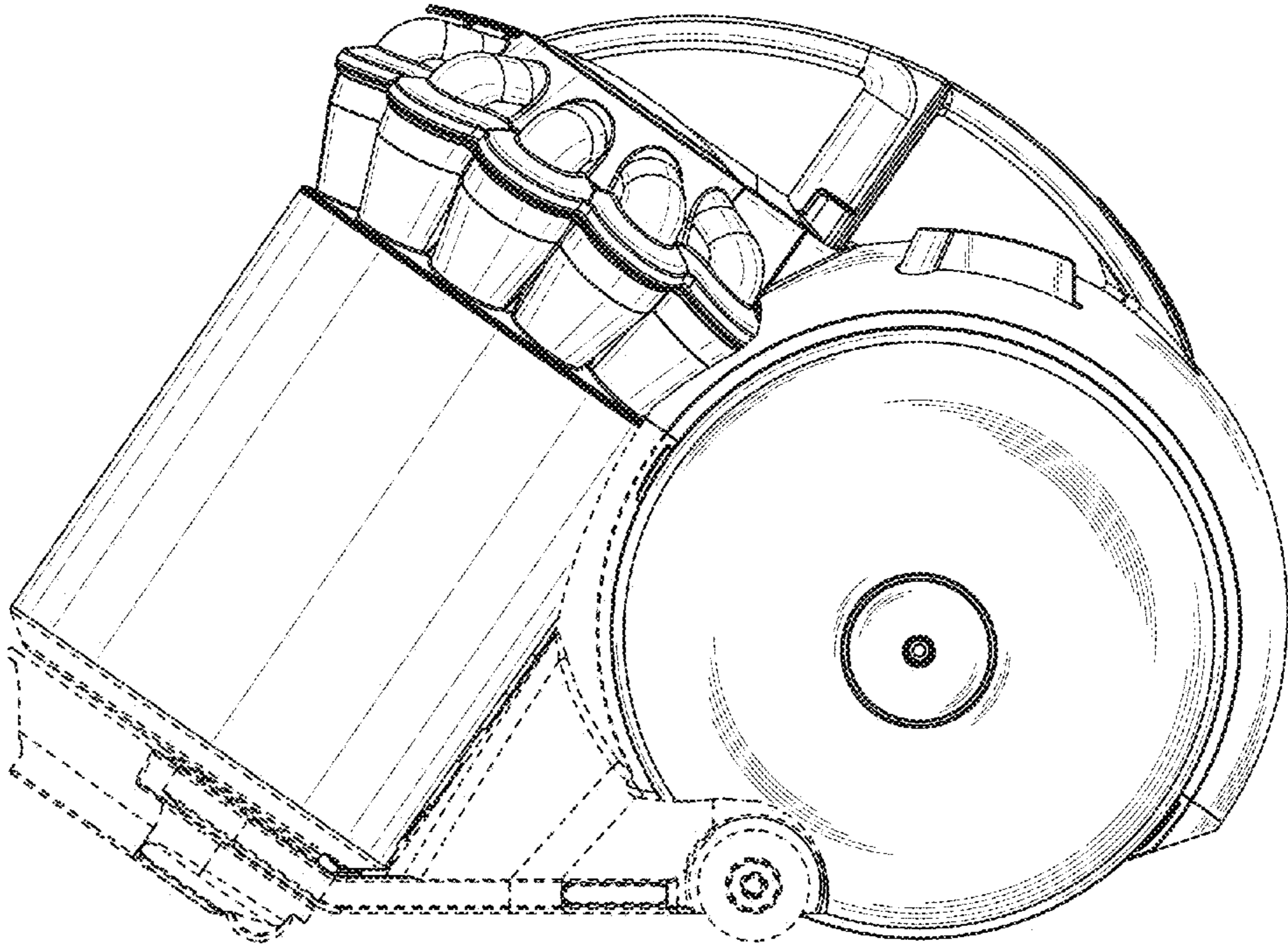


FIG. 2

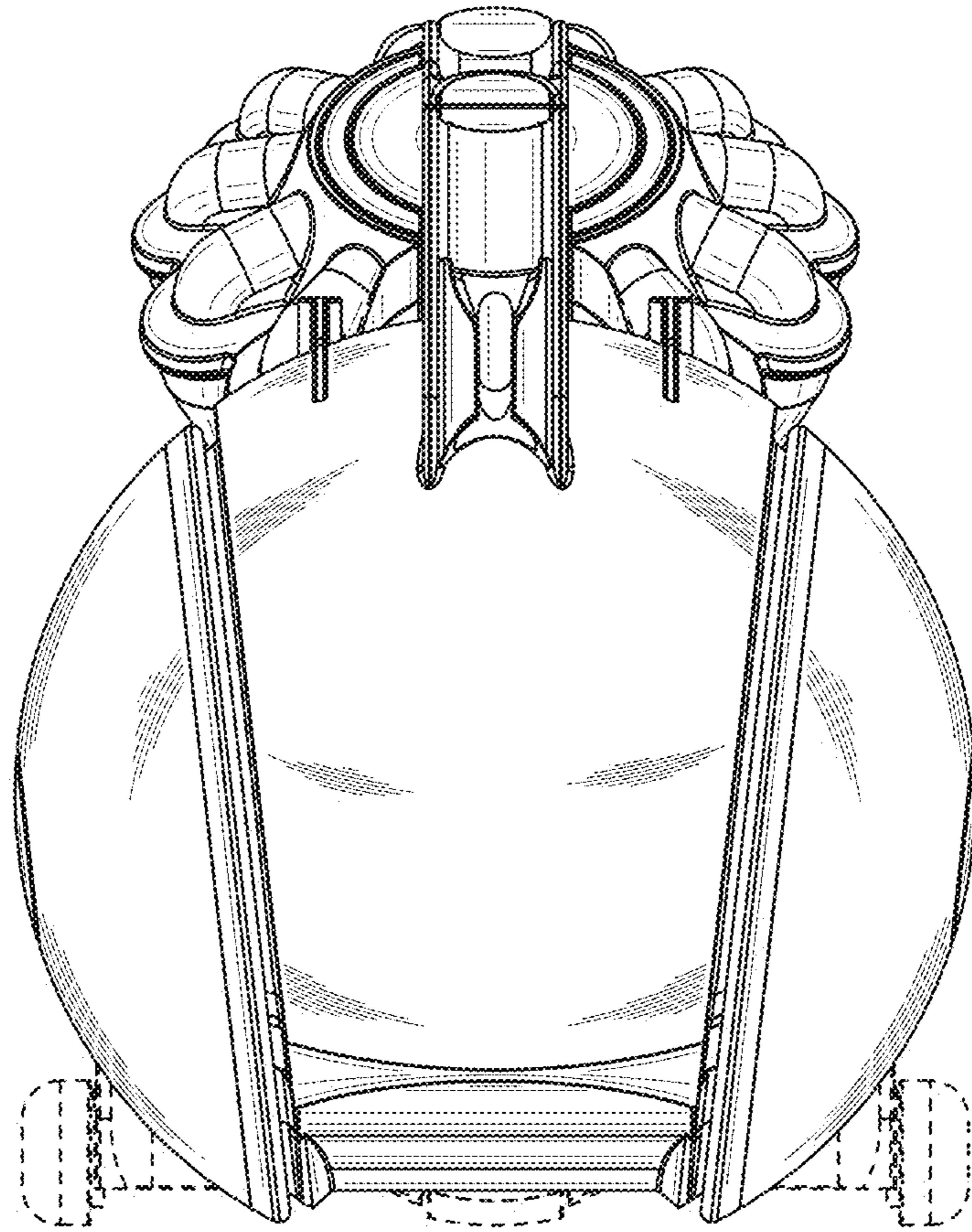


FIG. 3

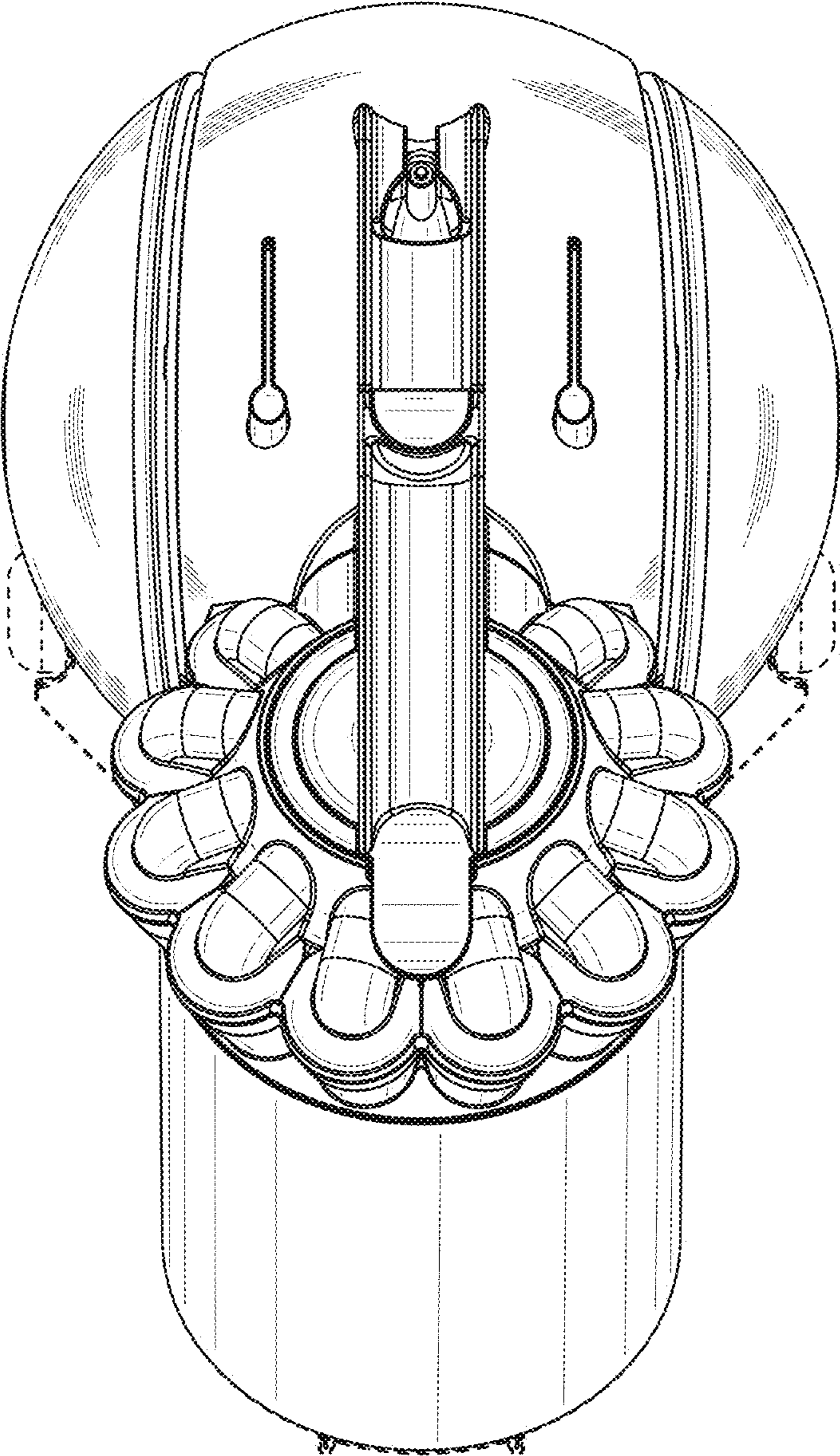


FIG. 4