



US00D718911S

(12) **United States Design Patent**
Vanderstegen-Drake et al.

(10) **Patent No.:** **US D718,911 S**
(45) **Date of Patent:** **** Dec. 2, 2014**

- (54) **VACUUM CLEANER**
- (71) Applicant: **Dyson Technology Limited**, Wiltshire (GB)
- (72) Inventors: **Mark Stamford Vanderstegen-Drake**, Malmesbury (GB); **Peter David Gammack**, Malmesbury (GB); **Jonathan George Marsh**, Malmesbury (GB); **Adam James Bates**, Malmesbury (GB)
- (73) Assignee: **Dyson Technology Limited**, Malmesbury, Wiltshire (GB)
- (**) Term: **14 Years**
- (21) Appl. No.: **29/450,789**
- (22) Filed: **Mar. 22, 2013**
- (30) **Foreign Application Priority Data**

7,441,298	B2 *	10/2008	Svendsen et al.	15/49.1
D586,959	S *	2/2009	Geringer et al.	D32/21
D593,265	S *	5/2009	Carr et al.	D32/21
D596,815	S *	7/2009	Baek	D32/21
7,832,048	B2 *	11/2010	Harwig et al.	15/320
D658,341	S *	4/2012	Nam et al.	D32/21
D659,920	S *	5/2012	Lee et al.	D32/21
D661,032	S *	5/2012	Lee et al.	D32/21
D661,439	S *	6/2012	Lee et al.	D32/21
D661,440	S *	6/2012	Lee et al.	D32/21
D665,547	S *	8/2012	Nam et al.	D32/21
D669,235	S *	10/2012	Bassett et al.	D32/21
D670,877	S *	11/2012	Geringer et al.	D32/21
8,370,985	B2 *	2/2013	Schnittman et al.	15/41.1
8,438,695	B2 *	5/2013	Gilbert et al.	15/319
D690,478	S *	9/2013	Li et al.	D32/21
D691,337	S *	10/2013	Kim et al.	D32/21
8,584,307	B2 *	11/2013	Won et al.	15/319
8,627,542	B2 *	1/2014	Kim et al.	15/319
2006/0288519	A1 *	12/2006	Jaworski et al.	15/340.1
2007/0266508	A1 *	11/2007	Jones et al.	15/49.1
2011/0191976	A1 *	8/2011	Yan	15/319
2012/0023699	A1 *	2/2012	Shim et al.	15/319
2012/0047676	A1 *	3/2012	Jung et al.	15/319

(Continued)

Sep. 24, 2012 (EM) 001344600-0001

- (51) **LOC (10) Cl.** **15-05**
- (52) **U.S. Cl.**
USPC **D32/21**
- (58) **Field of Classification Search**
USPC D32/21, 23, 31; 15/319.353, 320, 339,
15/340.1, 383, 363, 340.4, 246.2, 384,
15/388, 392, 49.1; 180/6.2; 318/568.12;
901/1; 701/2
See application file for complete search history.

(56) **References Cited**

U.S. PATENT DOCUMENTS

D527,854	S *	9/2006	Marzynski	D32/21
D548,411	S *	8/2007	Schroter	D32/21
D548,902	S *	8/2007	Chun et al.	D32/21
D556,961	S *	12/2007	Swyst et al.	D32/21

Primary Examiner — Ruth McInroy

(74) *Attorney, Agent, or Firm* — Morrison & Foerster LLP

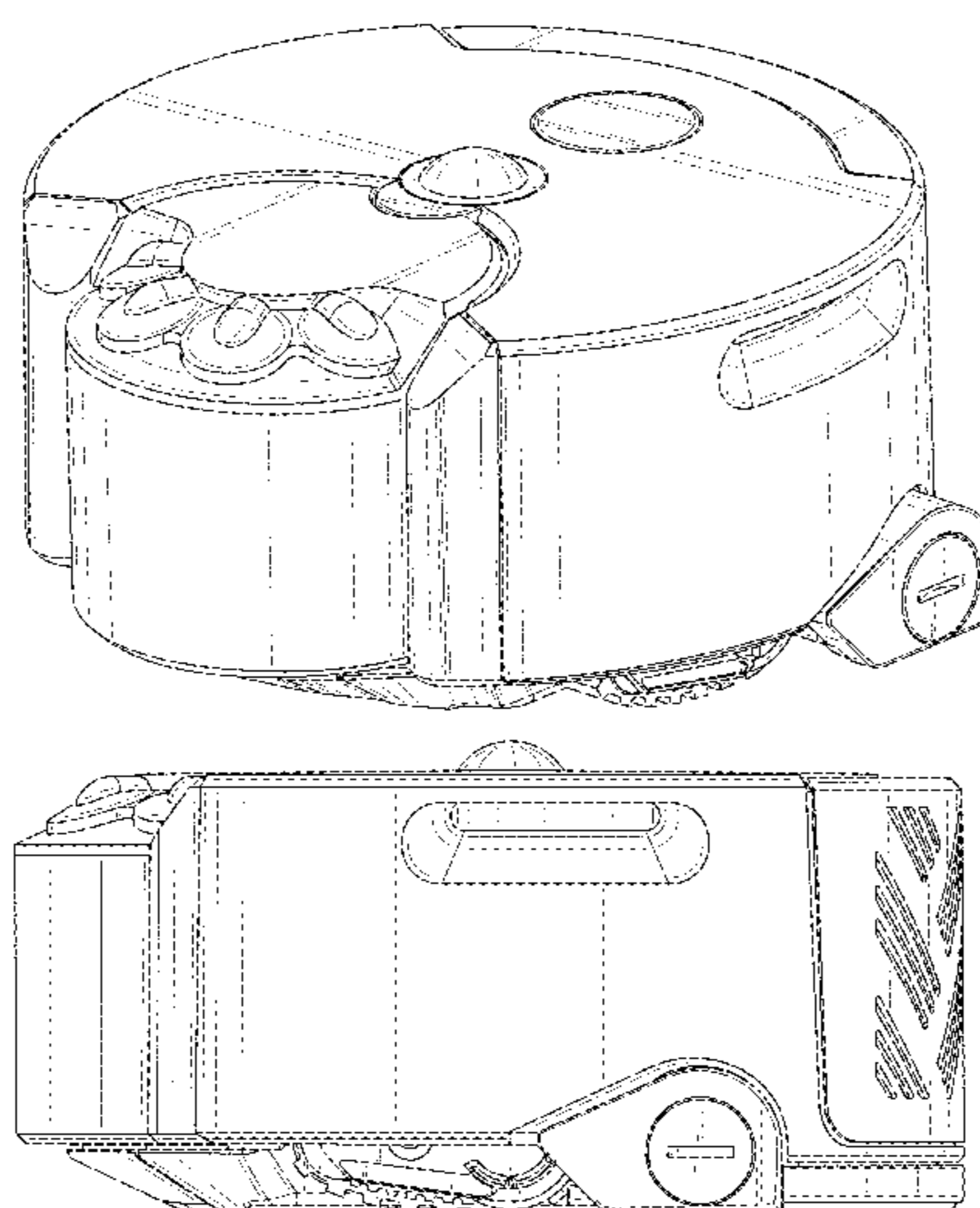
(57) **CLAIM**

We claim the ornamental design for a vacuum cleaner, as shown and described.

DESCRIPTION

FIG. 1 is a perspective view of a vacuum cleaner showing our new design;
 FIG. 2 is a top view thereof;
 FIG. 3 is a front view thereof;
 FIG. 4 is a side view thereof;
 FIG. 5 is a rear view thereof;
 FIG. 6 is a side view of the opposite side of FIG. 4; and,
 FIG. 7 is a bottom view thereof.

1 Claim, 7 Drawing Sheets



(56)

References Cited

U.S. PATENT DOCUMENTS

2012/0084934	A1*	4/2012	Li	15/319	2013/0061417	A1*	3/2013	Vanderstegen-Drake et al.	15/319
2012/0317744	A1*	12/2012	Gilbert et al.	15/319	2013/0086760	A1*	4/2013	Han et al.	15/49.1
2012/0317745	A1*	12/2012	Jung et al.	15/319	2013/0152332	A1*	6/2013	Jang	15/319
2013/0025085	A1*	1/2013	Kim et al.	15/319	2013/0305484	A1*	11/2013	Dyson et al.	15/353
					2013/0340201	A1*	12/2013	Jang et al.	15/319

* cited by examiner

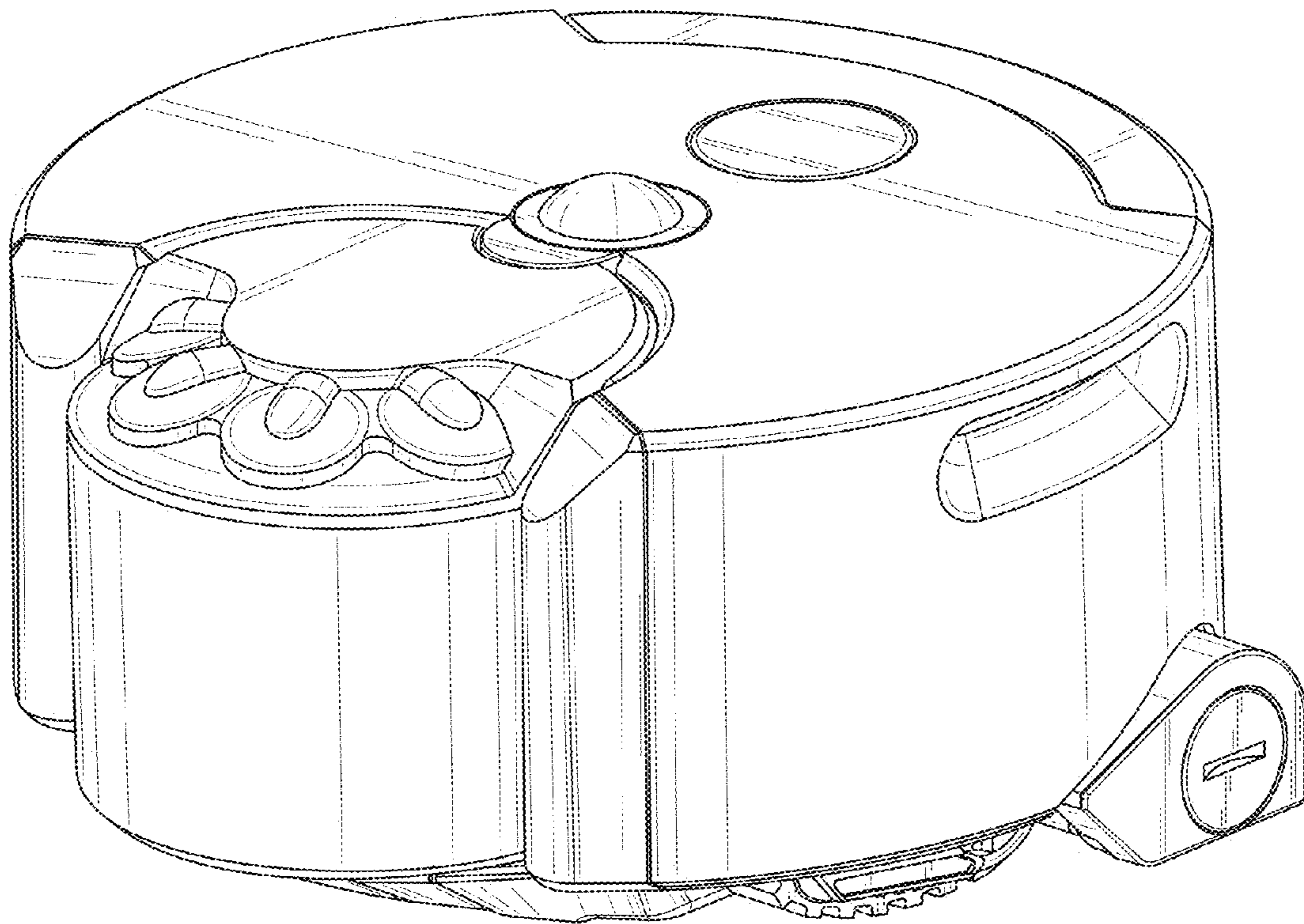


FIG. 1

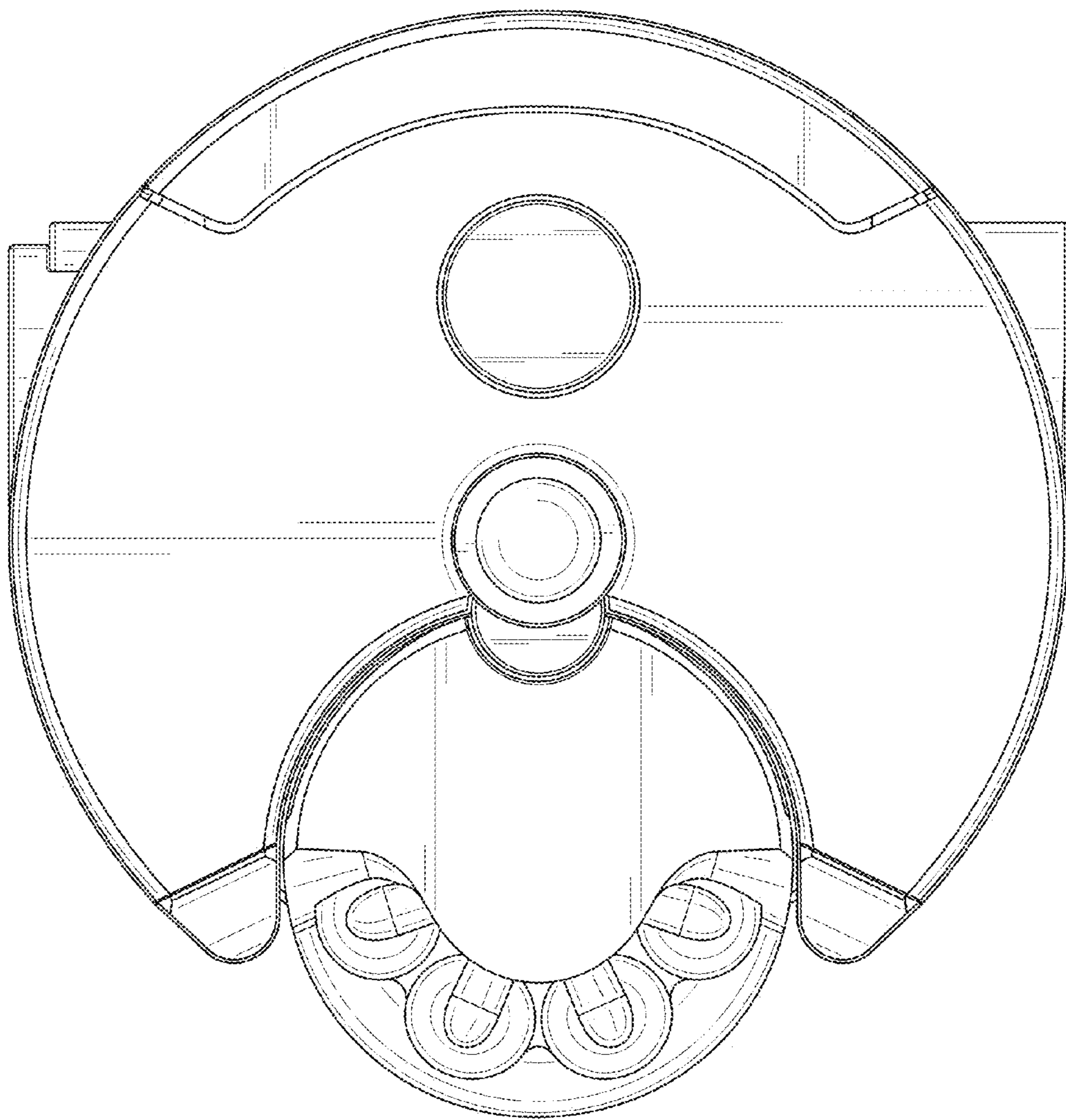


FIG. 2

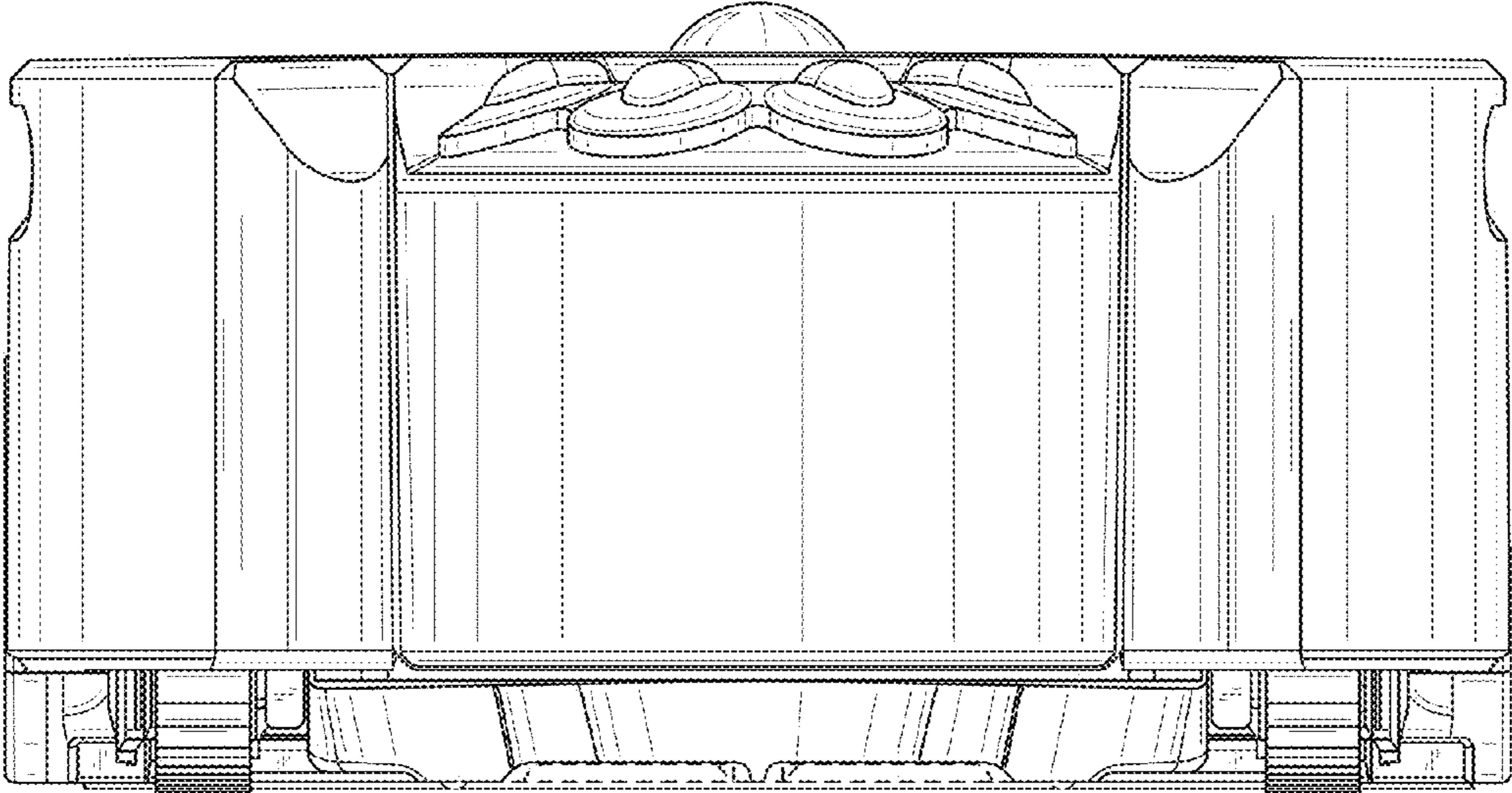


FIG. 3

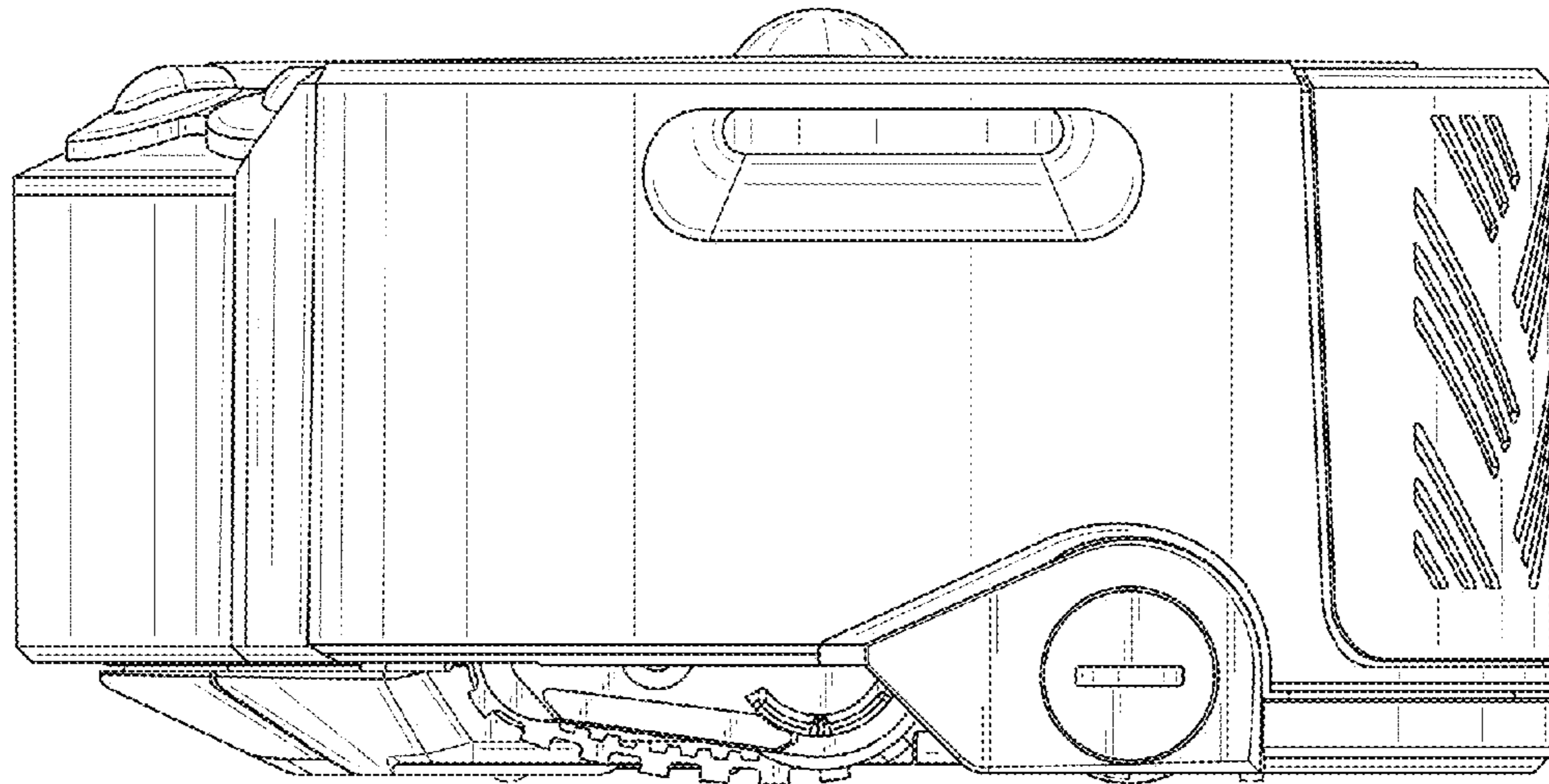


FIG. 4

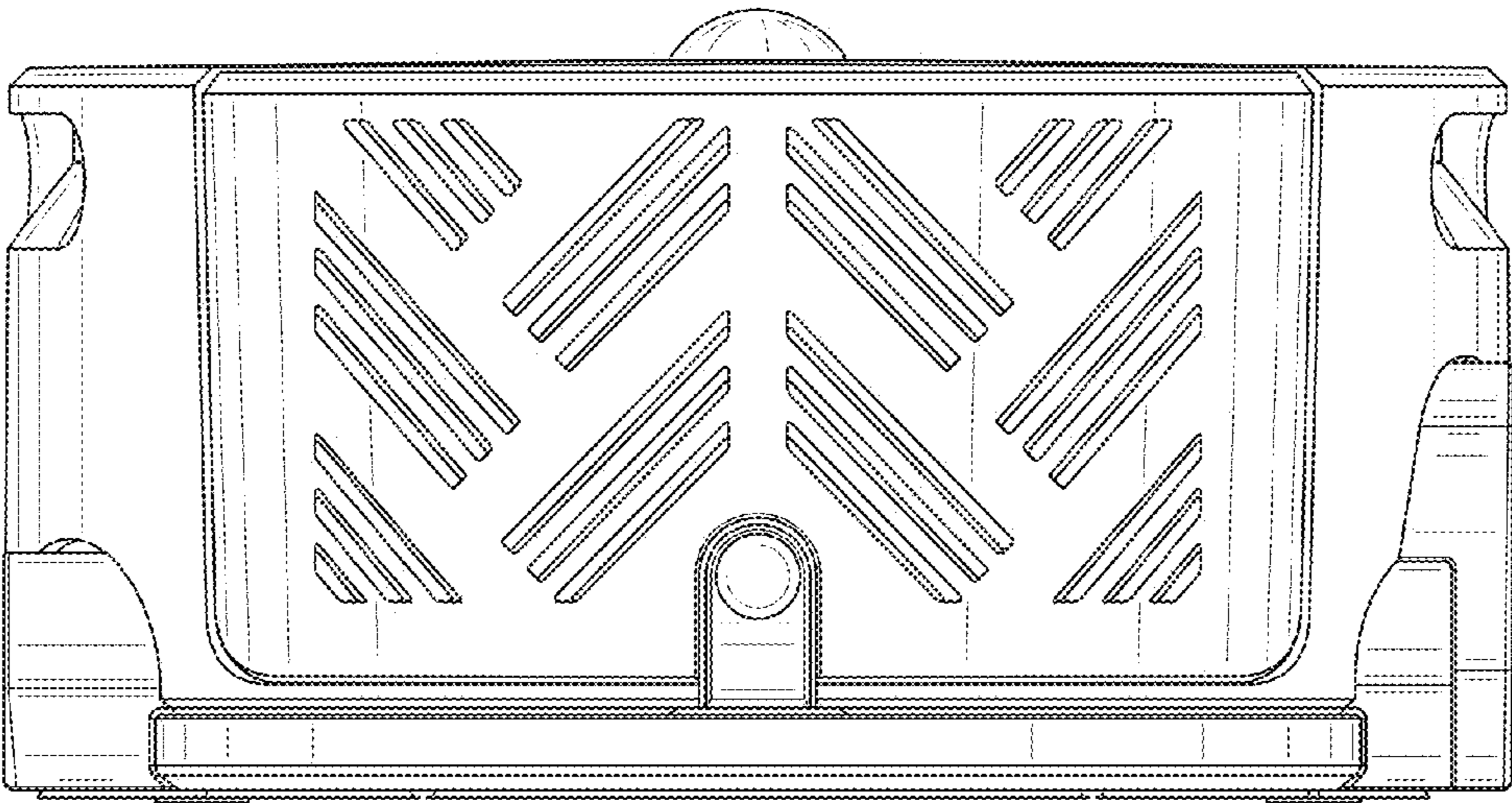


FIG. 5

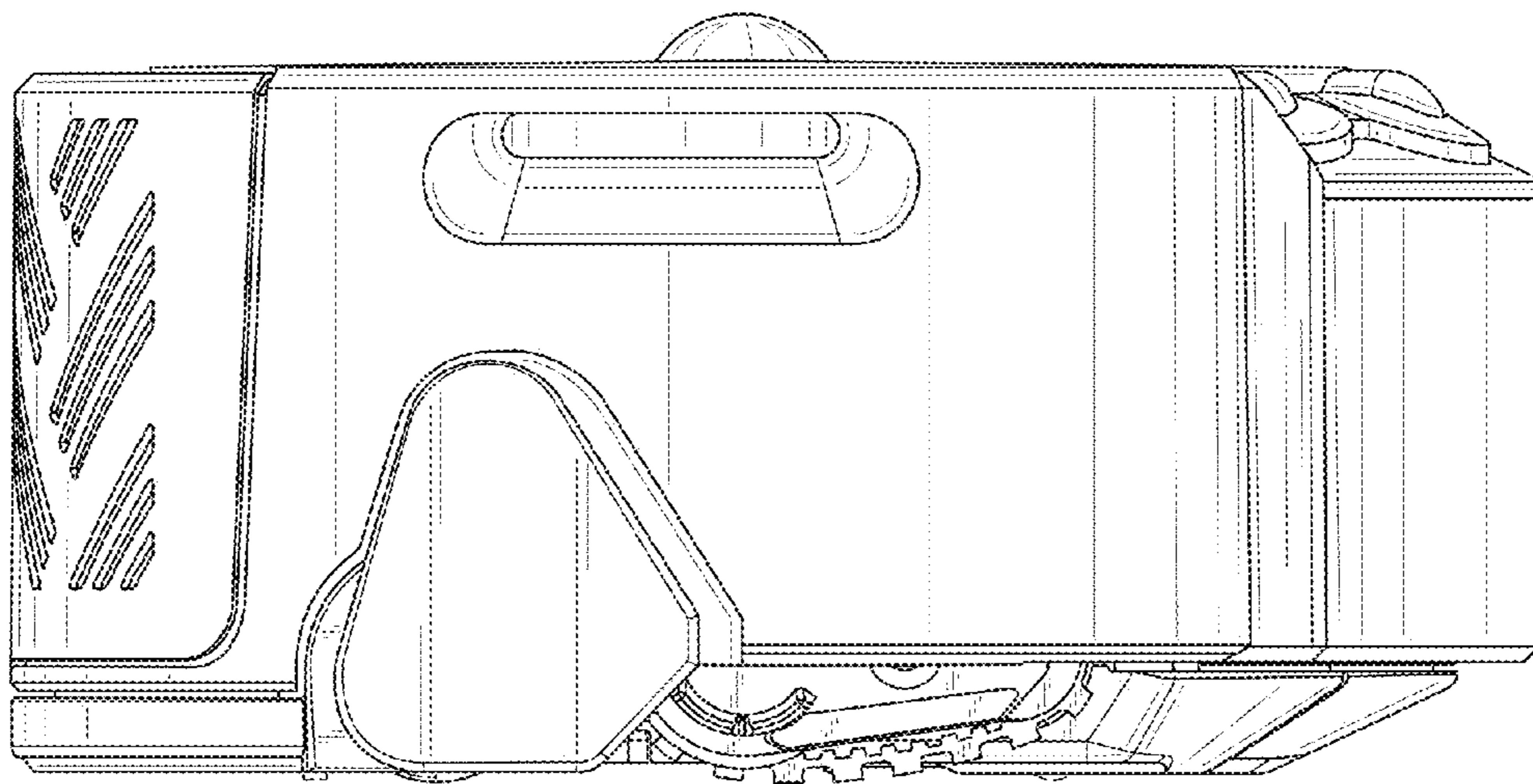


FIG. 6

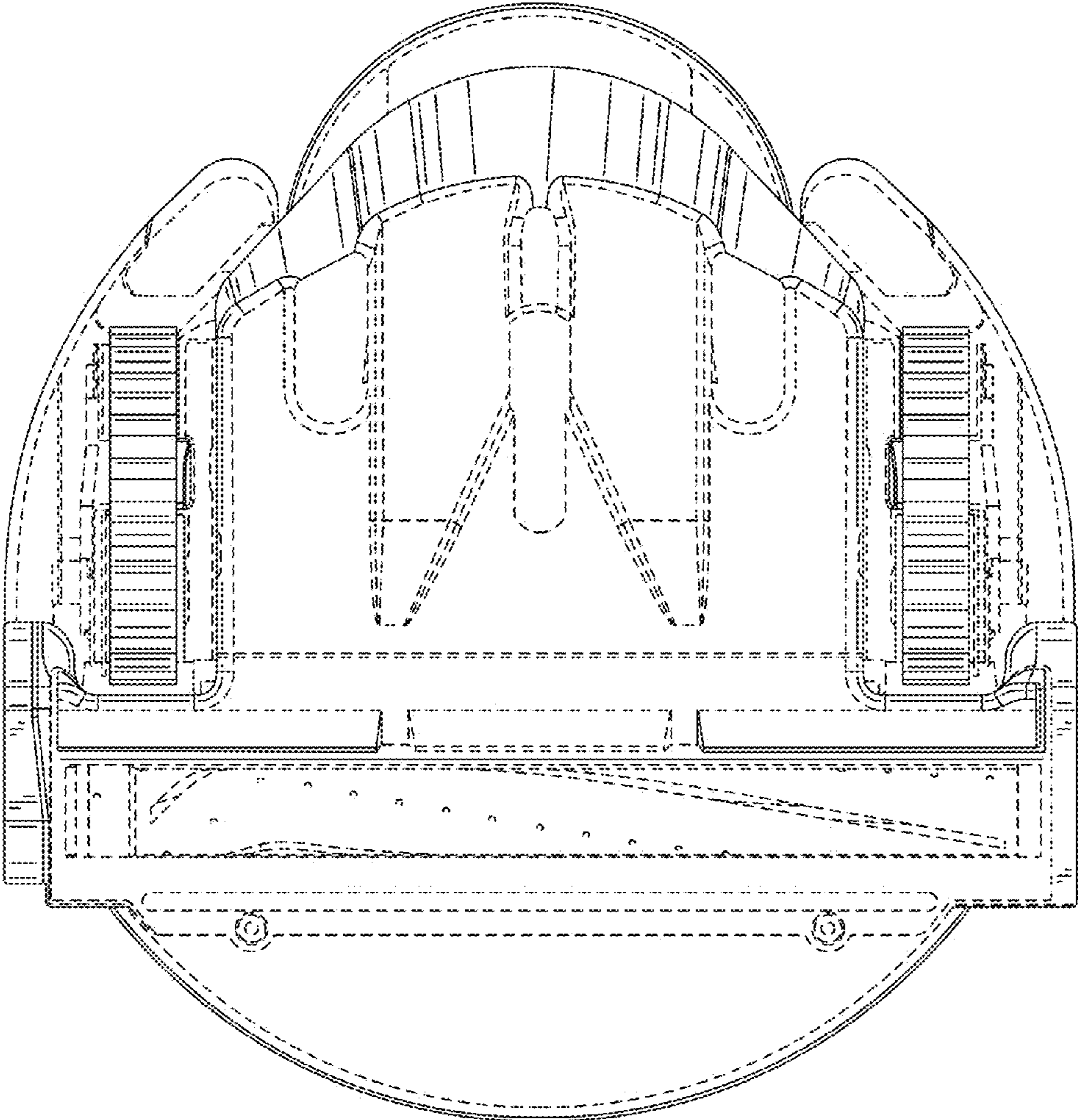


FIG. 7