



US00D718910S

(12) **United States Design Patent**
Svantesson

(10) **Patent No.:** **US D718,910 S**

(45) **Date of Patent:** **** Dec. 2, 2014**

(54) **VACUUM CLEANER**

(71) Applicant: **Aktiebolaget Electrolux**, Stockholm (SE)

(72) Inventor: **Esbjorn Svantesson**, Taby (SE)

(73) Assignee: **Aktiebolaget Electrolux**, Stockholm (SE)

(**) Term: **14 Years**

(21) Appl. No.: **29/450,259**

(22) Filed: **Mar. 15, 2013**

(30) **Foreign Application Priority Data**

Sep. 18, 2012 (EM) 002105353

(51) **LOC (10) Cl.** **15-05**

(52) **U.S. Cl.**
USPC **D32/21**

(58) **Field of Classification Search**
USPC D32/21, 23, 24, 30, 31; 55/378, 337,
55/447, 345, DIG. 3, 349, 429, 459.1, 395;
15/327.1, 327.2, 327.4, 327.6, 327.7,
15/347, 353, 337, 411
See application file for complete search history.

(56) **References Cited**

U.S. PATENT DOCUMENTS

D505,761 S * 5/2005 Gammack et al. D32/21
D553,311 S * 10/2007 Shin D32/21

D554,308 S * 10/2007 Shin D32/21
D556,962 S * 12/2007 Choi et al. D32/21
D565,813 S * 4/2008 Shin D32/21
D581,112 S * 11/2008 Baek D32/21
D594,162 S * 6/2009 Knox et al. D32/21
D594,609 S * 6/2009 Dyson et al. D32/21
D600,415 S * 9/2009 Svantesson D32/21
7,721,385 B2 * 5/2010 Genn et al. 15/347
D620,654 S * 7/2010 Kim D32/21
D647,264 S * 10/2011 Luebbering et al. D32/31
2006/0213023 A1 * 9/2006 Hare et al. 15/327.2

* cited by examiner

Primary Examiner — Ruth McInroy

(74) *Attorney, Agent, or Firm* — Banner & Witcoff, Ltd.

(57) **CLAIM**

The ornamental design for a vacuum cleaner, as shown and described.

DESCRIPTION

FIG. 1 is a perspective view of a vacuum cleaner showing my new design;

FIG. 2 is a front view thereof,

FIG. 3 is a left side view thereof;

FIG. 4 is a top plan view thereof;

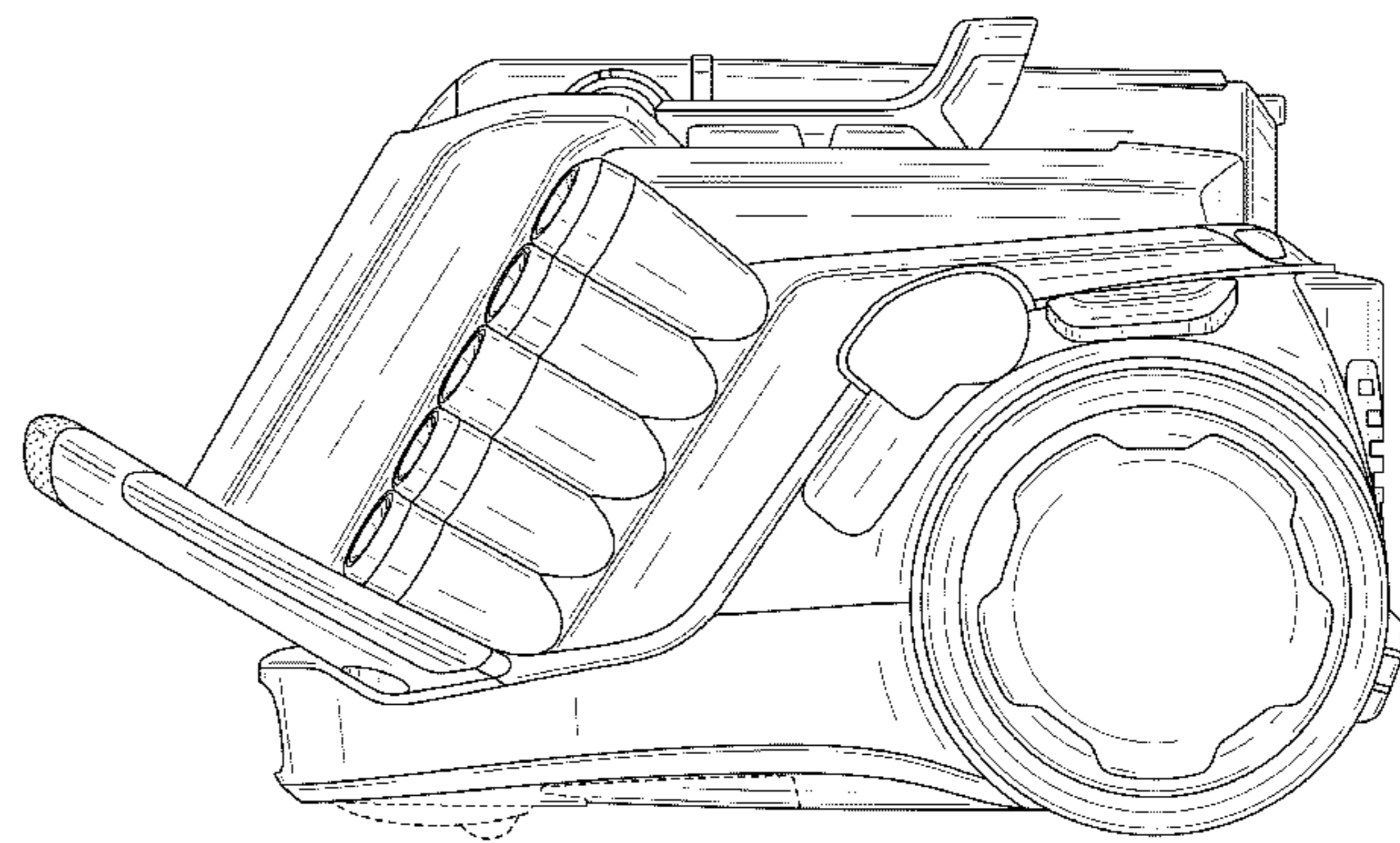
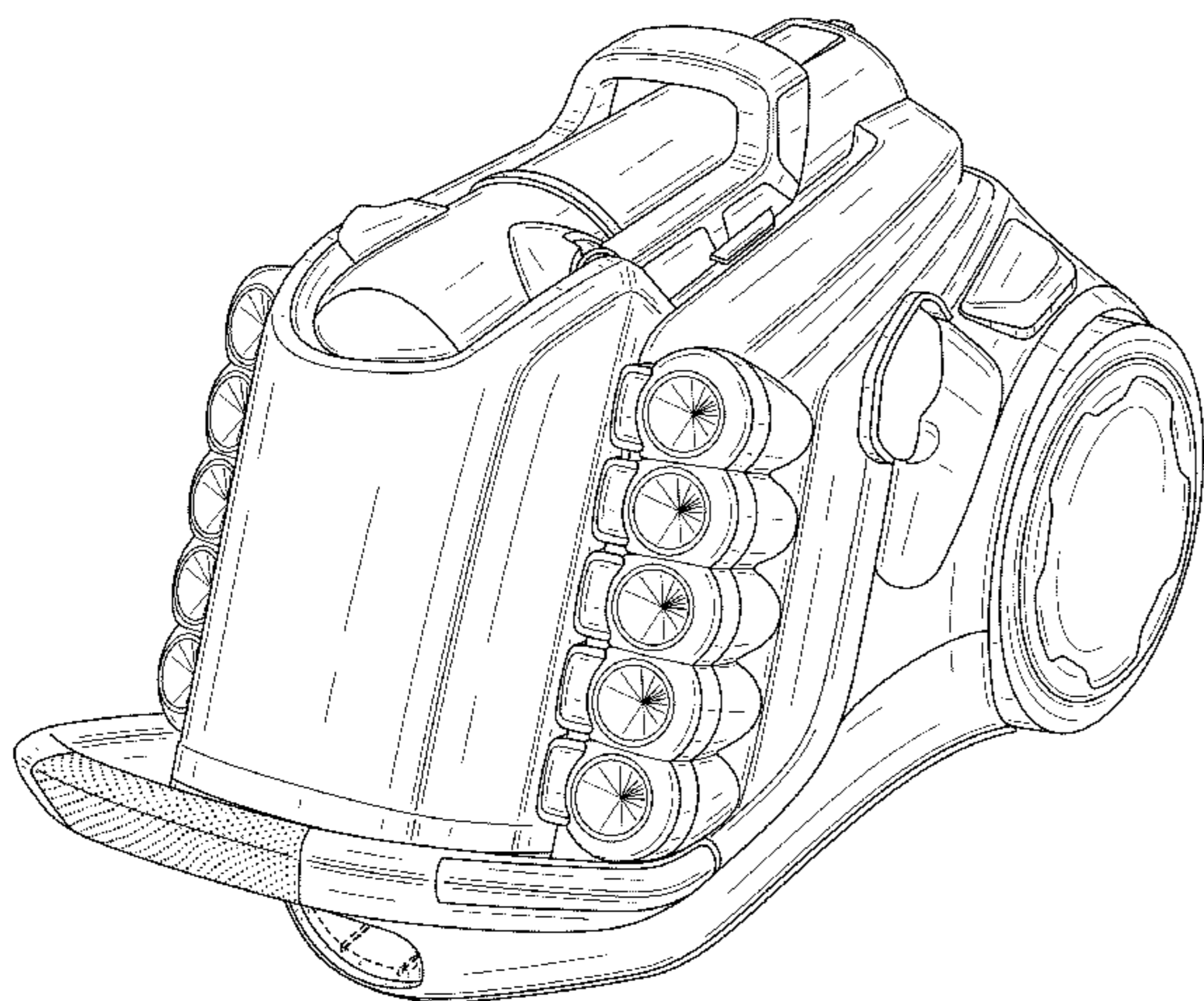
FIG. 5 is a right side view thereof;

FIG. 6 is a rear view thereof; and,

FIG. 7 is a bottom plan view thereof.

The broken line showing of the hose attachment region, features on the bottom surface and the trapezoidal region on the rear surface is for environmental purposes only and forms no part of the claimed design.

1 Claim, 7 Drawing Sheets



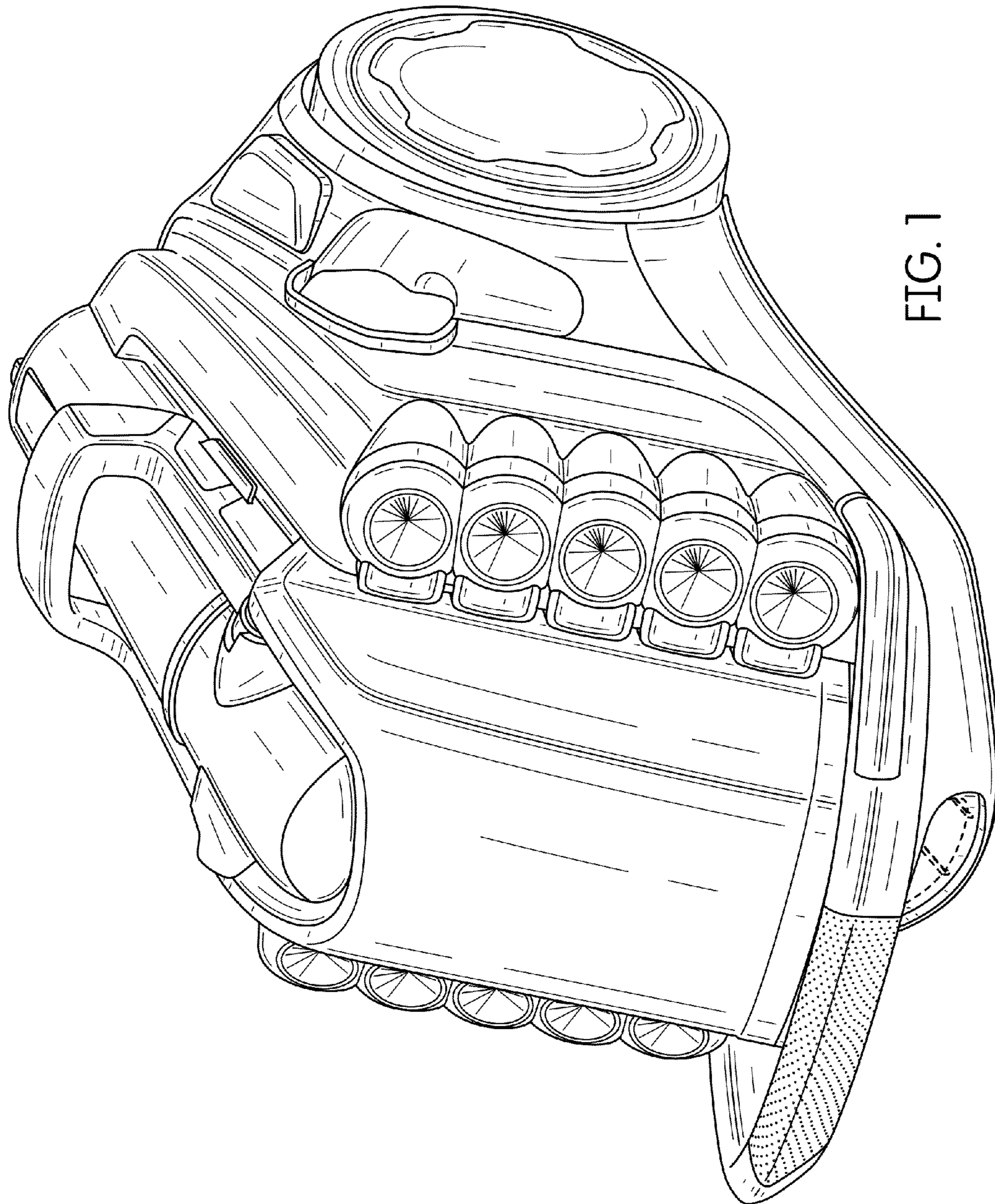


FIG. 1

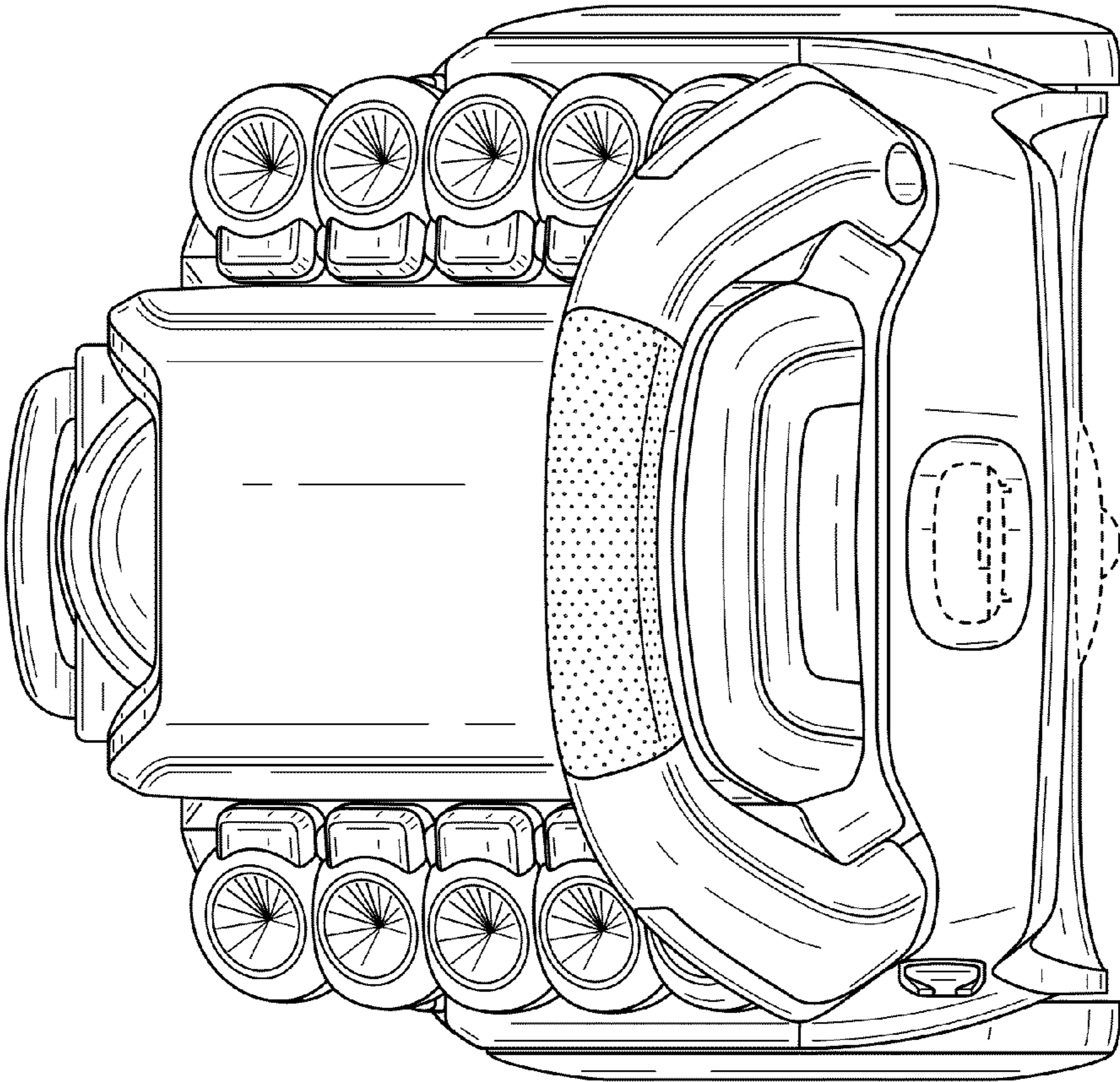


FIG. 2

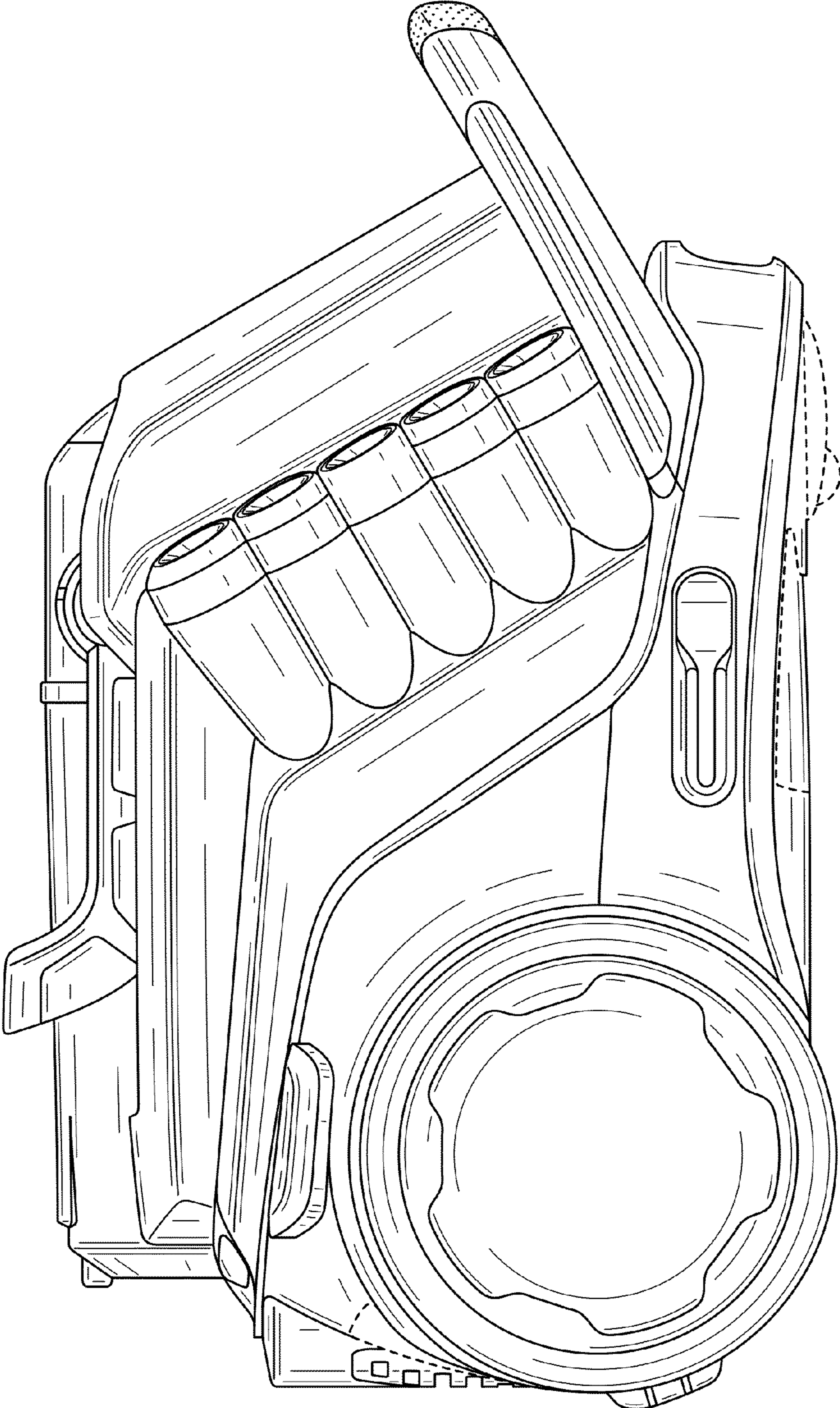


FIG. 3

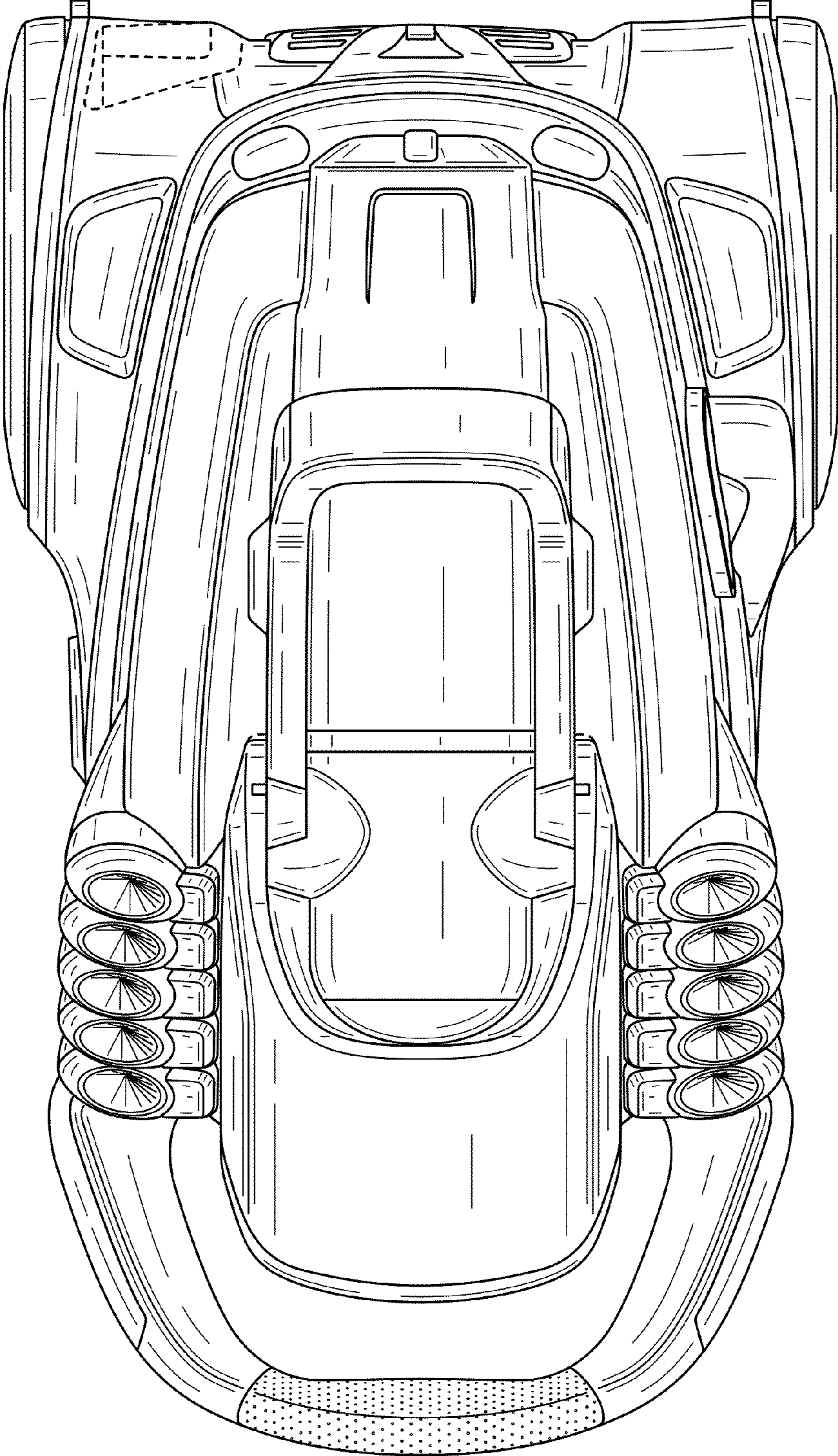


FIG. 4

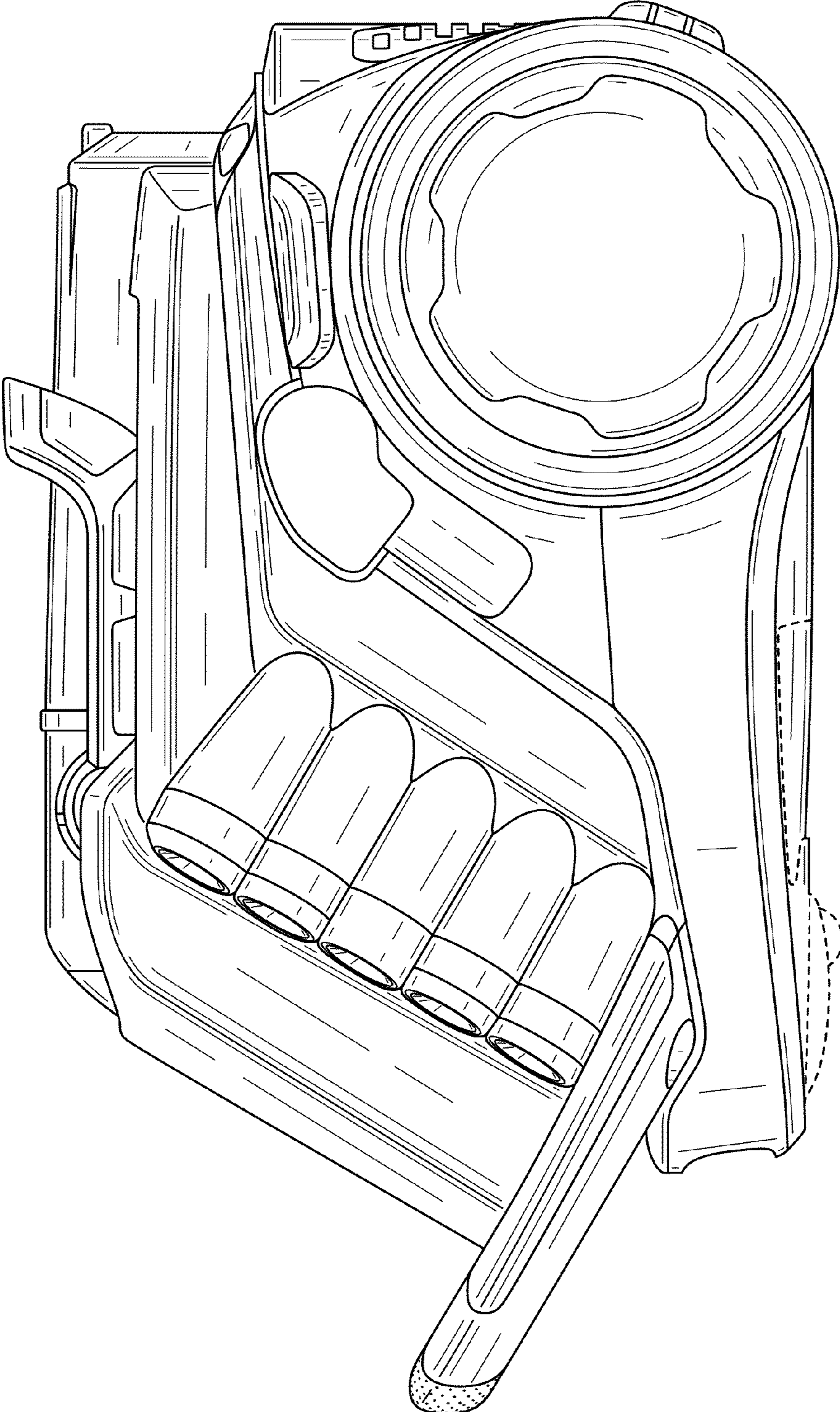


FIG. 5

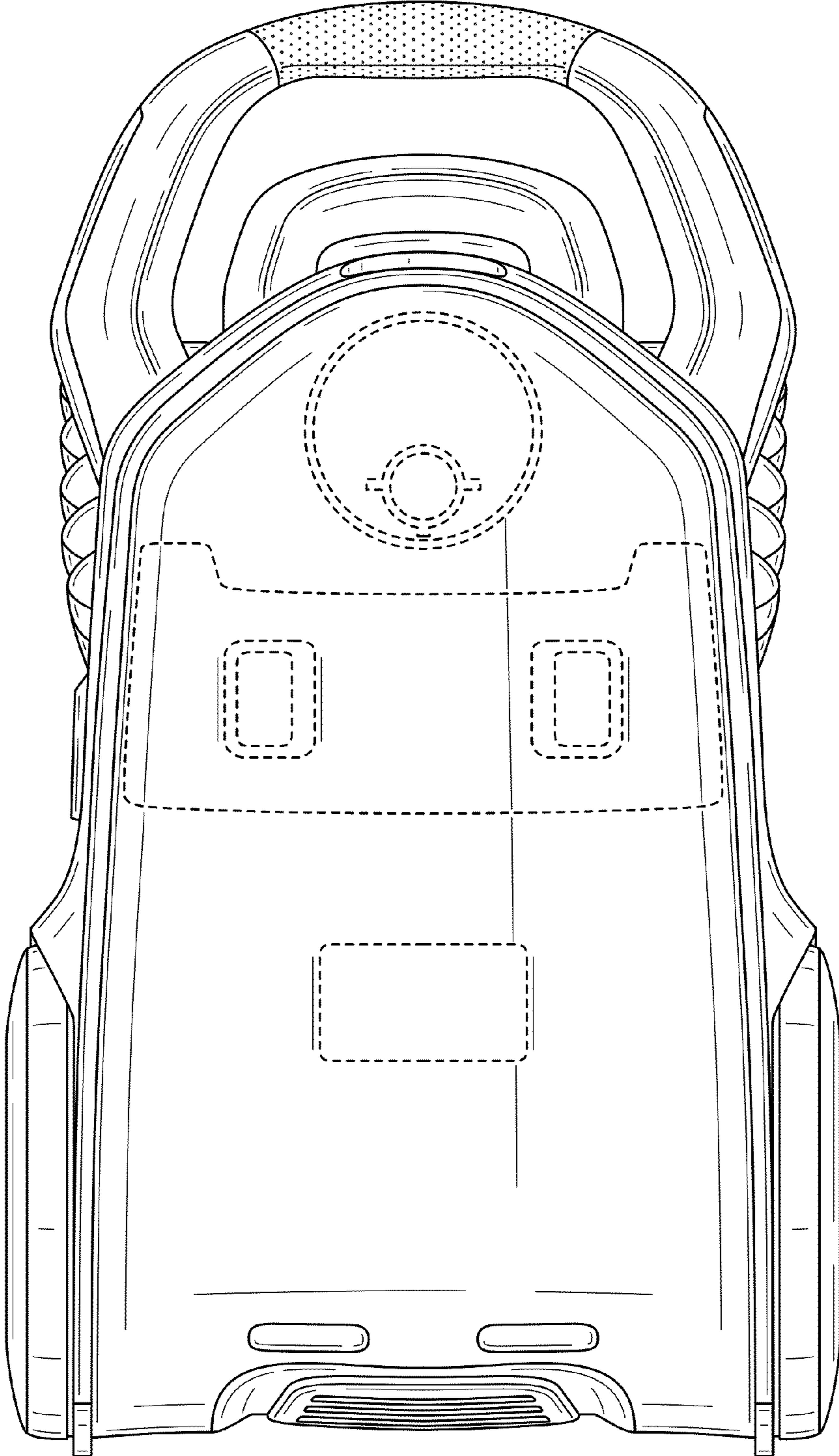


FIG. 6

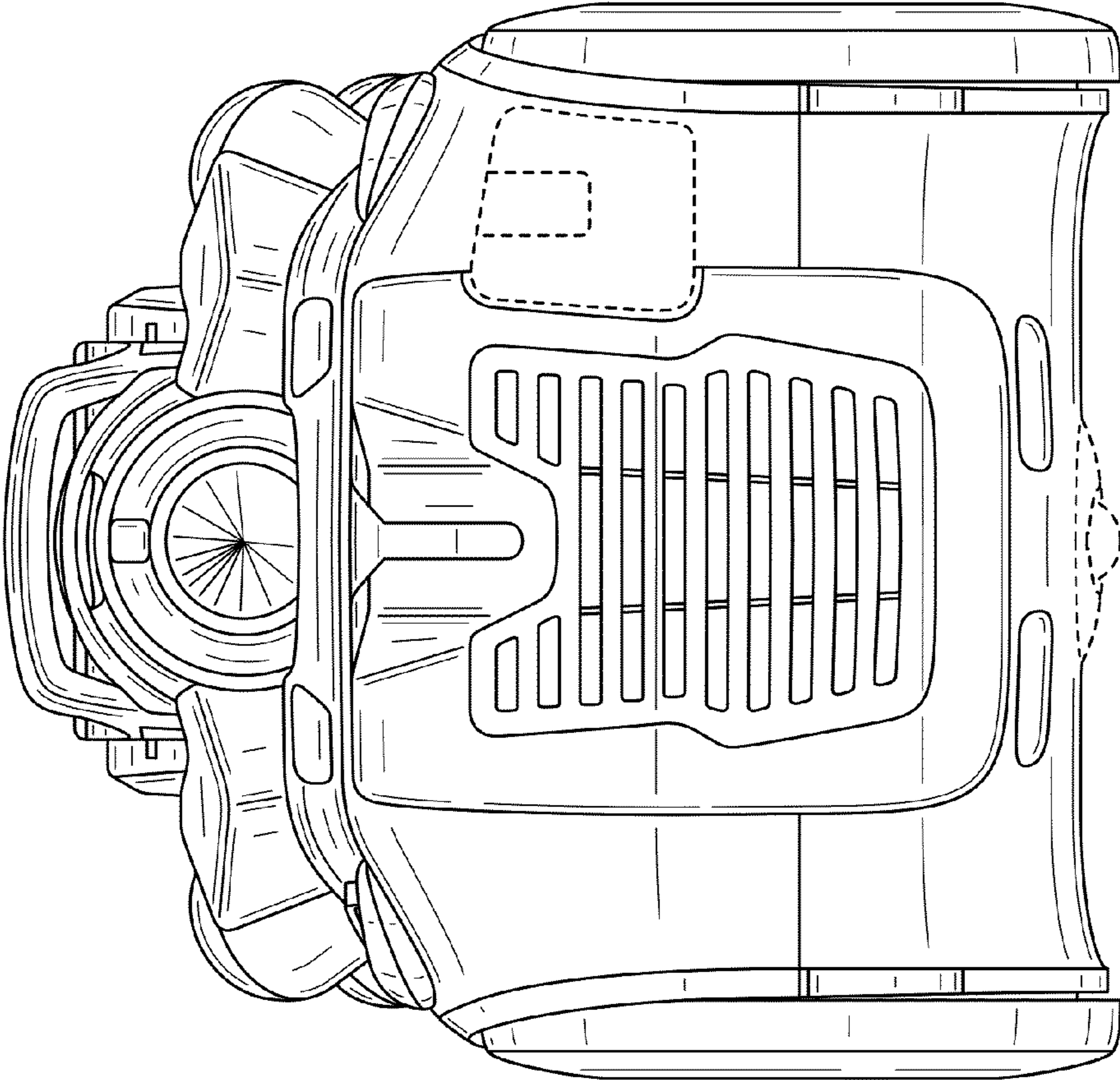


FIG. 7