



US00D718907S

(12) **United States Design Patent**
Calimano et al.

(10) **Patent No.:** **US D718,907 S**
(45) **Date of Patent:** **** Dec. 2, 2014**

(54) **ABSORBENT PET PAD**

FOREIGN PATENT DOCUMENTS

(71) Applicant: **The Clorox Company**, Oakland, CA
(US)

EP 1048206 A2 11/2000
WO 9530396 A1 11/1995

(Continued)

(72) Inventors: **Elisa Calimano**, Pleasanton, CA (US);
William Quелlette, Pleasanton, CA
(US); **Kelsey Kornaus**, Pleasanton, CA
(US); **Jason Fairbanks**, Pleasanton, CA
(US); **Surinder Bains**, Pleasanton, CA
(US)

Primary Examiner — Cathy A MacCormac
(74) *Attorney, Agent, or Firm* — Ann Lee

(73) Assignee: **The Clorox Company**, Oakland, CA
(US)

(57) **CLAIM**
The ornamental design for an absorbent pet pad.

(**) Term: **14 Years**

DESCRIPTION

(21) Appl. No.: **29/450,077**

(22) Filed: **Mar. 15, 2013**

(51) **LOC (10) Cl.** **30-99**

(52) **U.S. Cl.**
USPC **D30/161**

(58) **Field of Classification Search**
USPC D30/161; 119/161, 172, 170-171;
604/358, 386, 385.01, 378; D6/596,
D6/606; D24/124, 126
See application file for complete search history.

FIG. 1 is a top perspective view of an absorbent pet pad.
FIG. 2 is a top view of the absorbent pet pad of FIG. 1.
FIG. 3 is a left side view of the absorbent pet pad of FIG. 1 the
right side view is identical.
FIG. 4 is a front view of the absorbent pet pad of FIG. 1. The
back view is identical.
FIG. 5 is a bottom view of the absorbent pet pad of FIG. 1;
FIG. 6 is a cross-sectional view taken along line 6-6 on FIG.
2;
FIG. 7 is a top perspective view of second embodiment of an
absorbent pet pad.
FIG. 8 is a top view of the absorbent pet pad of FIG. 7.
FIG. 9 is a left side view of the absorbent pet pad of FIG. 7.
The right side view is identical.
FIG. 10 is a front view of the absorbent pet pad of FIG. 7. The
back view is identical.
FIG. 11 is a bottom view of the absorbent pet pad of FIG. 7;
and,
FIG. 12 is a cross-sectional view taken along line 12-12.
The absorbent pet pad is shown with breaks in its width. The
appearance of any portion of the article between the break
lines forms no part of the claimed design.

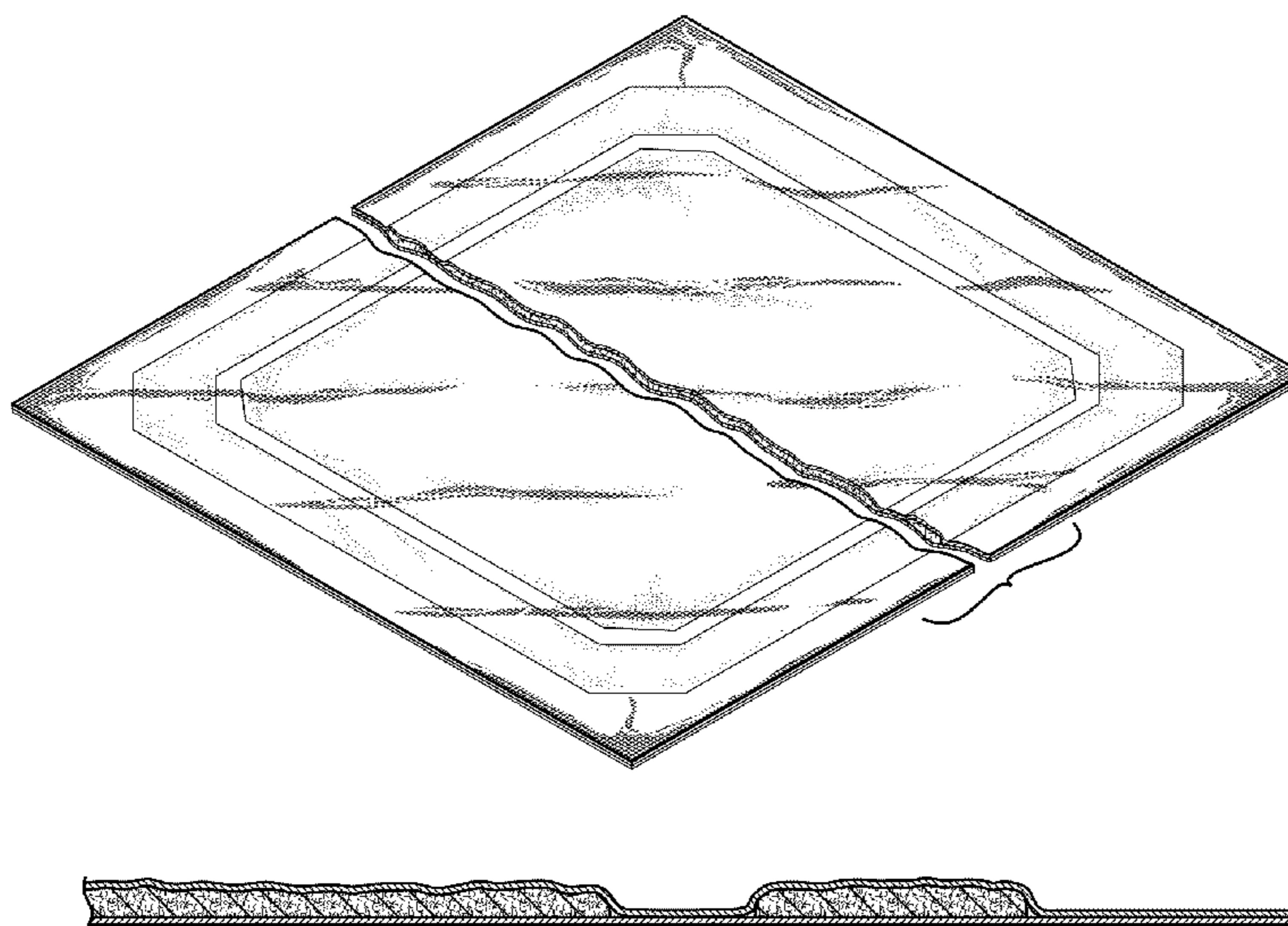
(56) **References Cited**

U.S. PATENT DOCUMENTS

5,252,374	A	10/1993	Larsonneur	
5,579,722	A	12/1996	Yamamoto et al.	
5,630,376	A	5/1997	Ochi et al.	
5,785,696	A	7/1998	Inoue et al.	
5,797,347	A	8/1998	Ochi	
5,866,242	A	2/1999	Tan et al.	
5,891,120	A	4/1999	Chmielewski	
5,939,088	A *	8/1999	Ito et al.	424/414
6,068,620	A	5/2000	Chmielewski	

(Continued)

1 Claim, 4 Drawing Sheets



(56)

References Cited

U.S. PATENT DOCUMENTS

6,225,524 B1 5/2001 Guarracino et al.
 6,227,145 B1 5/2001 Miyamoto et al.
 6,244,216 B1 6/2001 Ochi
 6,460,484 B2* 10/2002 Ikegami et al. 119/169
 6,645,597 B1* 11/2003 Swain 604/378
 6,976,451 B2* 12/2005 Helfman 119/169
 7,231,888 B1 6/2007 Kelly et al.
 7,249,570 B1 7/2007 Roberson
 7,678,221 B2* 3/2010 Takahashi et al. 119/171
 D636,135 S* 4/2011 Spurgeon D30/161
 8,334,424 B2* 12/2012 Szyпка 604/358
 8,388,589 B2* 3/2013 Kaneko et al. 604/385.01
 8,460,690 B2* 6/2013 Downs 424/411
 2001/0042517 A1 11/2001 Ikegami et al.
 2001/0042518 A1 11/2001 Ikegami et al.
 2002/0000206 A1 1/2002 Ikegami et al.
 2002/0016122 A1 2/2002 Curro et al.
 2002/0115971 A1 8/2002 Holmes et al.
 2003/0012919 A1 1/2003 Dutkiewicz et al.
 2003/0082966 A1 5/2003 Menday et al.
 2003/0087086 A1 5/2003 Koslow et al.
 2003/0094140 A1 5/2003 Otsuji et al.
 2003/0097996 A1 5/2003 Lippincott
 2005/0109284 A1 5/2005 Helfman
 2005/0166855 A1 8/2005 Kaneko et al.

2005/0166856 A1 8/2005 Kaneko et al.
 2006/0200104 A1 9/2006 Kaneko et al.
 2006/0200105 A1 9/2006 Takahashi et al.
 2008/0012174 A1 1/2008 Takahashi et al.
 2008/0156433 A1 7/2008 Szyпка
 2008/0236504 A1* 10/2008 Silverman 119/169
 2008/0271679 A1 11/2008 Kaneko et al.
 2009/0000557 A1 1/2009 Takahashi et al.
 2009/0000561 A1 1/2009 Takahashi et al.
 2009/0044756 A1 2/2009 Otsuji et al.
 2009/0194454 A1* 8/2009 Wong et al. 206/581
 2009/0270823 A1 10/2009 Meizelman
 2011/0139082 A1 6/2011 Blagden
 2011/0146581 A1 6/2011 Sasano et al.
 2012/0118239 A1 5/2012 Jacquart
 2012/0132147 A1 5/2012 Cheng
 2012/0152175 A1 6/2012 Li
 2012/0325160 A1 12/2012 Goldberg
 2013/0014702 A1 1/2013 Szyпка
 2013/0206076 A1* 8/2013 Komatsubara et al. 119/171

FOREIGN PATENT DOCUMENTS

WO 9746192 A1 12/1997
 WO 9838040 A1 9/1998
 WO 200620213 A2 2/2006
 WO 2012104727 A1 8/2012

* cited by examiner

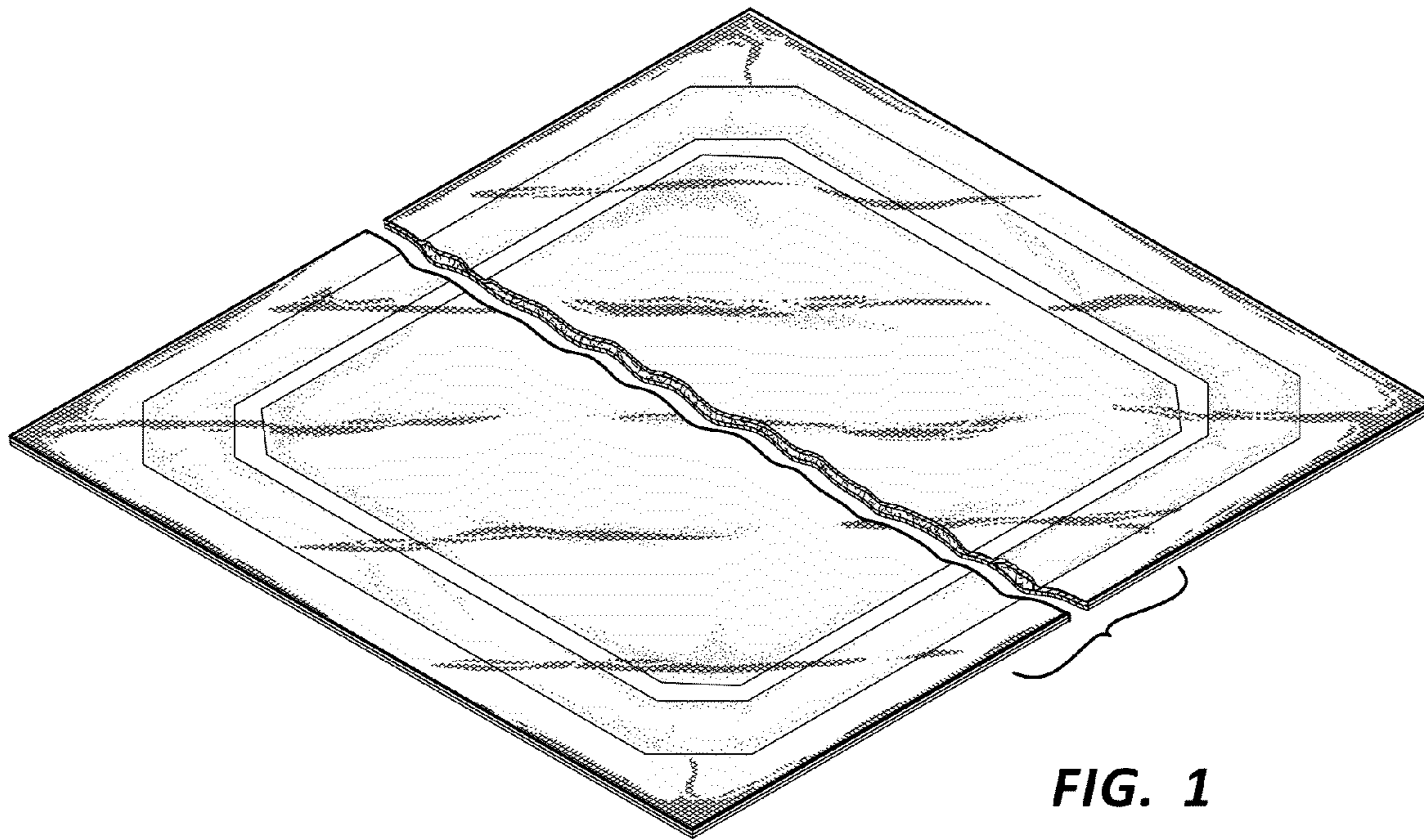


FIG. 1

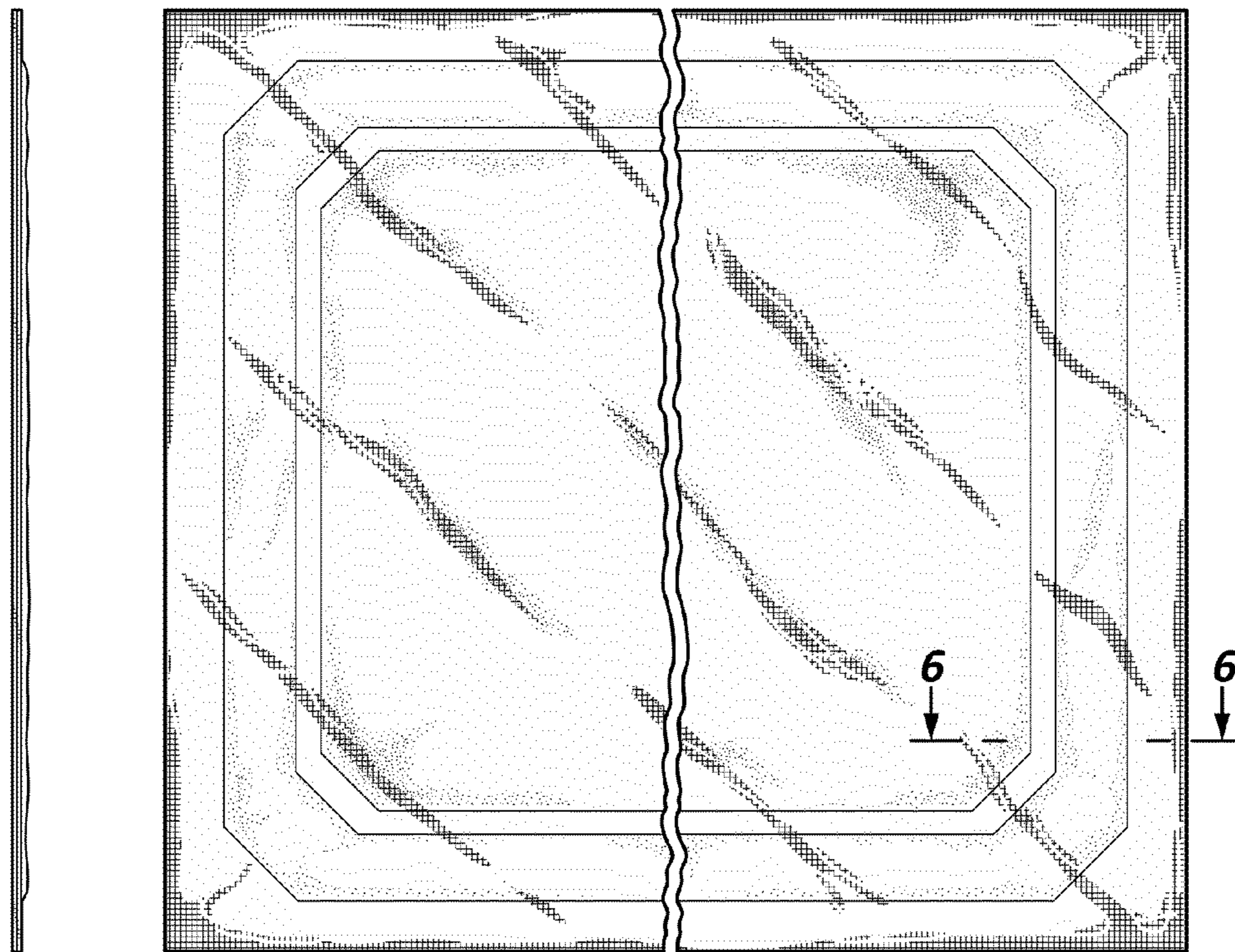


FIG. 2

FIG. 3

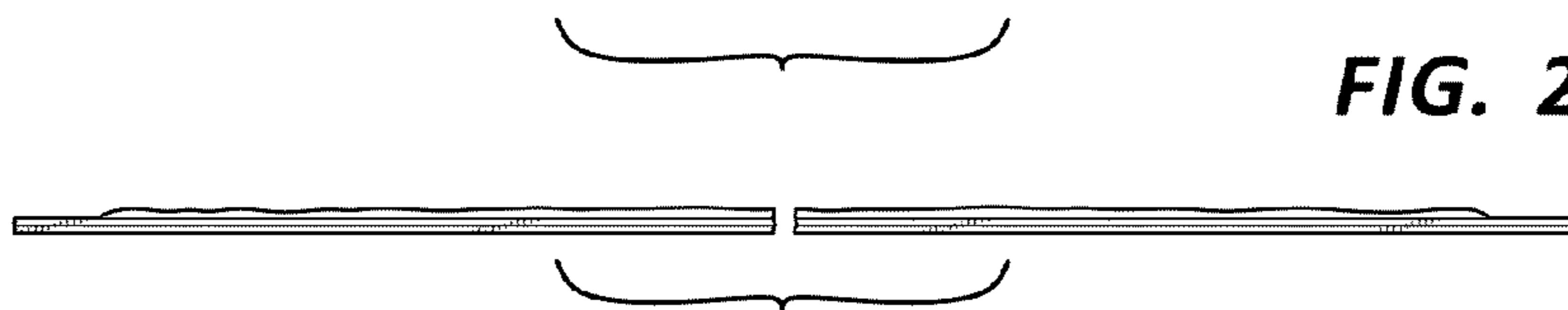


FIG. 4

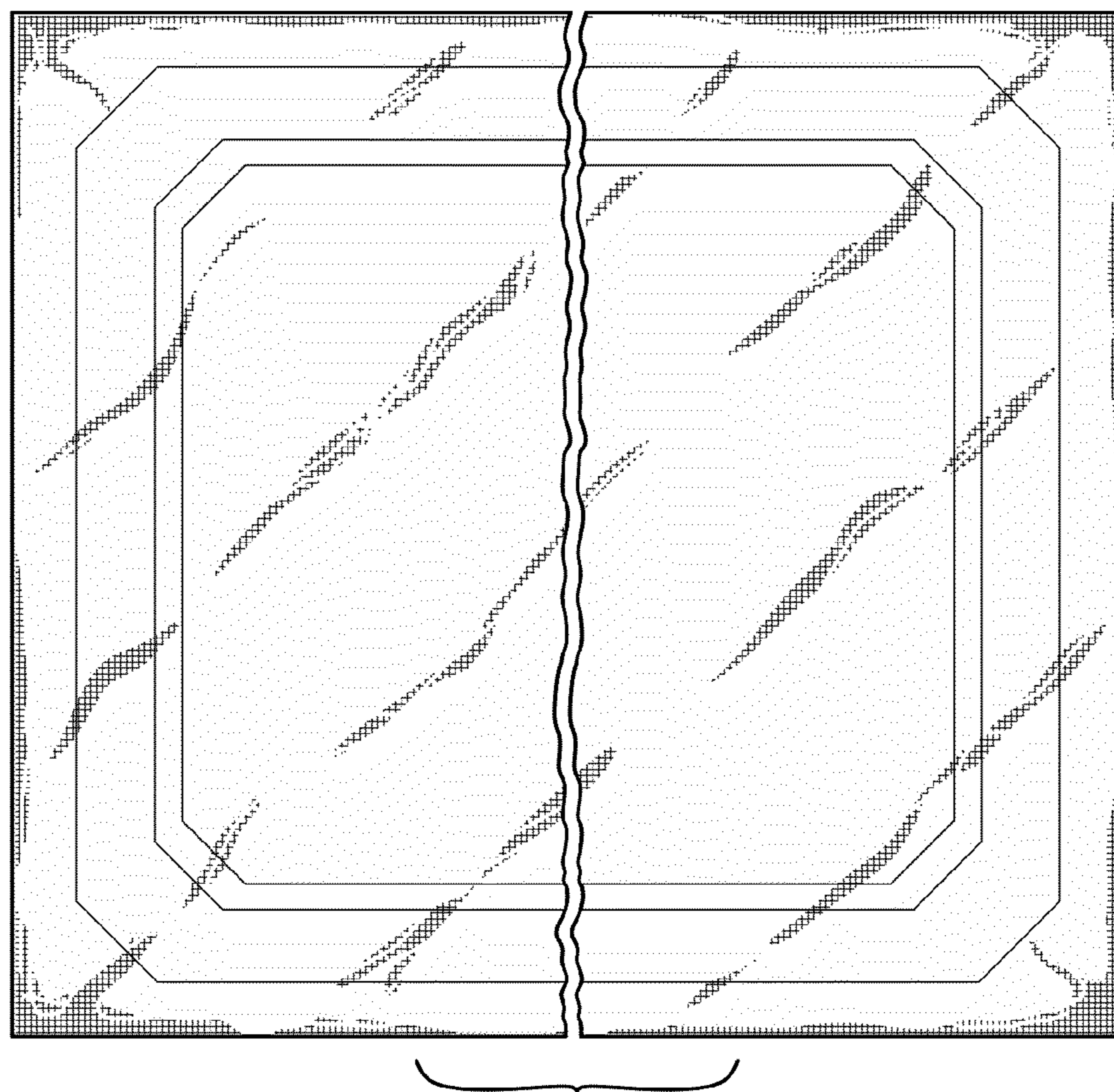


FIG. 5

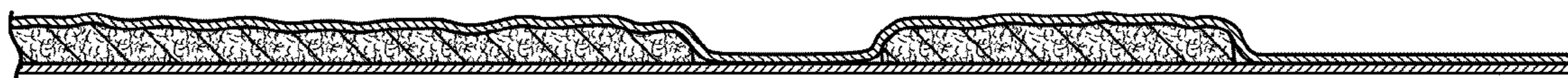


FIG. 6

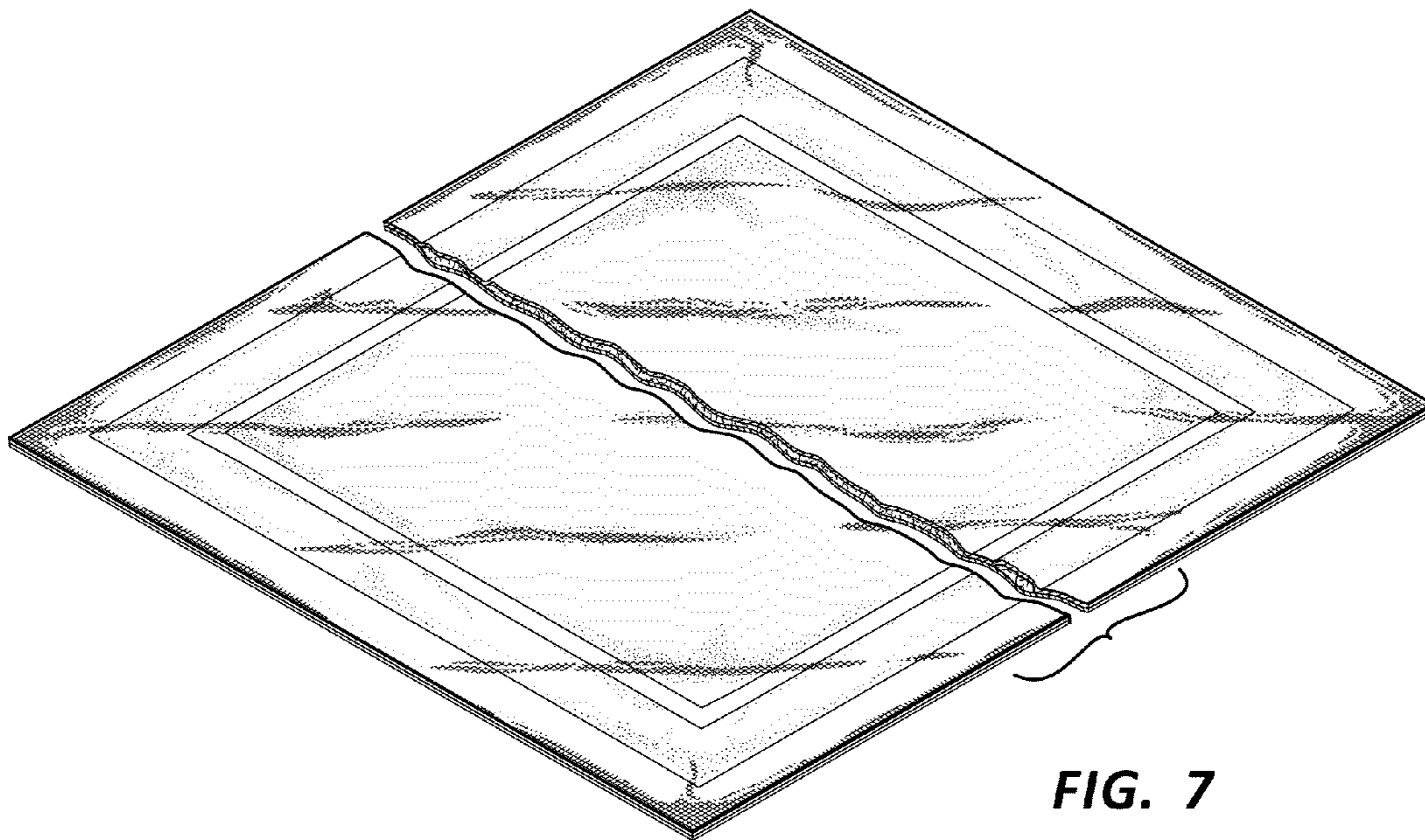


FIG. 7

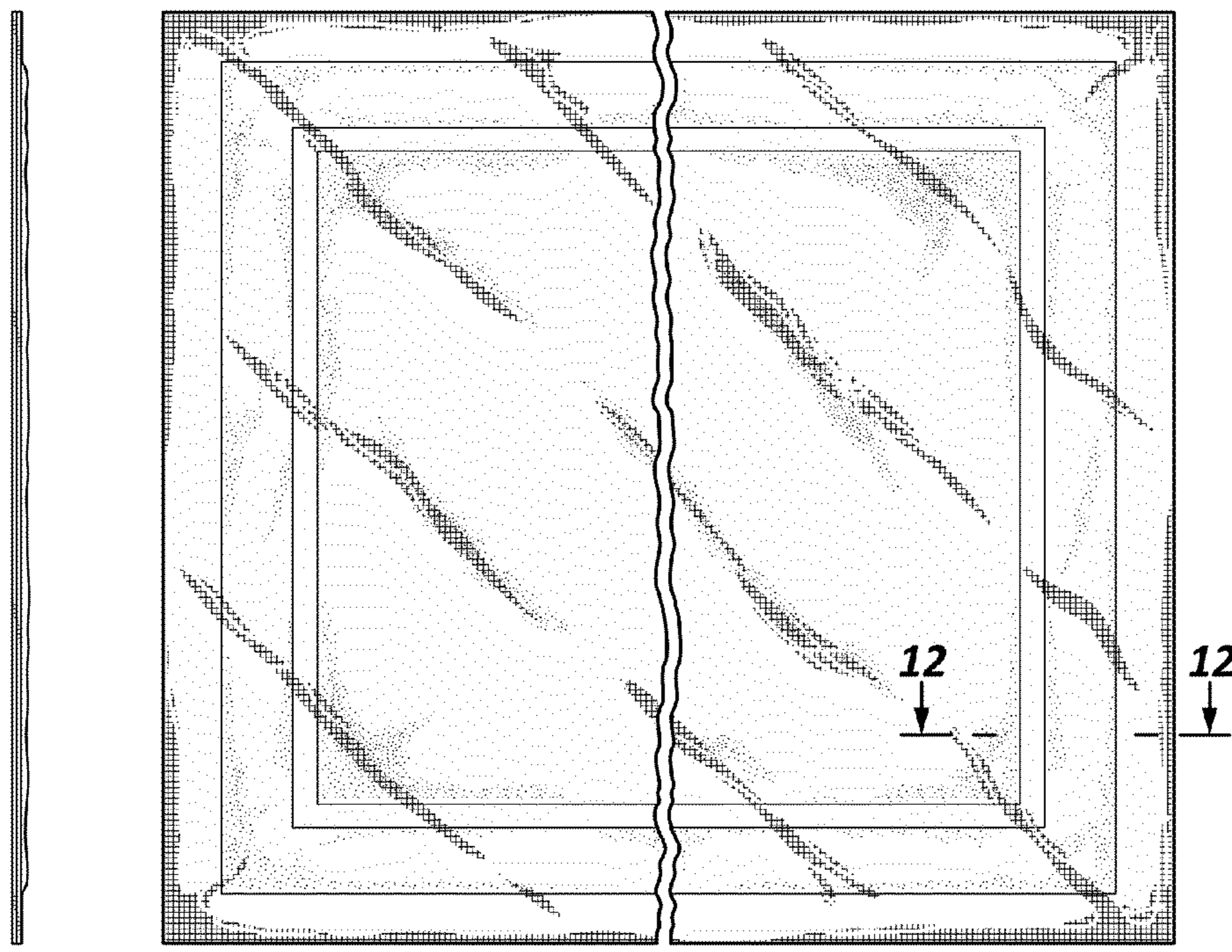


FIG. 9

FIG. 8



FIG. 10

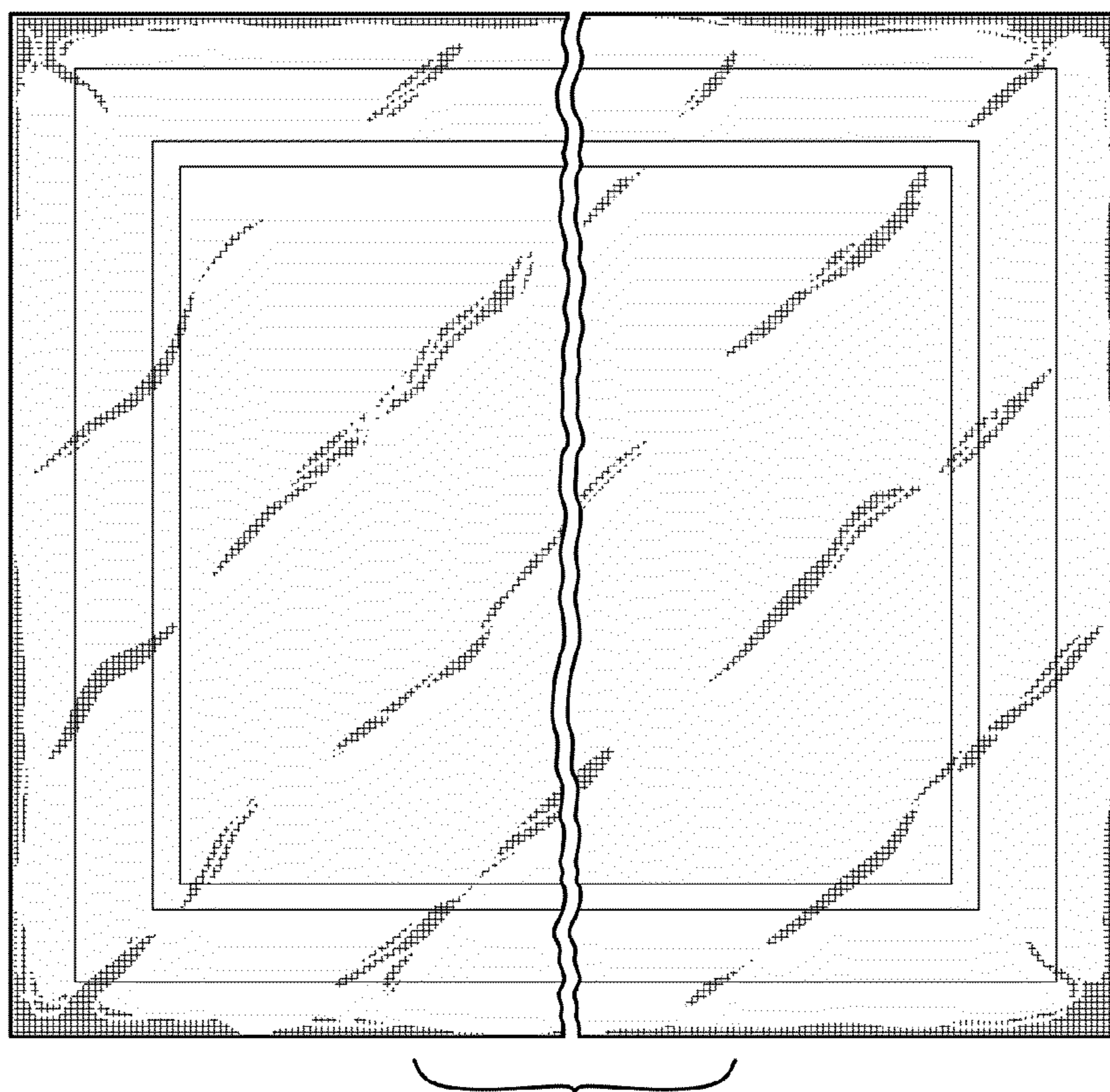


FIG. 11



FIG. 12